



US00D496123S1

(12) **United States Design Patent**  
**Blackman**

(10) **Patent No.:** **US D496,123 S**

(45) **Date of Patent:** **\*\* Sep. 14, 2004**

(54) **SHOP LIGHT FIXTURE**

2003/0202347 A1 \* 10/2003 Chelf et al. .... 362/225

(75) **Inventor:** **Stephen Blackman**, Buffalo Grove, IL (US)

\* cited by examiner

*Primary Examiner*—Clare E Heflin

(73) **Assignee:** **American Fluorescent Corporation**, Waukegan, IL (US)

(74) *Attorney, Agent, or Firm*—Gerald M. Newman

(\*\*) **Term:** **14 Years**

(57) **CLAIM**

The ornamental design for a shop light fixture, as shown and described.

(21) **Appl. No.:** **29/196,154**

**DESCRIPTION**

(22) **Filed:** **Dec. 24, 2003**

(51) **LOC (7) Cl.** ..... **26-03**

FIG. 1 is an isometric view of a shop light fixture embodying my new design.

(52) **U.S. Cl.** ..... **D26/76**

FIG. 2 is a front elevational view of the design shown in FIG. 1.

(58) **Field of Search** ..... D26/72, 75-79;  
362/217-225, 147, 404-408

FIG. 3 is a right elevational view of the design shown in FIG. 1, enlarged 2x for clarity.

(56) **References Cited**

**U.S. PATENT DOCUMENTS**

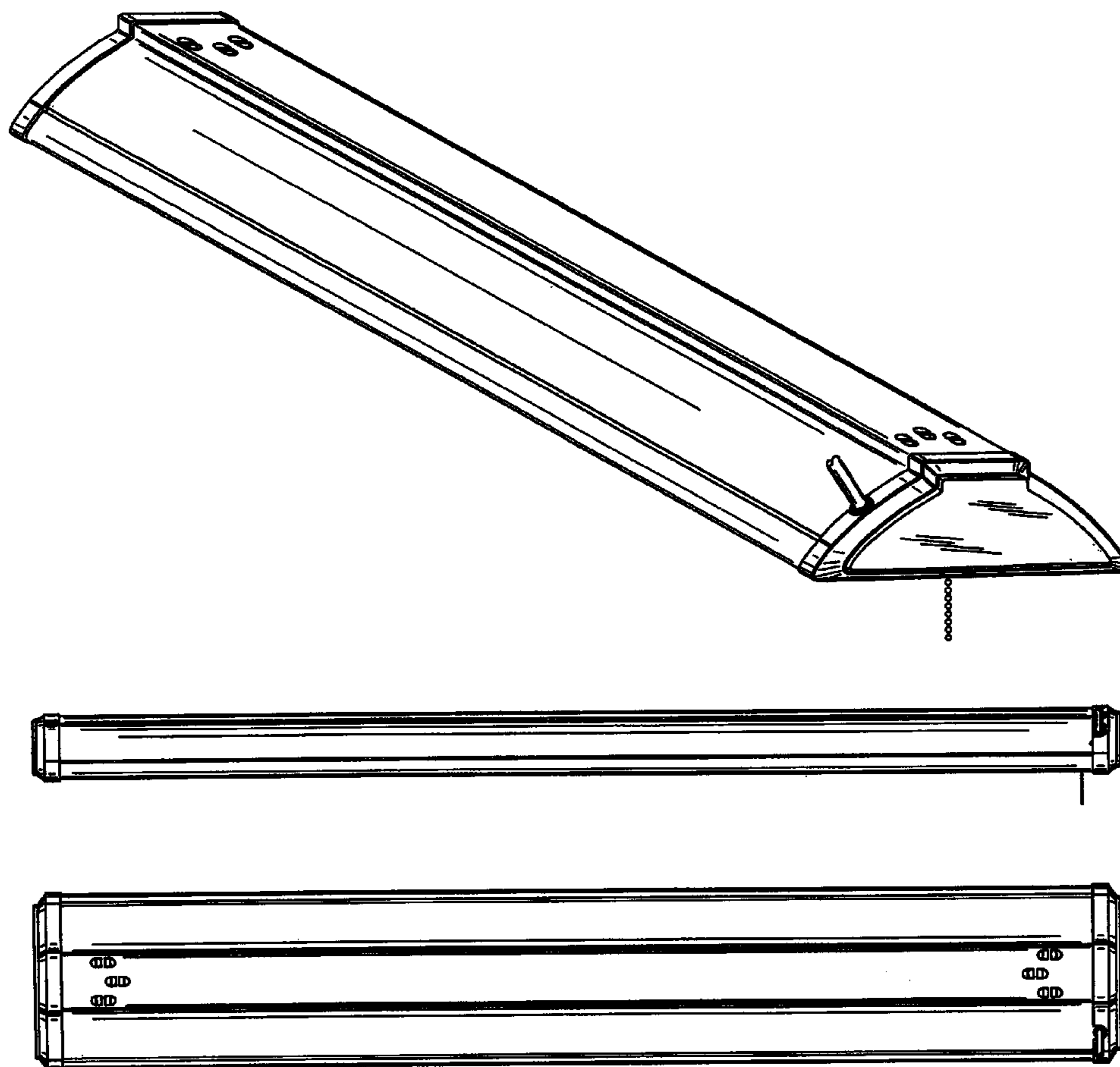
D122,861 S	*	10/1940	Carter, Jr.	.....	D26/77
2,346,315 A	*	4/1944	Barnett	.....	362/221
2,433,819 A	*	12/1947	Scribner	.....	248/343
2,523,394 A	*	9/1950	Franck et al.	.....	362/224
2,820,884 A	*	1/1958	Yetman	.....	362/217
D463,879 S	*	10/2002	Mier-Langner et al.	.....	D26/77

FIG. 4 is a top plan view of the design shown in FIG. 1.  
FIG. 5 is a rear elevational view of the design shown in FIG. 1.

FIG. 6 is a left side elevational view of the design shown in FIG. 1, enlarged 2x for clarity; and,

FIG. 7 is a bottom plan view of the design shown in FIG. 1.

**1 Claim, 3 Drawing Sheets**



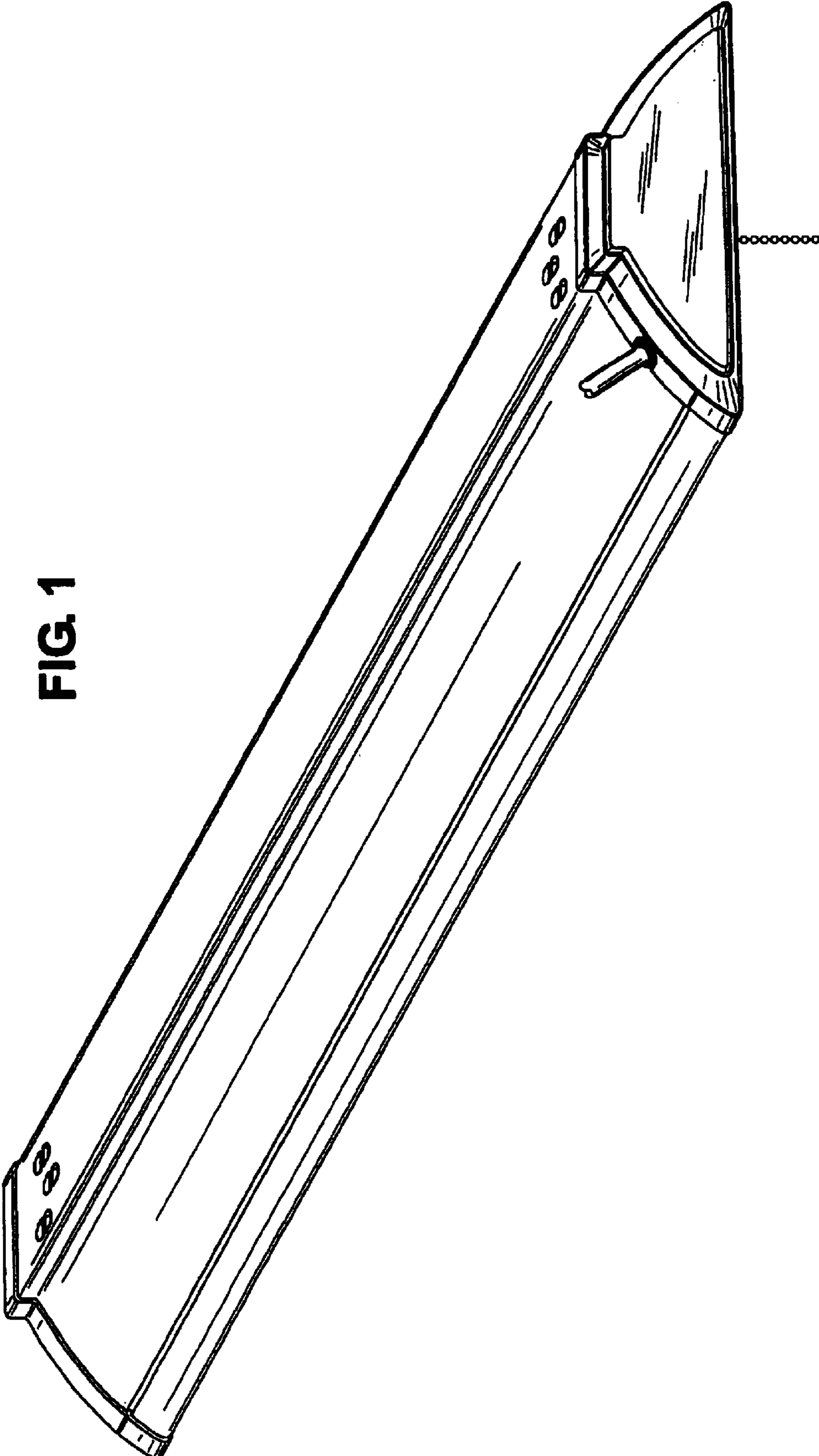
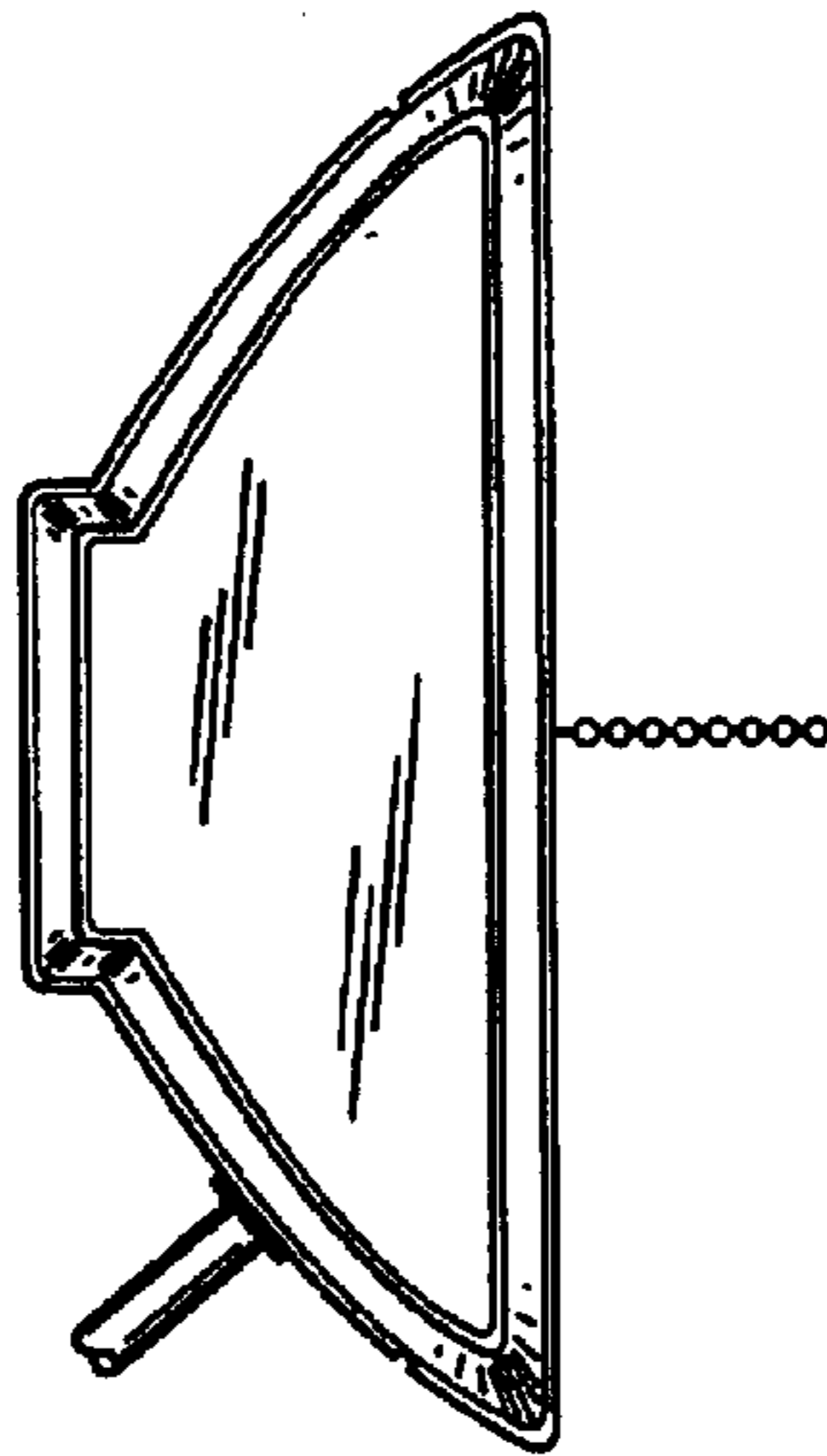


FIG. 1

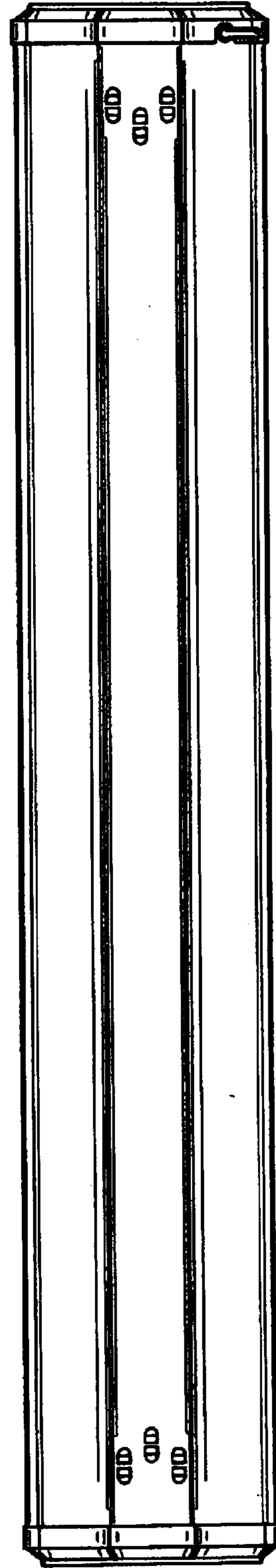
**FIG. 2**



**FIG. 3**



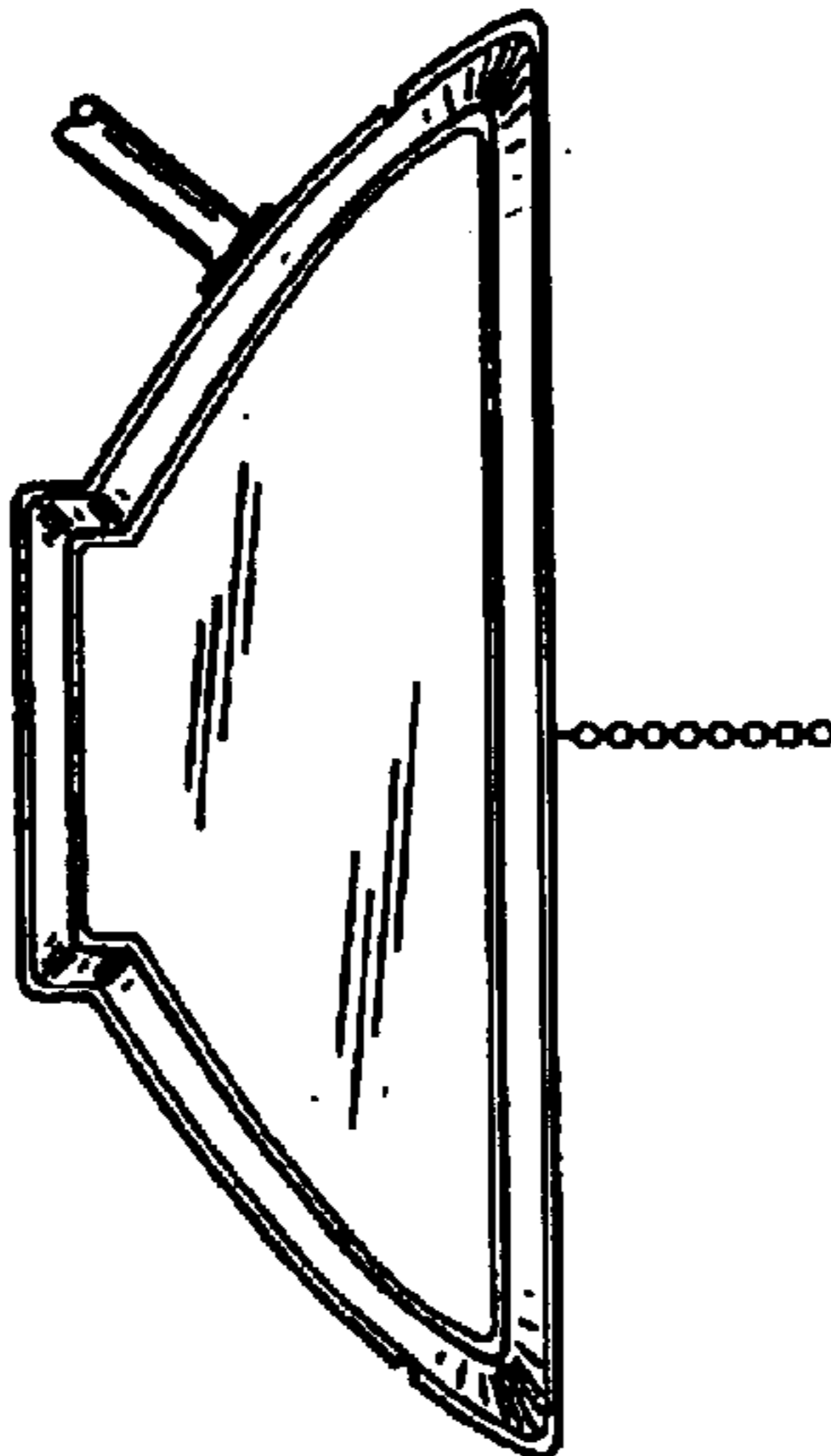
**FIG. 4**



**FIG. 5**



**FIG. 6**



**FIG. 7**

