

US00D496120S1

(12) **United States Design Patent**
Cooper et al.

(10) **Patent No.:** **US D496,120 S**
(45) **Date of Patent:** **** Sep. 14, 2004**

(54) **LIGHT POLE**

(75) Inventors: **Alexander Cooper**, Englewood, NJ (US); **E. Keith Orlesky**, Maplewood, NJ (US); **Michel Dionne**, Roxbury, NY (US)

(73) Assignee: **Alliance For Downtown New York**, NY (US)

(**) Term: **14 Years**

(21) Appl. No.: **29/182,575**

(22) Filed: **May 27, 2003**

(51) **LOC (7) Cl.** **26-05**

(52) **U.S. Cl.** **D26/71**

(58) **Field of Search** D26/24, 67-73, D26/84-92; D10/114; 362/145, 147, 153, 153.1, 186, 257, 276, 312, 330, 351, 354, 358, 361-363, 431-433, 806

(56) **References Cited**

U.S. PATENT DOCUMENTS

D42,283 S	*	3/1912	Grelle	D26/69
D69,100 S	*	12/1925	Vietor	D26/68
D92,291 S	*	5/1934	Clarke	D26/68
D153,196 S	*	3/1949	Winters	D26/68
D200,593 S	*	3/1965	Petengill	D26/145
3,270,480 A	*	9/1966	Beecker	362/431
3,671,738 A	*	6/1972	Beachley	362/431
3,686,498 A	*	8/1972	Meyer	362/431
3,837,752 A	*	9/1974	Shewchuk	403/2
3,847,334 A	*	11/1974	Forsberg et al.	248/158
3,977,641 A	*	8/1976	Garchinsky	248/274.1

OTHER PUBLICATIONS

Downtown New York Streetscape Plan, Jan. 1999.
Picture, S (Street) Pole Prototype, Jun. 2001.
Picture, P (Pedestrian) Pole Prototype, Jun. 2001.

* cited by examiner

Primary Examiner—Clare E Heflin

(74) *Attorney, Agent, or Firm*—Milbank, Tweed, Hadley & McCloy LLP

(57) **CLAIM**

The ornamental design for a light pole, as shown and described.

DESCRIPTION

FIG. 1 is a right side elevation view of a light pole showing our new design;

FIG. 2 is a top plan view thereof;

FIG. 3 is a back side elevation view thereof;

FIG. 4 is a front side elevation view thereof;

FIG. 5 is a bottom plan view thereof;

FIG. 6 is a cross-sectional view thereof, as indicated in the section line 6—6 in FIG. 1;

FIG. 7 is a cross-sectional view thereof, as indicated in the section line 7—7 in FIG. 1;

FIG. 8 is a cross-sectional view thereof, as indicated in the section line 8—8 in FIG. 1;

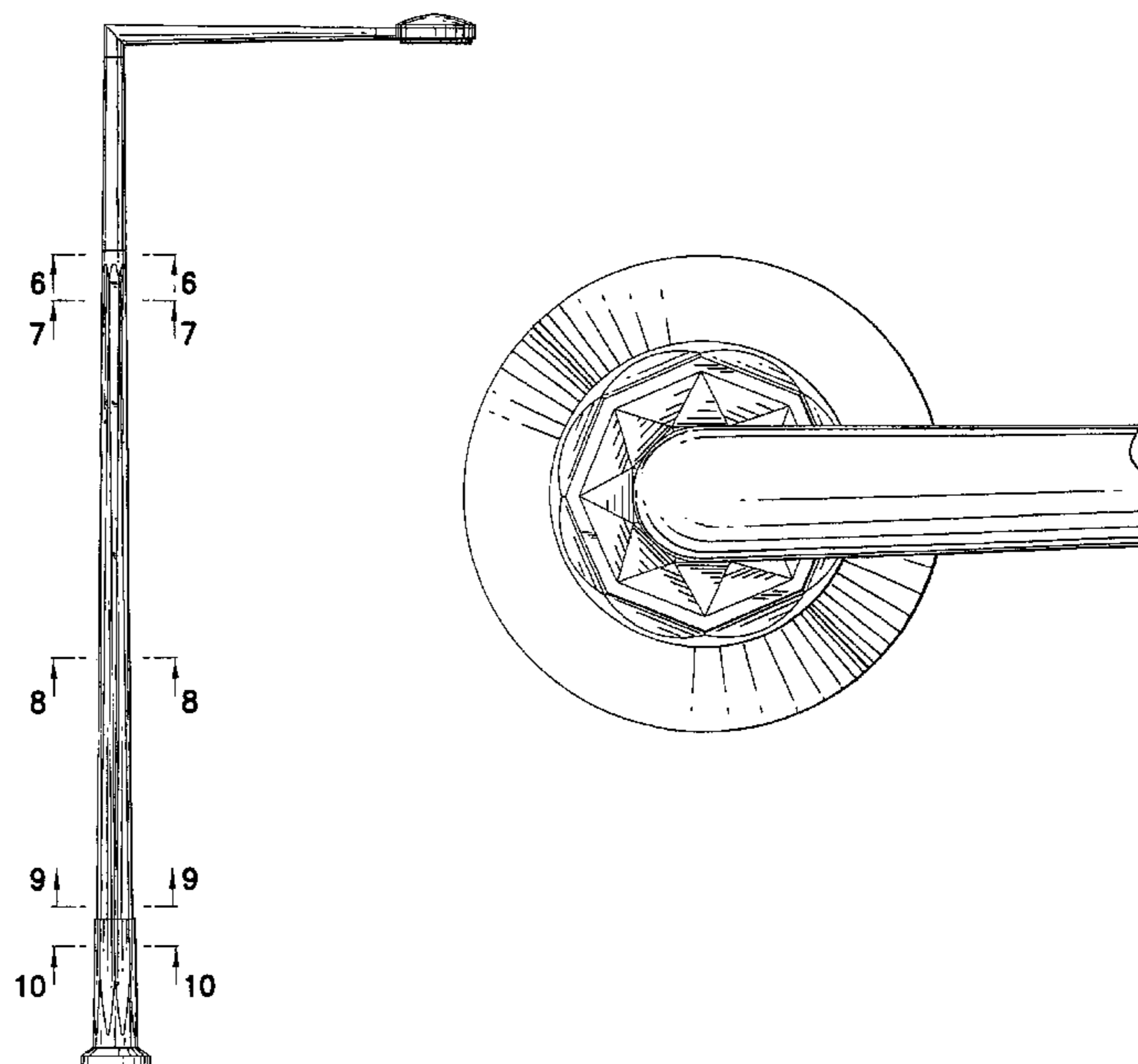
FIG. 9 is a cross-sectional view thereof, as indicated in the section line 9—9 in FIG. 1;

FIG. 10 is a cross-sectional view thereof, as indicated in the section line 10—10 in FIG. 1; and,

FIG. 11 is an enlarged view thereof as illustrated in FIG. 2.

The left side elevation view is a mirror image of the right side elevation view in FIG. 1, and the bottom of the light pole forms no part of the claimed design.

1 Claim, 3 Drawing Sheets



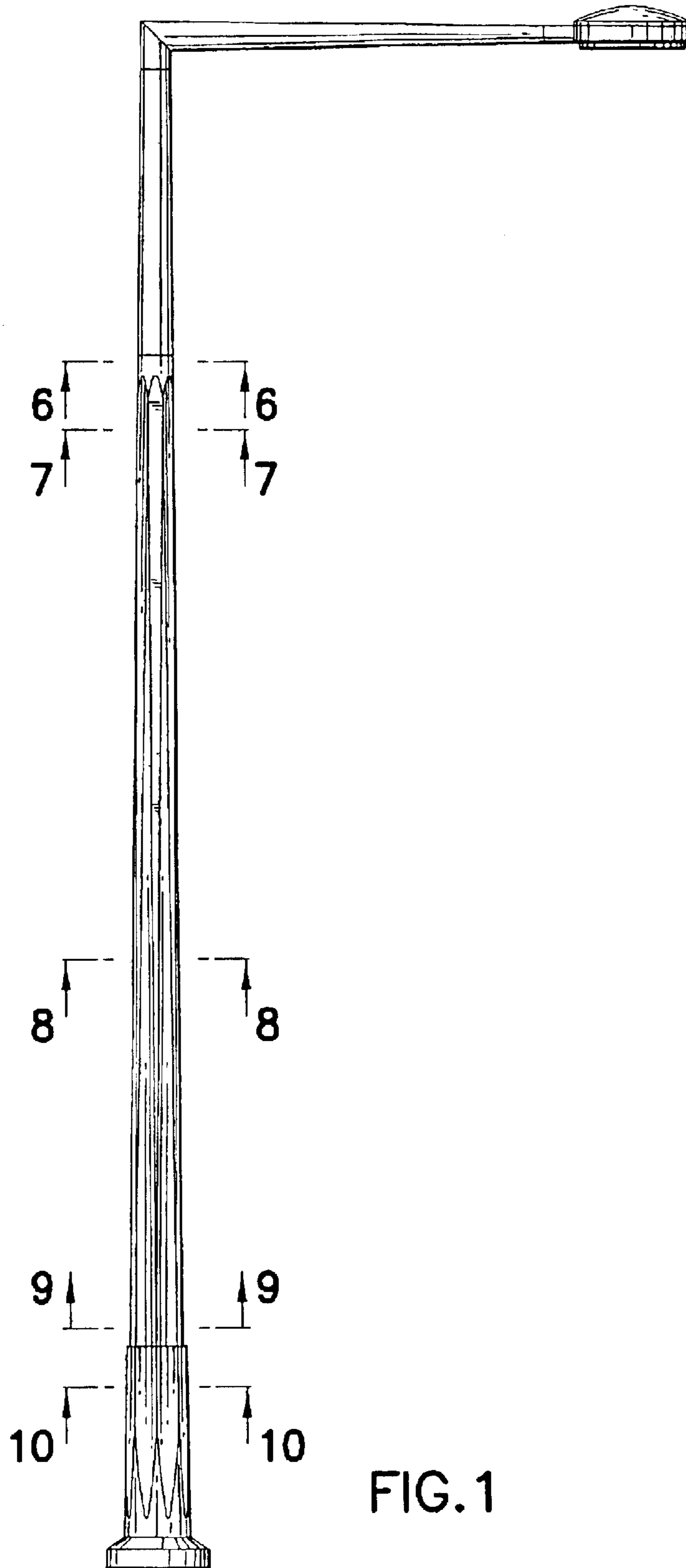


FIG. 1

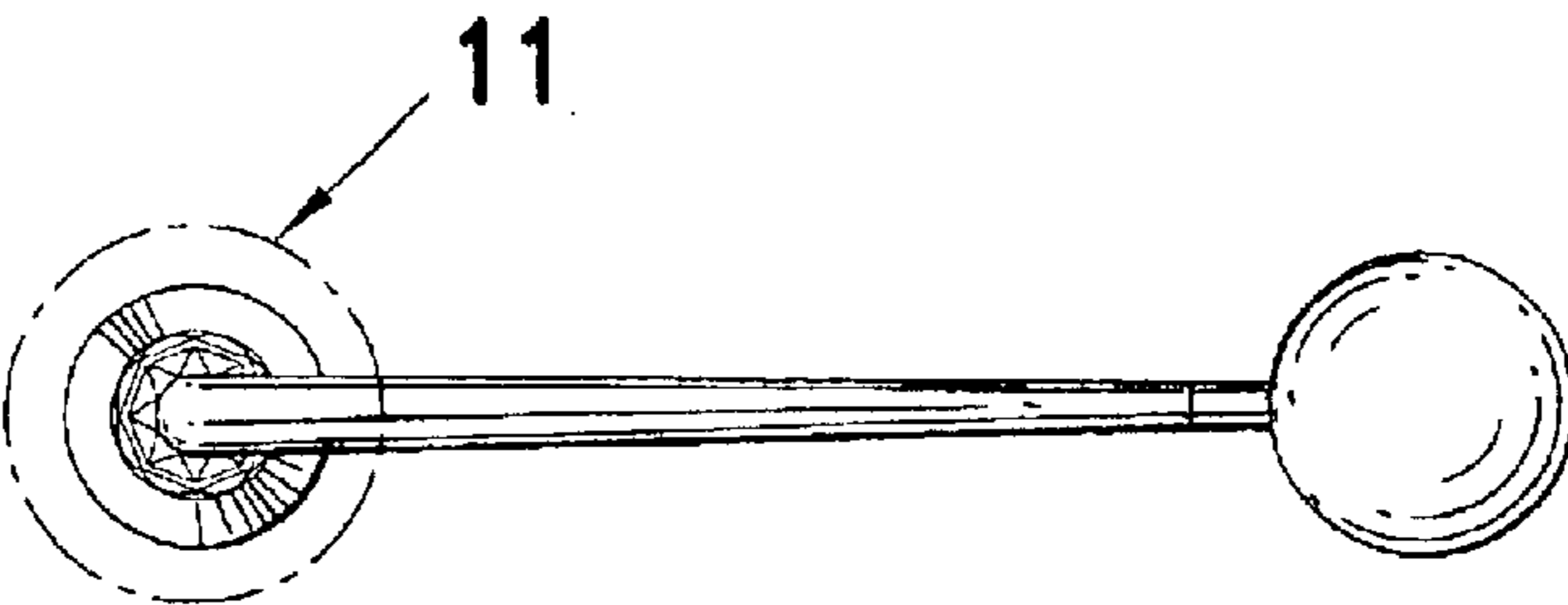
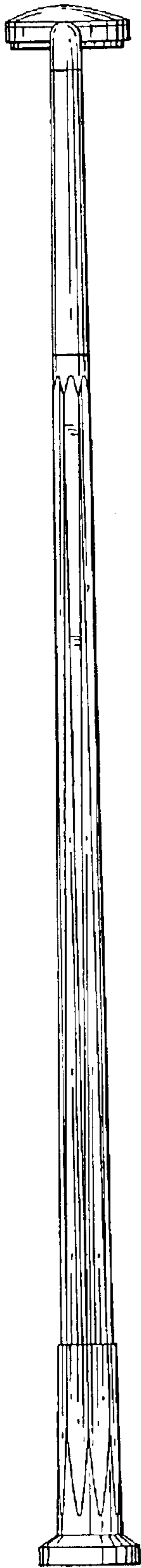


FIG. 2



FIG. 5

FIG. 3

FIG. 4

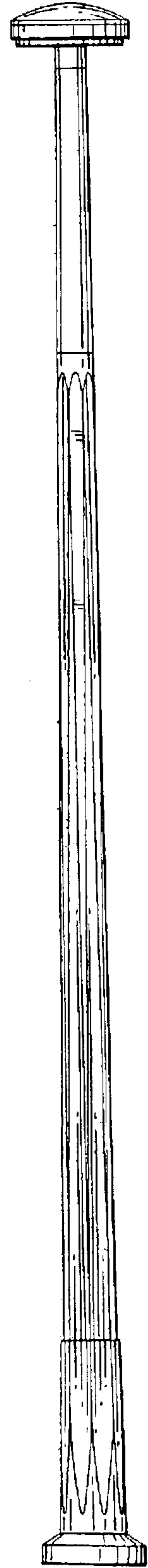


FIG.6

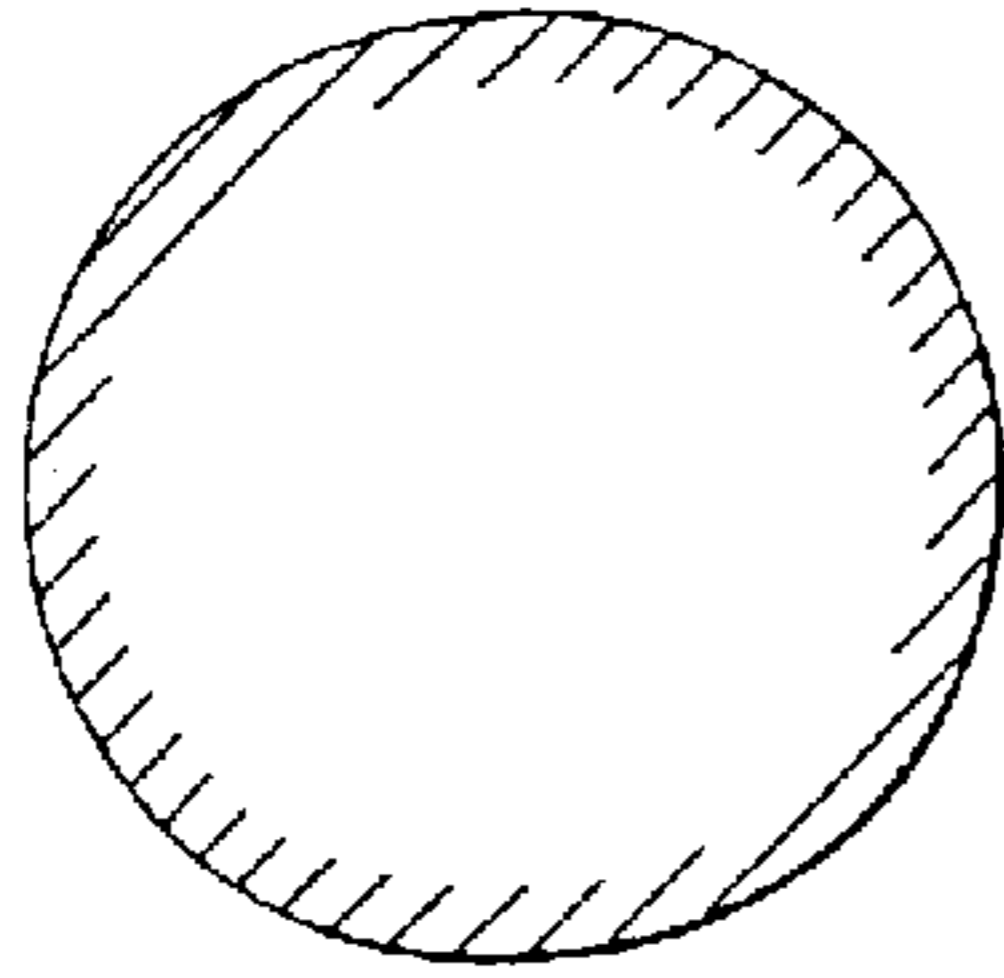


FIG.8

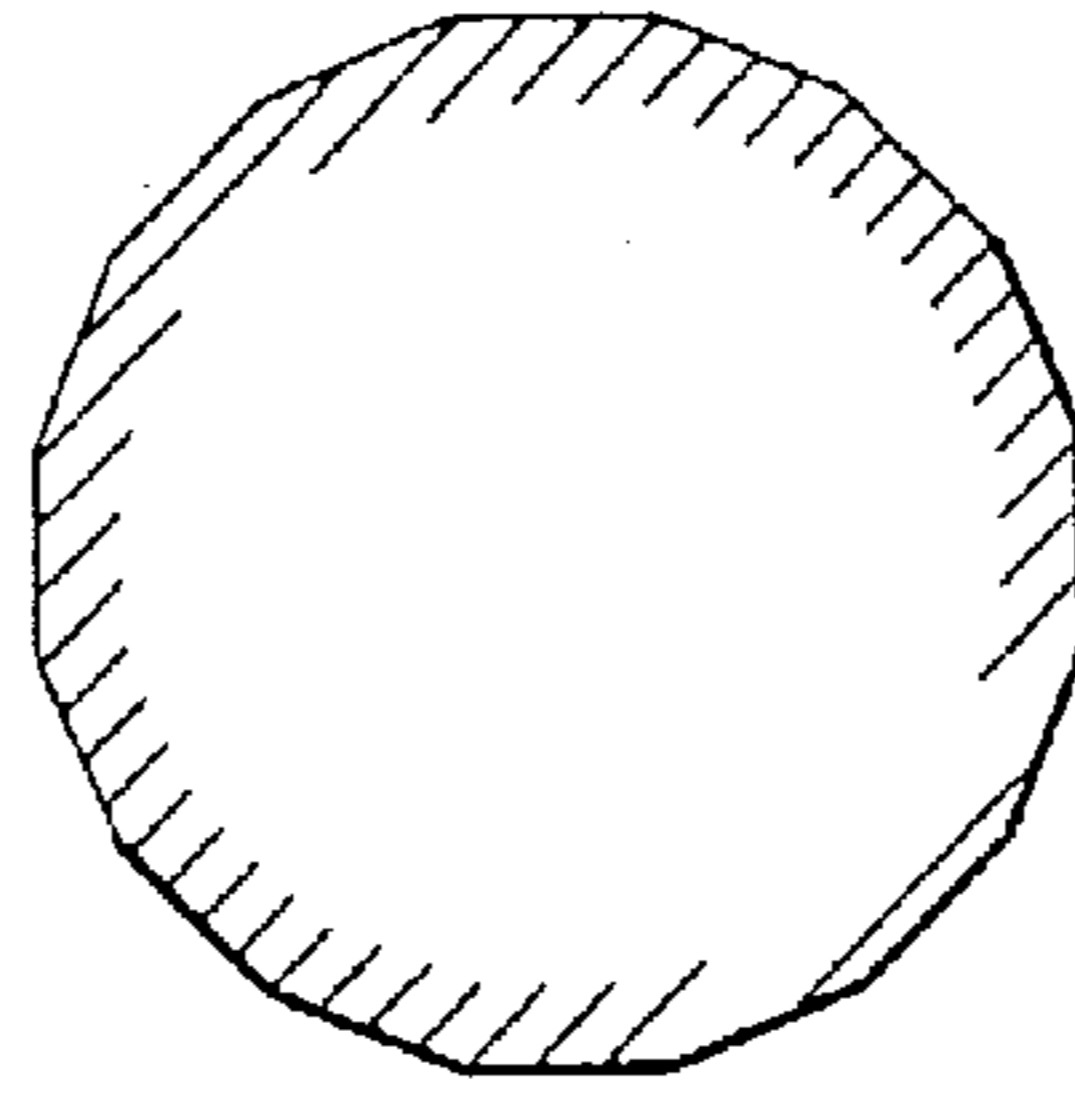


FIG.7

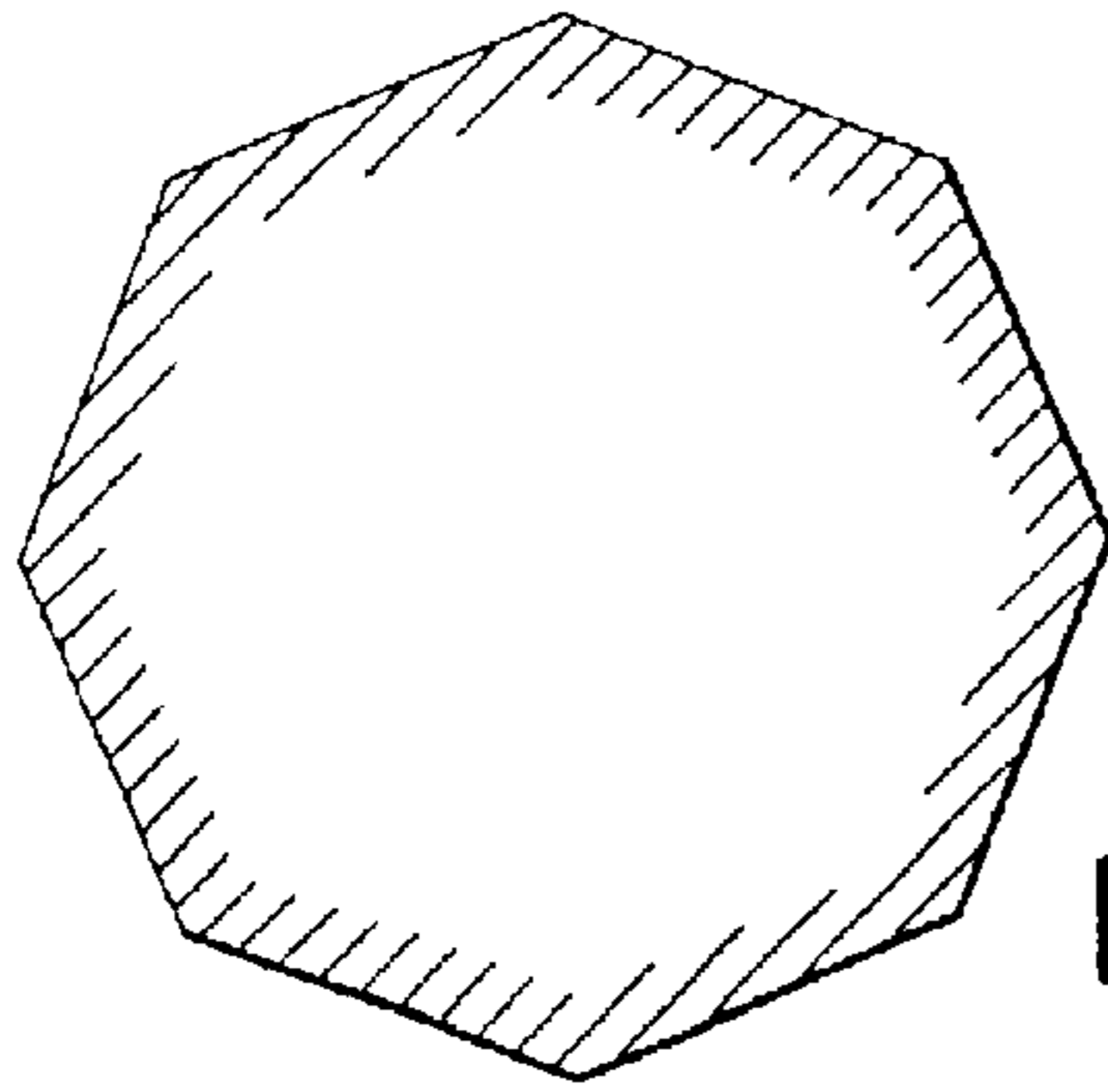
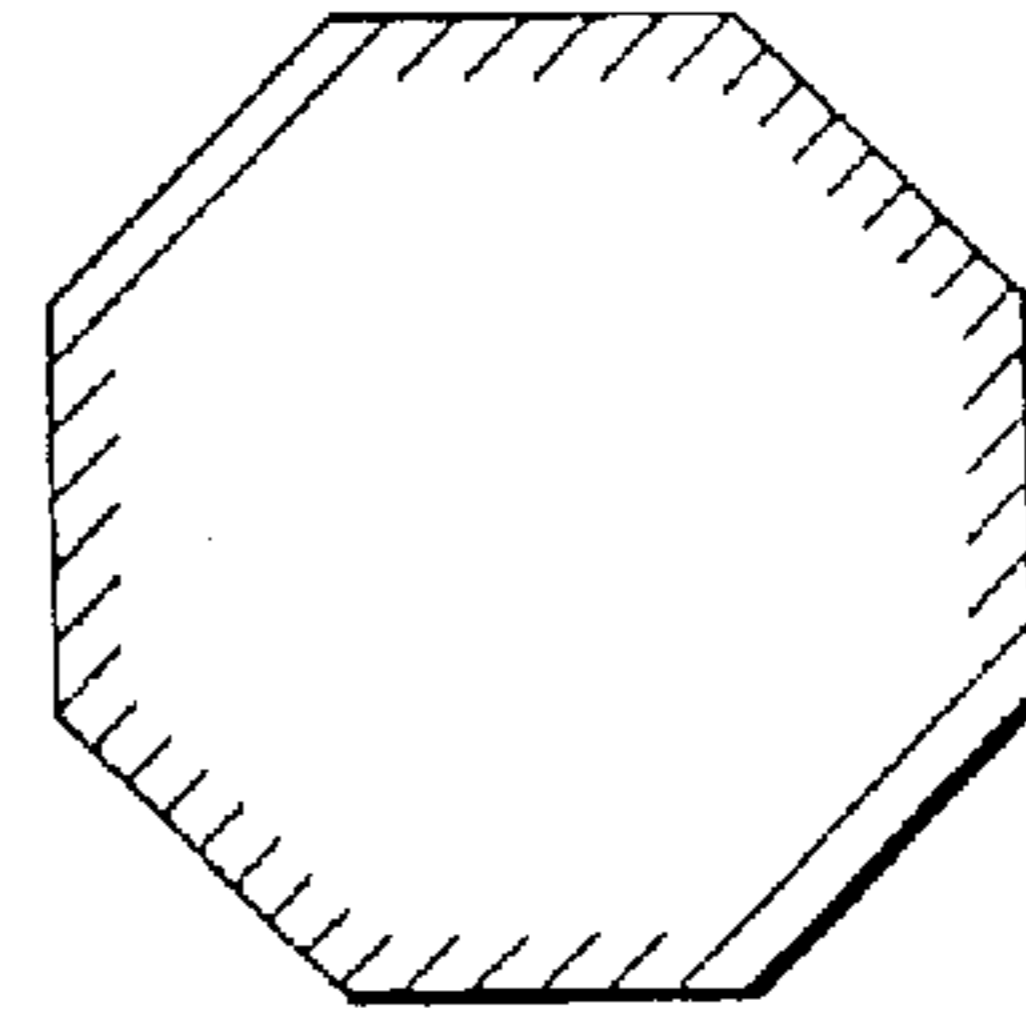


FIG.9

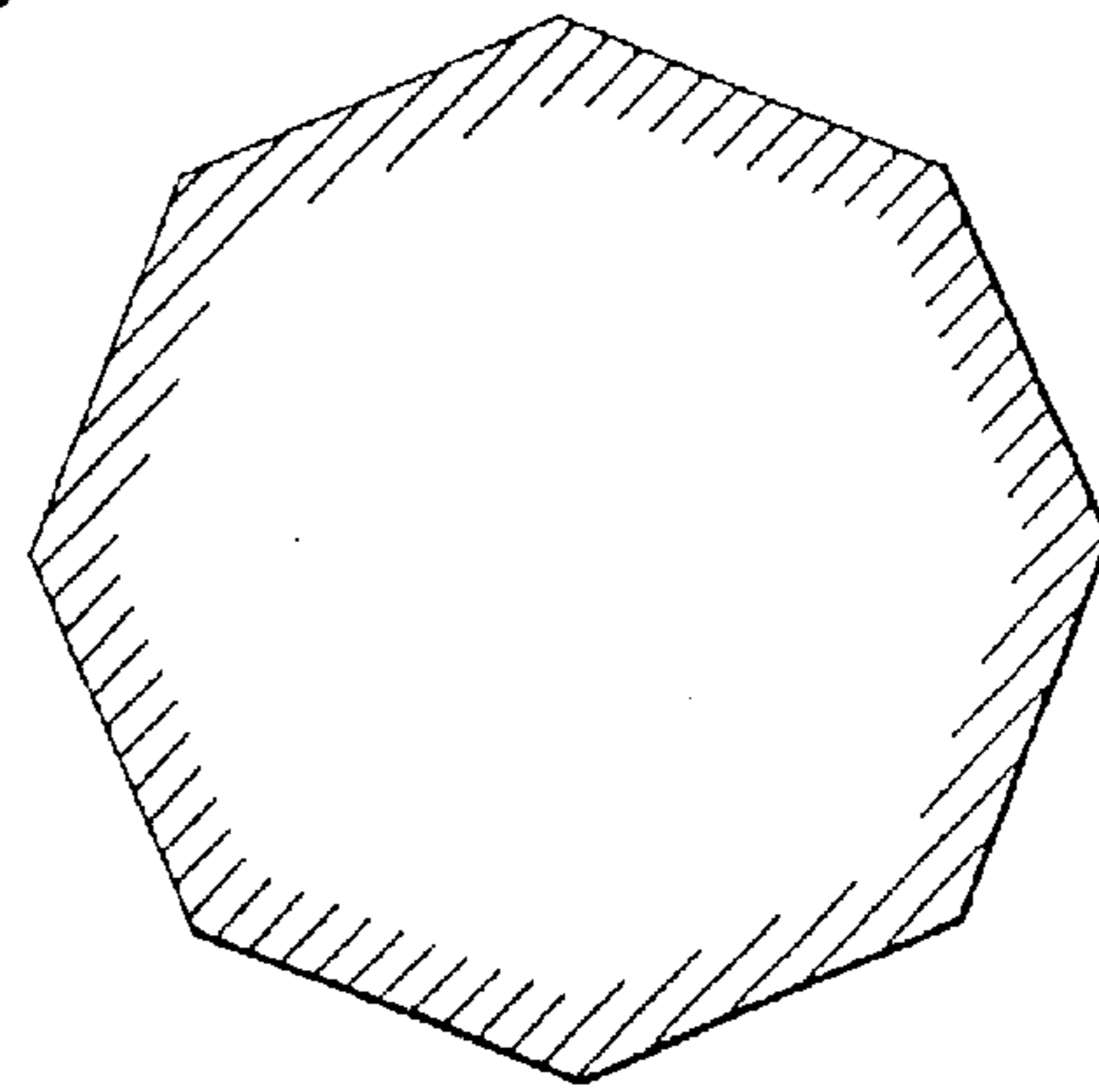


FIG.10

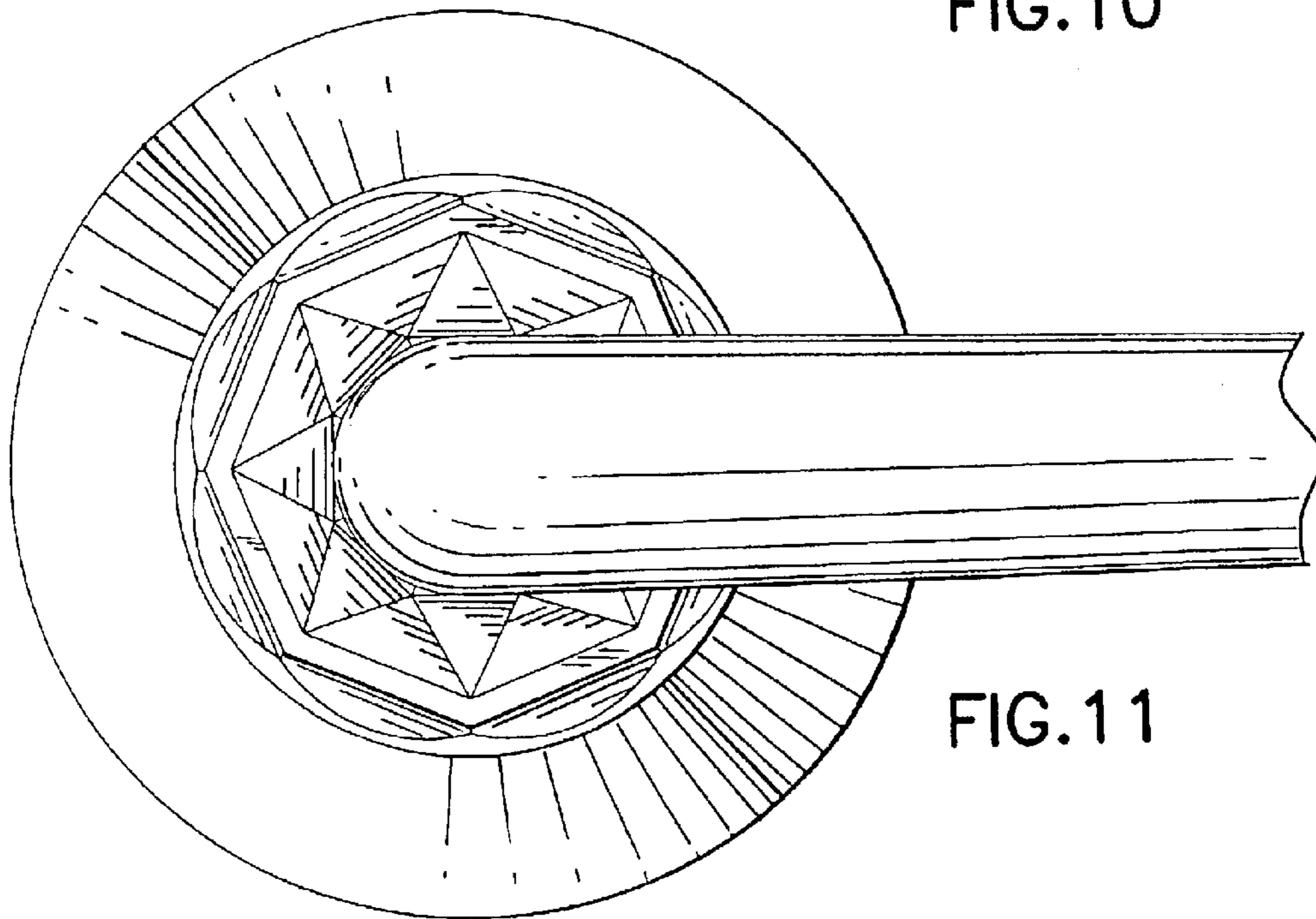


FIG.11