

US00D496117S1

(12) **United States Design Patent**
Willy

(10) **Patent No.:** **US D496,117 S**
(45) **Date of Patent:** **** Sep. 14, 2004**

(54) **READY-TO-ASSEMBLE LAMP**

(76) Inventor: **Scott Willy**, 1870 E. 106th St., Carmel,
IN (US) 46032

(**) Term: **14 Years**

(21) Appl. No.: **29/190,075**

(22) Filed: **Sep. 15, 2003**

Related U.S. Application Data

(62) Division of application No. 10/199,875, filed on Jul. 19,
2002, now Pat. No. 6,619,749.

(51) **LOC (7) Cl.** **26-05**

(52) **U.S. Cl.** **D26/61**

(58) **Field of Search** D26/58, 61, 62,
D26/93, 106-108; 362/410-414, 127-277,
278, 285, 352, 450, 806

(56) **References Cited**

U.S. PATENT DOCUMENTS

2,334,912 A	11/1943	Eide
2,543,875 A	3/1951	Silverman
2,825,101 A	3/1958	Rubenstein
3,485,527 A	12/1969	Barghout
3,527,497 A	9/1970	Self
3,788,700 A	1/1974	Wartes
4,082,356 A	4/1978	Johnson
4,140,065 A	2/1979	Chacon

4,145,827 A	3/1979	Katsufakis
4,165,572 A	8/1979	Sussman
5,082,329 A	1/1992	Mars
5,263,766 A	11/1993	McCullough
5,653,531 A	8/1997	Yang
5,803,548 A	9/1998	Battle
5,992,938 A	11/1999	Jones
6,264,349 B1	7/2001	Morter

Primary Examiner—Alan P. Douglas
Assistant Examiner—Linda Brooks

(74) *Attorney, Agent, or Firm*—Maginot, Moore & Beck

(57) **CLAIM**

The ornamental designs for a ready-to-assemble lamp, as shown and described.

DESCRIPTION

FIG. 1 is a perspective view of a ready-to assemble lamp according to the present invention.

FIG. 2 is a front elevational view of the embodiment shown in FIG. 1.

FIG. 3 is a back elevational view of the embodiment shown in FIG. 1.

FIG. 4 is a side elevational view of the embodiment shown in FIG. 1, with the opposite side view being a mirror image.

FIG. 5 is a bottom elevational view of the embodiment shown in FIG. 1; and,

FIG. 6 is a top elevational view of the embodiment shown in FIG. 1.

1 Claim, 3 Drawing Sheets

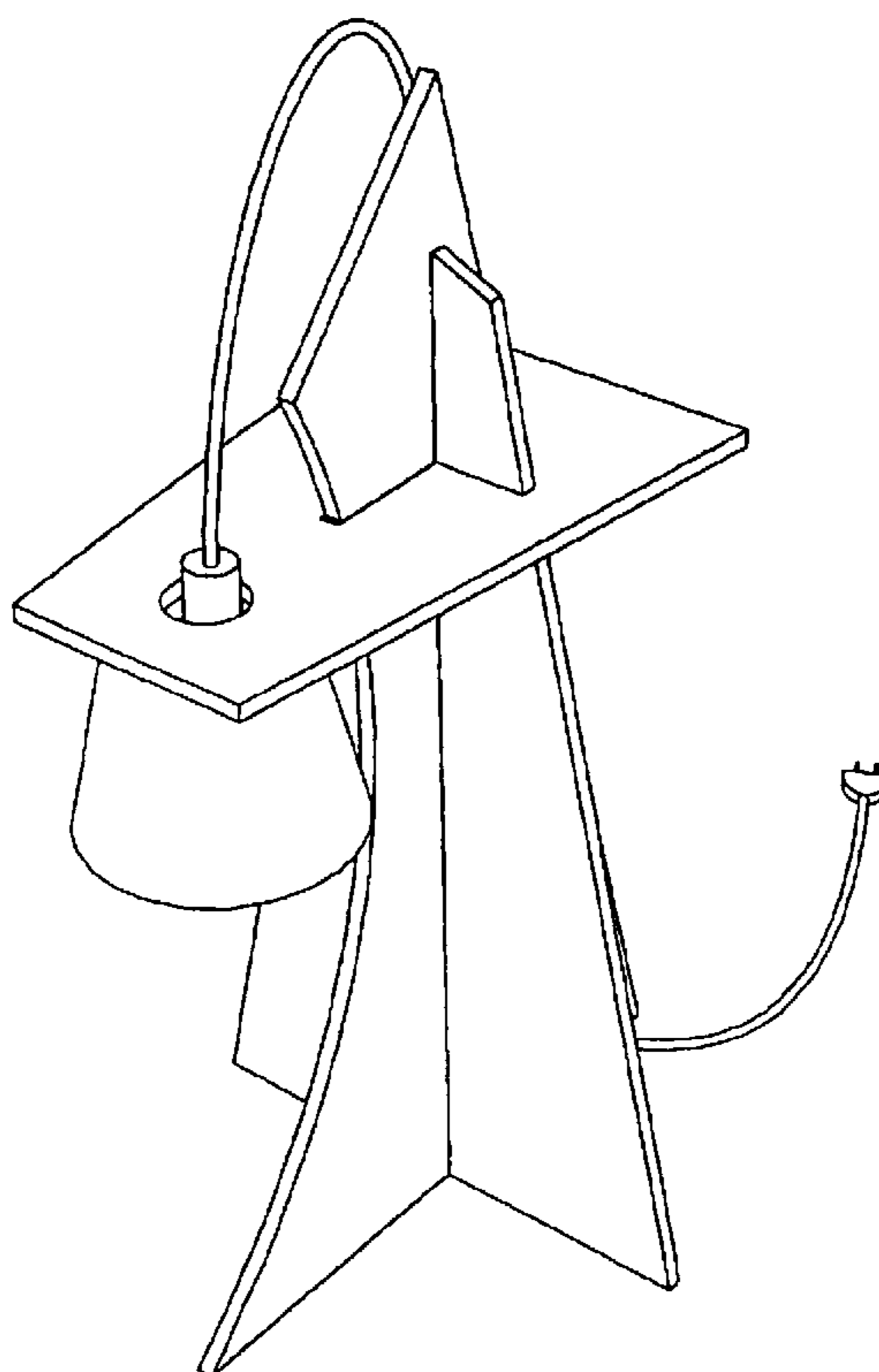


FIG. 1

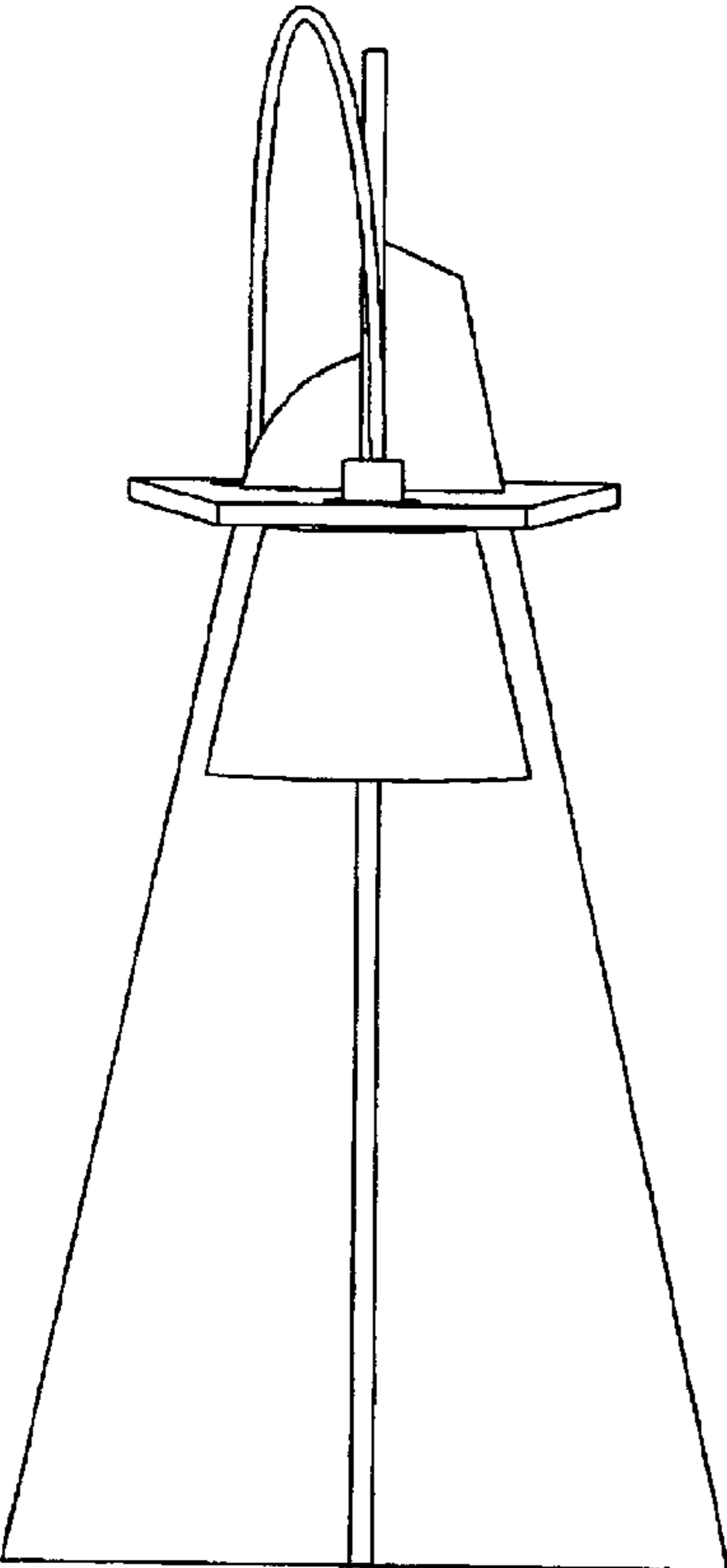
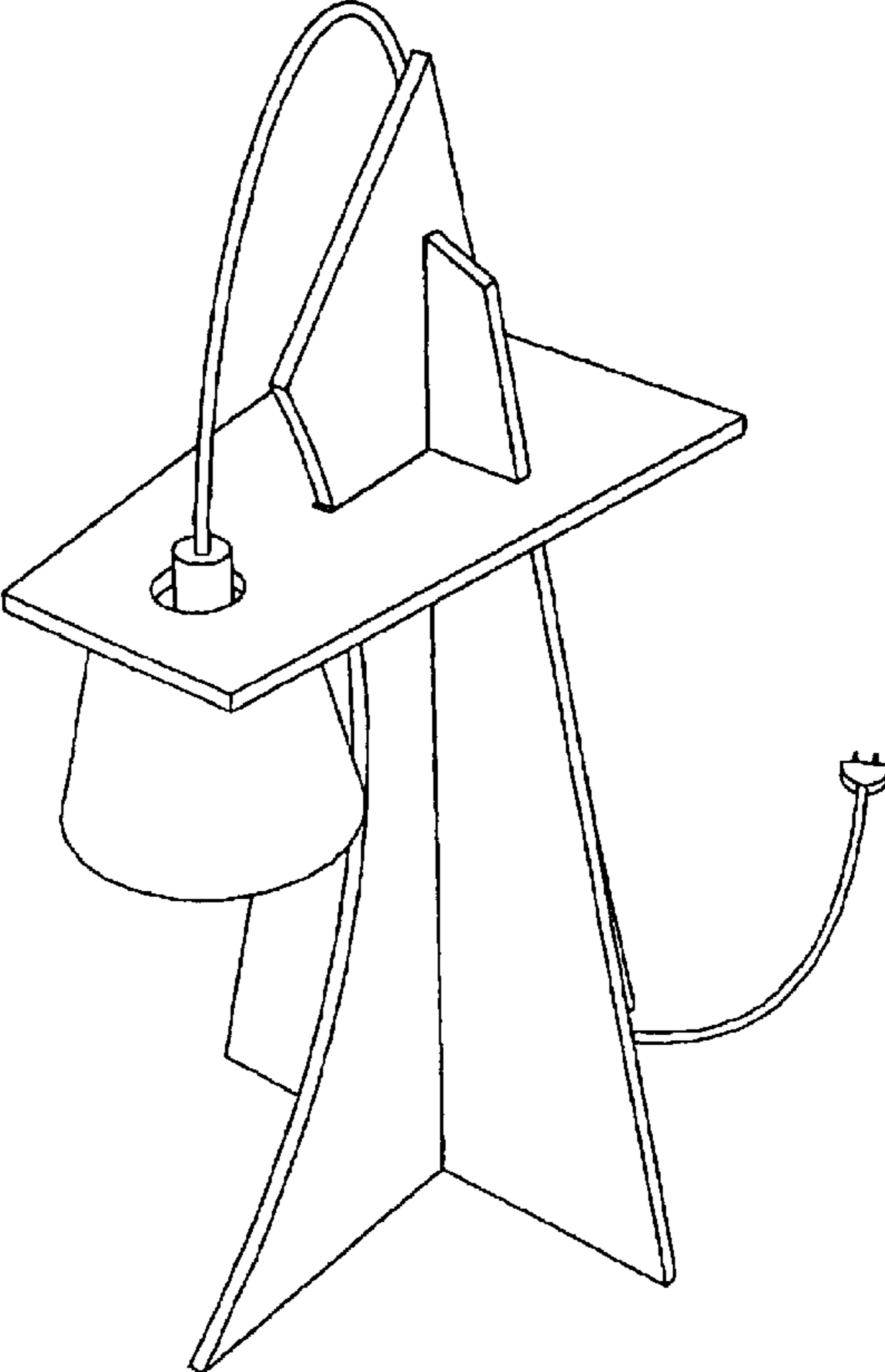


FIG. 2

FIG. 3

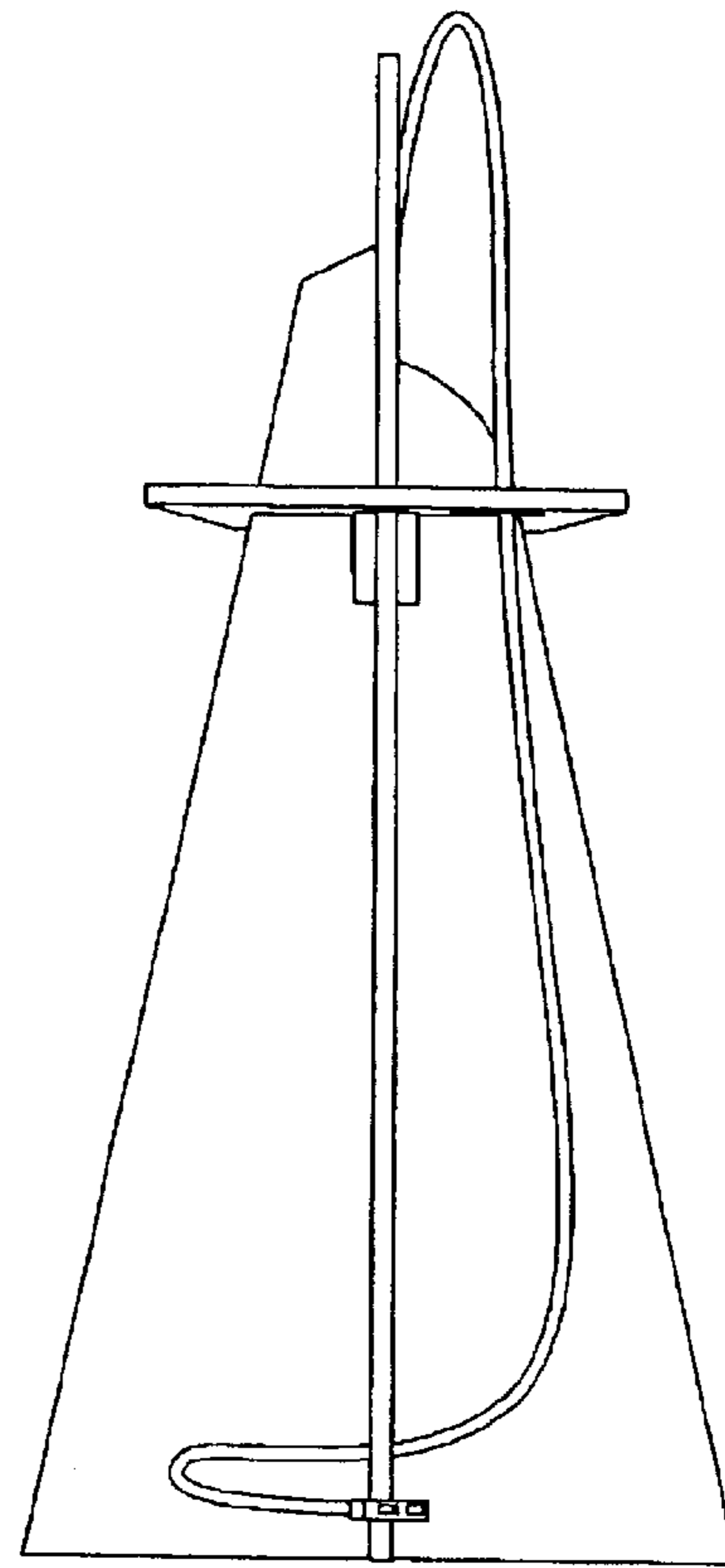


FIG. 4

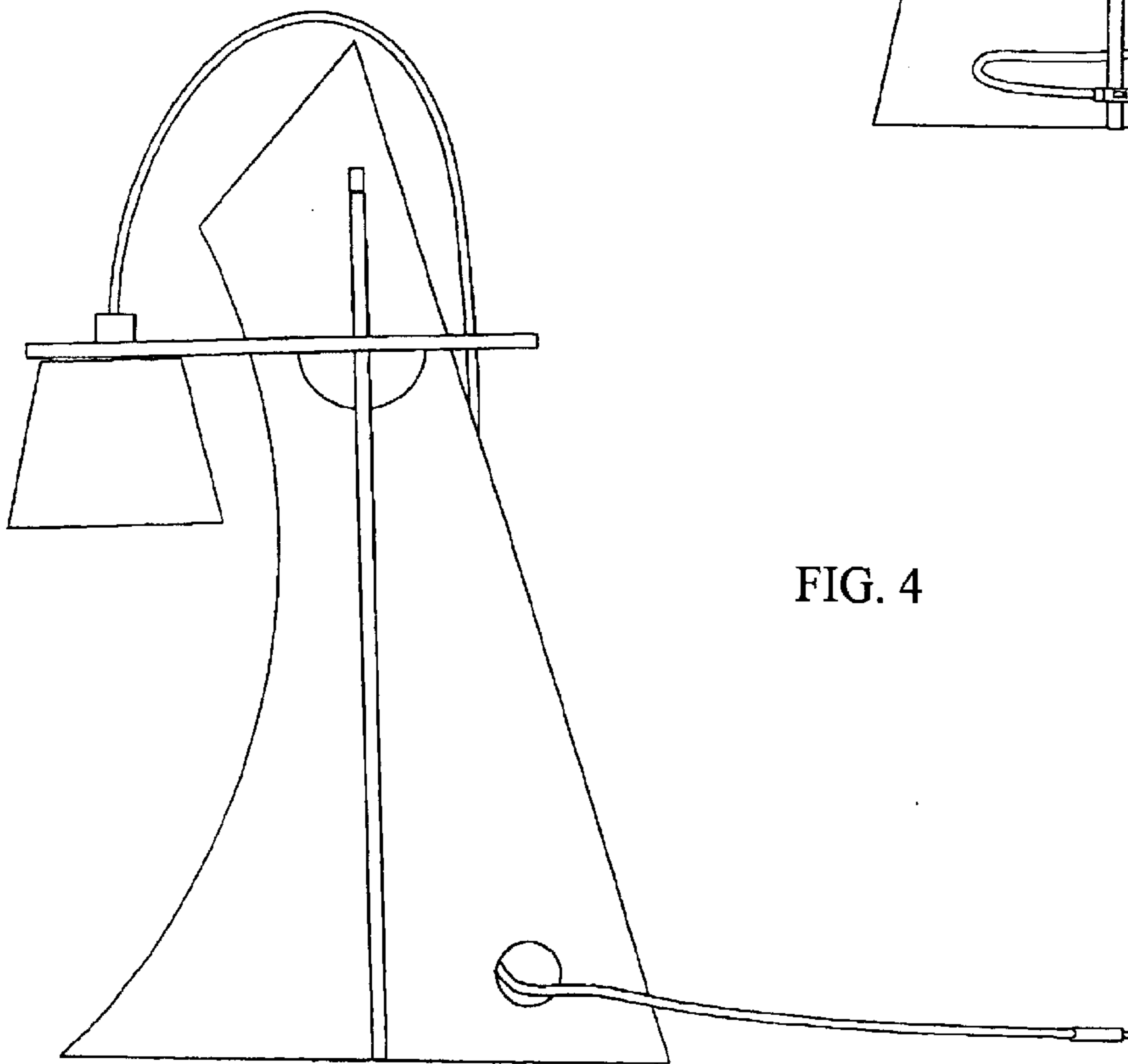


FIG. 5

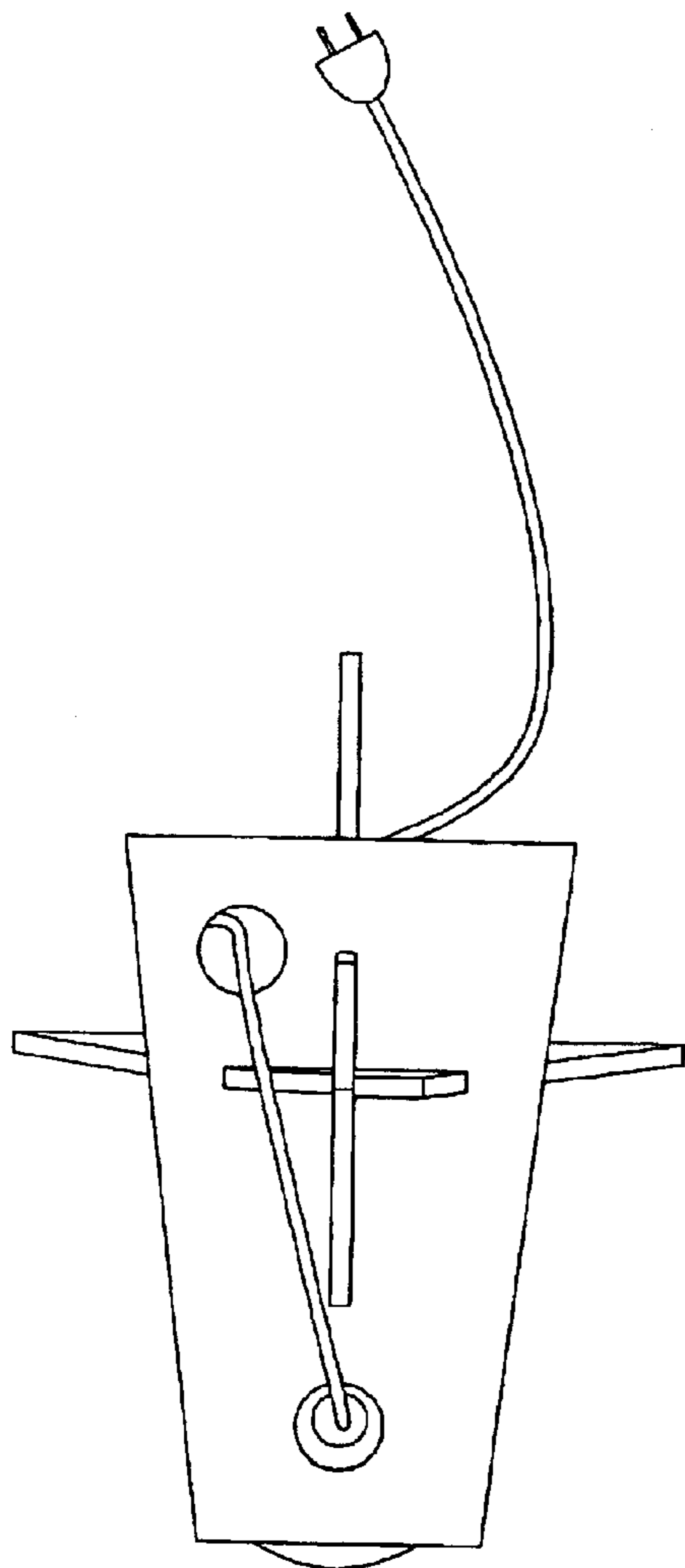
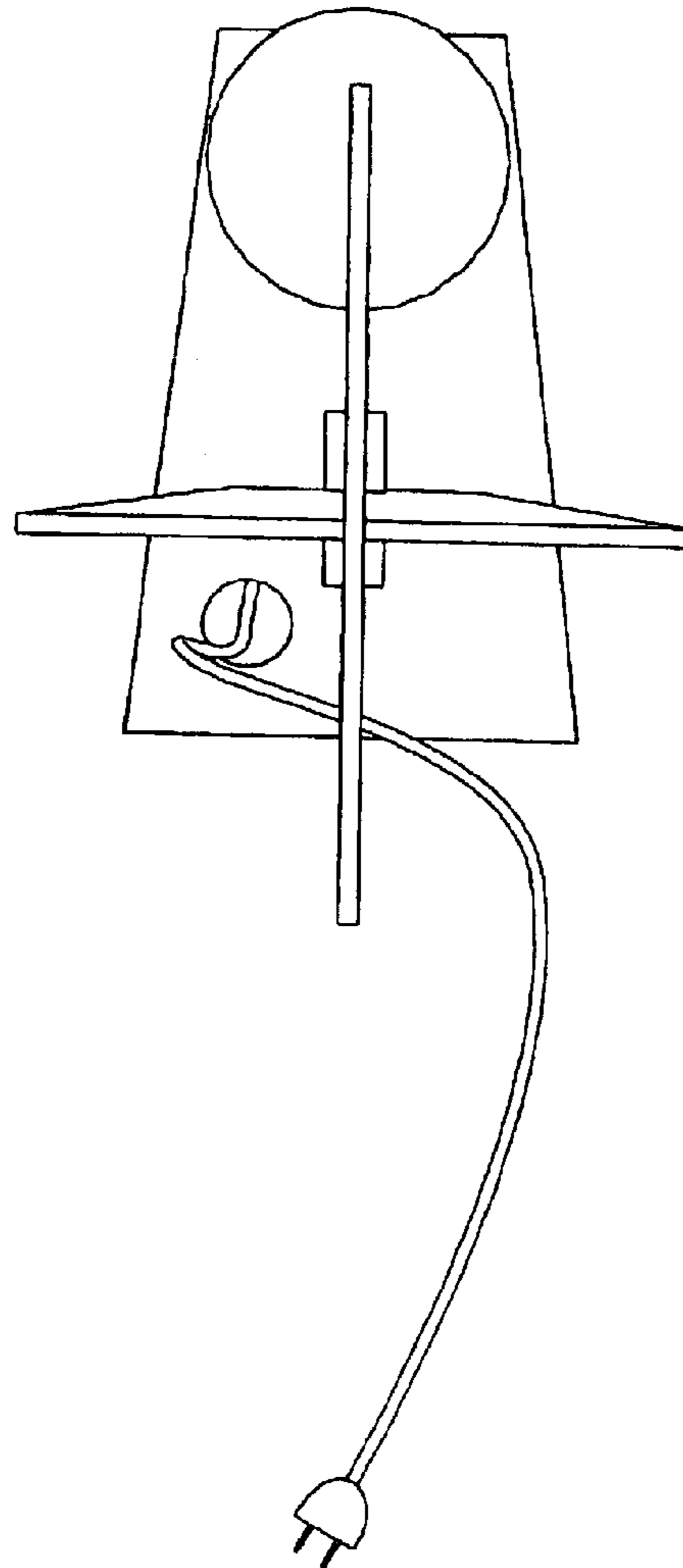


FIG. 6