



US00D496116S1

(12) **United States Design Patent**
Abernethy et al.

(10) **Patent No.:** **US D496,116 S**

(45) **Date of Patent:** **** Sep. 14, 2004**

(54) **FLASHLIGHT**

(75) Inventors: **Todd B. Abernethy**, Skaneateles, NY (US); **Scott W. Osiecki**, Skaneateles, NY (US)

(73) Assignee: **Eveready Battery Company, Inc.**, St. Louis, MO (US)

(**) Term: **14 Years**

(21) Appl. No.: **29/195,269**

(22) Filed: **Dec. 9, 2003**

(51) **LOC (7) Cl.** **26-02**

(52) **U.S. Cl.** **D26/49**

(58) **Field of Search** D26/37-50; 362/157, 362/158, 171-174, 183-208

(56) **References Cited**

U.S. PATENT DOCUMENTS

D447,259 S	*	8/2001	Lynch et al.	D26/49
D463,594 S	*	9/2002	Cheong et al.	D26/49
D474,555 S	*	5/2003	Sieckowski et al.	D26/49

* cited by examiner

Primary Examiner—Marcus A. Jackson

(74) *Attorney, Agent, or Firm*—Stewart A. Fraser

(57) **CLAIM**

We claim the ornamental design for flashlight, as shown and described.

DESCRIPTION

FIG. 1 is a top view of the flashlight of the present invention; FIG. 2 is a view showing the left side of the flashlight of the present invention.

FIG. 3 is a view showing the right side of the flashlight of the present invention.

FIG. 4 is a view showing the bottom of the flashlight of the present invention.

FIG. 5 is a front view of the flashlight of the present invention.

FIG. 6 is a back view of the flashlight of the present invention.

FIG. 7 is a front isometric view of the flashlight of the present invention; and,

FIG. 8 is a bottom isometric view of the flashlight of the present invention.

1 Claim, 8 Drawing Sheets

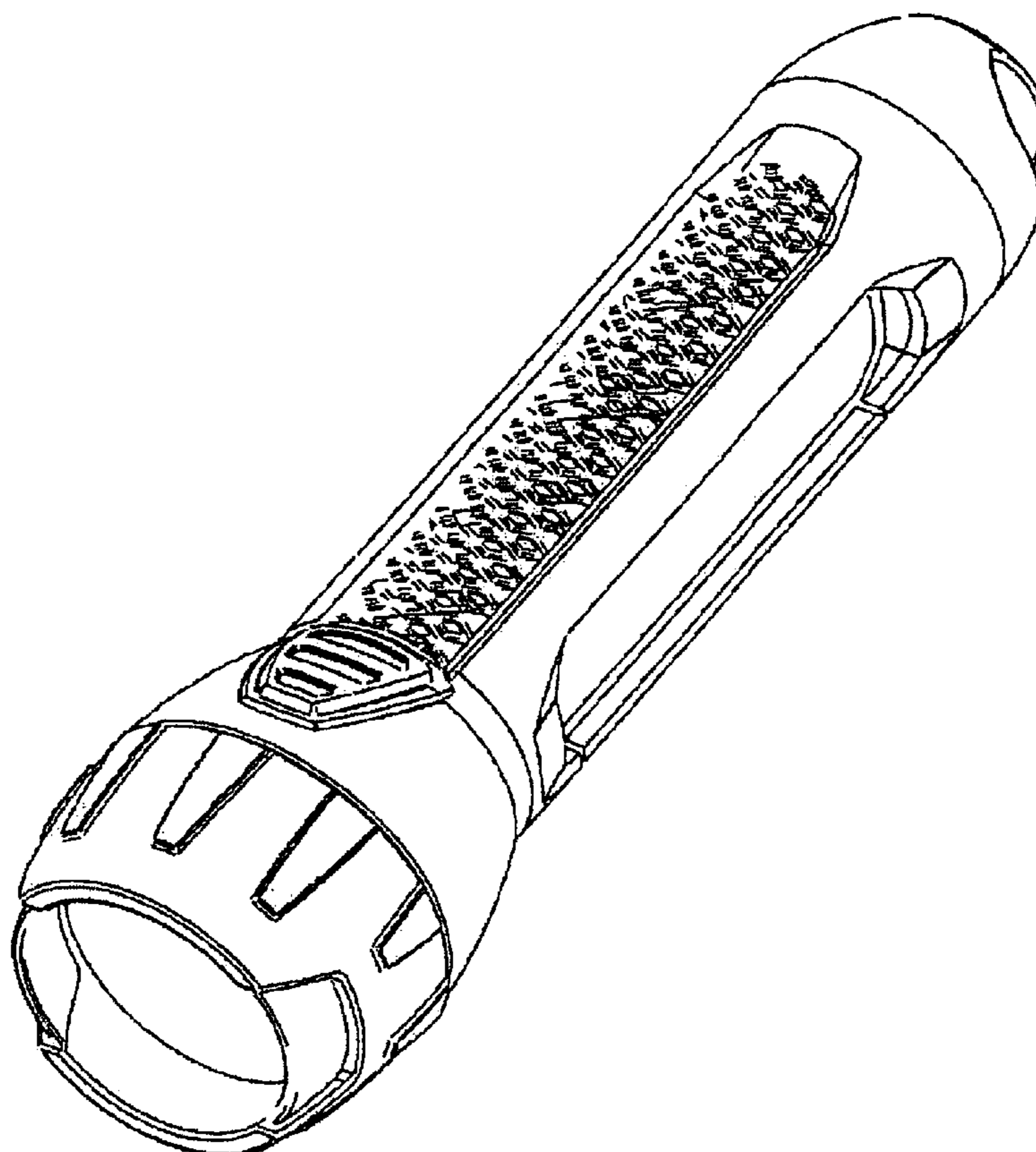


Fig. 1

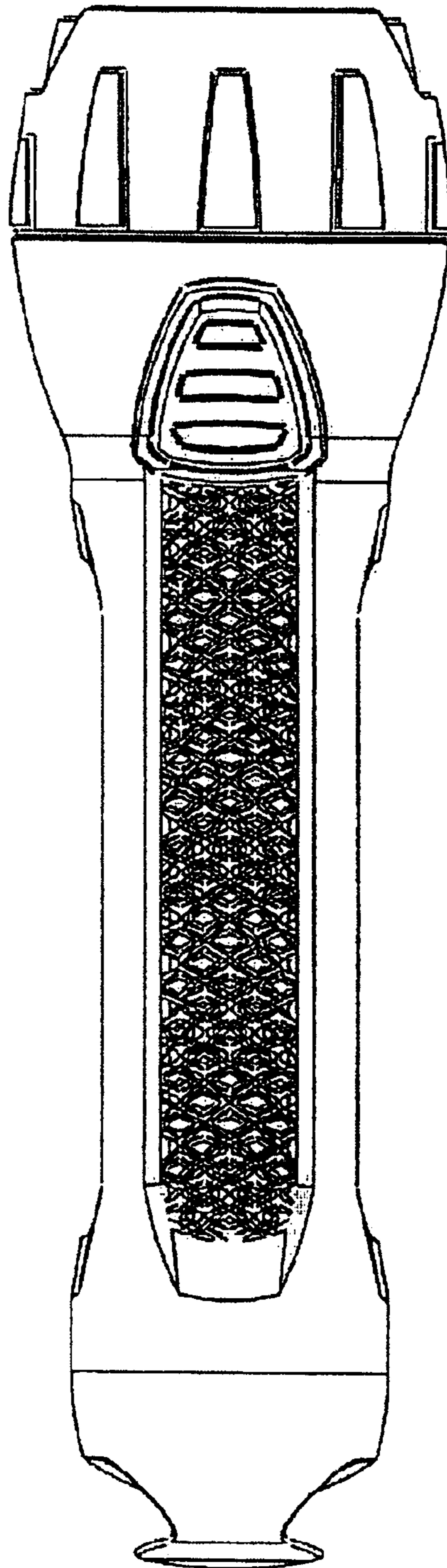


Fig. 2

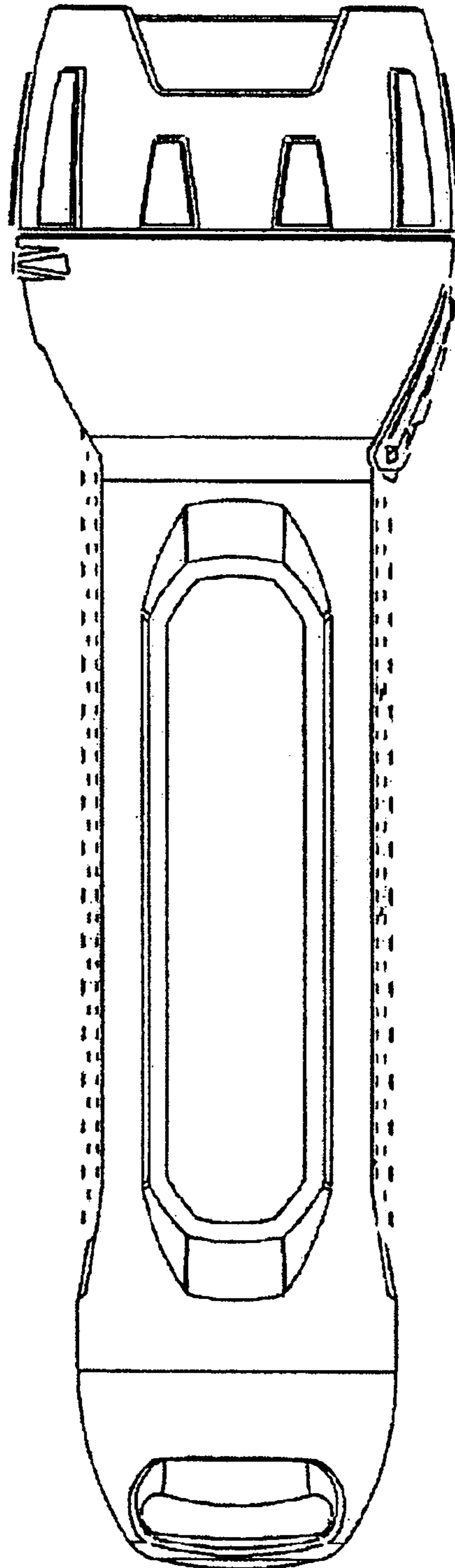


Fig. 3

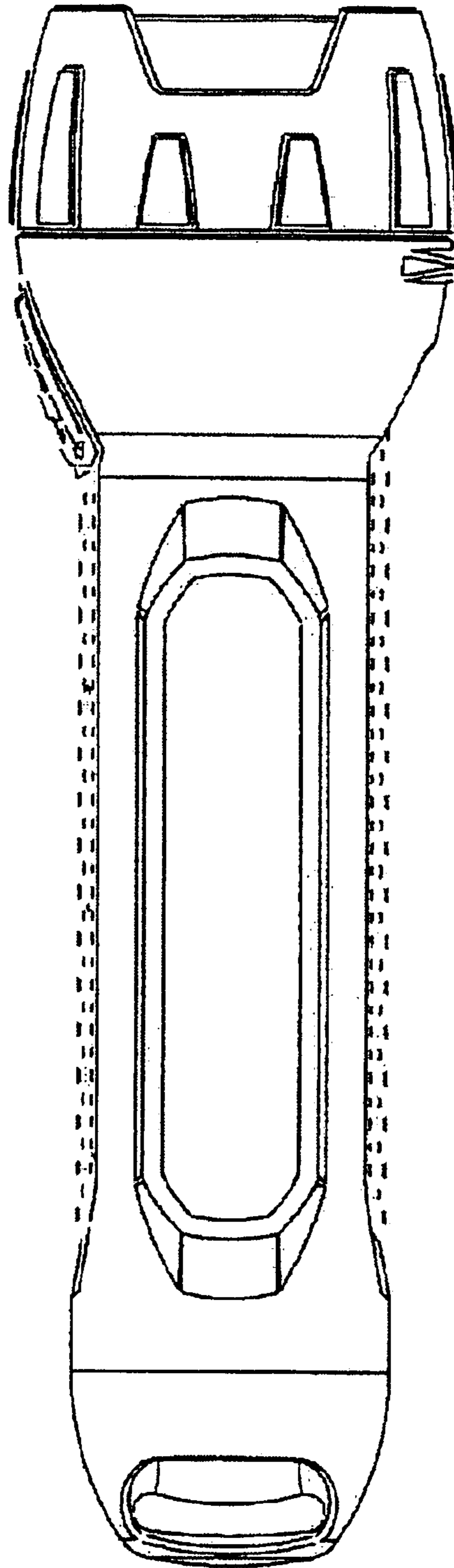


Fig. 4

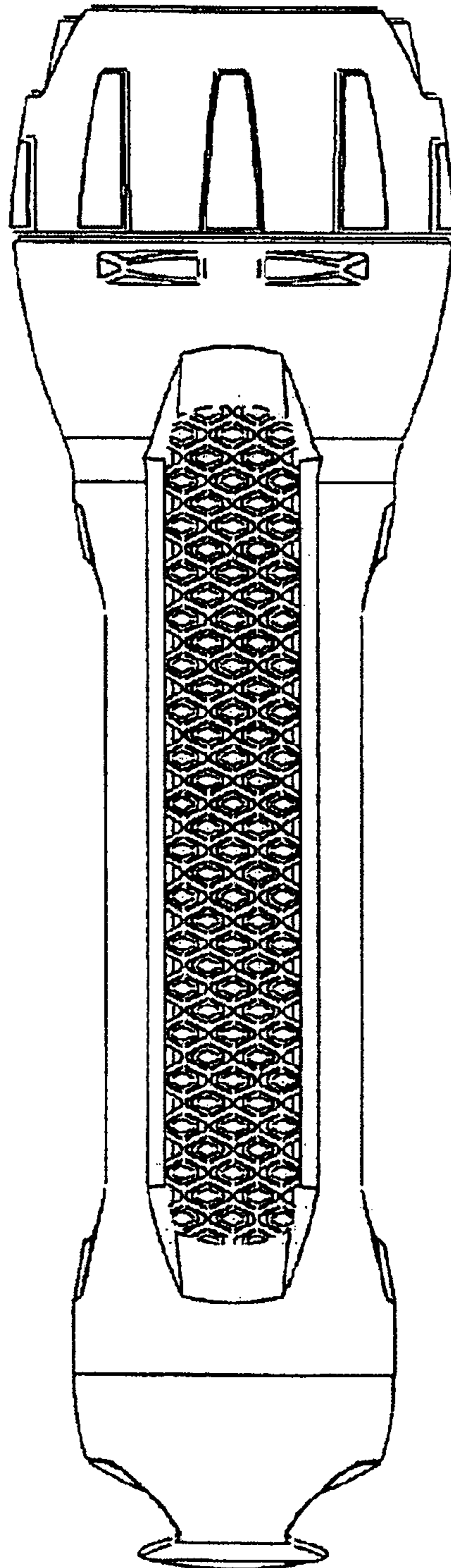


Fig. 5

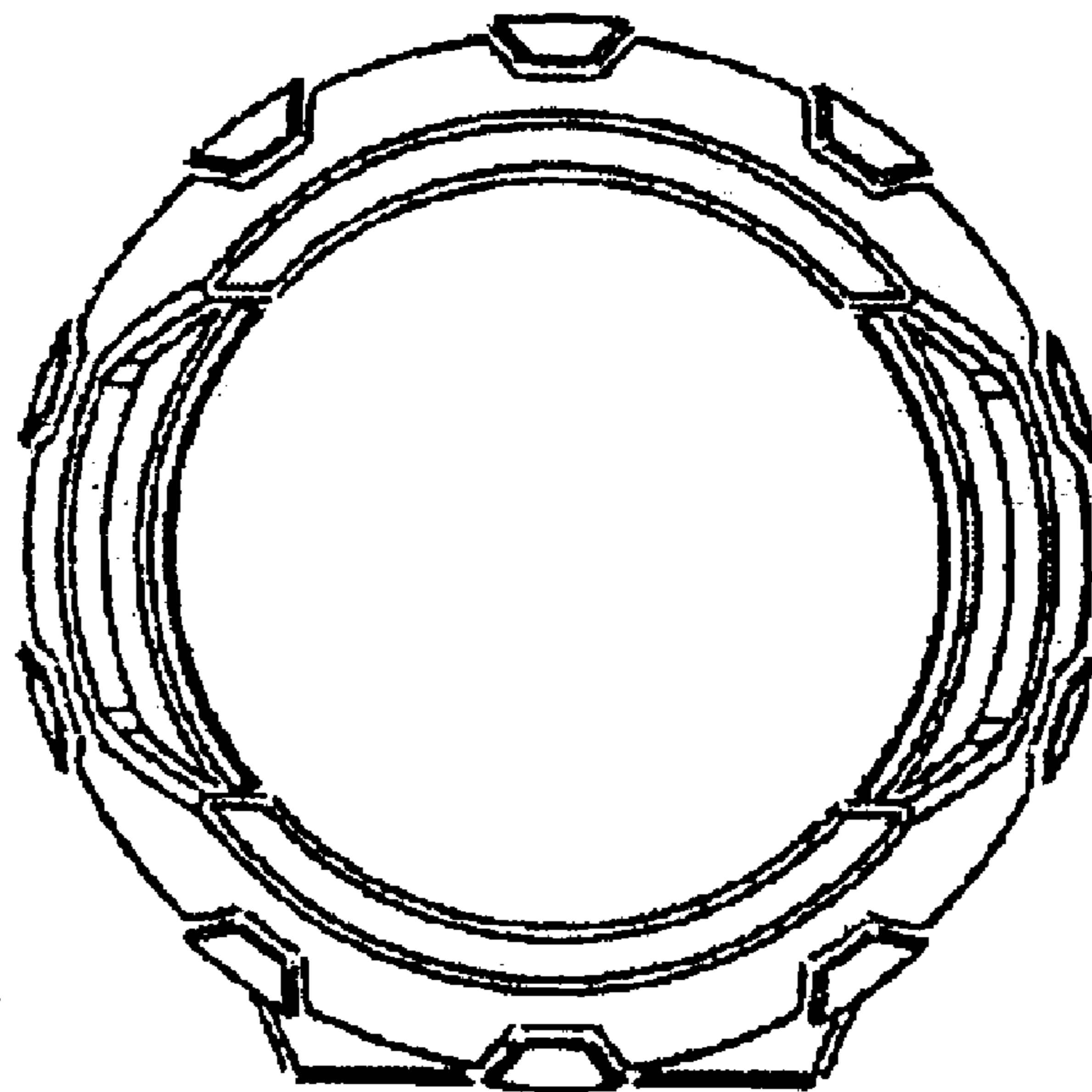


Fig. 6

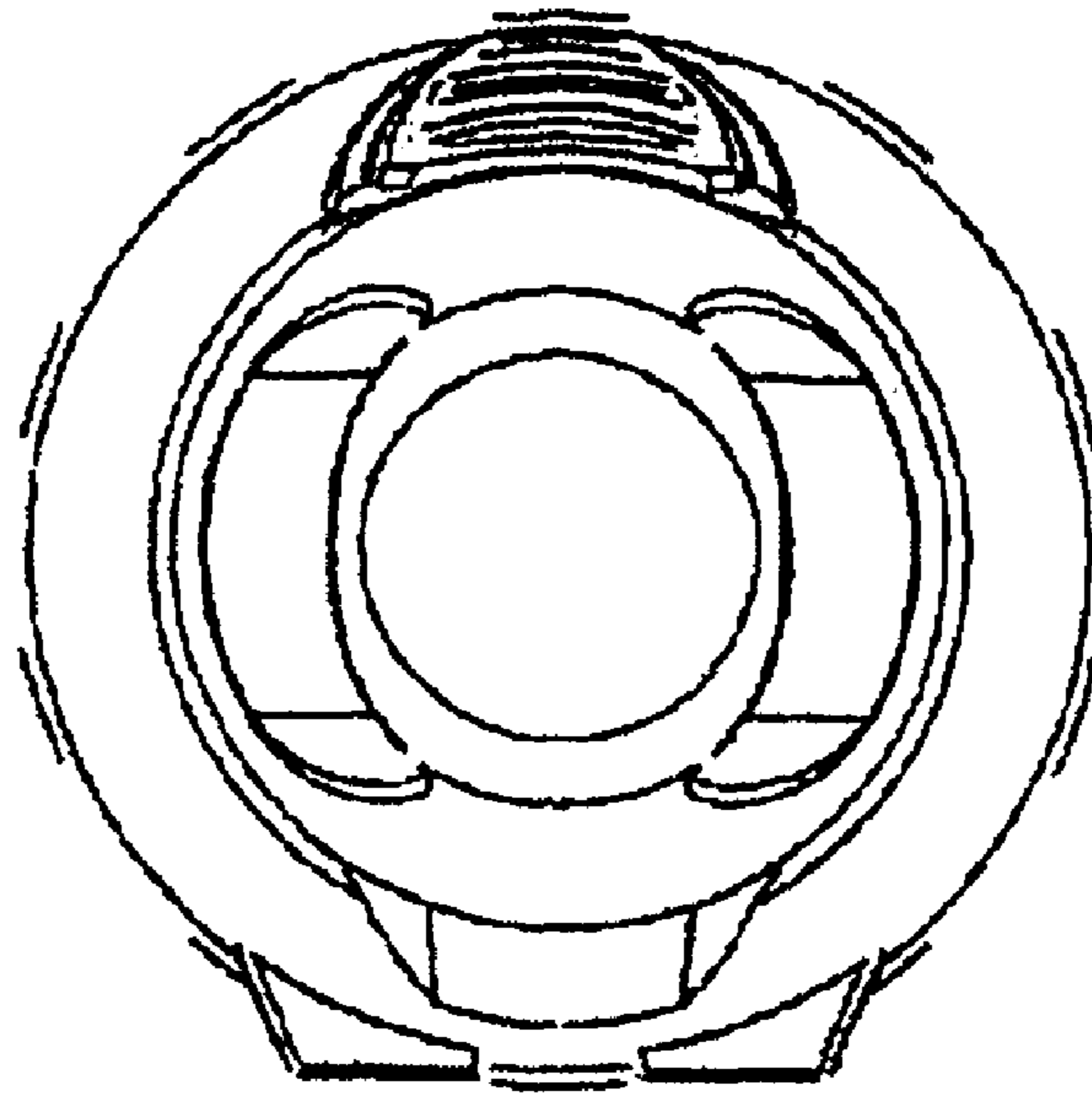


Fig. 7

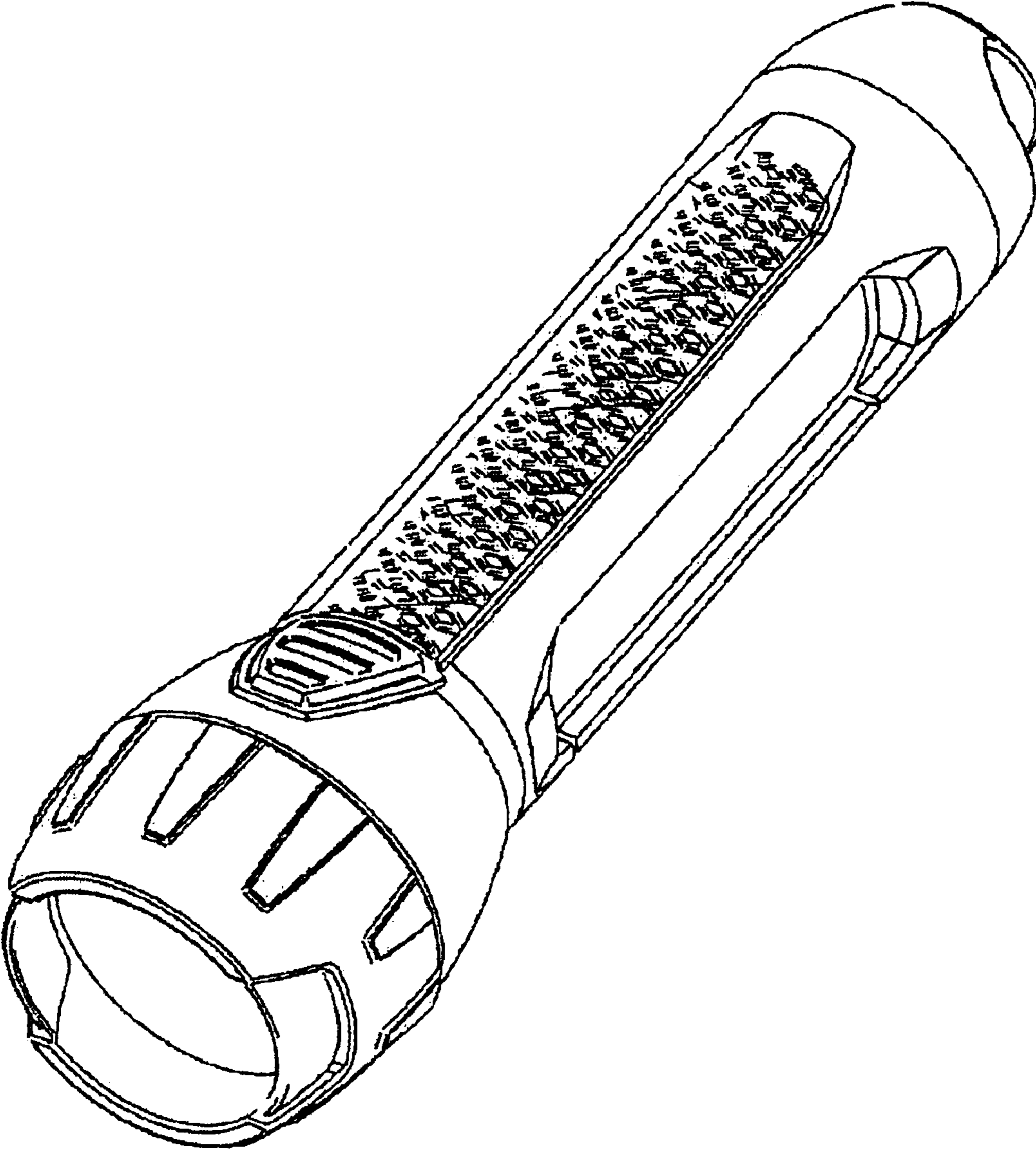


Fig. 8

