

US00D496115S1

(12) **United States Design Patent**  
**Lin**

(10) **Patent No.: US D496,115 S**

(45) **Date of Patent: \*\* Sep. 14, 2004**

(54) **ELECTRIC TORCH**

D481,816 S \* 11/2003 Sharrah et al. .... D26/49  
D488,877 S \* 4/2004 Shin ..... D26/49

(75) Inventor: **Jun-Ming Lin**, Taipei (TW)

\* cited by examiner

(73) Assignee: **Quarton, Inc.** (TW)

*Primary Examiner*—Marcus A. Jackson

(\*\*) Term: **14 Years**

(74) *Attorney, Agent, or Firm*—Raymond Sun

(21) Appl. No.: **29/195,145**

(57) **CLAIM**

(22) Filed: **Dec. 5, 2003**

The ornamental design for an electric torch, as shown and described.

(51) **LOC (7) Cl.** ..... **26-02**

**DESCRIPTION**

(52) **U.S. Cl.** ..... **D26/49**

(58) **Field of Search** ..... D26/37-50; 362/157,  
362/158, 171-174, 183-208

FIG. 1 is a perspective view of an “electric torch” showing my design;

FIG. 2 is a front elevational view thereof;

FIG. 3 is a rear elevational view thereof; and,

FIG. 4 is a side elevational view thereof; the other side, top and bottom elevational views being symmetrical.

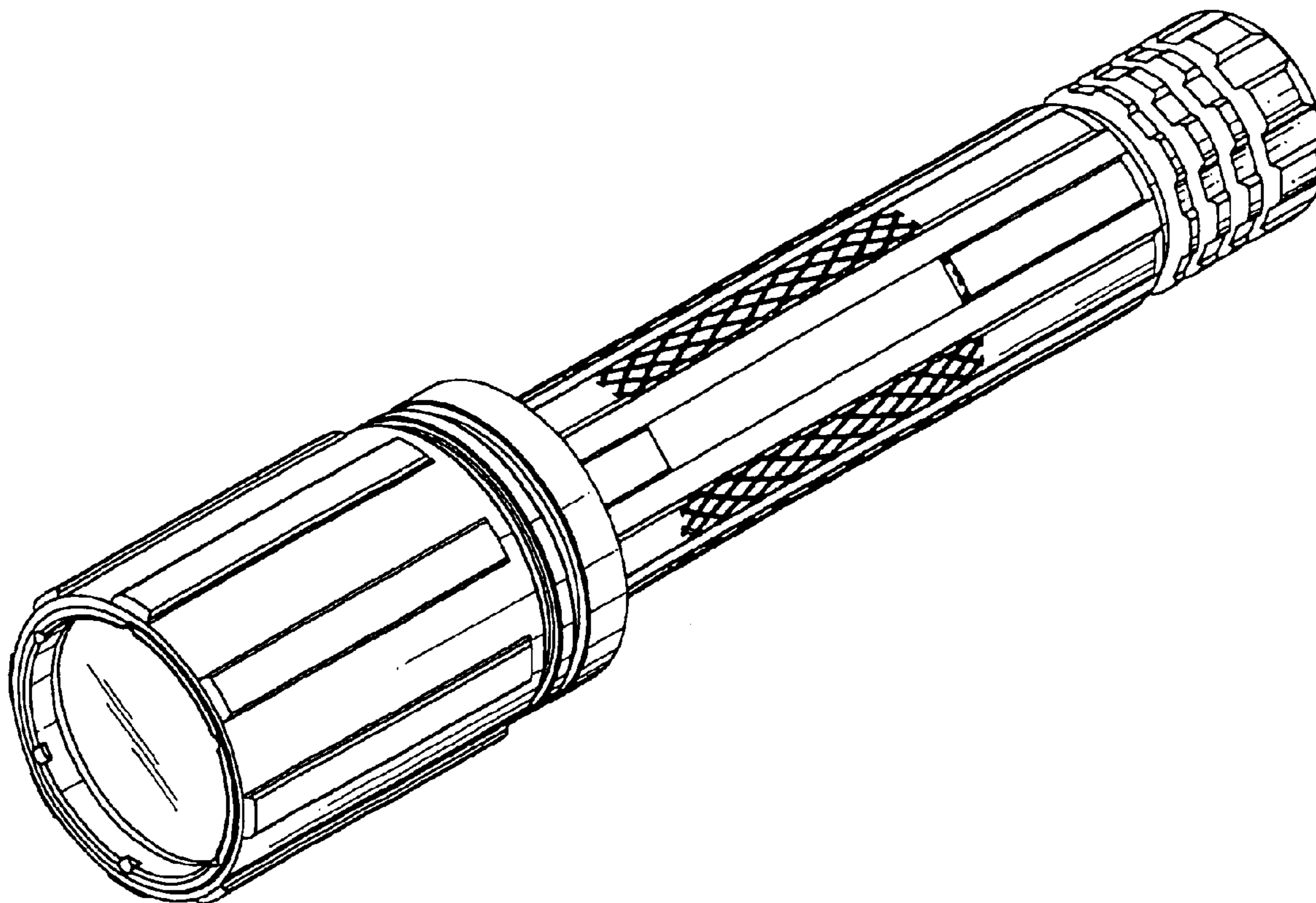
(56) **References Cited**

**U.S. PATENT DOCUMENTS**

D449,703 S \* 10/2001 Dalton et al. .... D26/49

D481,147 S \* 10/2003 Yang ..... D26/49

**1 Claim, 3 Drawing Sheets**



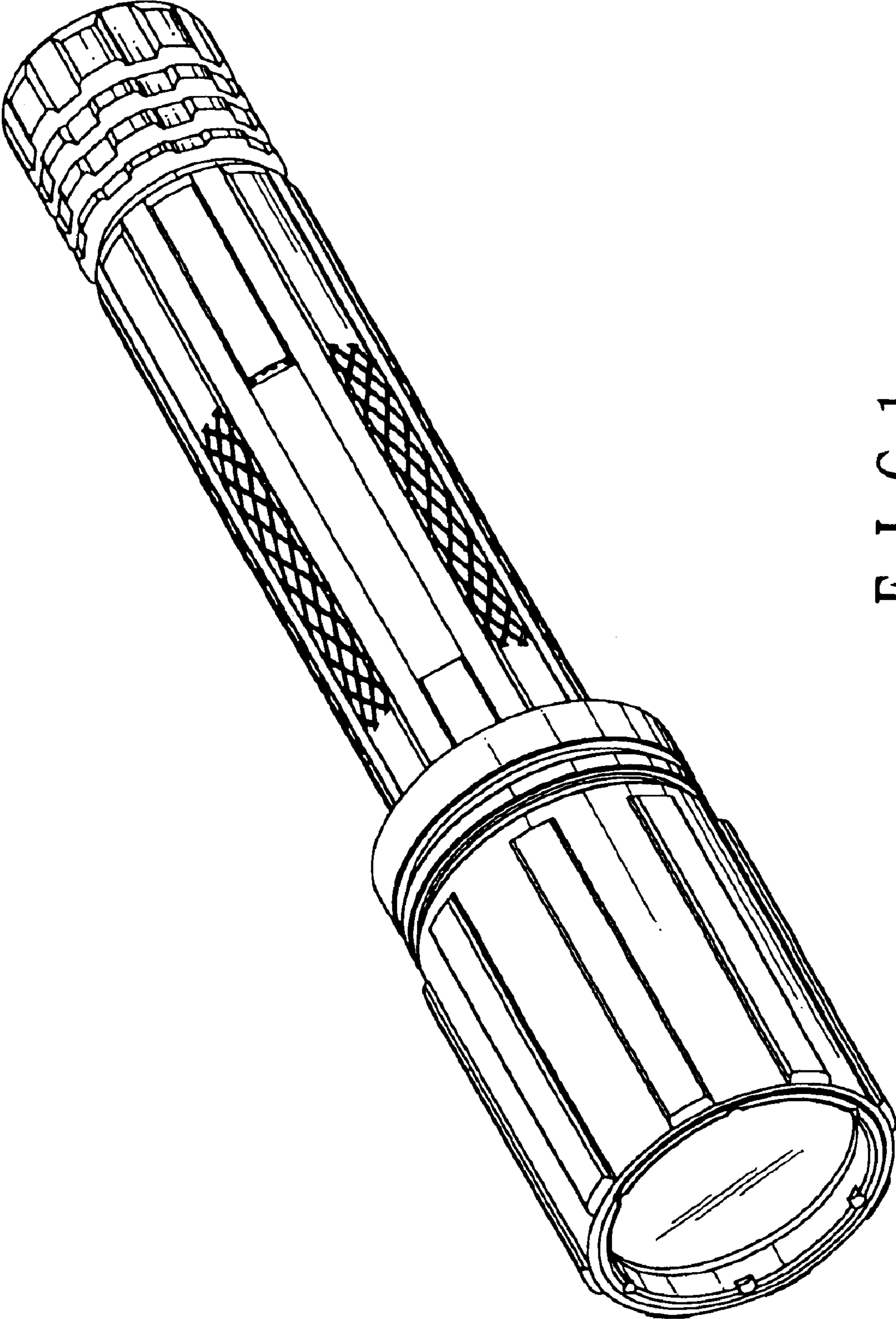


FIG. 1

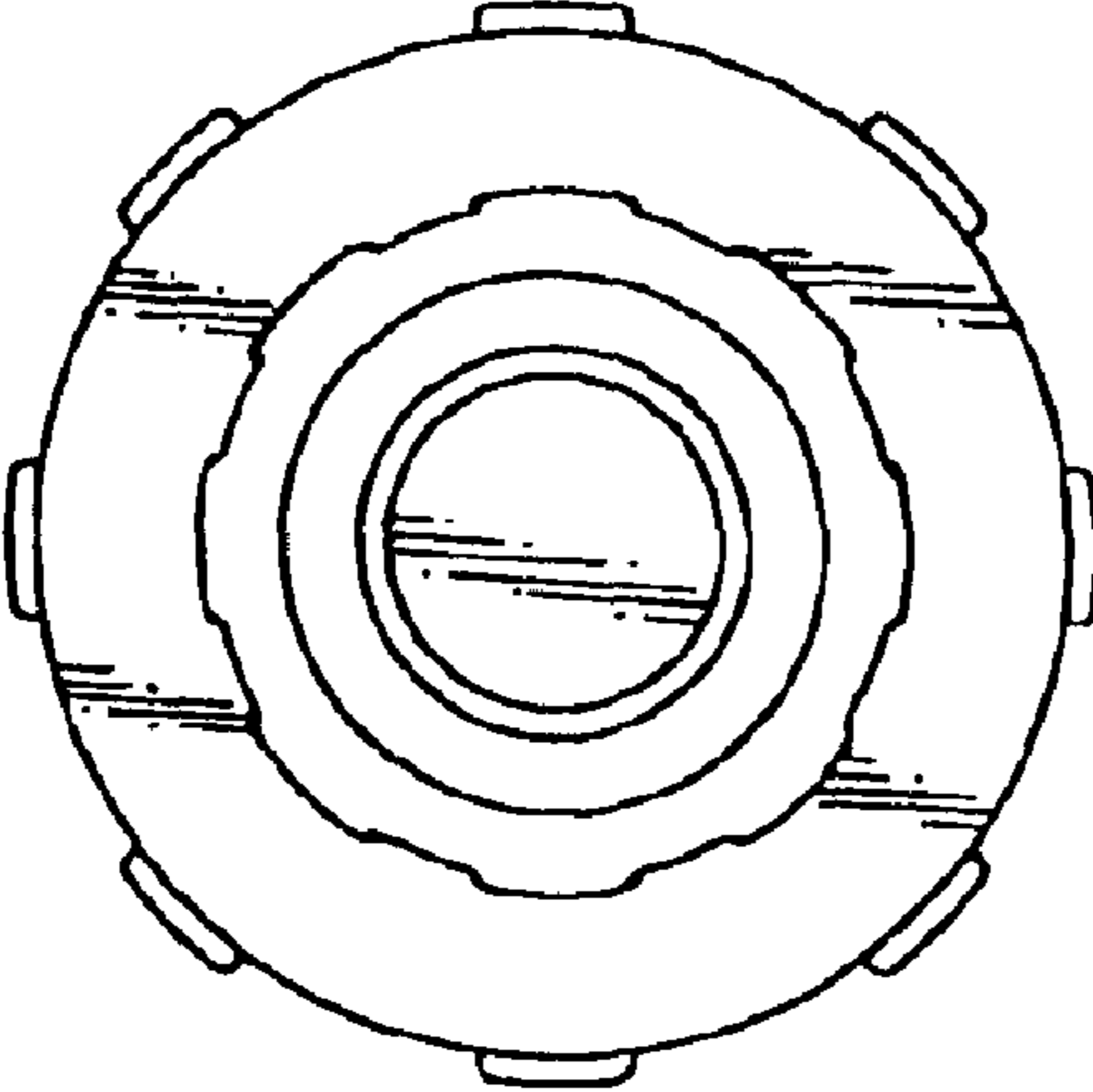


FIG. 3

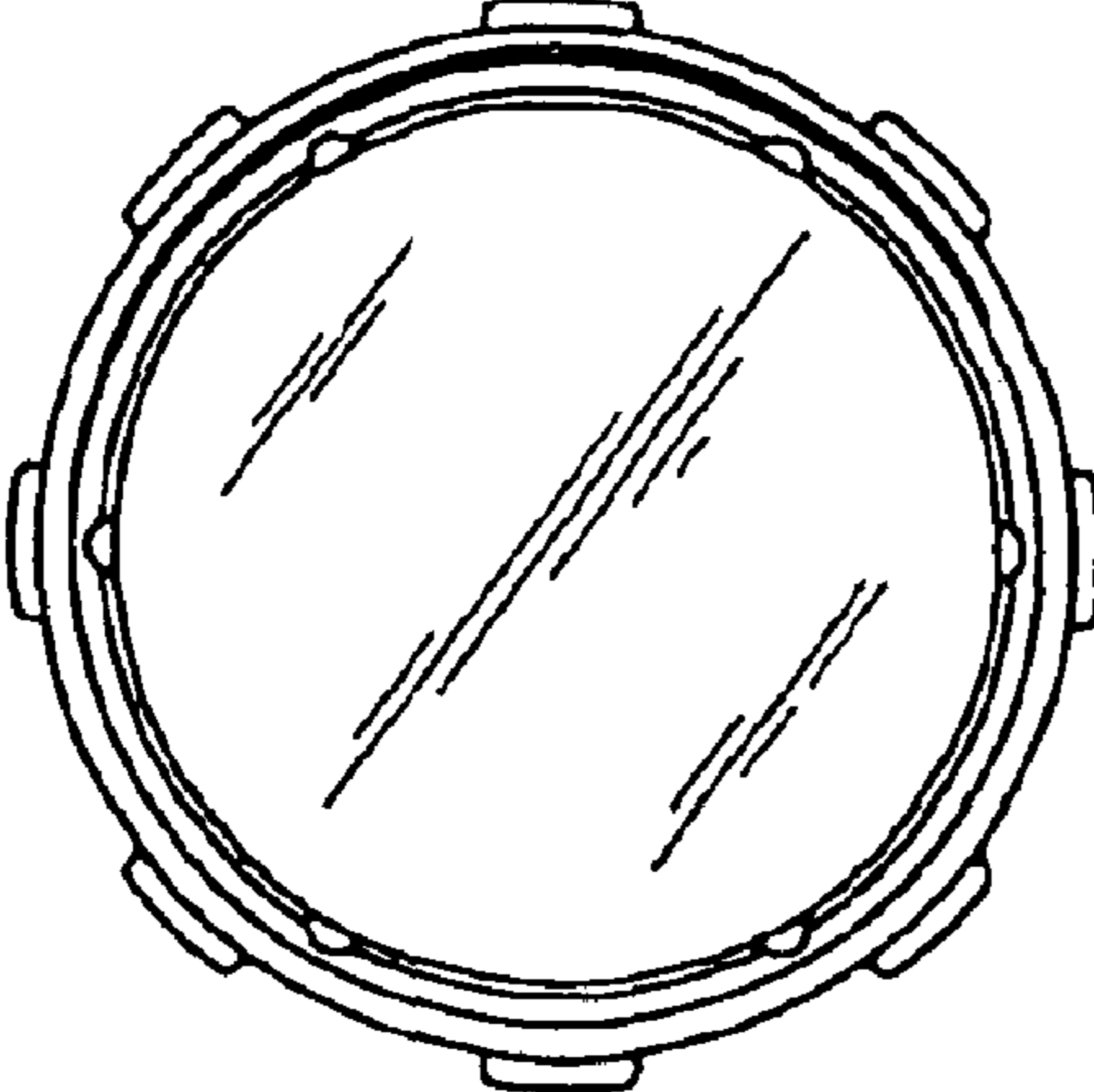


FIG. 2

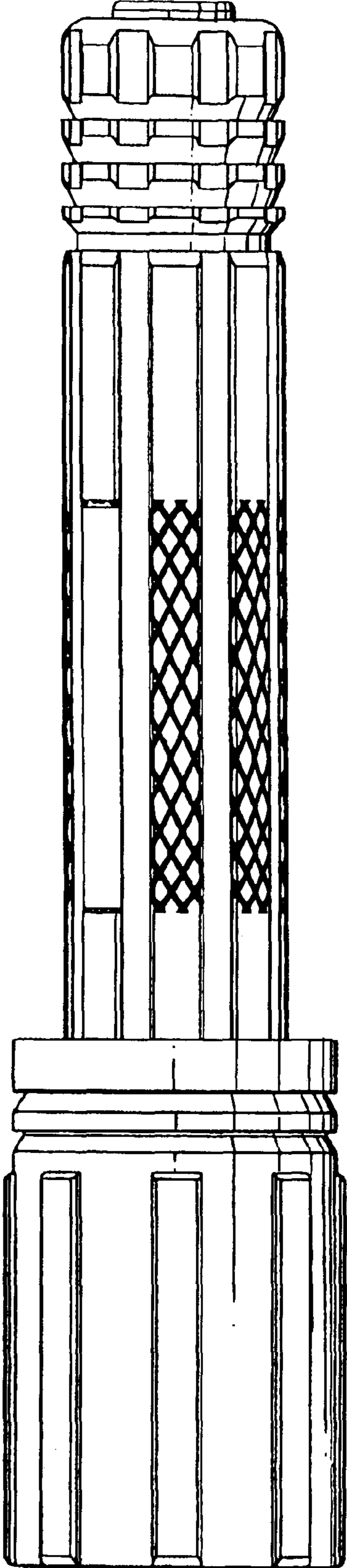


FIG. 4