



US00D496112S1

(12) **United States Design Patent**  
**Lin**

(10) **Patent No.:** **US D496,112 S**  
(45) **Date of Patent:** **\*\* Sep. 14, 2004**

(54) **EXTERIOR SURFACE CONFIGURATION OF  
A VEHICLE FRONT LIGHT**

*Primary Examiner*—Marcus A. Jackson  
(74) *Attorney, Agent, or Firm*—Rosenberg, Klein & Lee

(76) **Inventor:** **Yu-Chu Lin**, No. 477, Chung Shan N.  
Rd., Yung Kang City, Tainan Hsien  
(TW)

(57) **CLAIM**

The ornamental design for an exterior surface configuration  
of a vehicle front light, as shown and described.

(\*\*) **Term:** **14 Years**

**DESCRIPTION**

(21) **Appl. No.:** **29/192,748**

FIG. 1 is a perspective view from the front left of an exterior  
surface configuration of a vehicle front light showing my  
present design;

(22) **Filed:** **Oct. 30, 2003**

(51) **LOC (7) Cl.** ..... **26-06**

FIG. 2 is a front view thereof;

(52) **U.S. Cl.** ..... **D26/28**

FIG. 3 is a left view thereof; and,

(58) **Field of Search** ..... D26/28-36; 362/61,  
362/80, 81, 82, 83, 83.4, 267, 269, 275,  
330-340

FIG. 4 is a top view thereof.

(56) **References Cited**

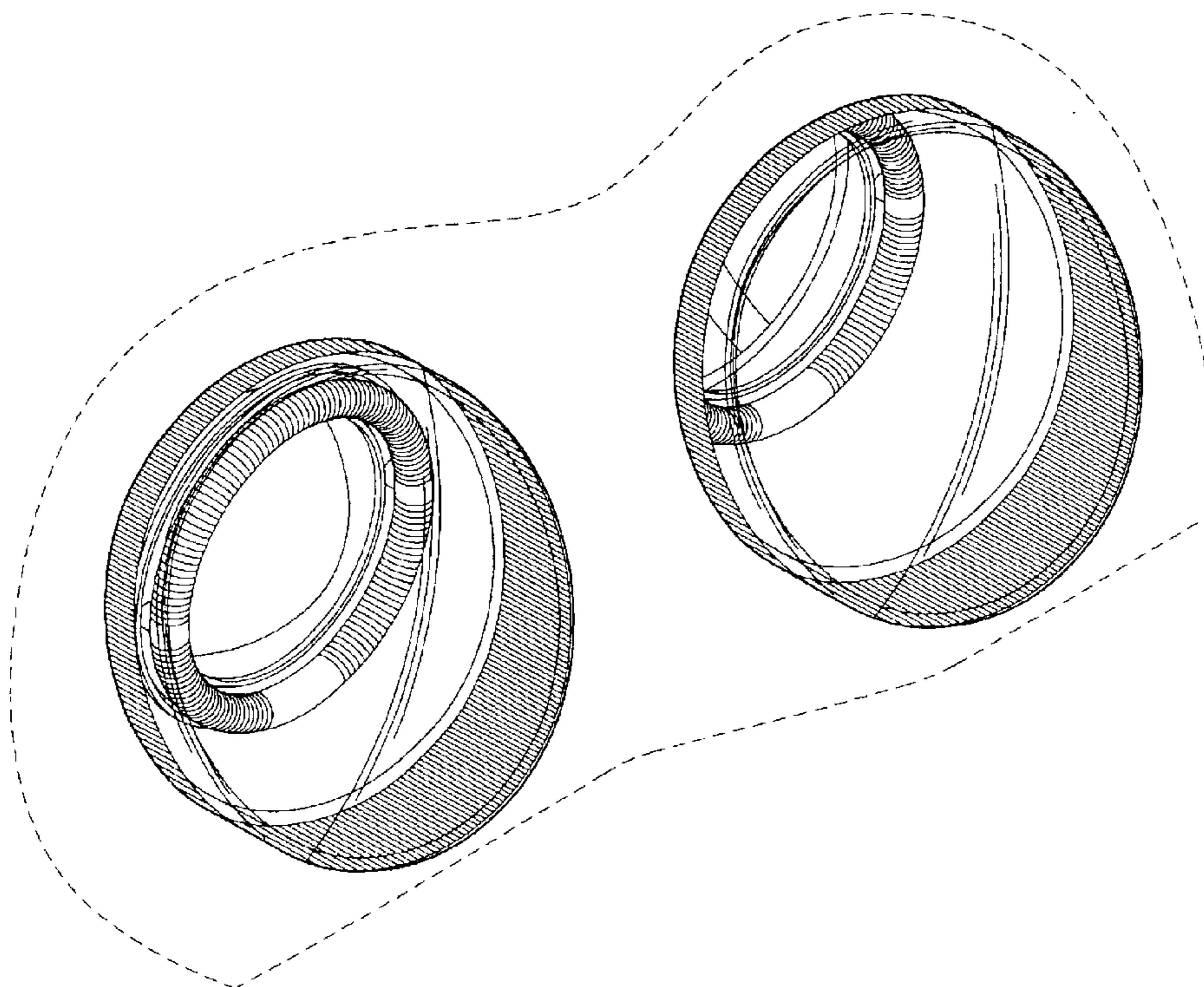
This design represents one embodiment of a design for an  
exterior surface configuration of a vehicle front light. The  
drawings and descriptions represent the left side embodi-  
ment. The design also contemplates a mirror symmetrical  
embodiment on the right side of the vehicle. The dash line  
included denotes environment and is not part of the claimed  
design.

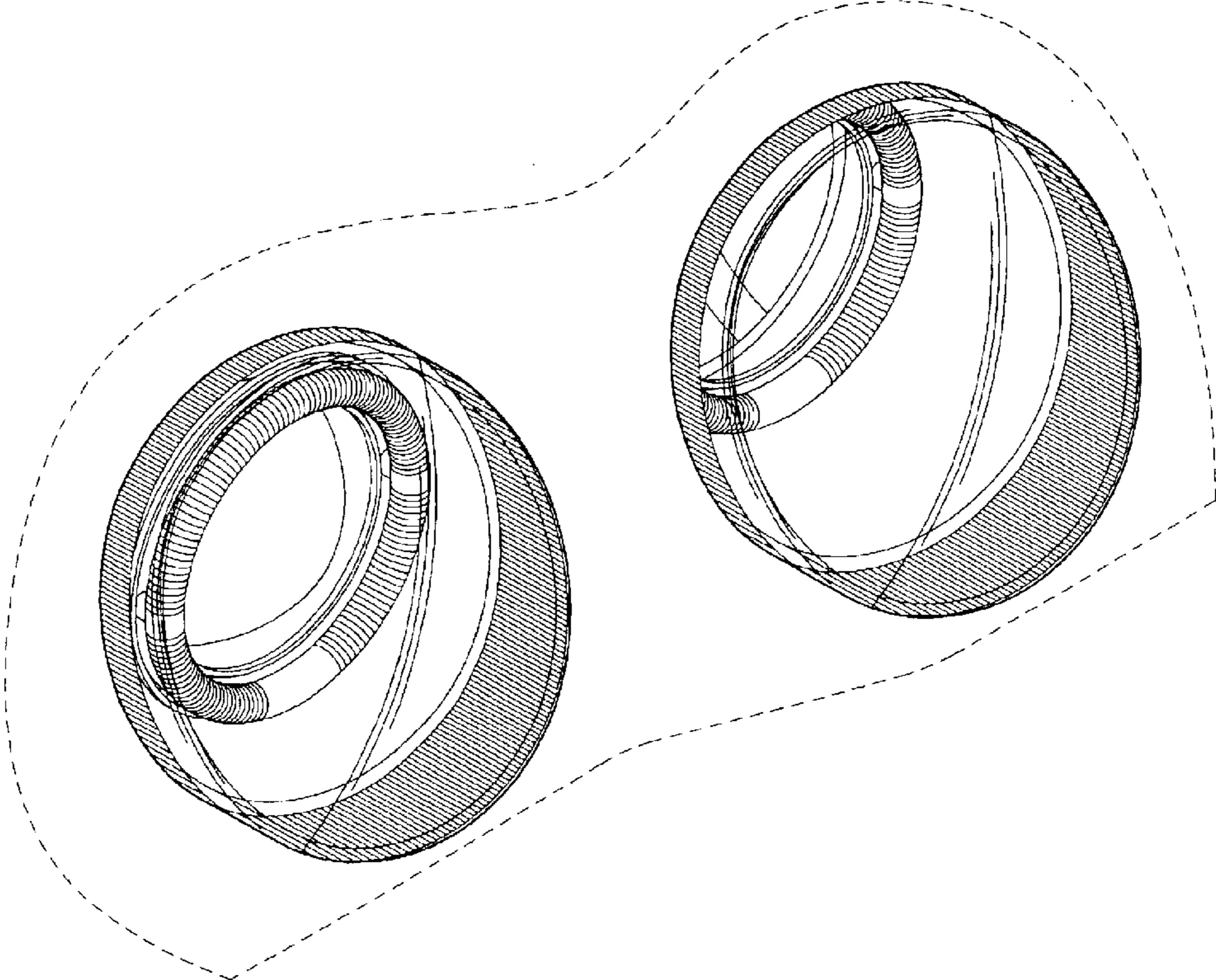
**U.S. PATENT DOCUMENTS**

D480,163 S \* 9/2003 Pfeiffer et al. .... D26/28  
D484,623 S \* 12/2003 Liao ..... D26/28  
D485,625 S \* 1/2004 Egly et al. .... D26/28

\* cited by examiner

**1 Claim, 4 Drawing Sheets**





F I G . 1

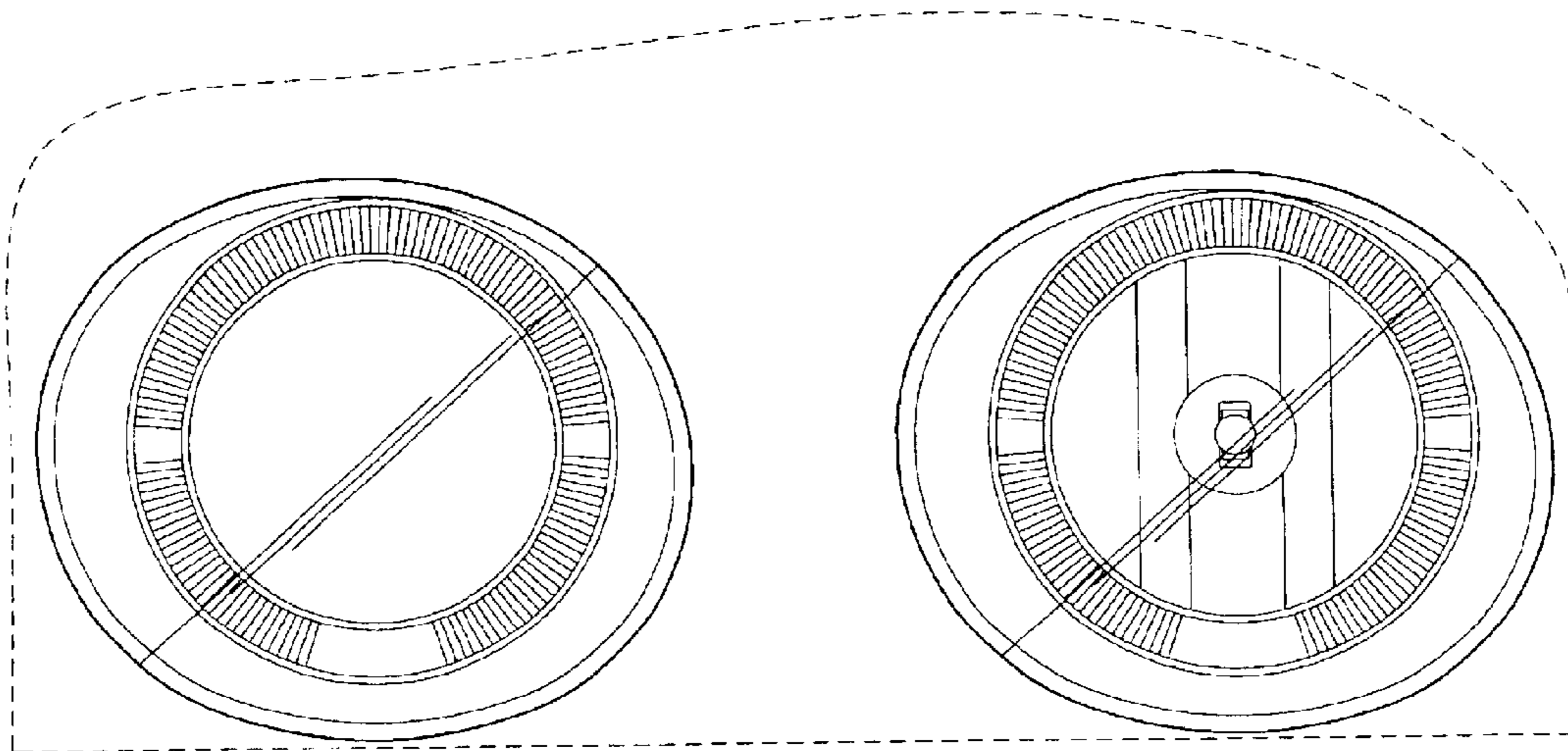


FIG. 2

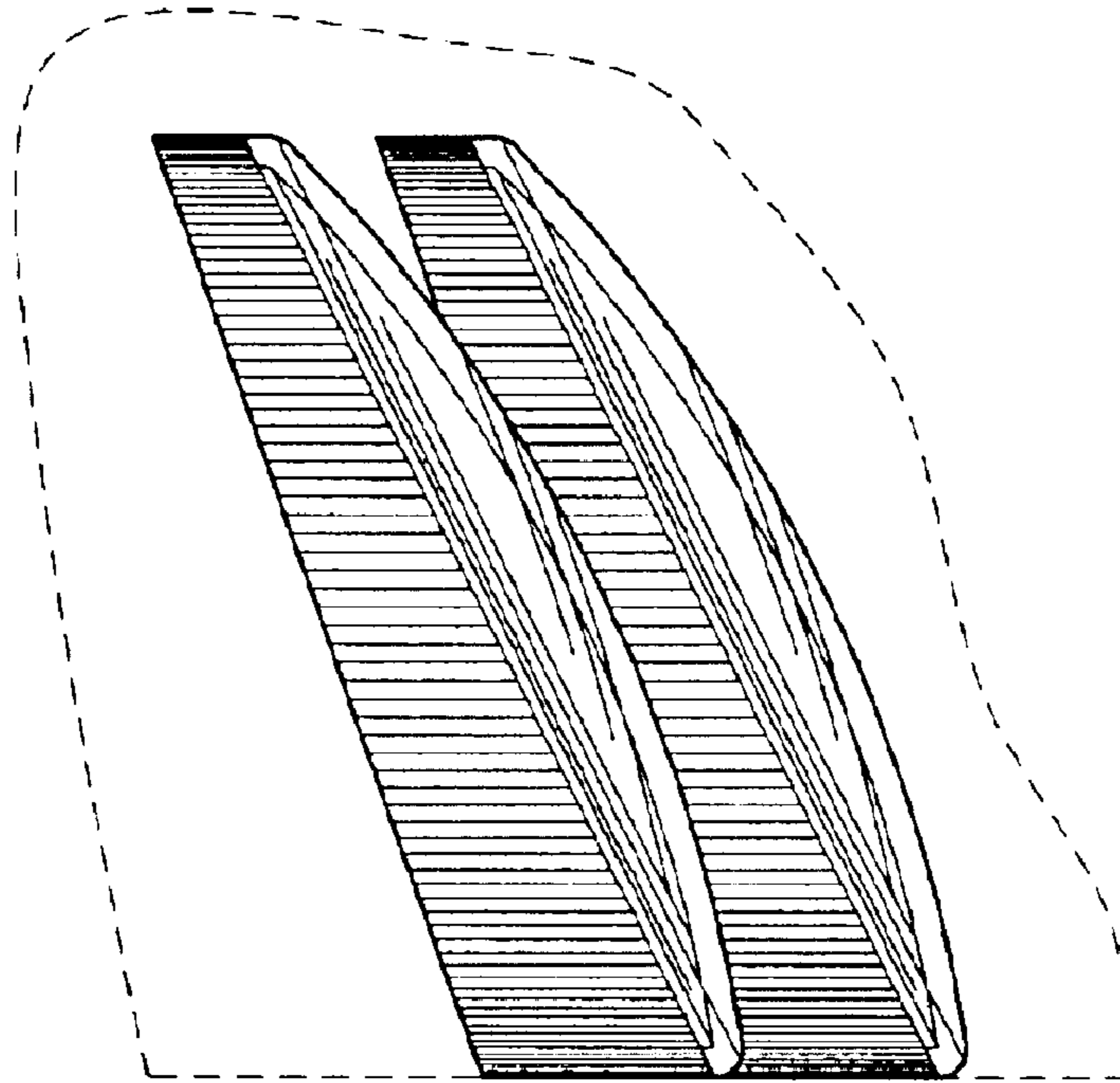
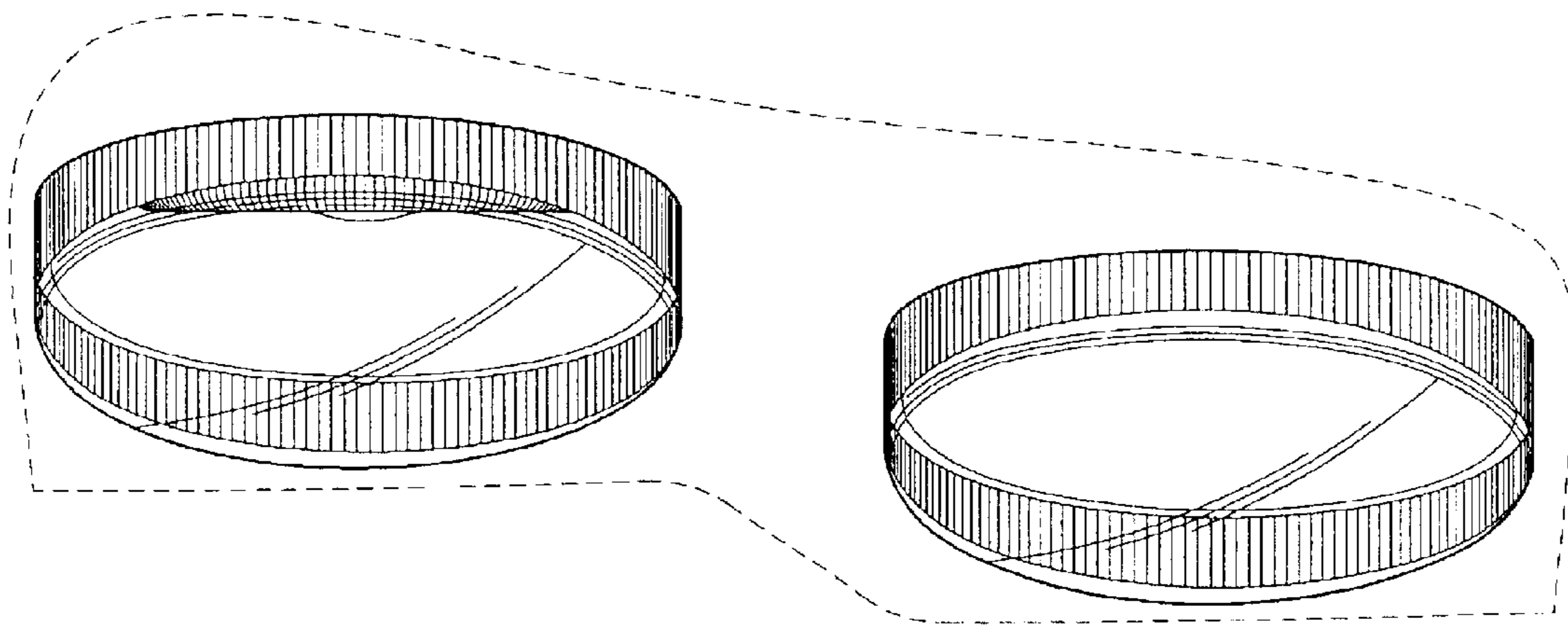


FIG. 3



F I G . 4