

US00D496110S1

(12) **United States Design Patent**  
**Kim**

(10) **Patent No.:** **US D496,110 S**

(45) **Date of Patent:** **\*\* Sep. 14, 2004**

(54) **MASSAGER BALLS**

(76) **Inventor:** **Hakjin Kim**, 610 Ridgeview Ct.,  
Diamond Bar, CA (US) 91765

(\*\*) **Term:** **14 Years**

(21) **Appl. No.:** **29/185,716**

(22) **Filed:** **Jul. 2, 2003**

(51) **LOC (7) Cl.** ..... **24-04**

(52) **U.S. Cl.** ..... **D24/211; D24/212**

(58) **Field of Search** ..... **D24/200, 211,**  
**D24/212; 601/27, 28, 40, 118, 131, 134-138**

(56) **References Cited**

**U.S. PATENT DOCUMENTS**

- 1,981,379 A \* 11/1934 Thomson et al. .... 606/237
- 2,820,454 A \* 1/1958 Wright ..... 601/28
- 3,545,434 A \* 12/1970 Woodruff ..... 601/137
- 4,233,933 A \* 11/1980 Gray et al. .... 118/314
- 5,096,188 A \* 3/1992 Shen ..... 482/51

- 5,186,703 A \* 2/1993 Huang ..... 482/148
- D346,449 S \* 4/1994 Cheng ..... D24/211
- D373,195 S \* 8/1996 Hoff ..... D24/211

\* cited by examiner

*Primary Examiner*—Stella Reid

(74) *Attorney, Agent, or Firm*—Park & Sutton LLP; John K. Park

(57) **CLAIM**

The ornamental design for massager balls, as shown and described.

**DESCRIPTION**

FIG. 1 is a perspective view showing of my new design; FIG. 2 is a top view thereof; FIG. 3 is a side view thereof; and, FIG. 4 is a front view thereof.

The broken lines shown in FIGS. 1-4 are for illustrative purposes only and form no part of the claimed design.

**1 Claim, 4 Drawing Sheets**

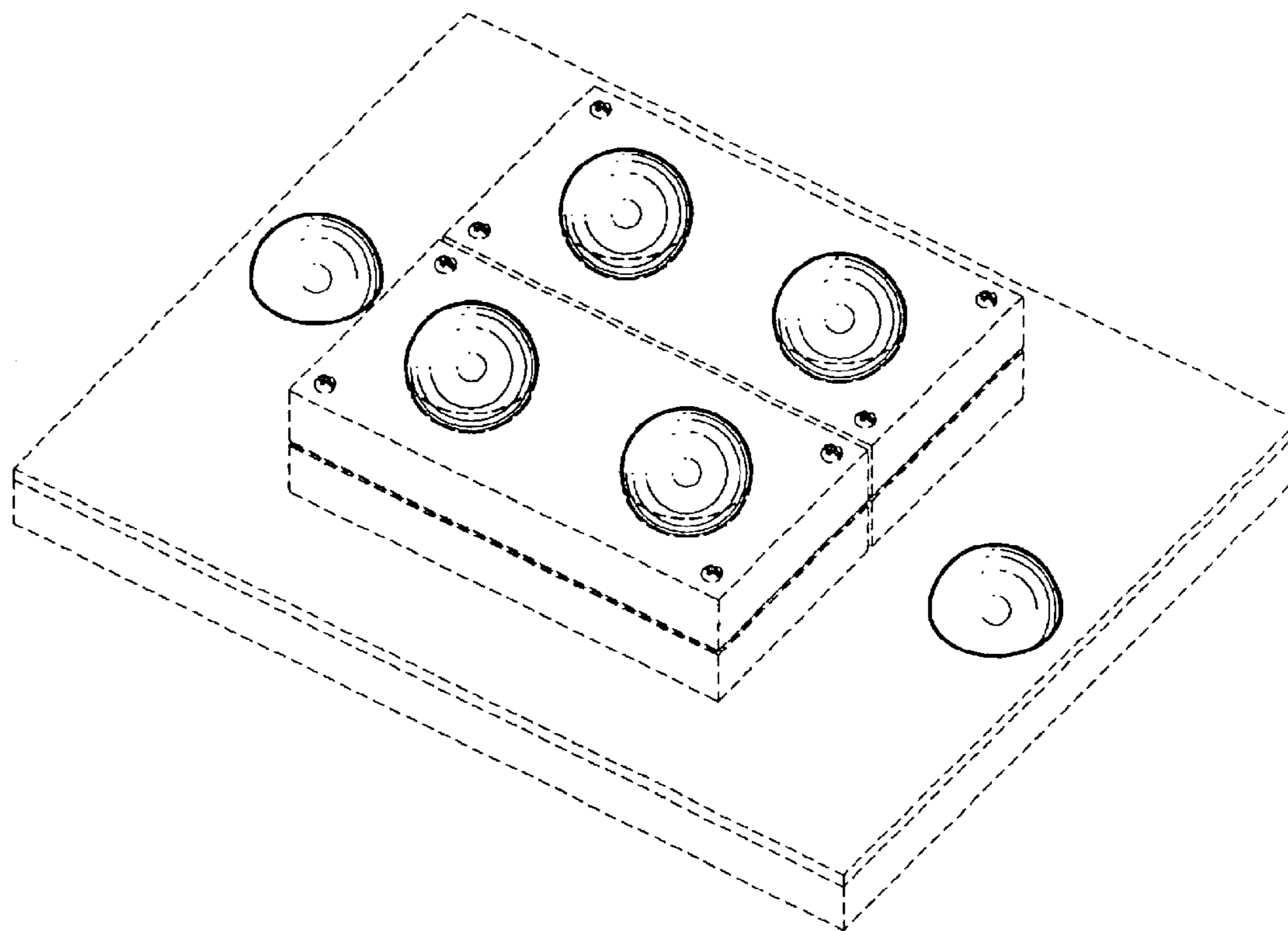


Fig. 1

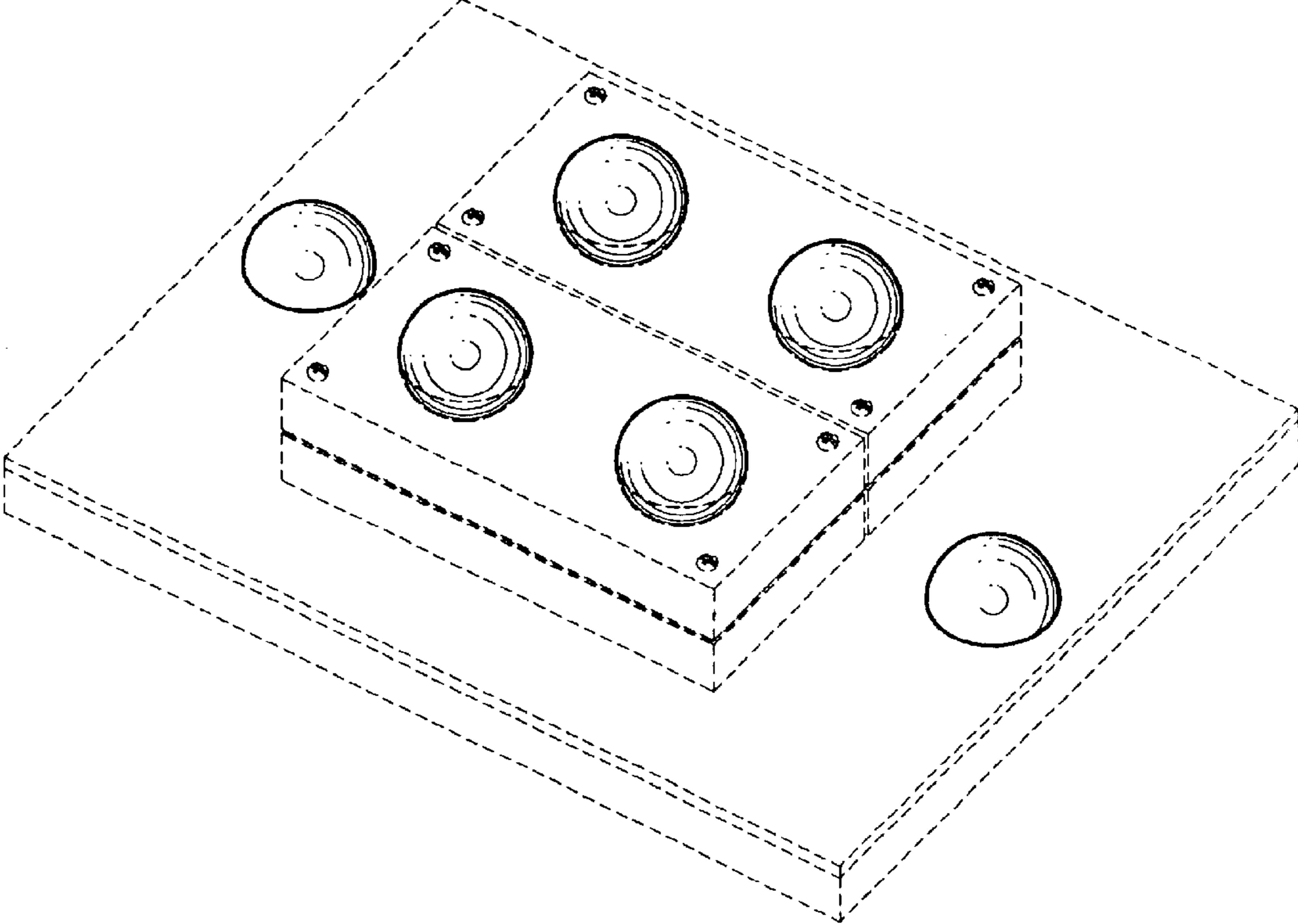


Fig. 2

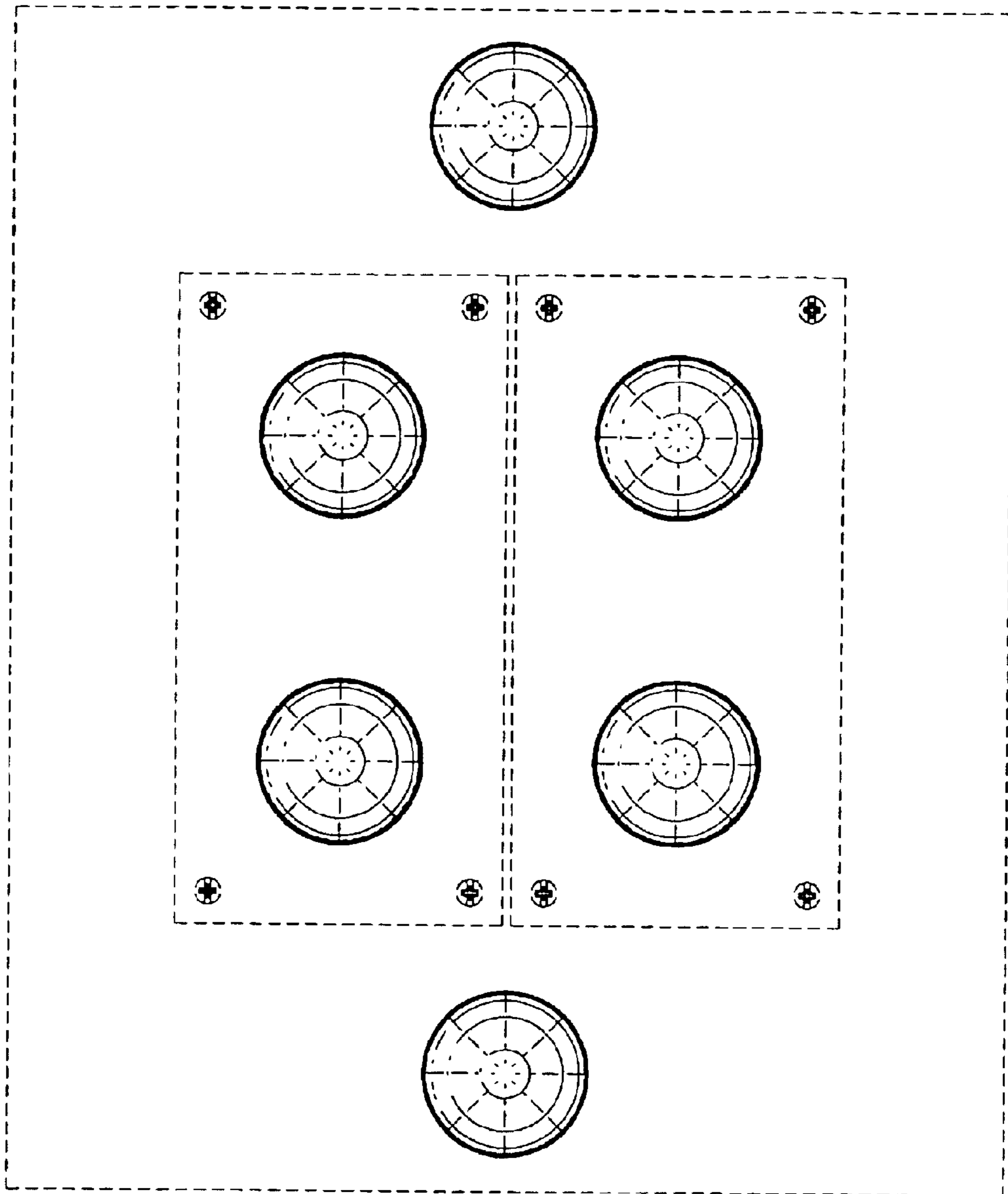


Fig. 3

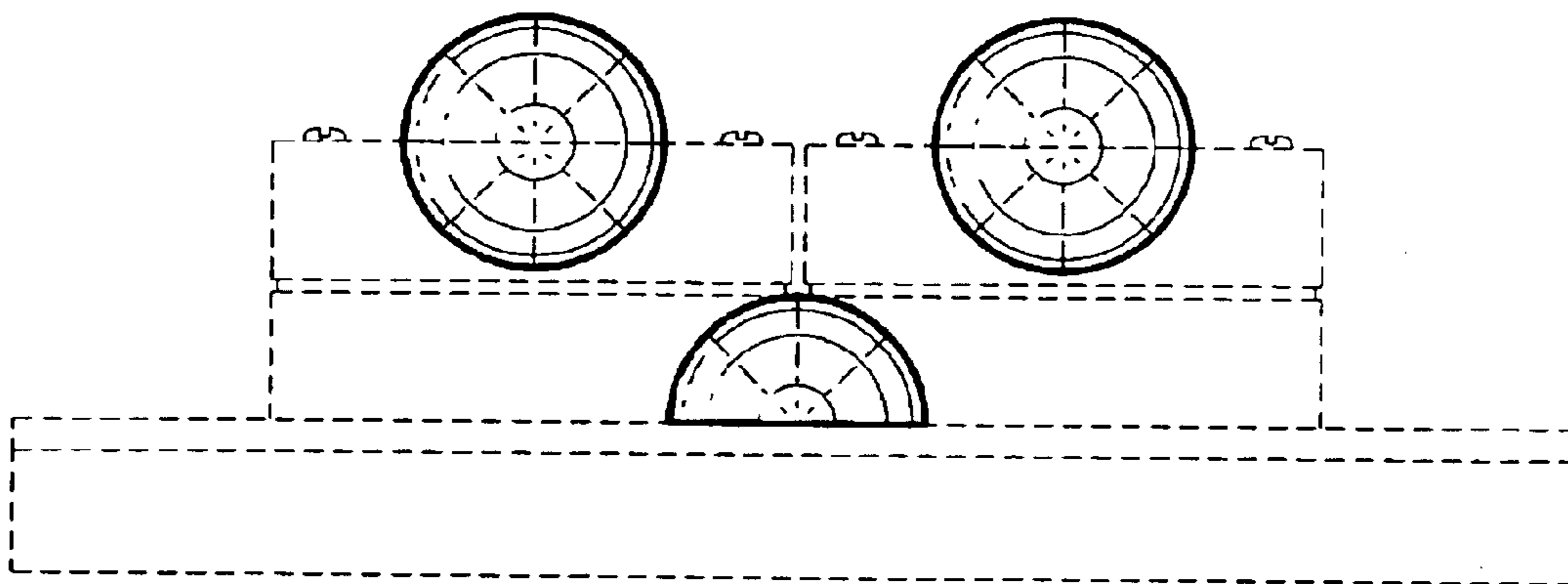


Fig. 4

