

US00D496098S1

(12) **United States Design Patent**
Guney et al.

(10) **Patent No.: US D496,098 S**
(45) **Date of Patent: ** Sep. 14, 2004**

(54) **SWIVEL ELBOW FOR MASK ASSEMBLY**

(75) Inventors: **Memduh Guney**, Killara (AU);
Anthony Ging, Summer Hill (AU);
Perry David Lithgow, Glenwood
(AU); **Jim Saada**, Kellyville (AU);
Amal Shirley Amarasinghe, West
Pennant Hills (AU); **Joanne Elizabeth
Drew**, Balgowlah (AU); **Borivoje
Ljubojevic**, Ryde (AU); **Timothy
Tsun-Fai Fu**, Carlingford (AU)

(73) Assignee: **ResMed Limited**, North Ryde (AU)

(**) Term: **14 Years**

(21) Appl. No.: **29/170,561**

(22) Filed: **Nov. 8, 2002**

(51) **LOC (7) Cl.** **29-02**

(52) **U.S. Cl.** **D24/110.1; D24/110.5;**
D24/129

(58) **Field of Search** D24/110.1, 129,
D24/110.4, 110.5, 164; 128/205.25, 207.13,
206.21, 205.24, 202.27, 204.18, 912, 206.24,
206.27, 206.15

(56) **References Cited**

U.S. PATENT DOCUMENTS

4,794,921 A * 1/1989 Lindkvist 128/206.24

4,807,617 A *	2/1989	Nesti	128/205.25
5,662,101 A *	9/1997	Ogden et al.	128/205.25
5,921,239 A *	7/1999	McCall et al.	128/205.25
5,937,851 A *	8/1999	Serowski et al.	128/205.25
6,192,886 B1 *	2/2001	Rudolph	128/207.13
6,532,961 B1 *	3/2003	Kwok et al.	128/206.21
6,581,594 B1 *	6/2003	Drew et al.	128/205.24
2002/0023650 A1 *	2/2002	Gunaratnam et al. ..	128/205.25
2003/0005931 A1	1/2003	Jaffre et al.	
2003/0075180 A1 *	4/2003	Raje et al.	128/206.24

* cited by examiner

Primary Examiner—Ian Simmons

(74) *Attorney, Agent, or Firm*—Nixon & Vanderhye P.C.

(57) **CLAIM**

The ornamental design for a swivel elbow for mask assembly, as shown and described.

DESCRIPTION

FIG. 1 is a front view of a swivel elbow according to our design;

FIG. 2 is a rear view thereof;

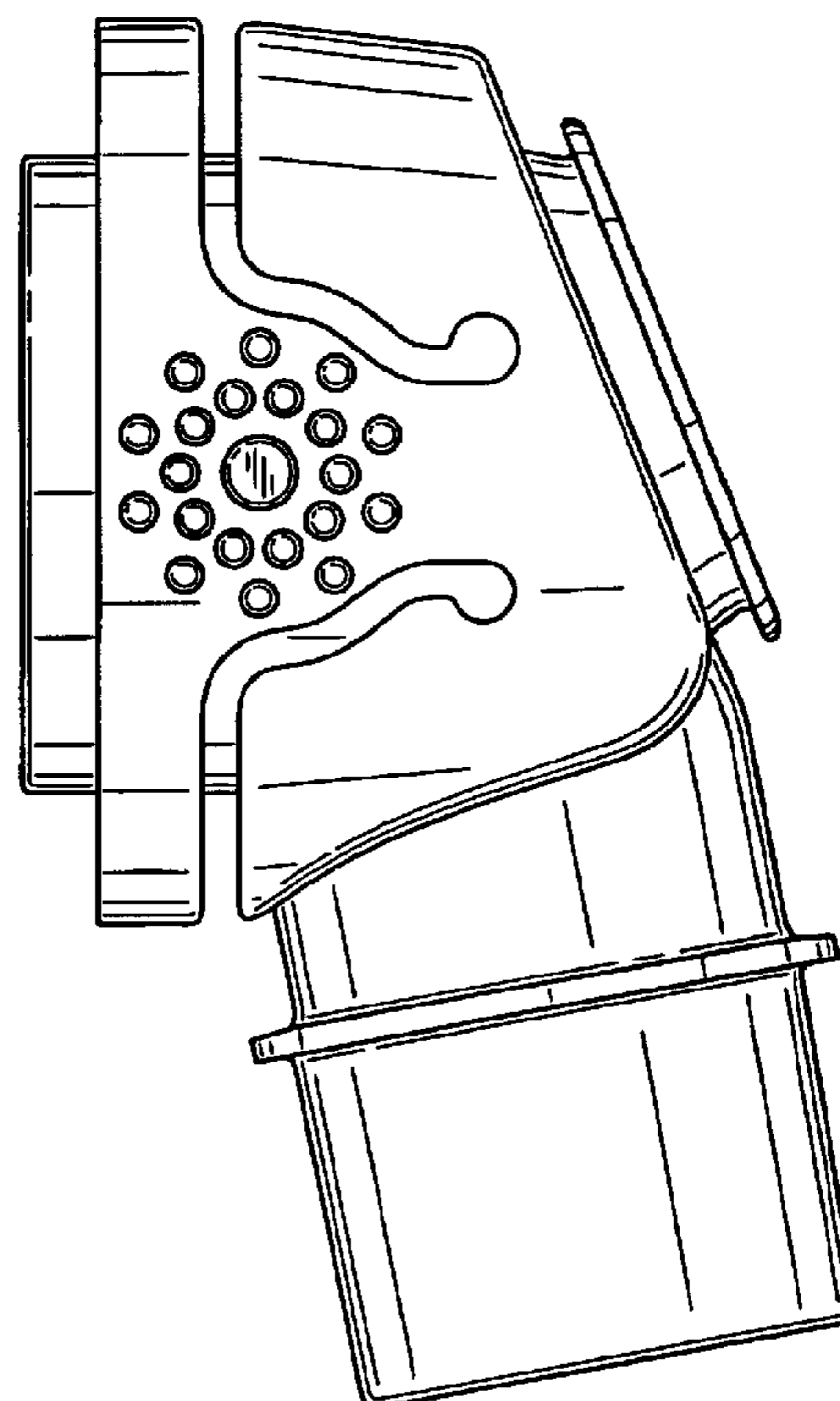
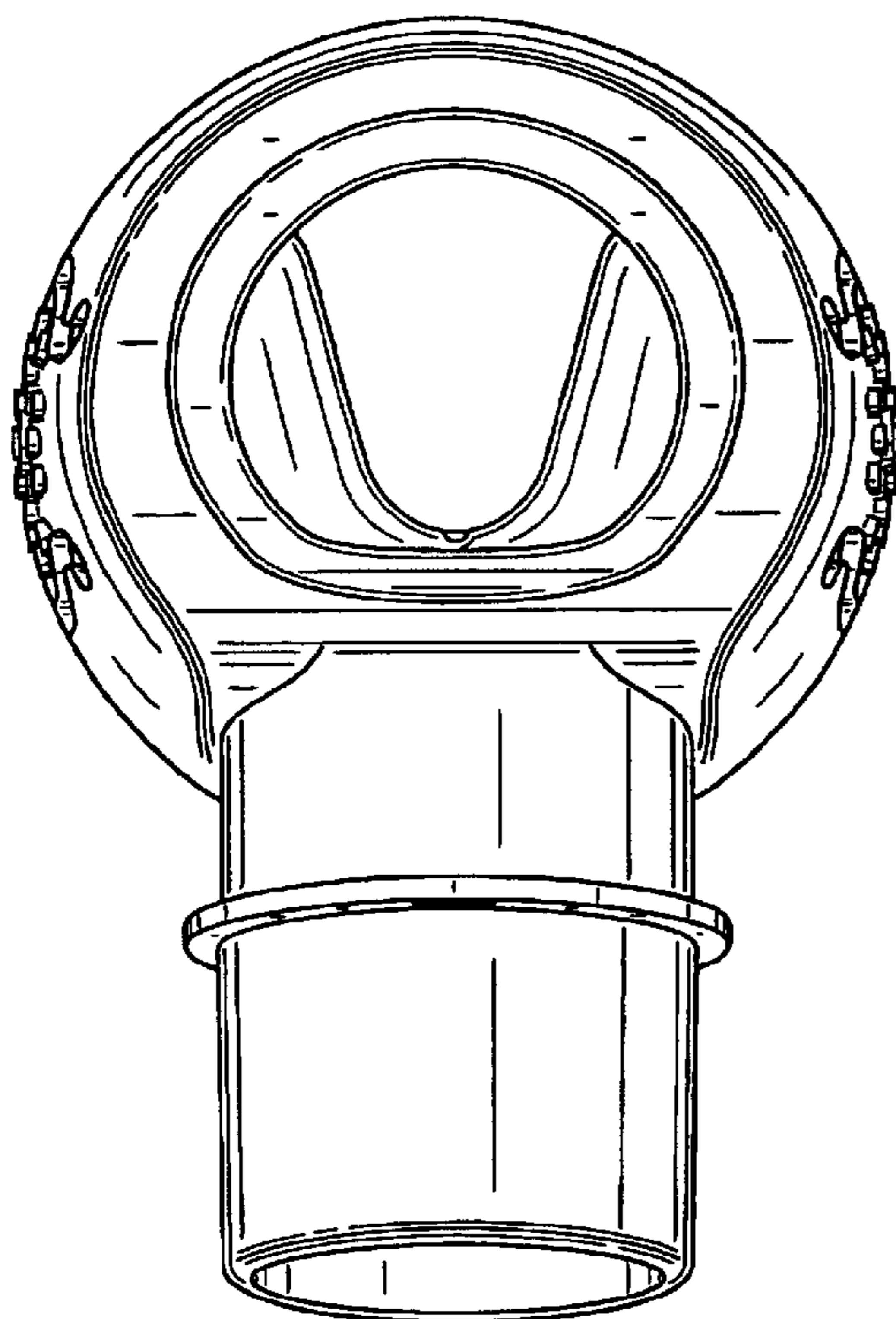
FIG. 3 is a left side view thereof;

FIG. 4 is a right side view thereof;

FIG. 5 is a top view thereof; and,

FIG. 6 is a bottom view thereof.

1 Claim, 6 Drawing Sheets



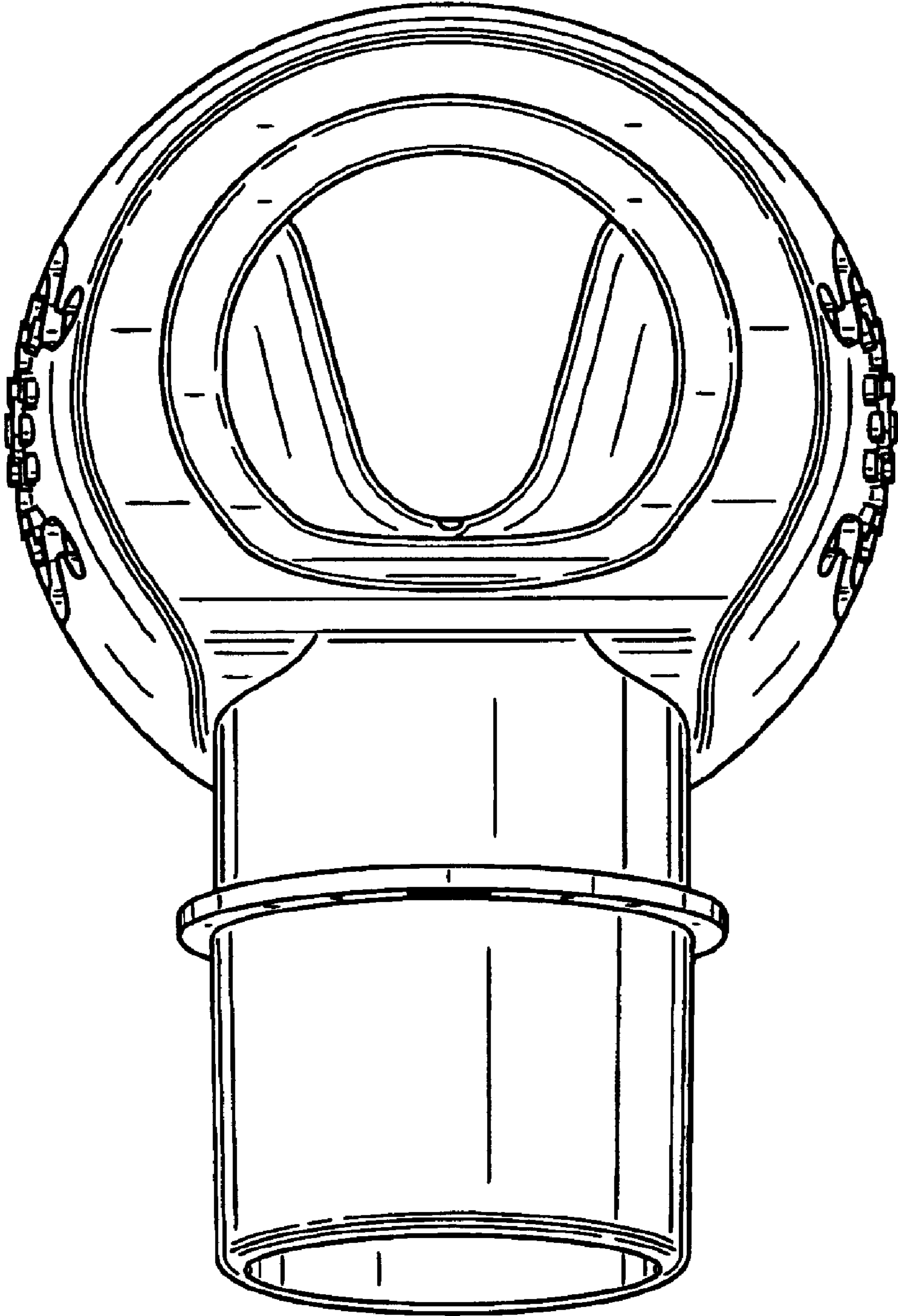


FIG. 1

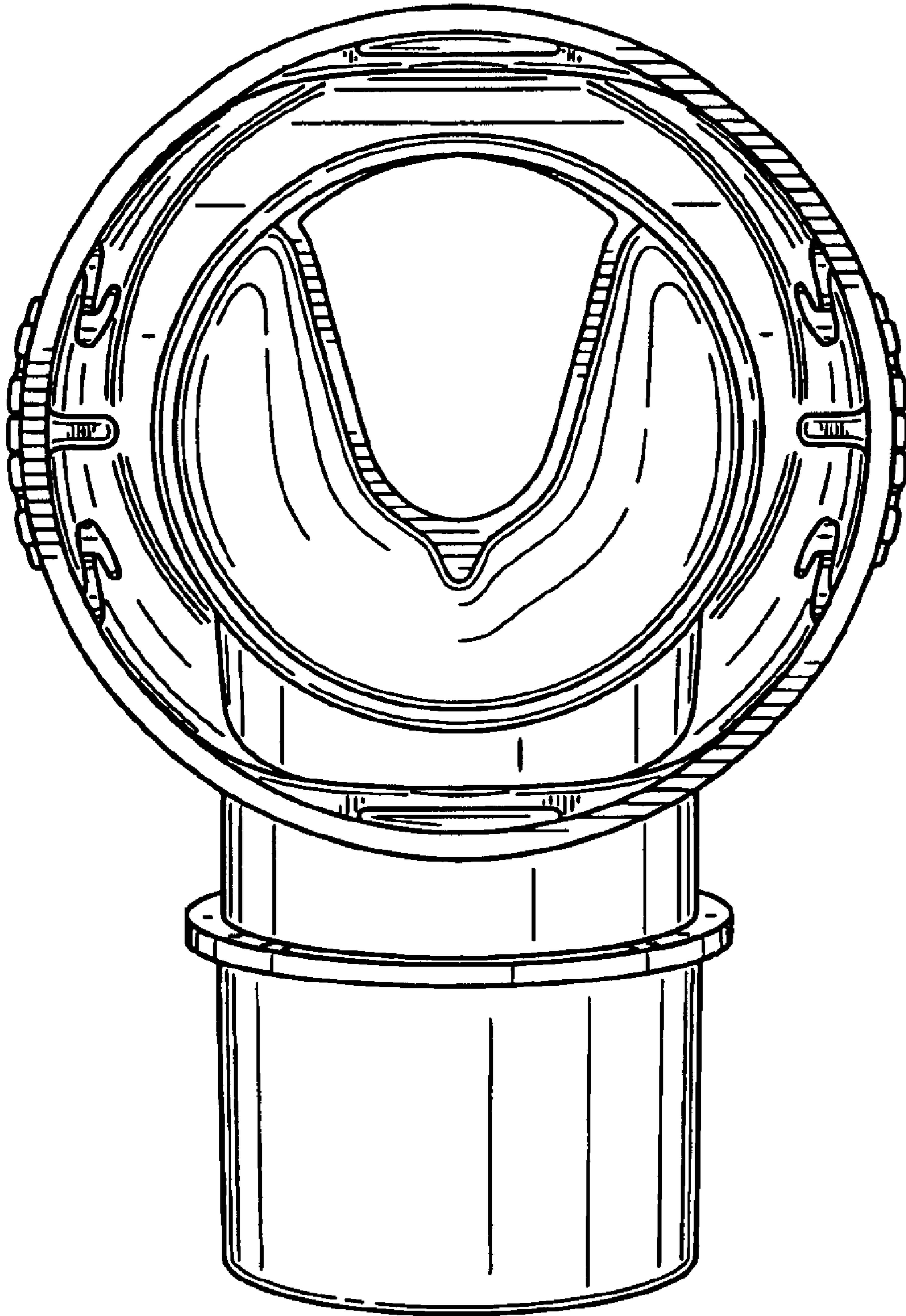


FIG. 2

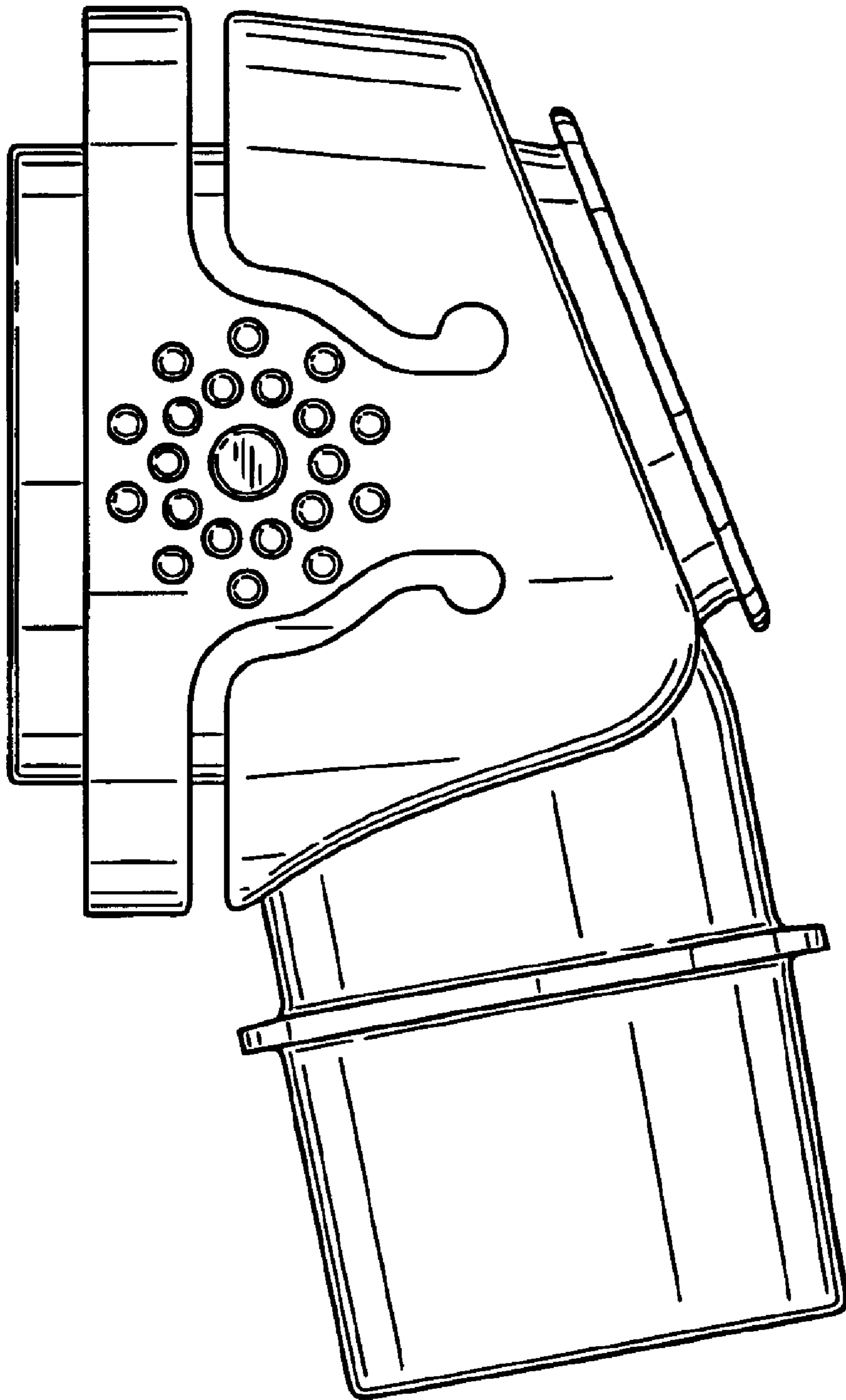


FIG. 3

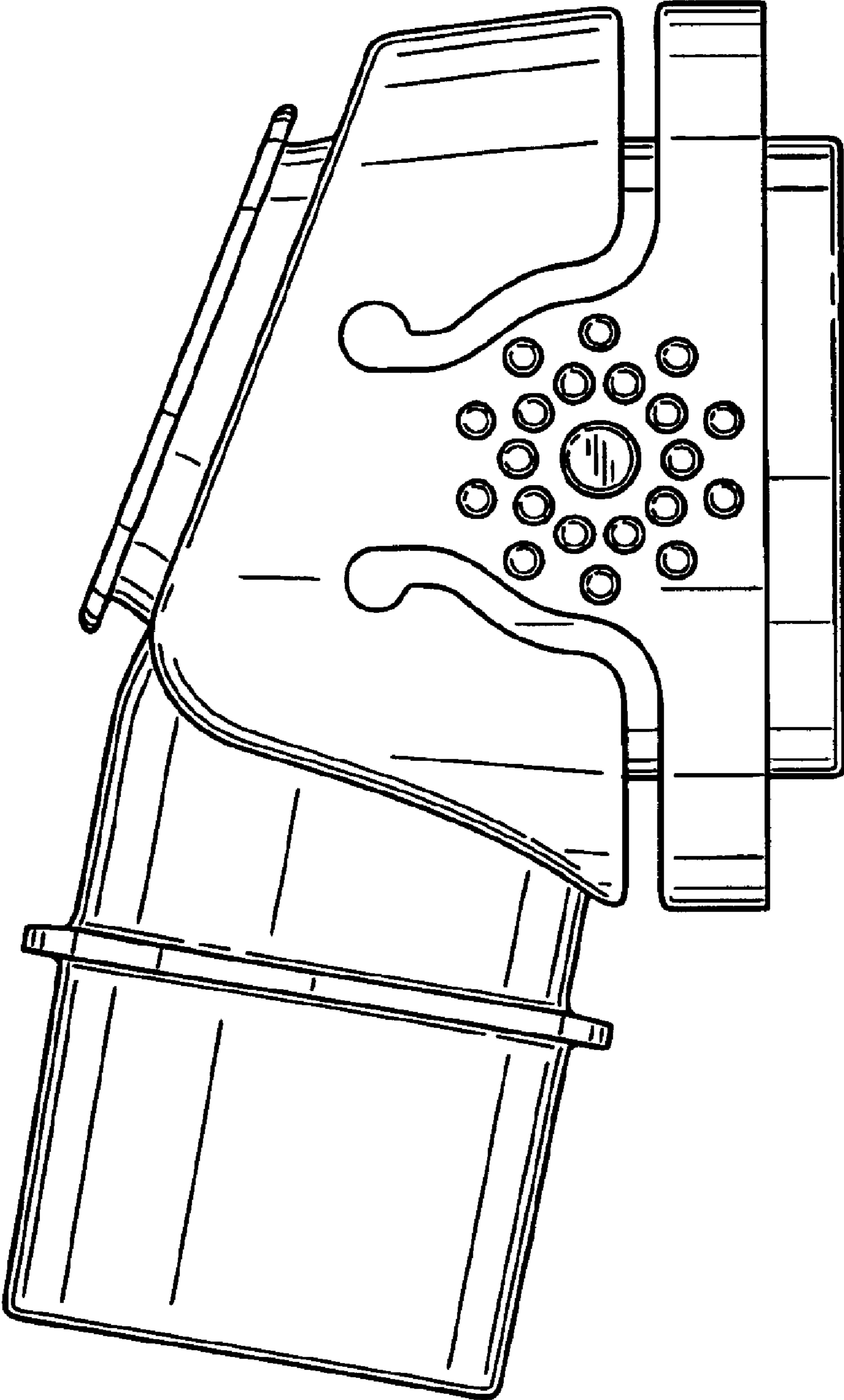


FIG. 4

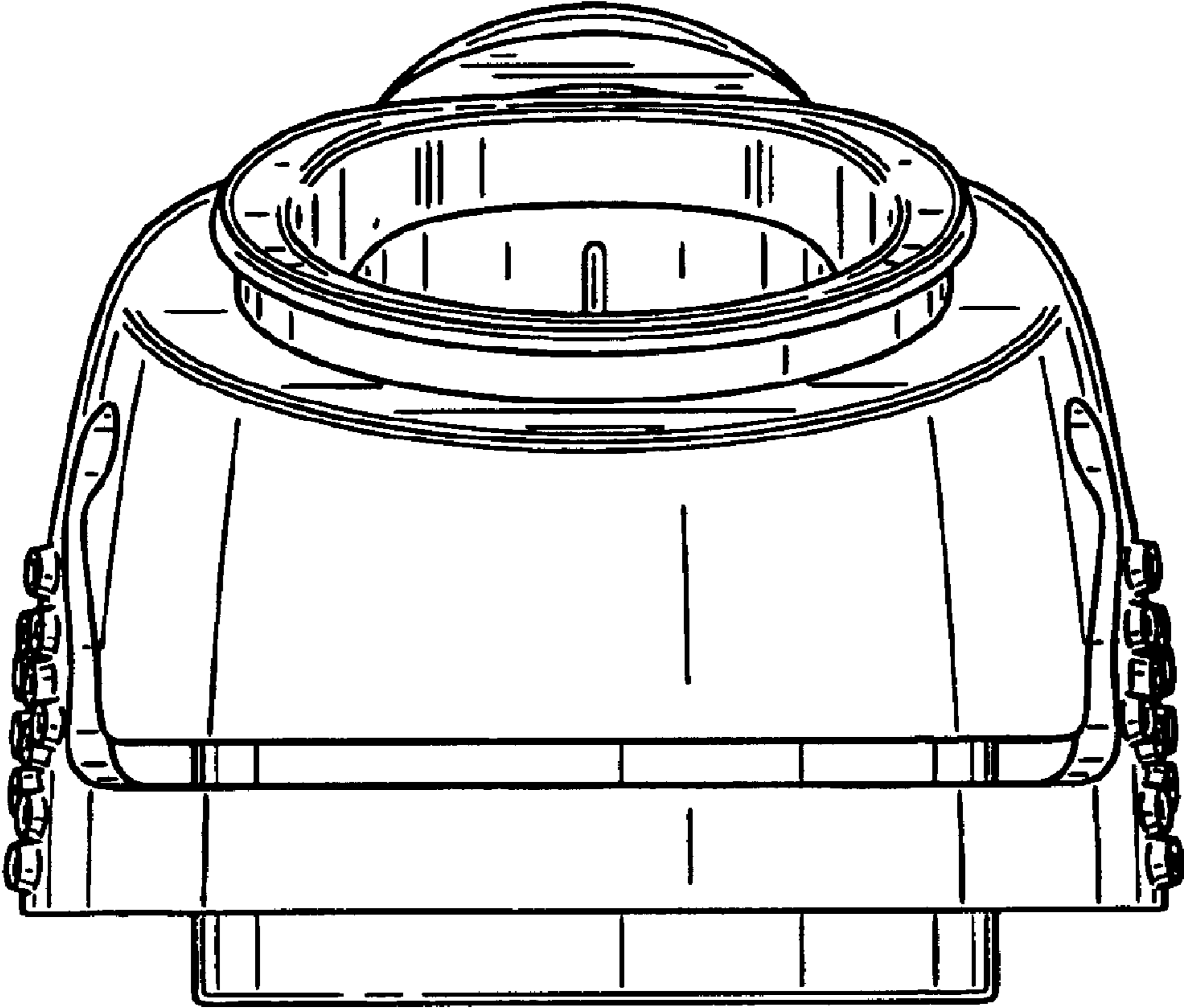


FIG. 5

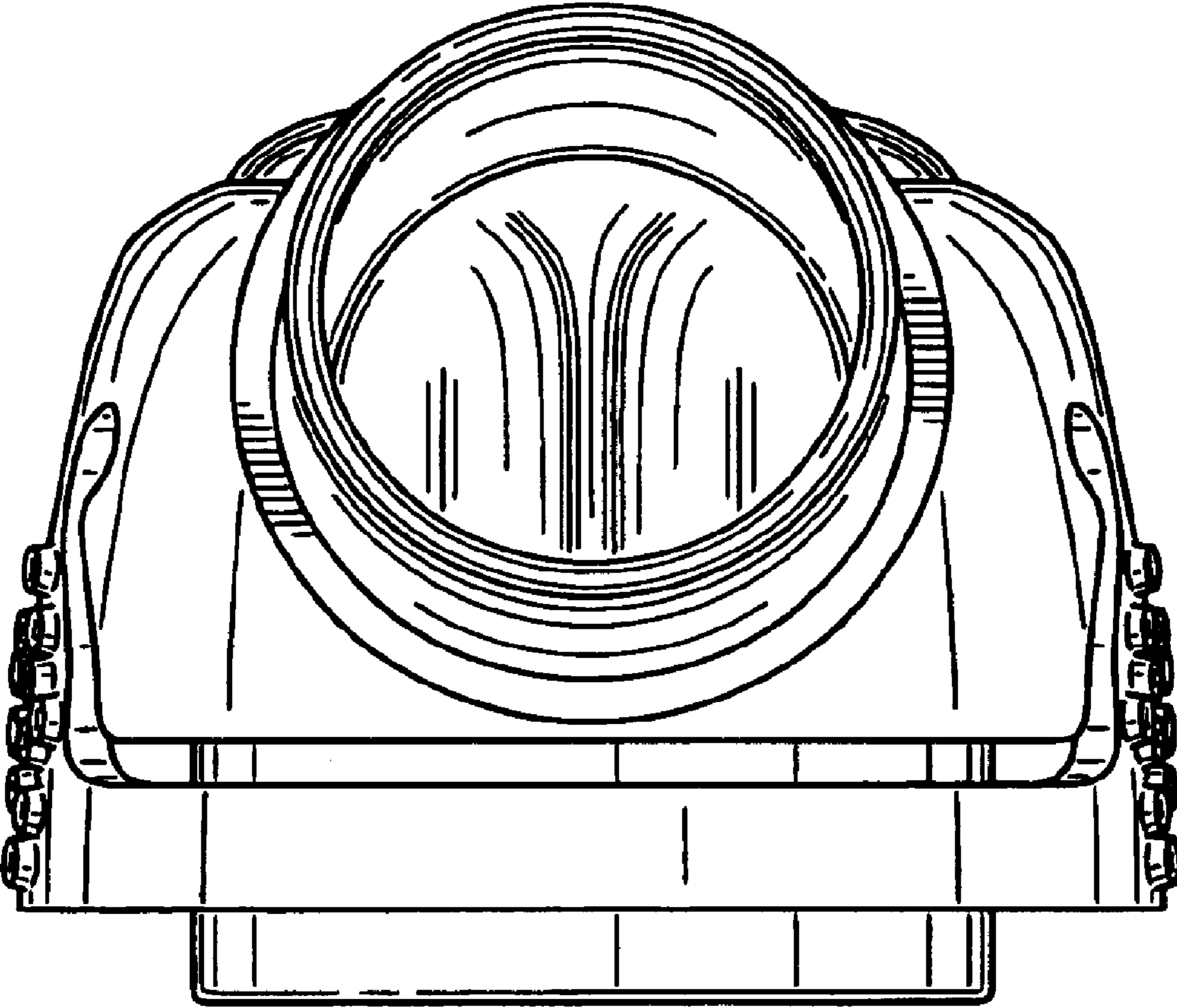


FIG. 6