

US00D496097S1

(12) **United States Design Patent**
Rosnak et al.

(10) **Patent No.: US D496,097 S**
(45) **Date of Patent: ** Sep. 14, 2004**

(54) **BREAST PUMP**

(75) Inventors: **Robert F. Rosnak**, Muskegon, MI (US); **Chad E. Davis**, Chicago, IL (US); **Mark P. Slaven**, Evanston, IL (US)

(73) Assignee: **Gerber Products Company**, Fremont, MI (US)

(**) Term: **14 Years**

(21) Appl. No.: **29/188,891**

(22) Filed: **Aug. 26, 2003**

(51) **LOC (7) Cl.** **24-02**

(52) **U.S. Cl.** **D24/109**

(58) **Field of Search** D24/109; 604/76, 604/75, 74

(56) **References Cited**

U.S. PATENT DOCUMENTS

4,813,932 A	*	3/1989	Hobbs	604/74
D307,478 S		4/1990	Morifuji	
D309,500 S		7/1990	Yuan et al.	
D313,103 S		12/1990	Kawano	
D326,319 S		5/1992	Chambers	
D326,516 S		5/1992	Chambers	
D345,209 S		3/1994	Shoda et al.	
5,415,632 A		5/1995	Samson	
D372,777 S		8/1996	Kan	
5,749,850 A		5/1998	Williams et al.	
5,843,029 A		12/1998	Bachman et al.	
D408,528 S		4/1999	Kan	
D418,598 S		1/2000	Jauch	
D420,443 S		2/2000	Morifuji	
6,152,896 A		11/2000	Bachman et al.	

D446,300 S		8/2001	Kirchner	
2003/0191432 A1		10/2003	Silver	
2003/0204164 A1	*	10/2003	Britto et al.	604/74
2004/0039330 A1	*	2/2004	Silver	604/74

FOREIGN PATENT DOCUMENTS

WO WO 03/013628 8/2002

* cited by examiner

Primary Examiner—Ian Simmons

(74) *Attorney, Agent, or Firm*—John W. Kung

(57) **CLAIM**

The ornamental design of a breast pump, as shown and described.

DESCRIPTION

FIG. 1 is a rear perspective view of a breast pump showing our new design;

FIG. 2 is a front elevational view of the breast pump shown in FIG. 1;

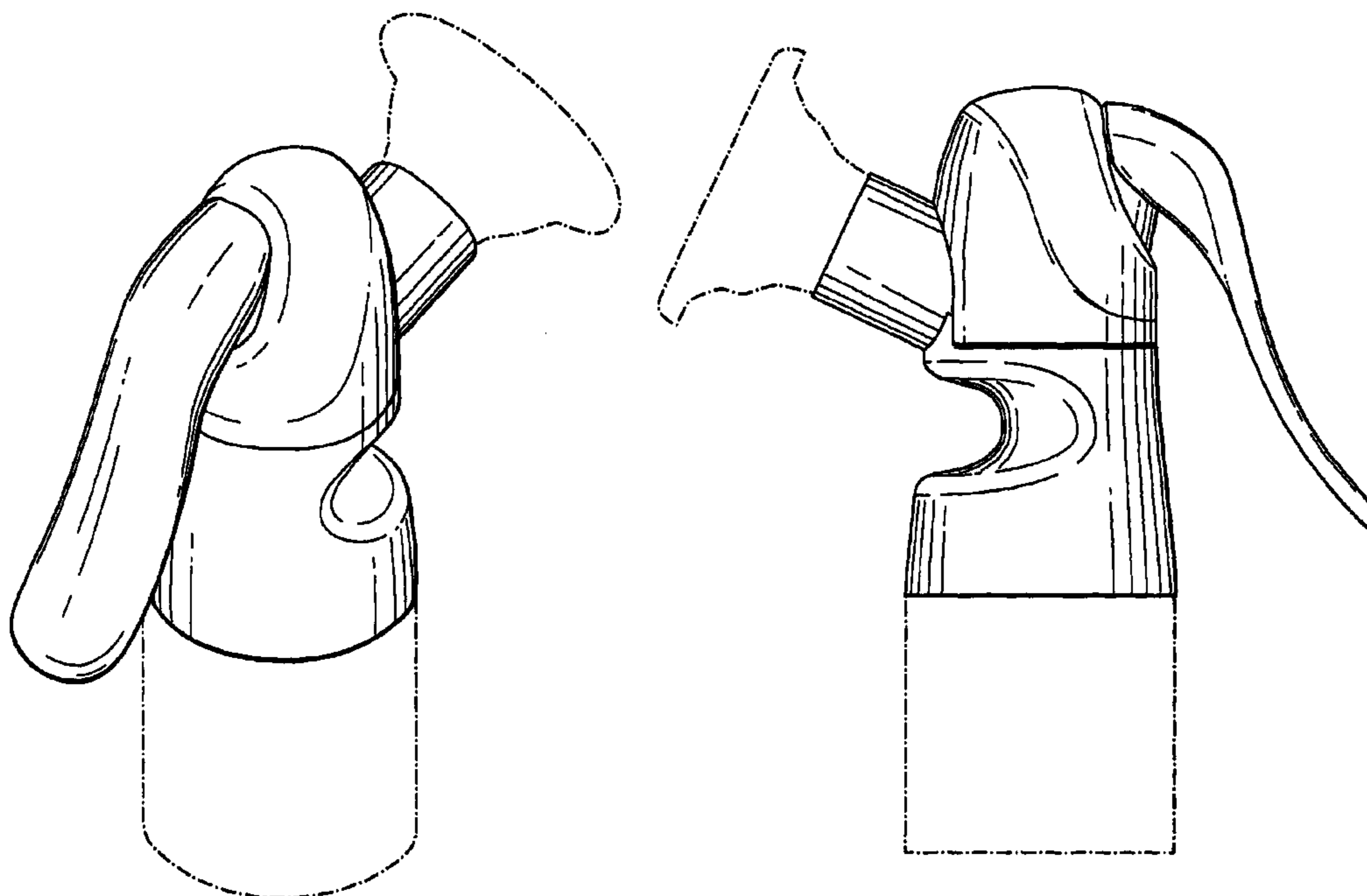
FIG. 3 is a rear elevational view of the breast pump shown in FIG. 1;

FIG. 4 is a left side elevational view of the breast pump shown in FIG. 1, the right side being a mirror image of the left side; and,

FIG. 5 is a top plan view of the breast pump shown in FIG. 1.

The broken line showing of the funnel and bottle in the FIGS. 1 through 5 is for illustrative purposes only and forms no part of our claimed design. The bottom of the breast pump is not visible in its normal or intended use. Therefore, the bottom view is not a matter or ornamental concern, and has been omitted from the drawings.

1 Claim, 4 Drawing Sheets



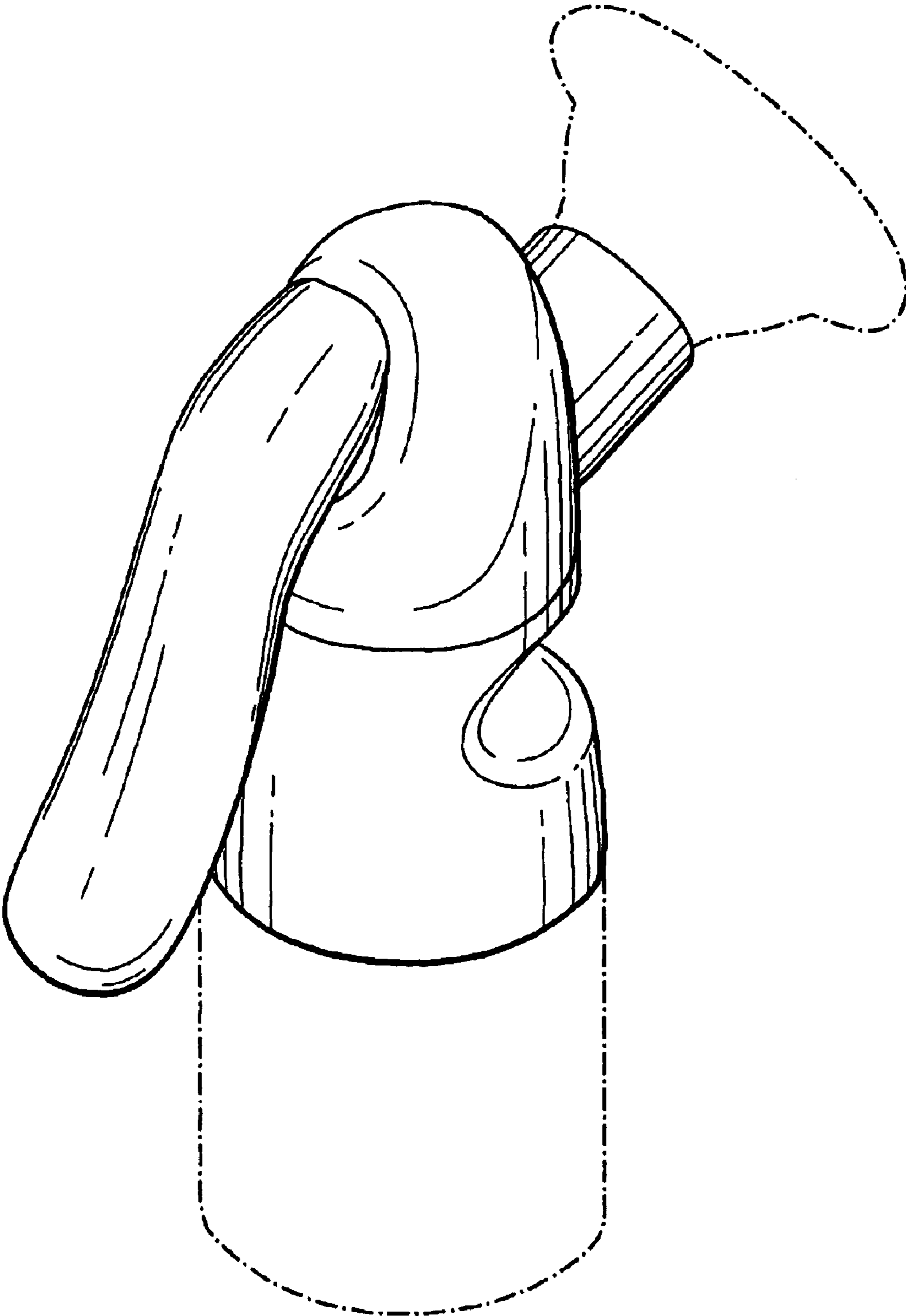


FIG. 1

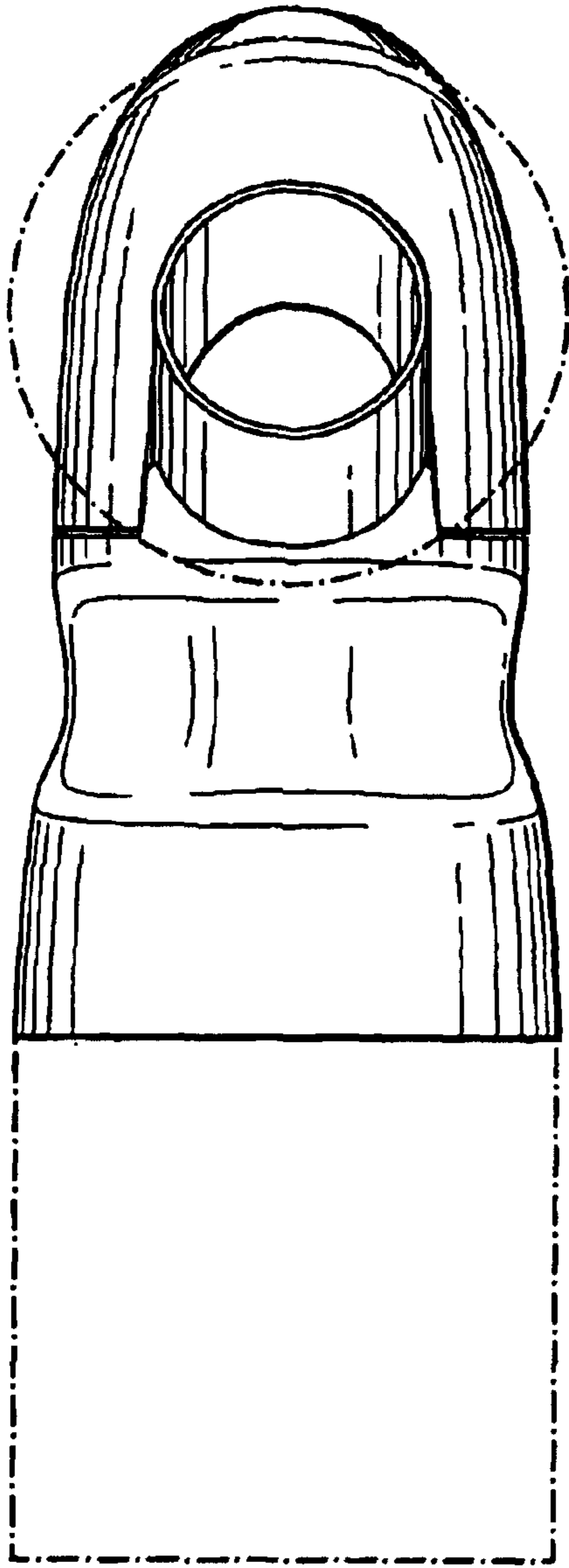


FIG. 2

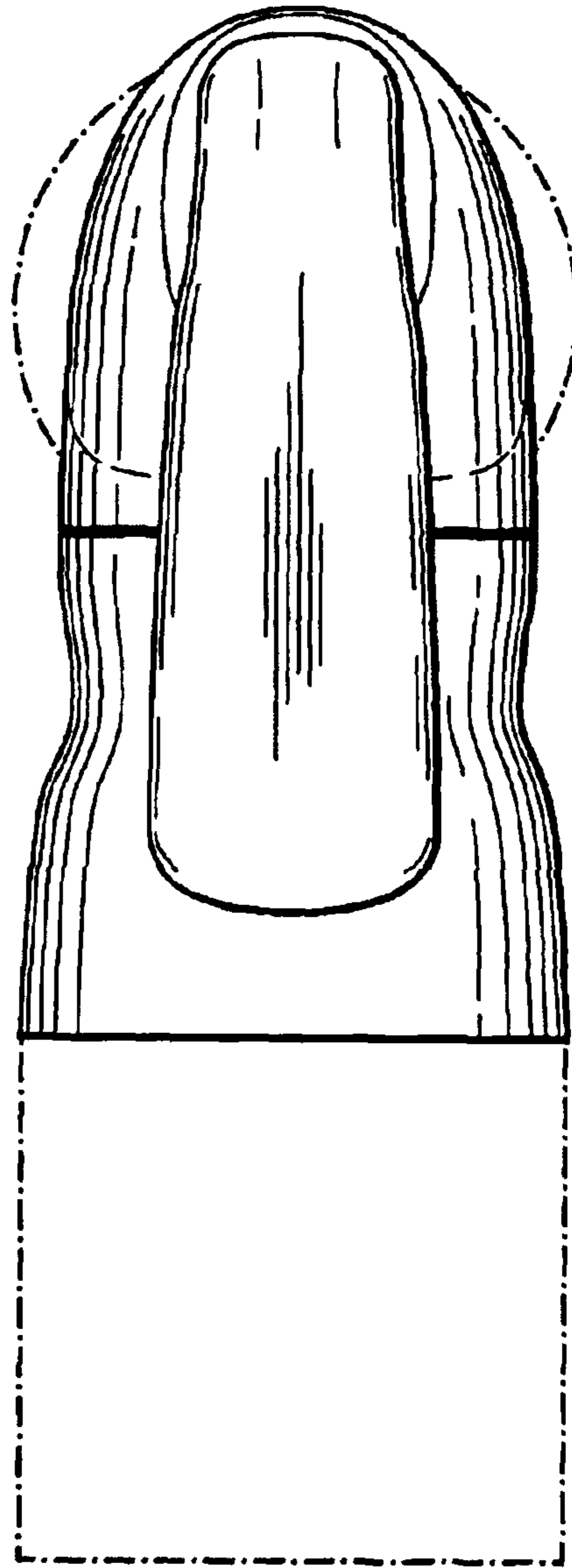


FIG. 3

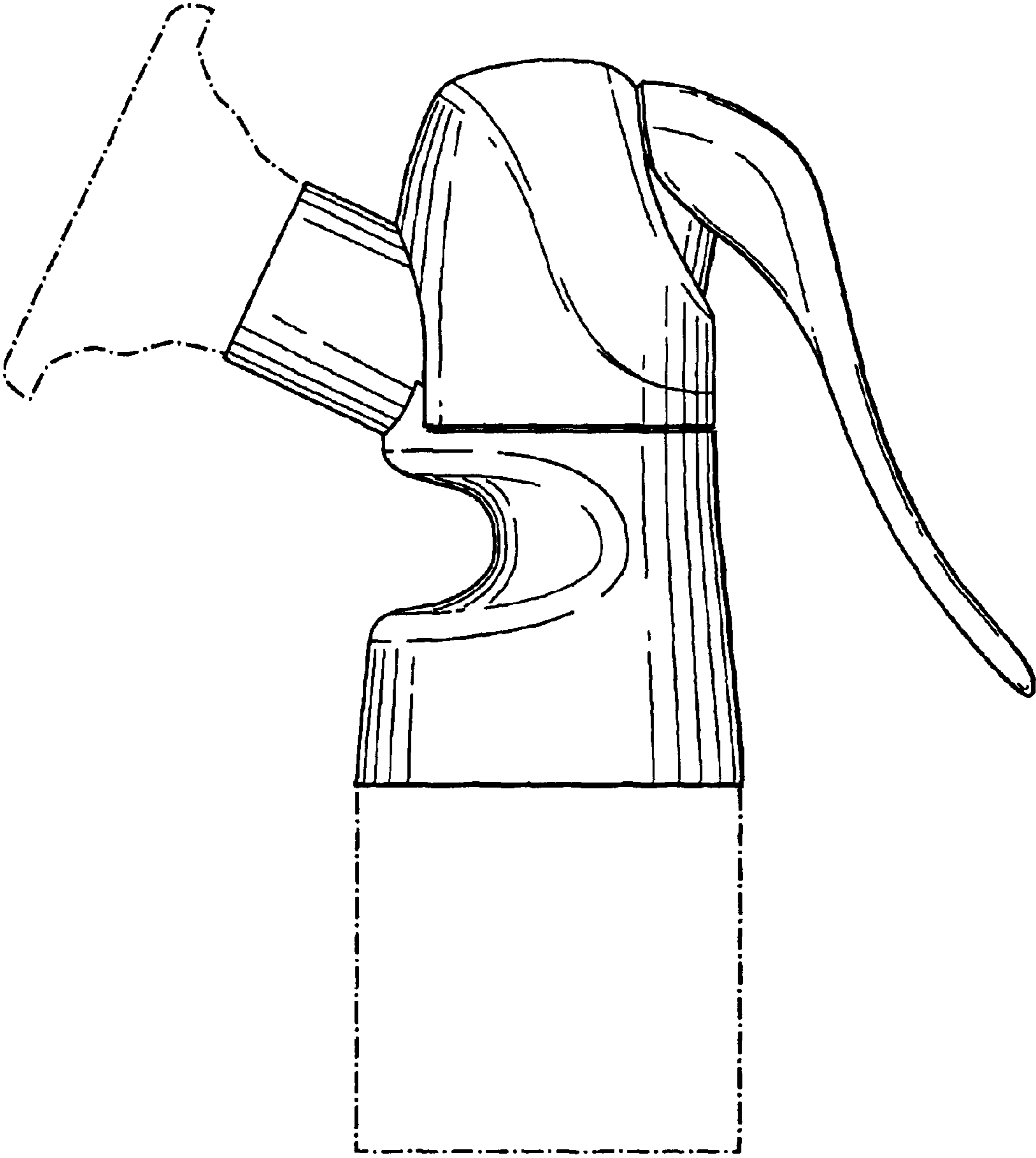


FIG. 4

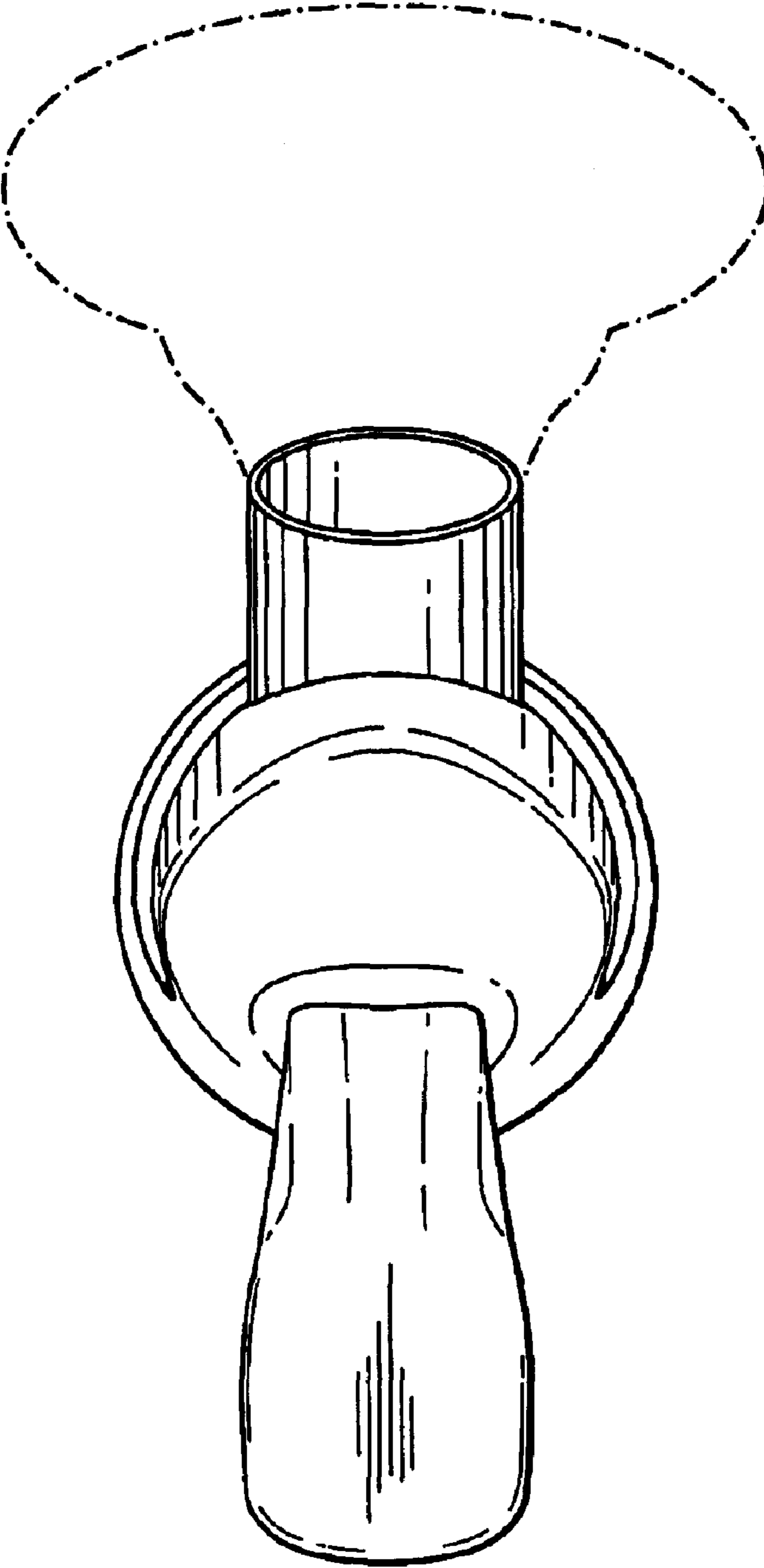


FIG. 5