



US00D496094S1

(12) **United States Design Patent** (10) **Patent No.:** **US D496,094 S**
Stevens (45) **Date of Patent:** **** *Sep. 14, 2004**

(54) **ADAPTOR**

D384,731 S * 10/1997 Ramacier, Jr. et al. D23/262

(75) Inventor: **Alec Martin Stevens**, Brisbane (AU)

* cited by examiner

(73) Assignee: **Stevens Nominees (QLD) PTY Ltd.**,
State of Queensland (AU)

Primary Examiner—Robin V. Taylor
(74) *Attorney, Agent, or Firm*—Abelman, Frayne & Schwab

(*) Notice: This patent is subject to a terminal disclaimer.

(**) Term: **14 Years**

(57) **CLAIM**

The ornamental design for an adaptor, as shown and described.

(21) Appl. No.: **29/129,477**

(22) Filed: **Sep. 14, 2000**

DESCRIPTION

(30) **Foreign Application Priority Data**

Mar. 14, 2000 (AU) 792/2000

FIG. 1 is a top front perspective view of the new adaptor design;

(51) **LOC (7) Cl.** **23-01**

FIG. 2 is a bottom front perspective view thereof;

(52) **U.S. Cl.** **D23/262**

FIG. 3 is a top rear perspective view thereof;

(58) **Field of Search** D23/233, 262;

FIG. 4 is a bottom rear perspective view thereof;

137/205; 141/329

FIG. 5 is a top side perspective view thereof; and,

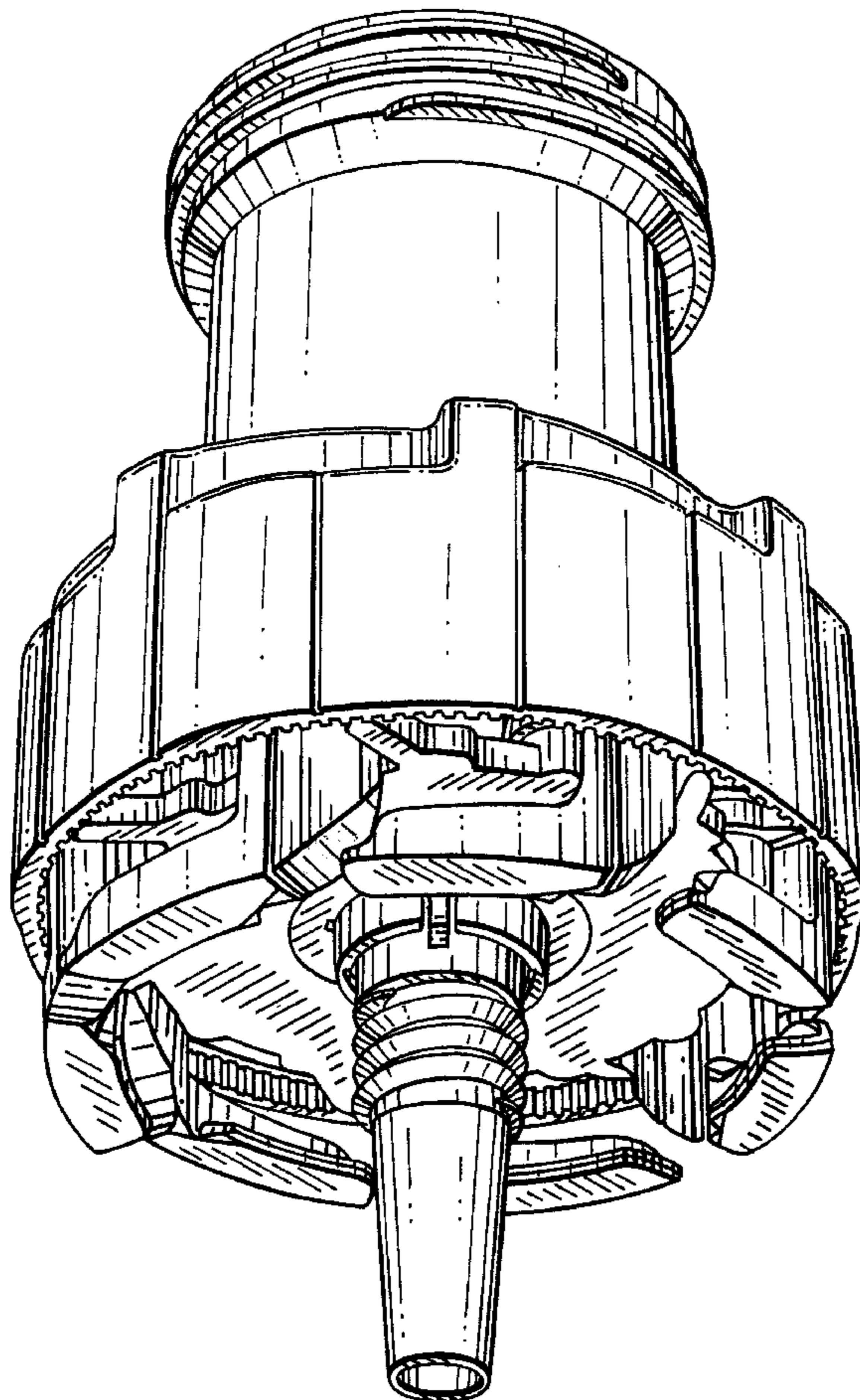
FIG. 6 is a top view thereof.

(56) **References Cited**

U.S. PATENT DOCUMENTS

5,454,409 A * 10/1995 McAffer et al. 141/329

1 Claim, 6 Drawing Sheets



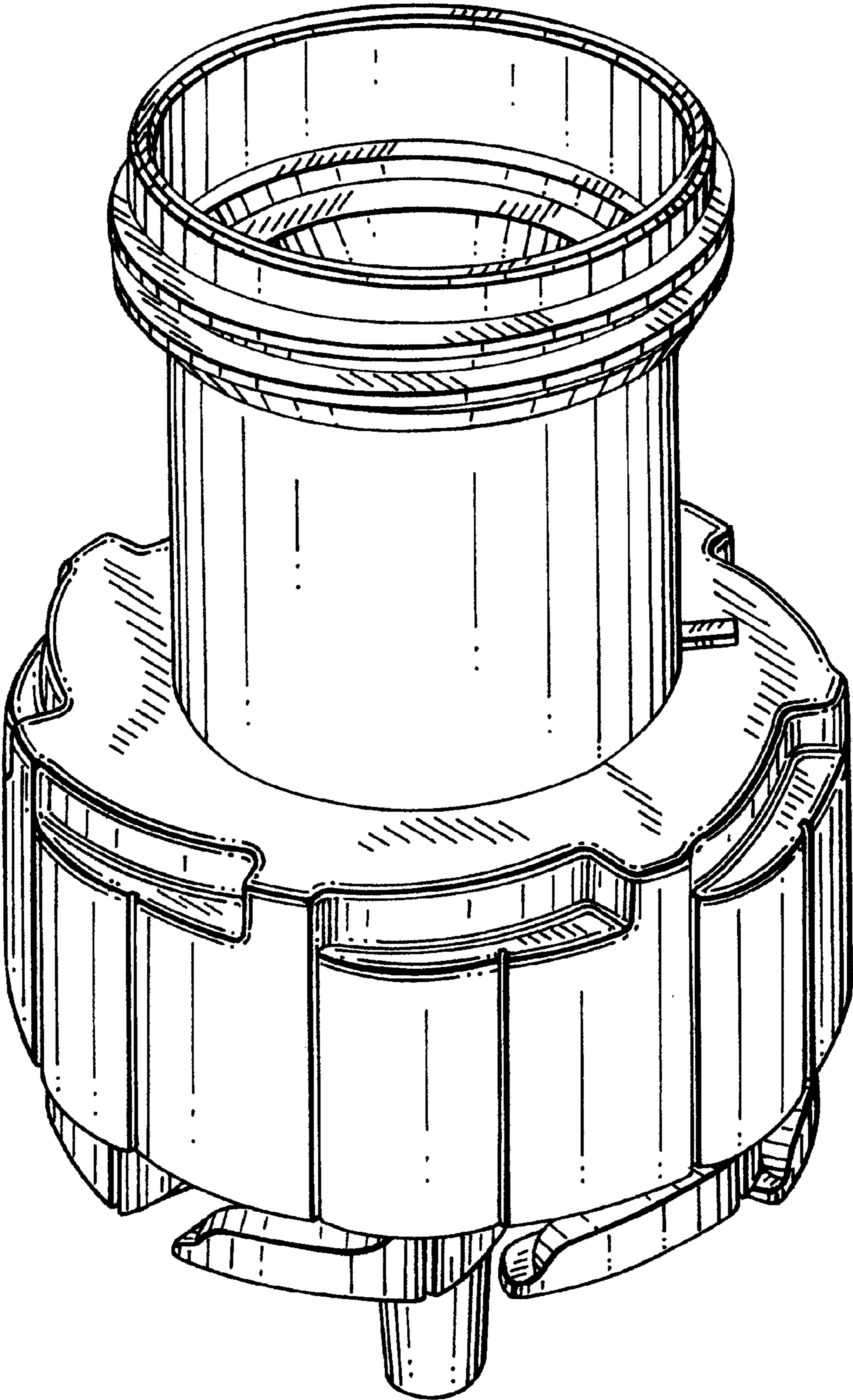


FIG. 1

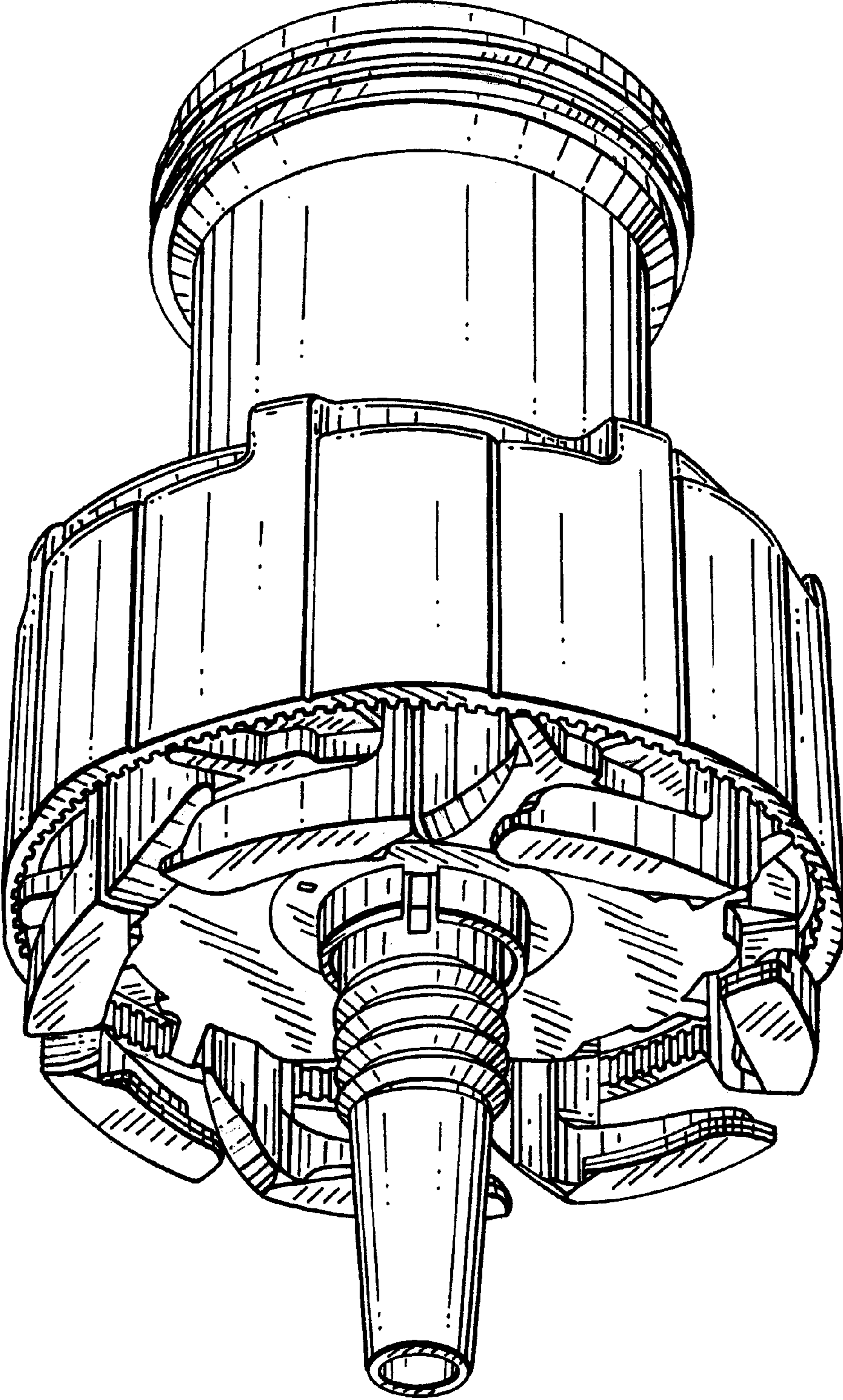


FIG. 2

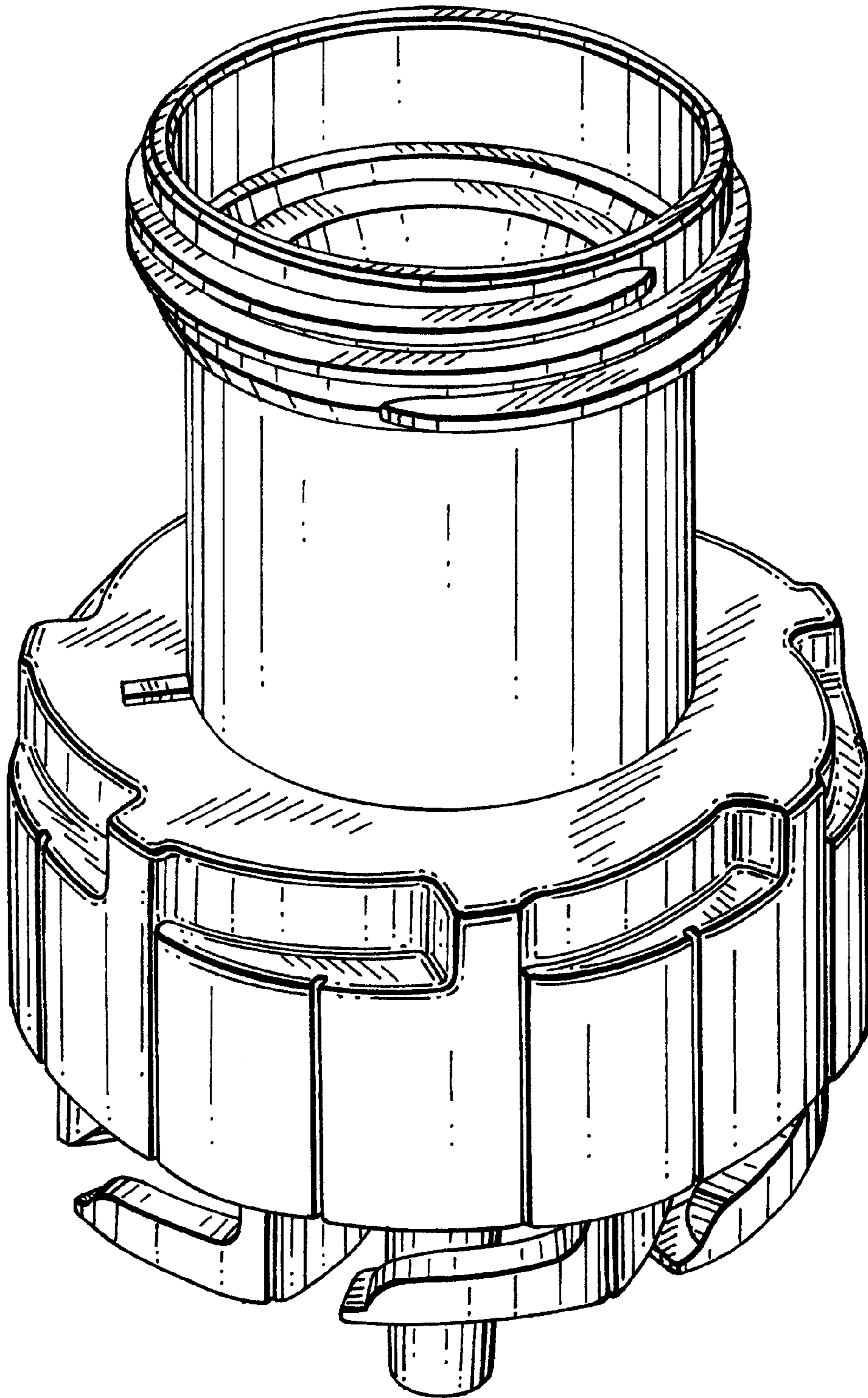


FIG. 3

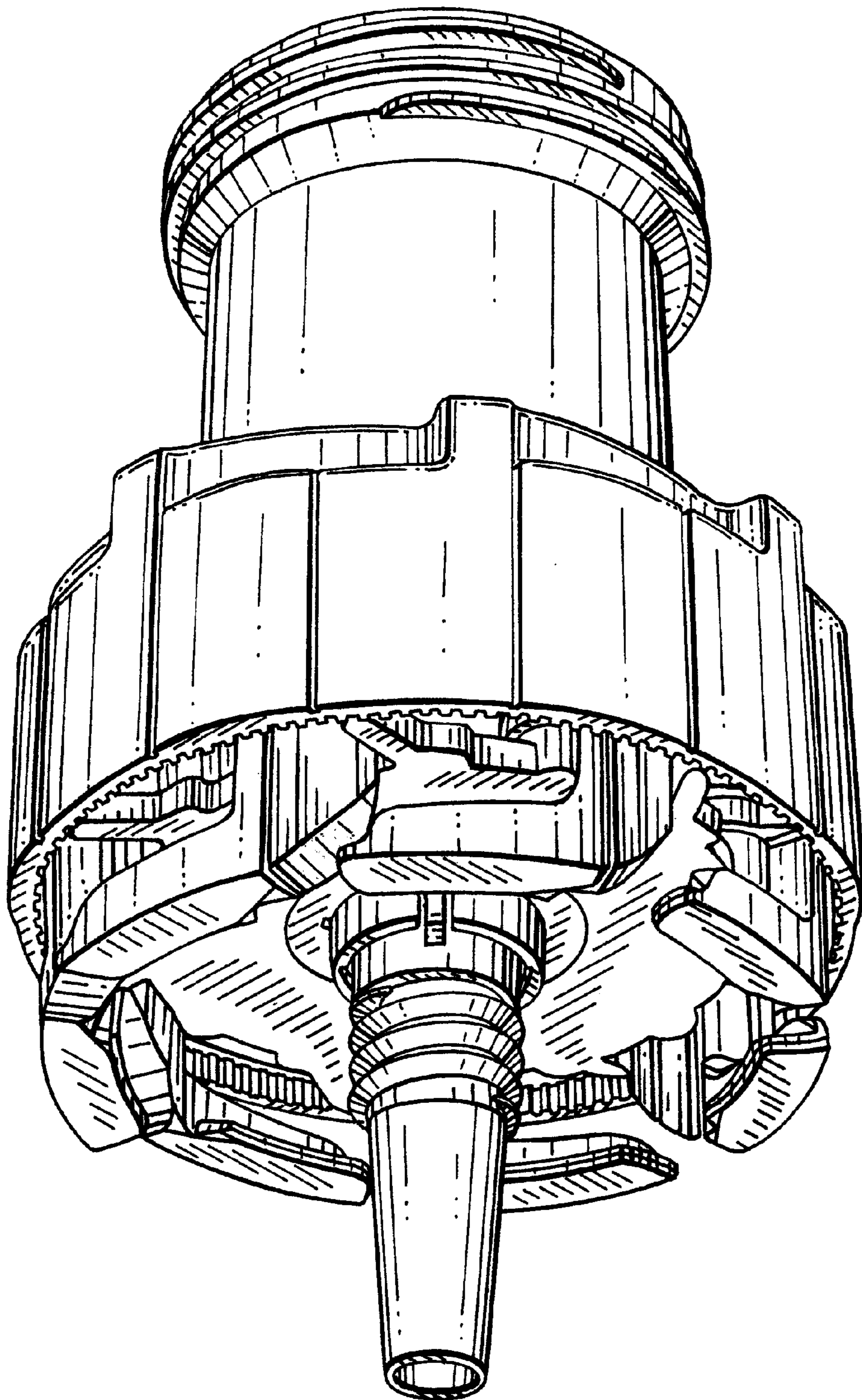


FIG. 4

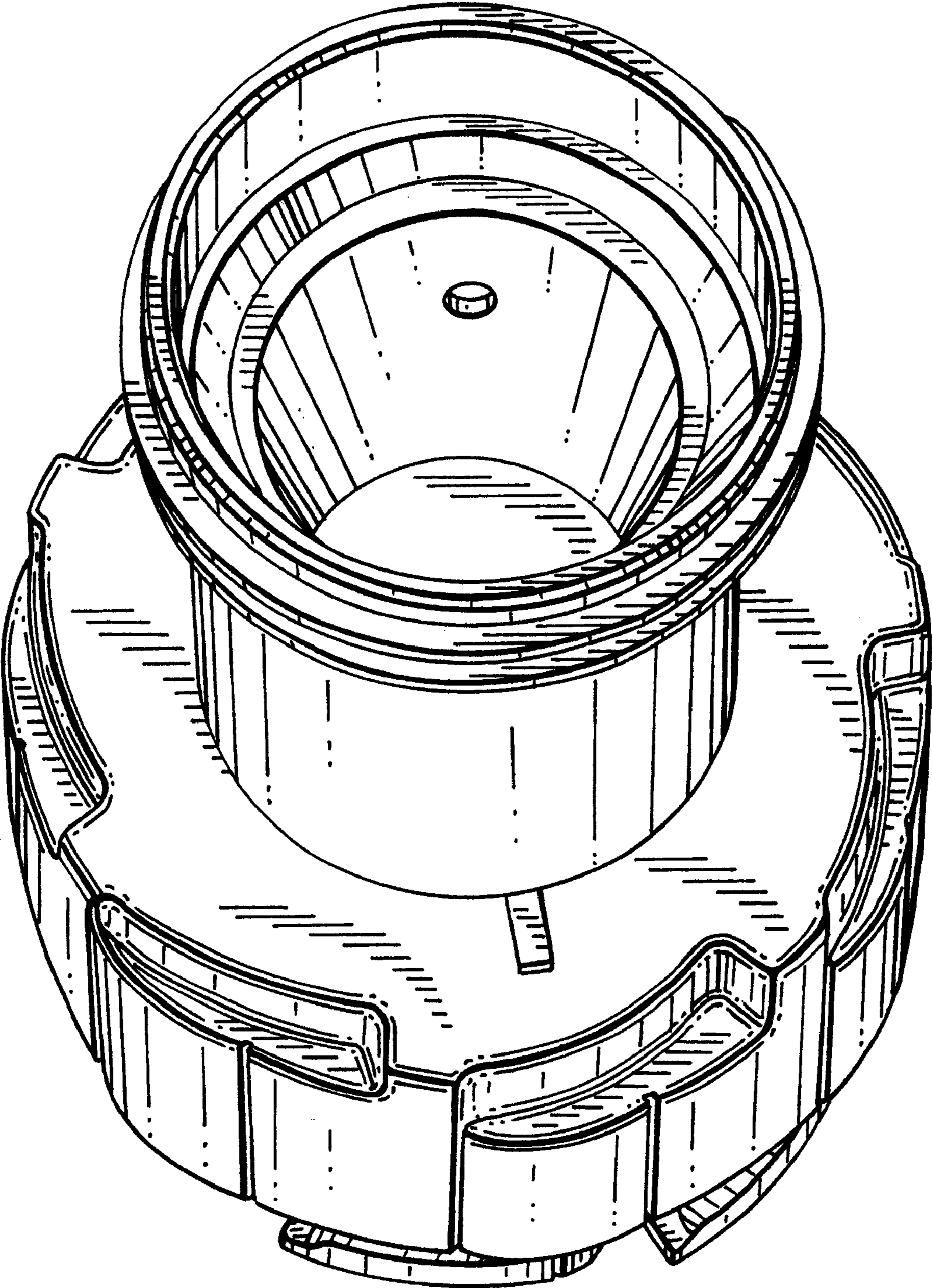


FIG. 5

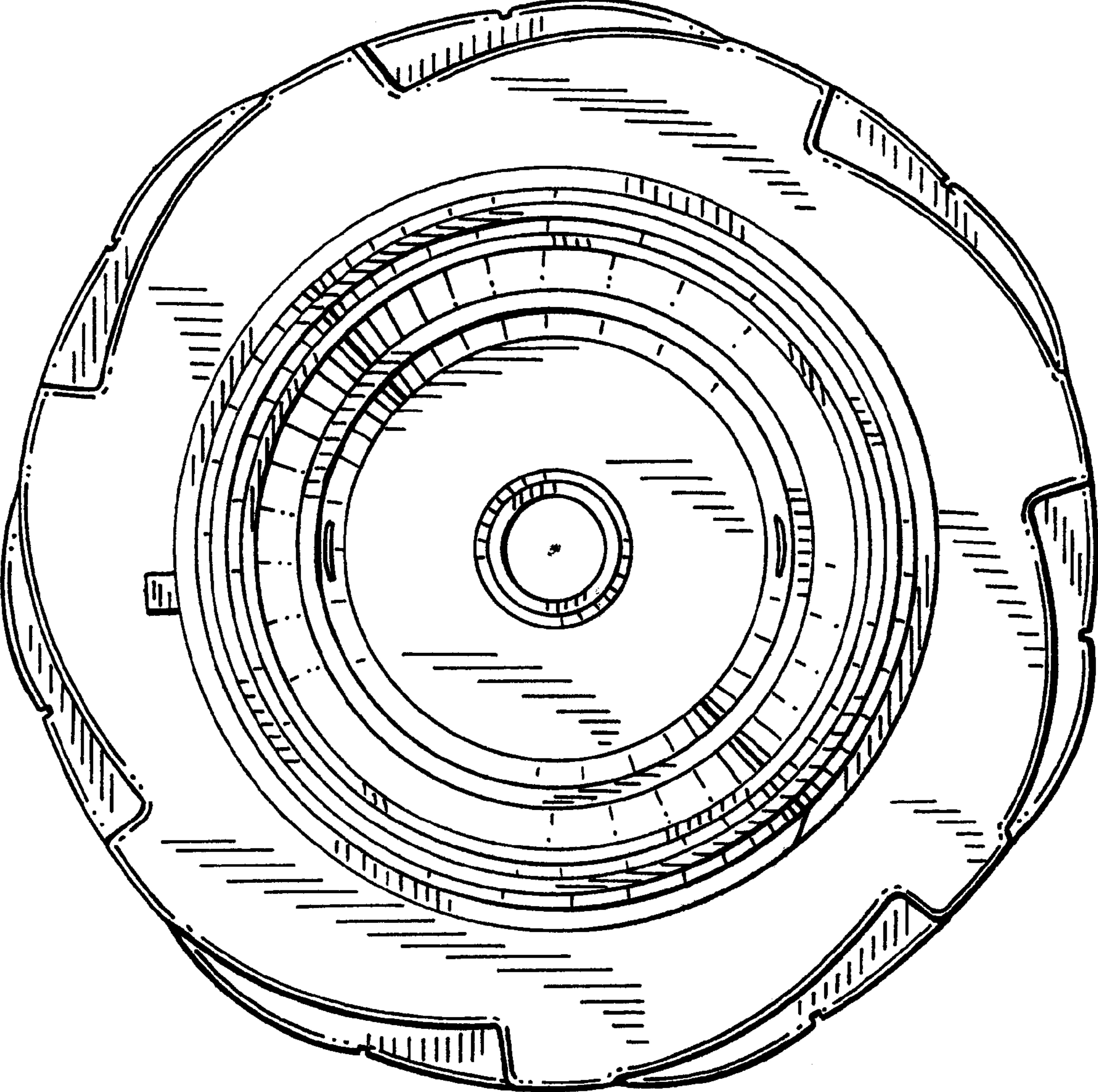


FIG. 6