

US00D496091S1

(12) **United States Design Patent** (10) **Patent No.:** **US D496,091 S**
Katzman et al. (45) **Date of Patent:** **** Sep. 14, 2004**

(54) **DOUBLE CHECK VALVE**

(75) Inventors: **Youval Katzman, Zichron Yaacov (IL); Kobby Greenberg, Eben Yehuda (IL)**

(73) Assignee: **A.R.I. Flow Control Accessories Agricultural Cooperative Association Ltd., D. N. Ramat Hagolan (IL)**

(**) Term: **14 Years**

(21) Appl. No.: **29/182,832**

(22) Filed: **Jun. 3, 2003**

(51) **LOC (7) Cl.** **23-01**

(52) **U.S. Cl.** **D23/235**

(58) **Field of Search** **D23/233-249; 251/25, 331; 137/218, 512, 512.4, 512.5, 15.18, 15.19**

(56) **References Cited**

U.S. PATENT DOCUMENTS

6,349,736	B1	*	2/2002	Dunmire	137/15.19
6,396,404	B1	*	5/2002	McHugh	340/606
6,546,946	B2	*	4/2003	Dunmire	137/15.18
6,581,626	B2	*	6/2003	Noll et al.	137/315.11

* cited by examiner

Primary Examiner—Nelson C. Holtje

(74) *Attorney, Agent, or Firm*—Nath & Associates PLLC

(57) **CLAIM**

The ornamental design for a double check valve, as shown and described.

DESCRIPTION

FIG. 1 is a top perspective view of a valve according to a first embodiment of a valve in accordance with the present invention;

FIG. 2 is a left side view of the valve seen in FIG. 1;

FIG. 3 is a right side view of the valve seen in FIG. 1;

FIG. 4 is a bottom view of the valve seen in FIG. 1;

FIG. 5 is a front view of the valve seen in FIG. 1;

FIG. 6 is a top view of the valve seen in FIG. 1;

FIG. 7 is a rear view of the valve seen in FIG. 1;

FIG. 8 is a top perspective view of a second embodiment of a valve in accordance with the present invention;

FIG. 9 is a left side view of the valve seen in FIG. 8;

FIG. 10 is a right side view of the valve seen in FIG. 8;

FIG. 11 is a bottom view of the valve seen in FIG. 8;

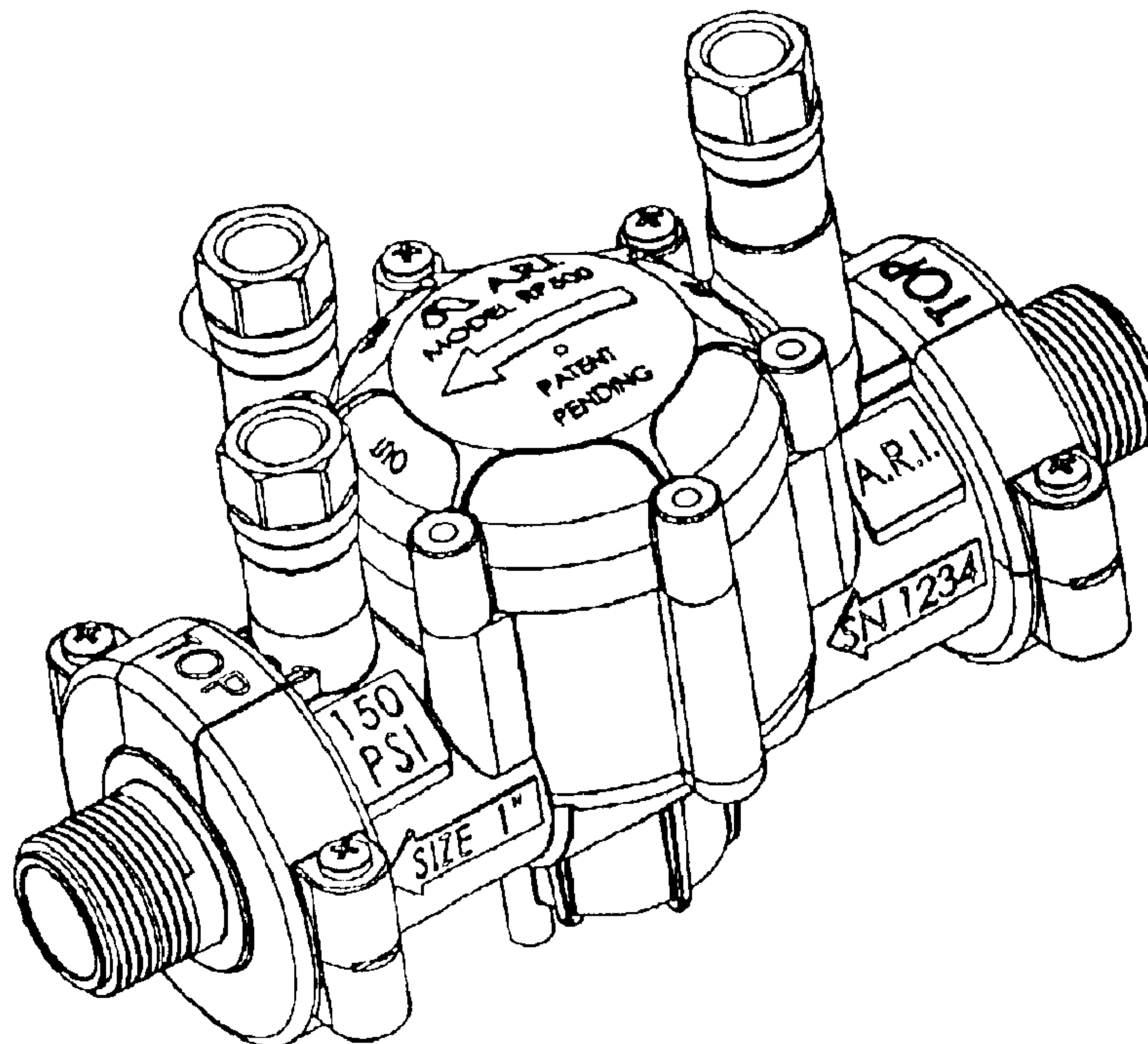
FIG. 12 is a front view of the valve seen in FIG. 8;

FIG. 13 is a top view of the valve seen in FIG. 8; and,

FIG. 14 is a rear view of the valve seen in FIG. 8.

The words and numbers appearing on the valve do not form an essential part of the design, apart for their location.

1 Claim, 6 Drawing Sheets



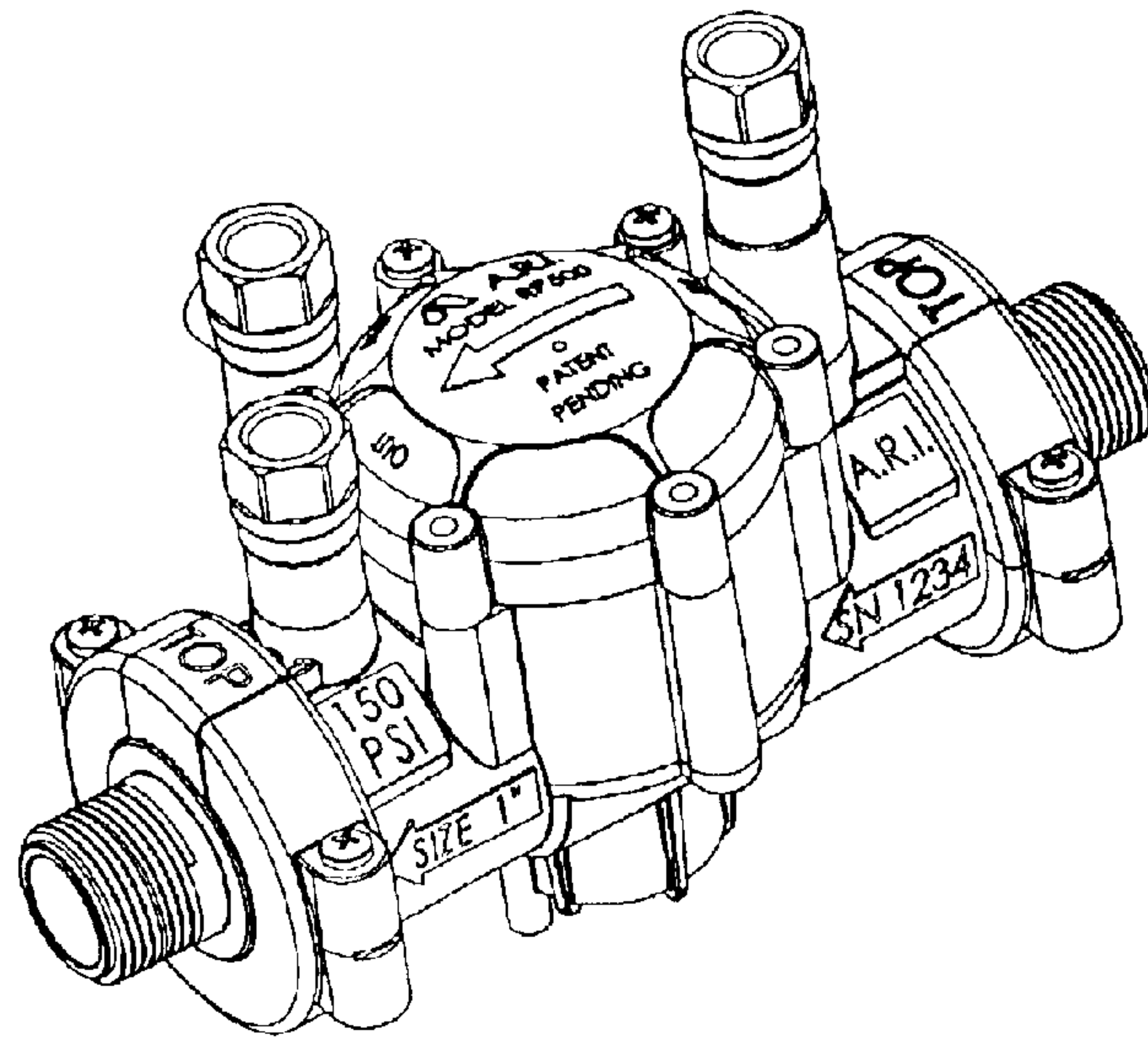


FIG. 1

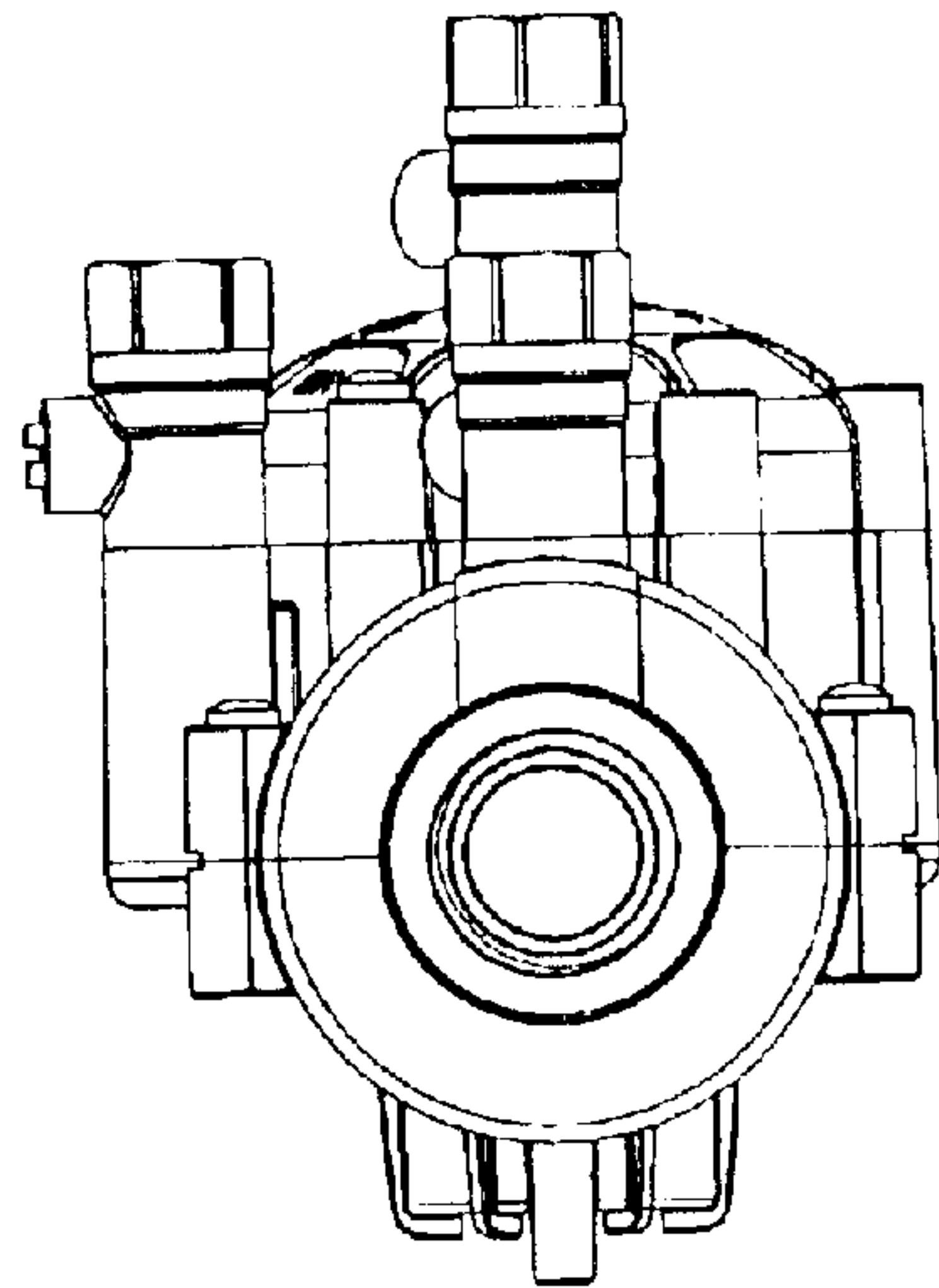


FIG. 2

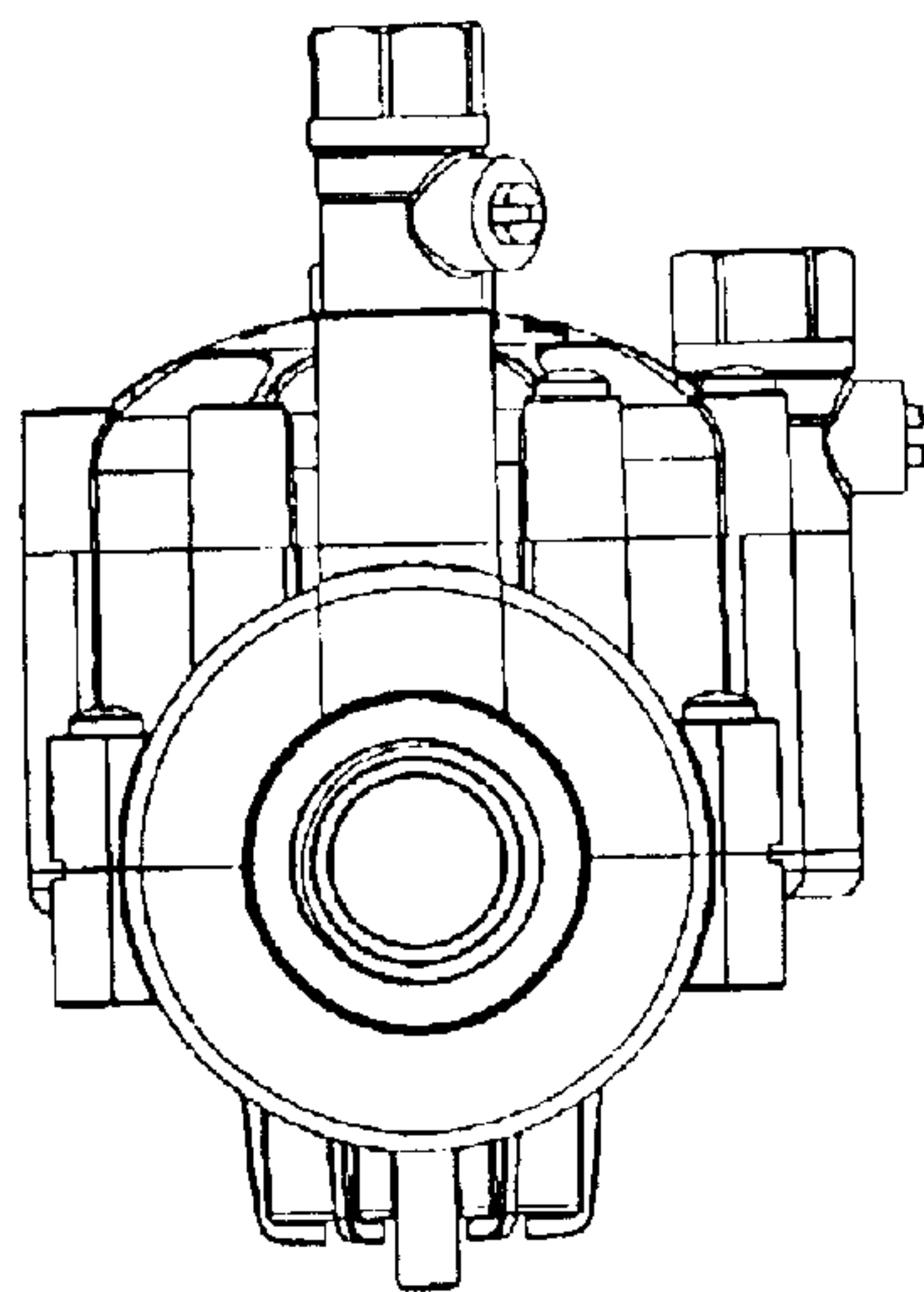


FIG. 3

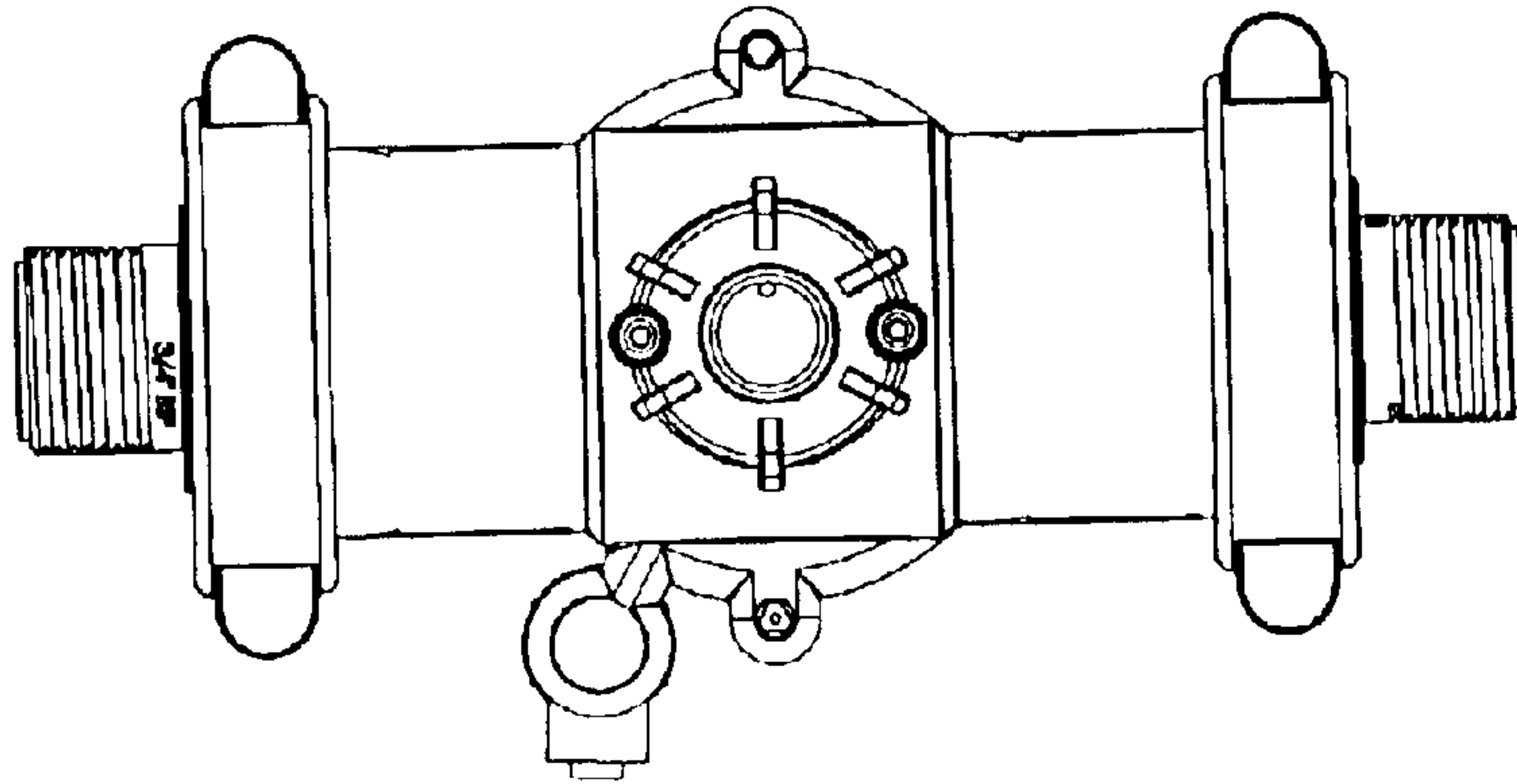


FIG. 4

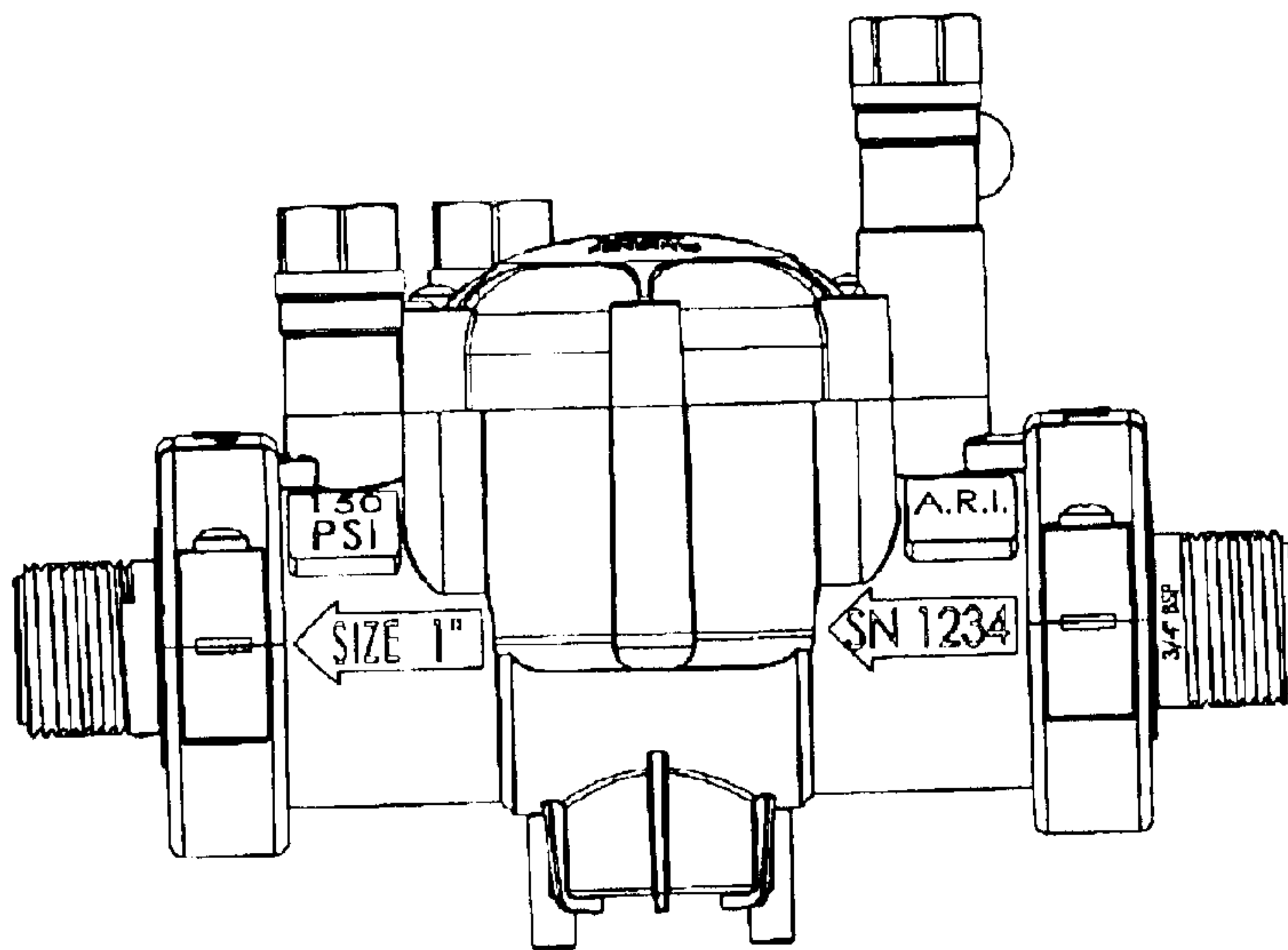


FIG. 5

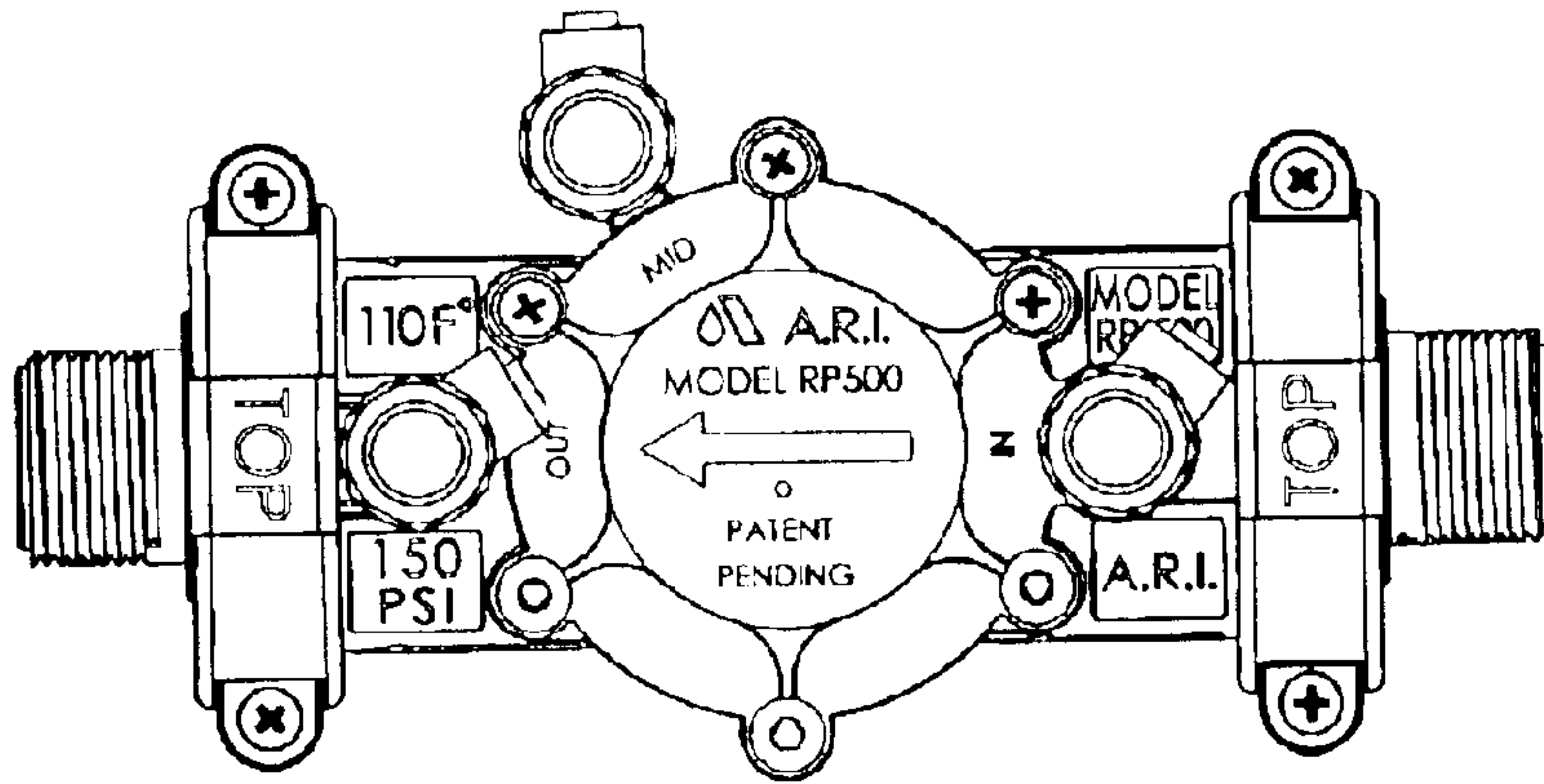


FIG. 6

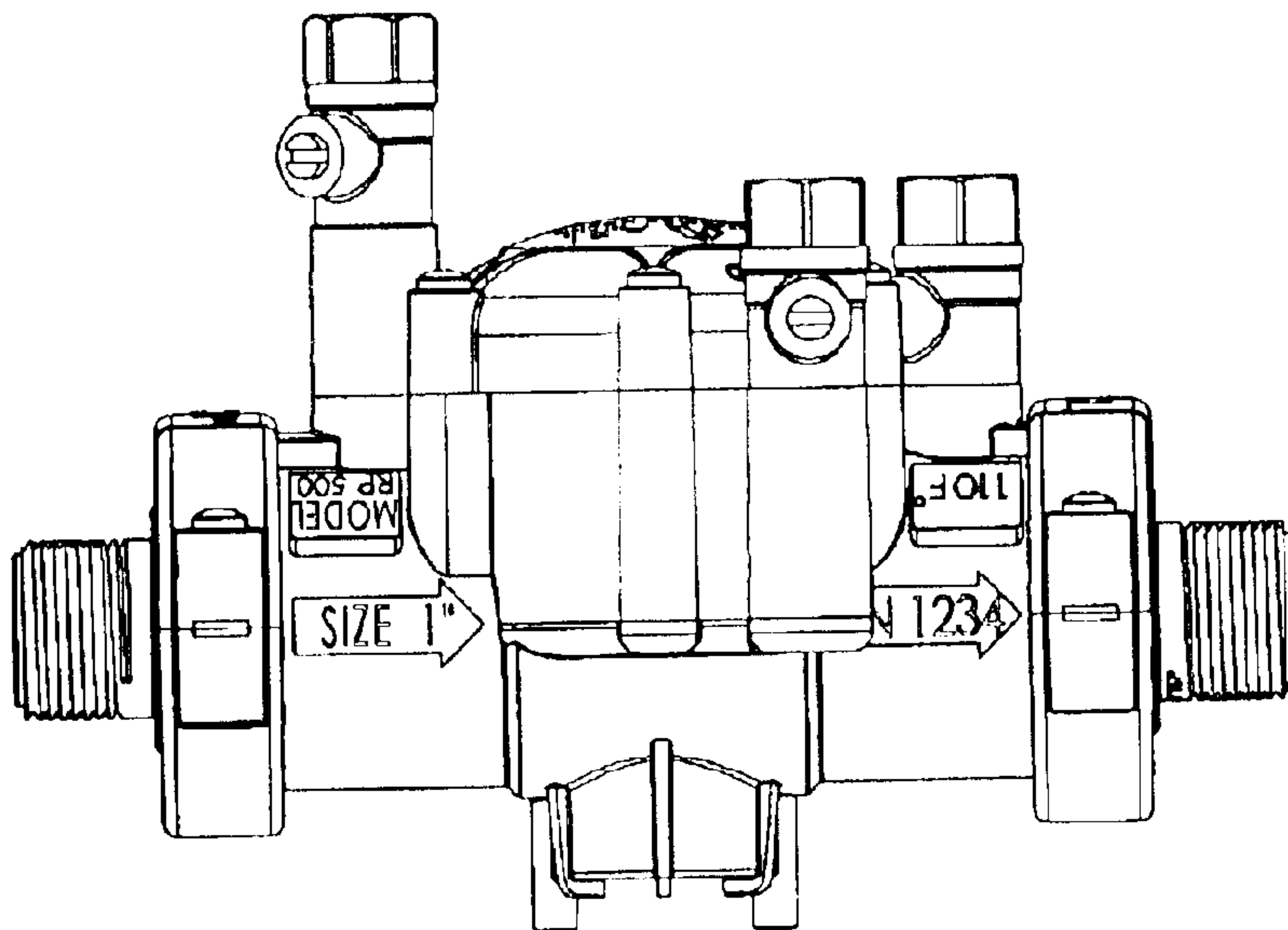


FIG. 7

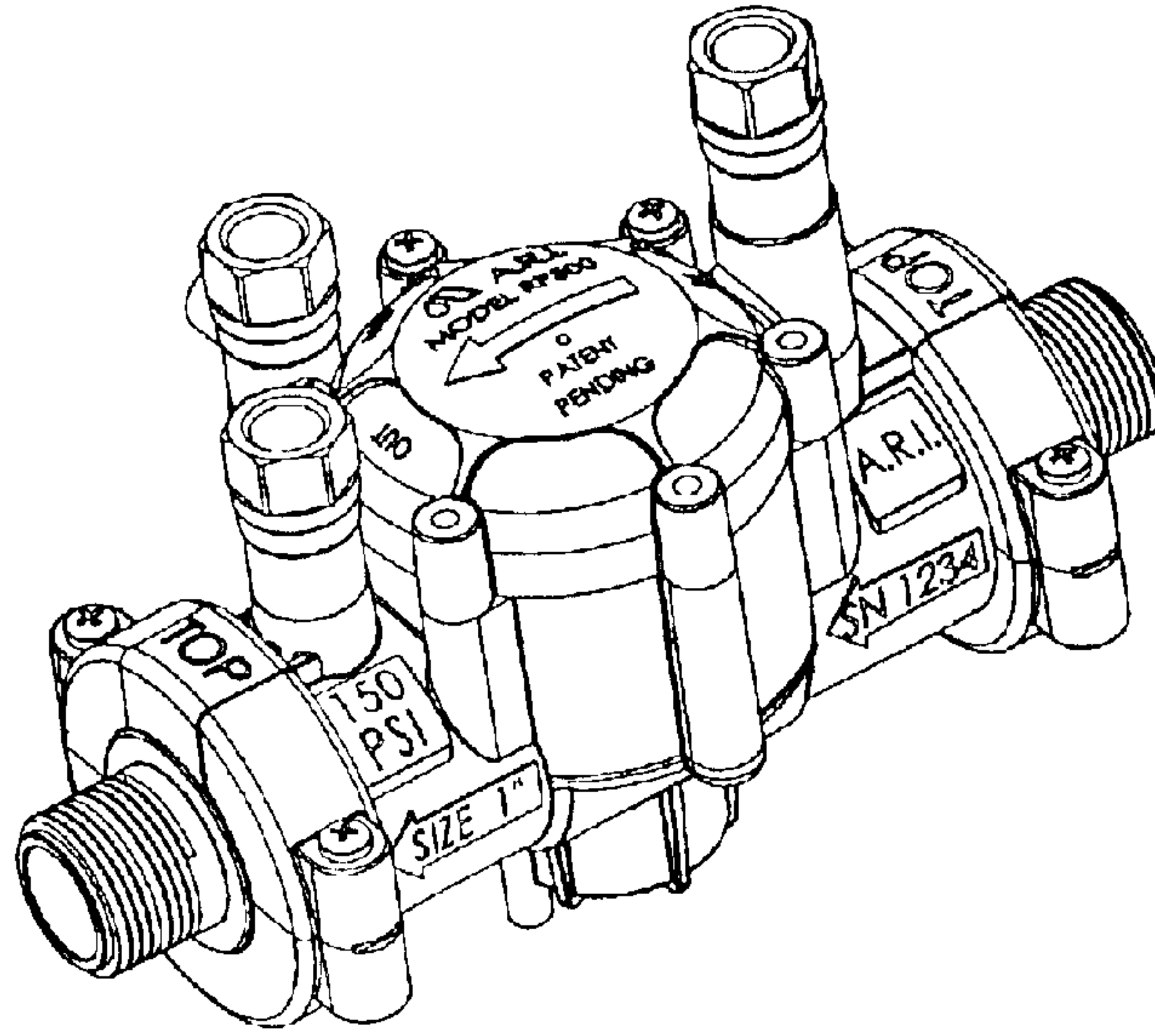


FIG. 8

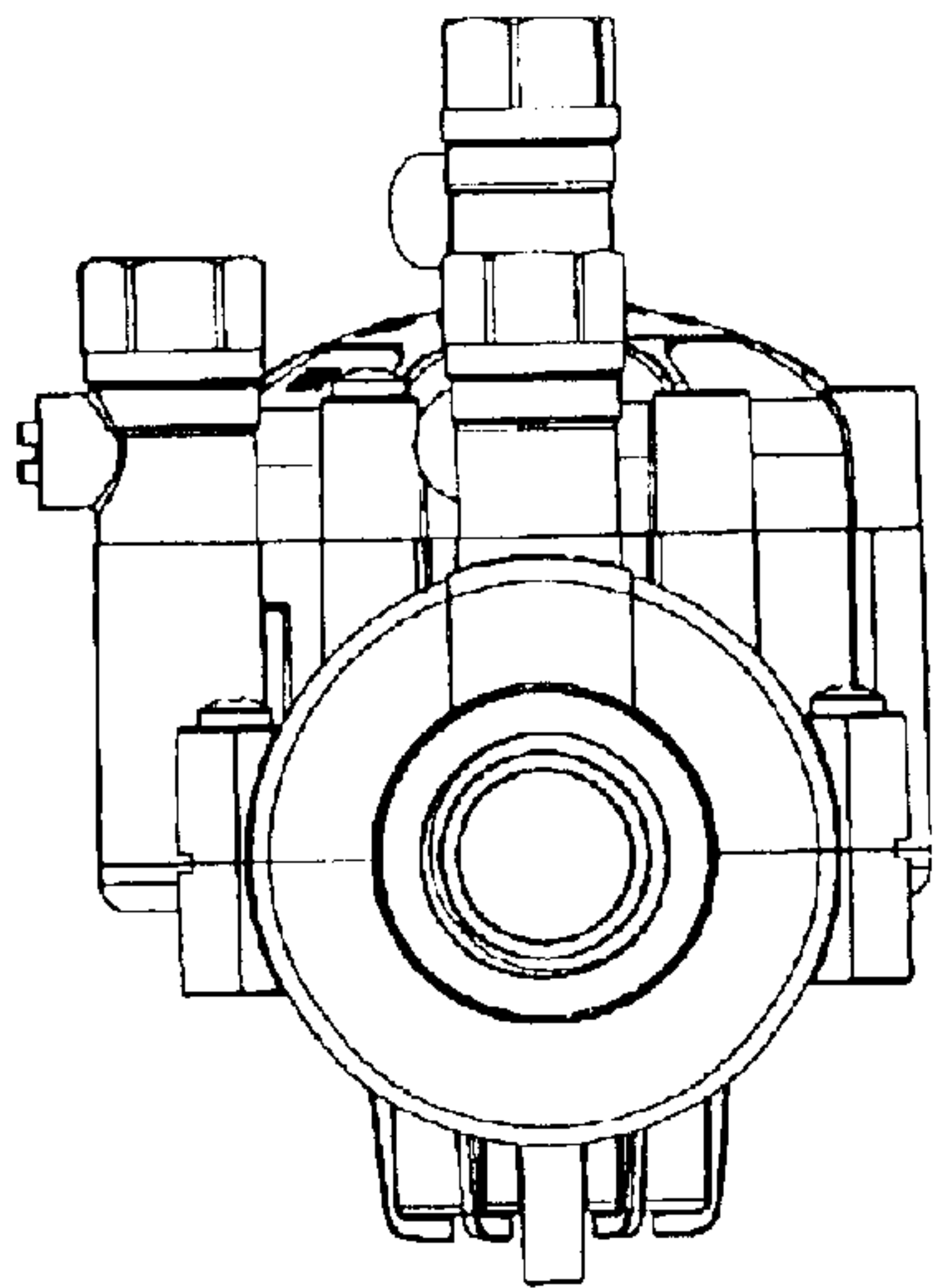


FIG. 9

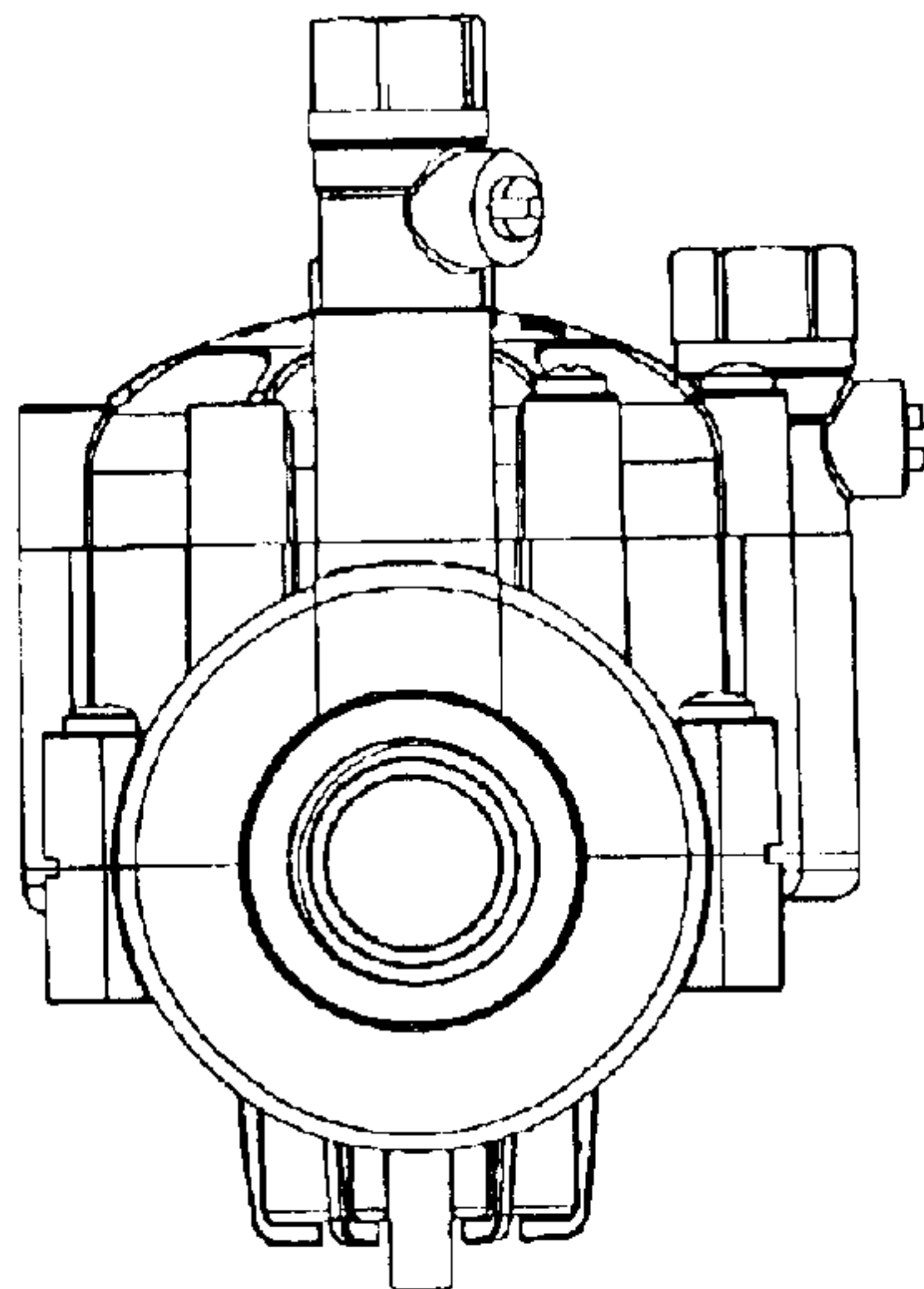


FIG. 10

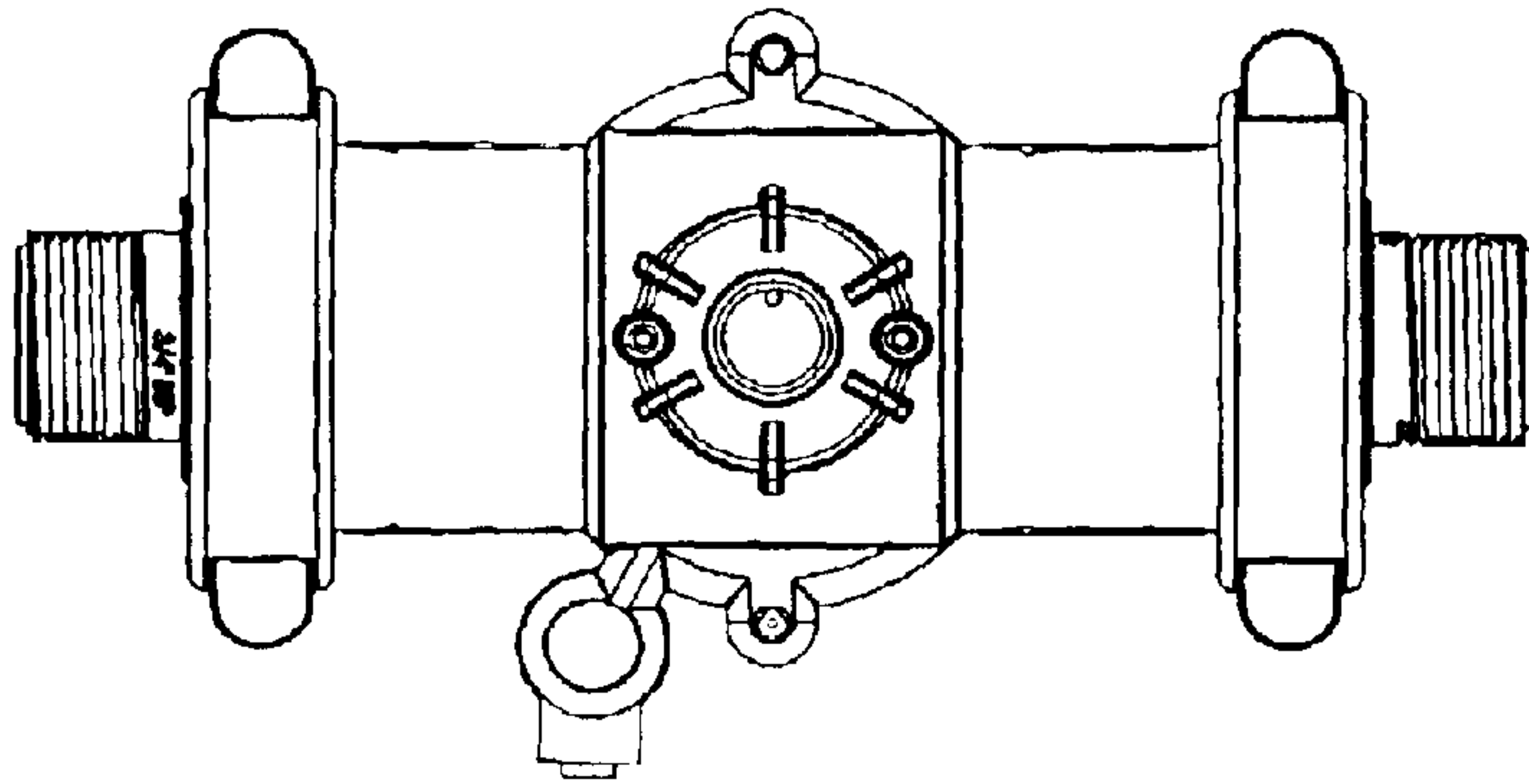


FIG. 11

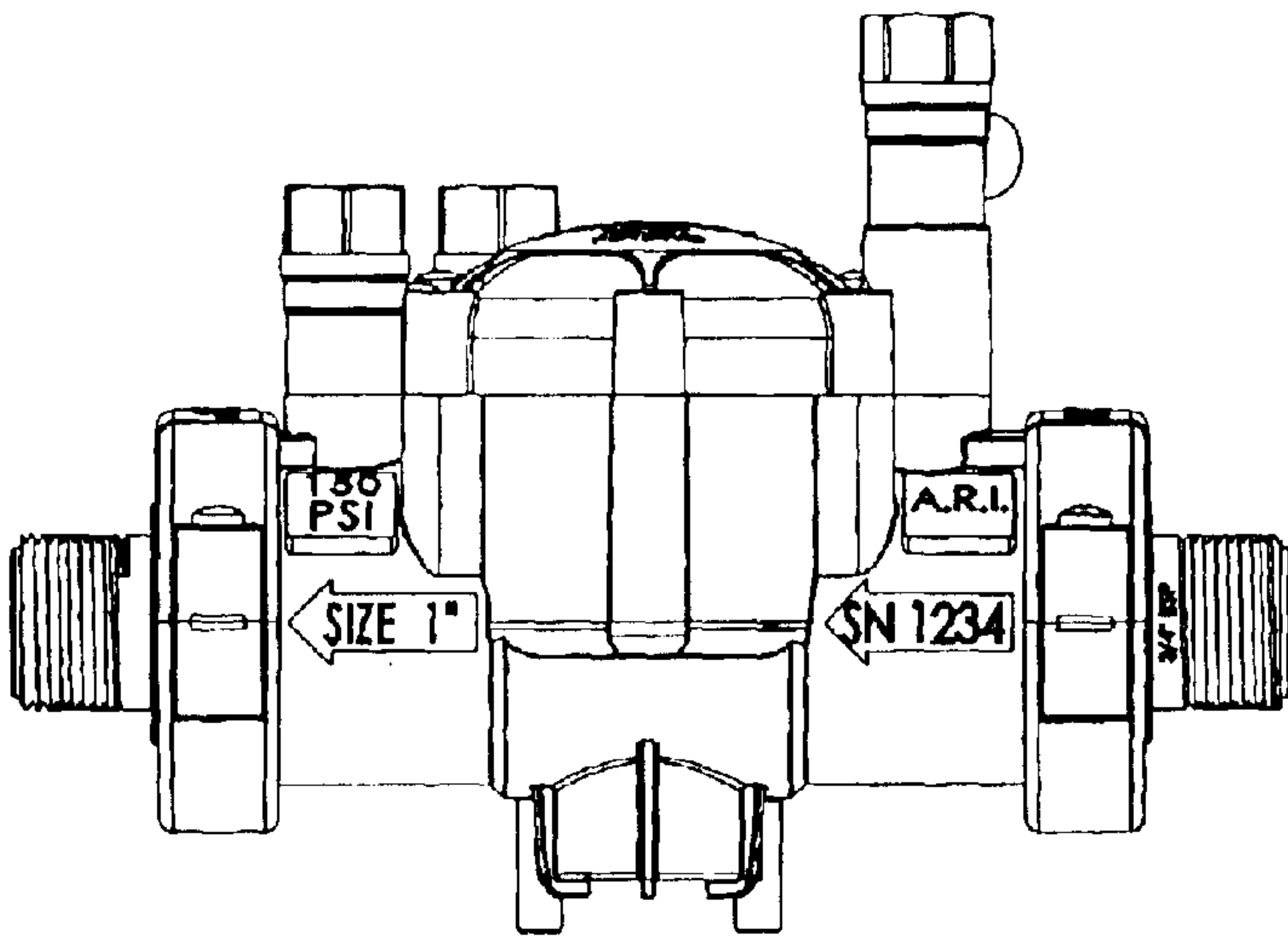


FIG. 12

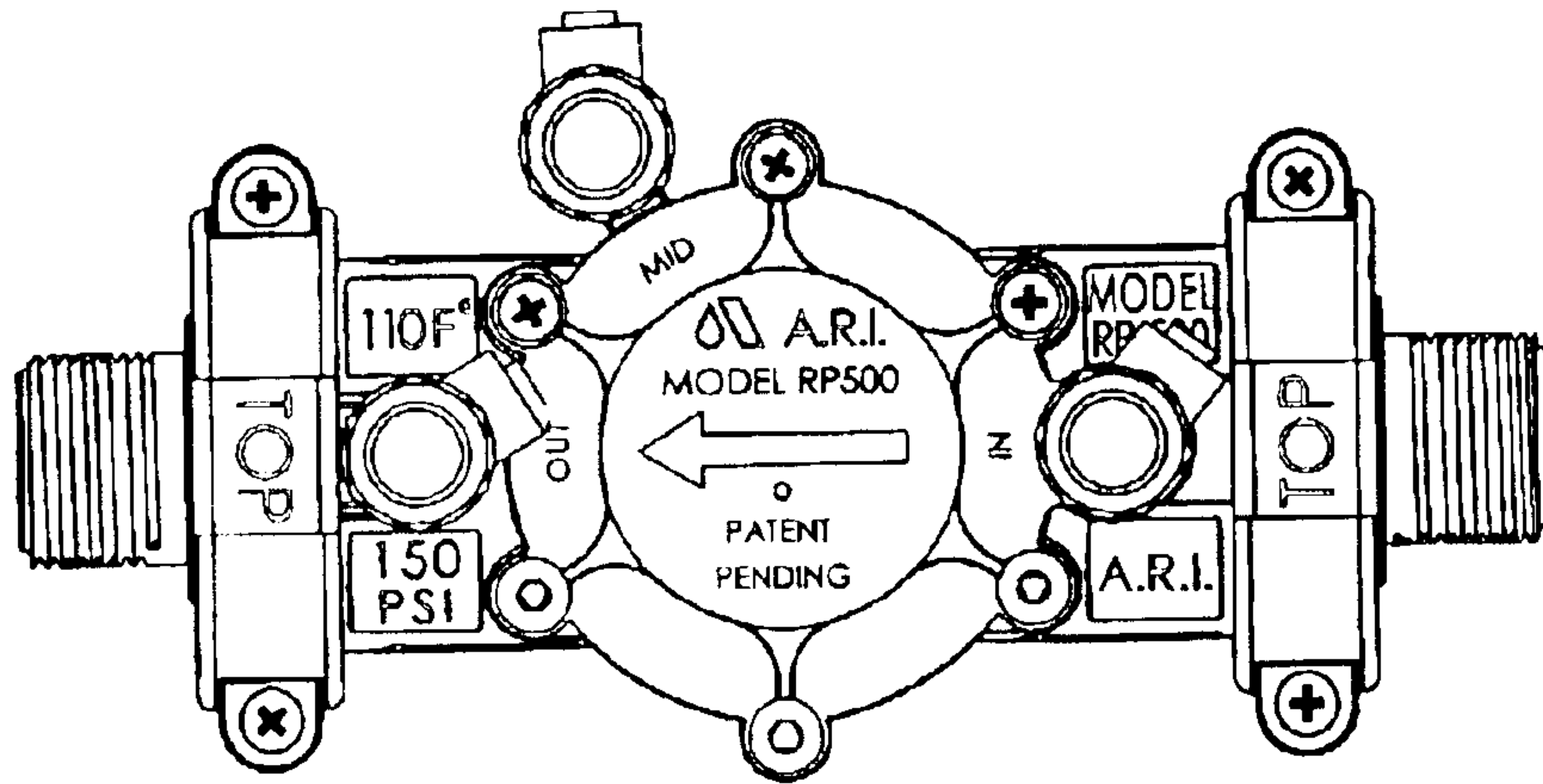


FIG. 13

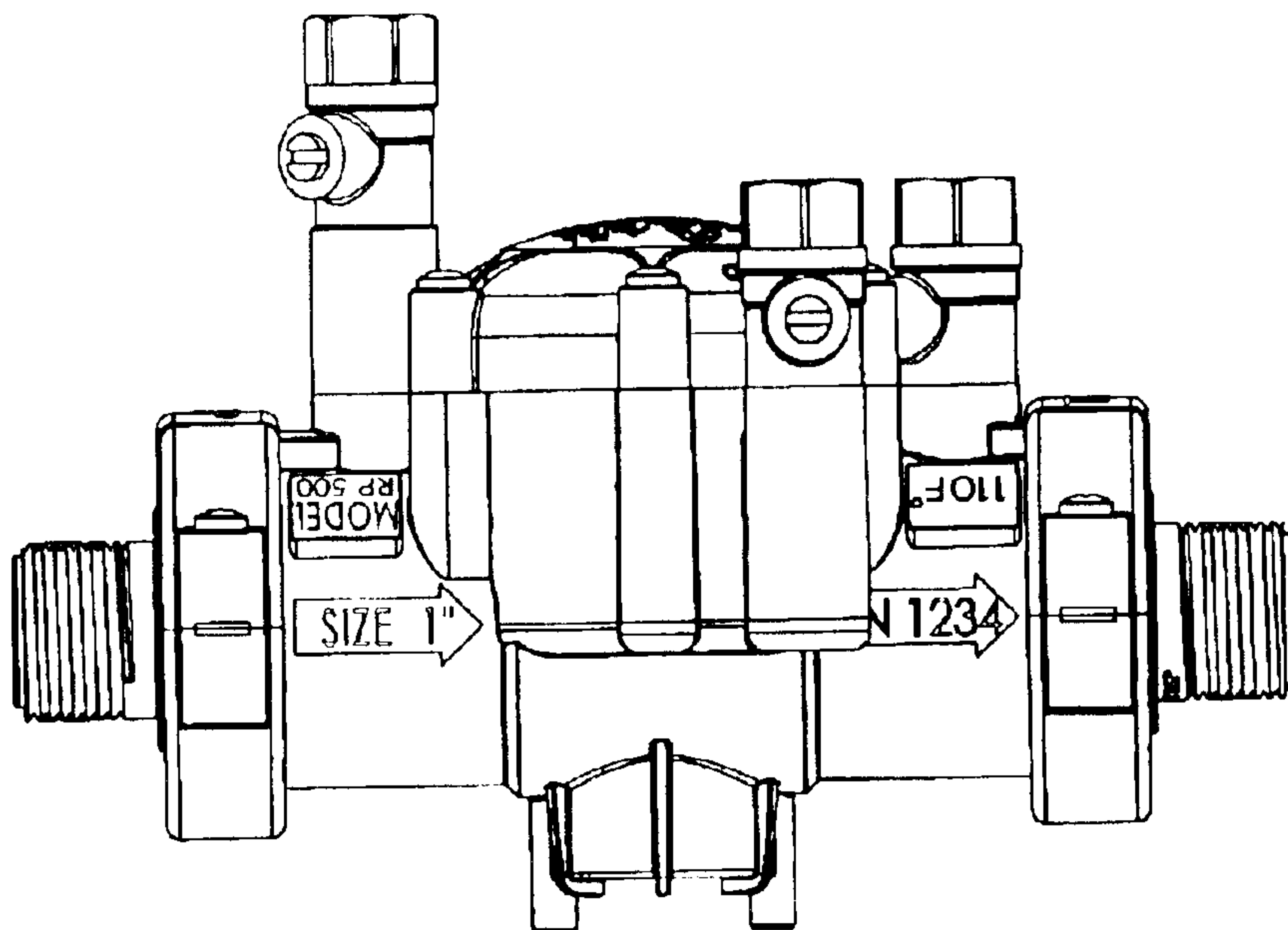


FIG. 14