

US00D496074S1

(12) **United States Design Patent**
Darack

(10) **Patent No.:** **US D496,074 S**

(45) **Date of Patent:** **** Sep. 14, 2004**

(54) **AIRCRAFT**

(76) **Inventor:** **Ed Darack**, P.O. Box 413, Fort
Garland, CO (US) 81133

(**) **Term:** **14 Years**

(21) **Appl. No.:** **29/196,286**

(22) **Filed:** **Dec. 26, 2003**

(51) **LOC (7) Cl.** **21-01**

(52) **U.S. Cl.** **D21/449; D12/321**

(58) **Field of Search** D21/436, 445,
D21/447, 449, 453, 454; D12/319-345;
446/34, 61-68, 88, 108, 109, 429, 430,
487, 488

(56) **References Cited**

U.S. PATENT DOCUMENTS

1,792,779	A	*	2/1931	Tarr	446/66
2,140,821	A	*	12/1938	Tyrrell	446/66
2,644,271	A	*	7/1953	Shapiro	446/65
2,669,403	A	*	2/1954	McKay	244/155 R
D259,132	S	*	5/1981	Spizz	D21/449
D278,729	S	*	5/1985	Ninomiya	D21/449
D278,730	S	*	5/1985	Ninomiya	D21/449
D314,987	S	*	2/1991	Kovats	D21/445
D316,578	S	*	4/1991	Kovats	D21/445

D453,947 S 2/2002 Paivanas
D471,854 S 3/2003 Rouieau et al.
D477,561 S 7/2003 Nelson

* cited by examiner

Primary Examiner—Philip S. Hyder
Assistant Examiner—C. Tuttle

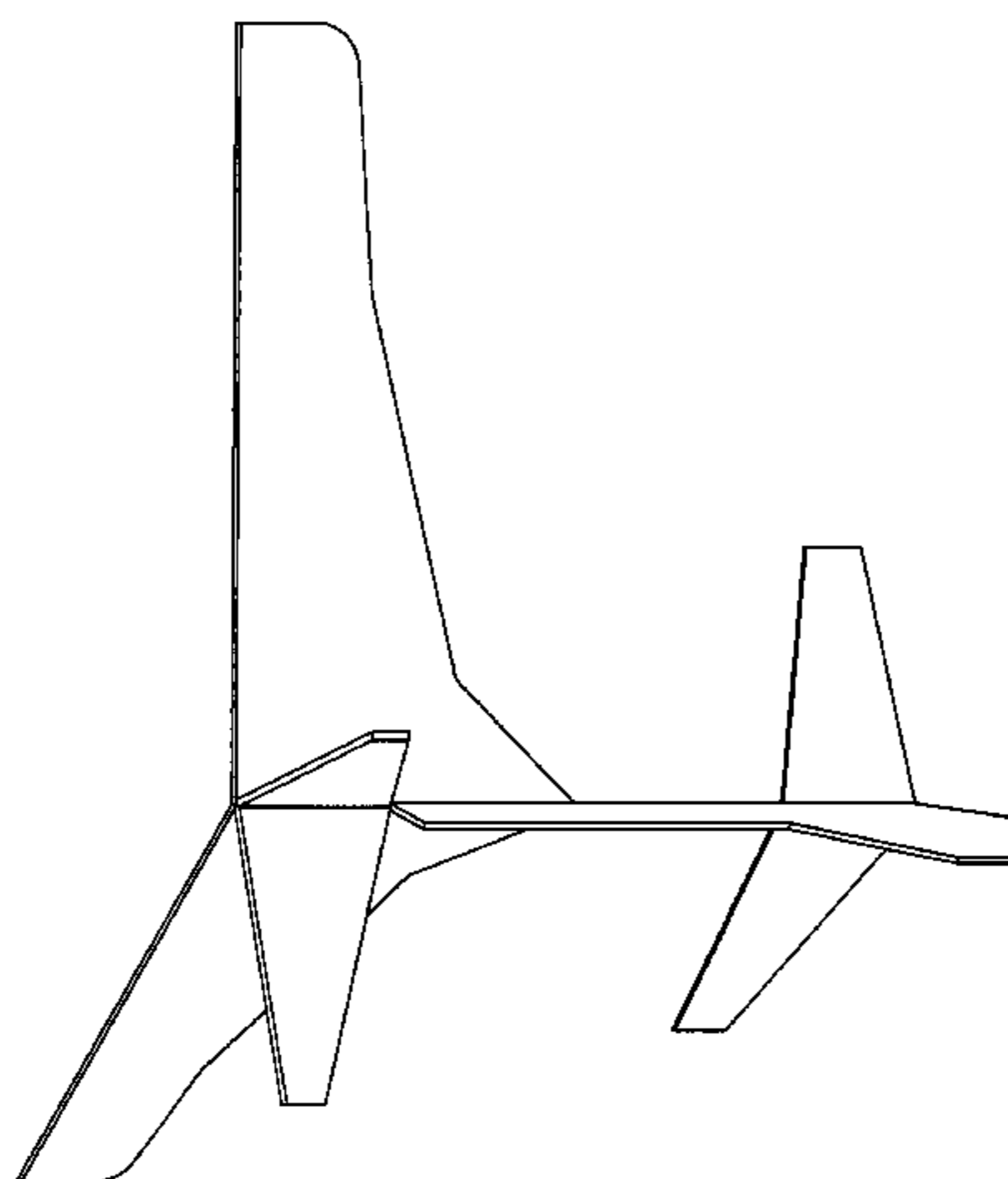
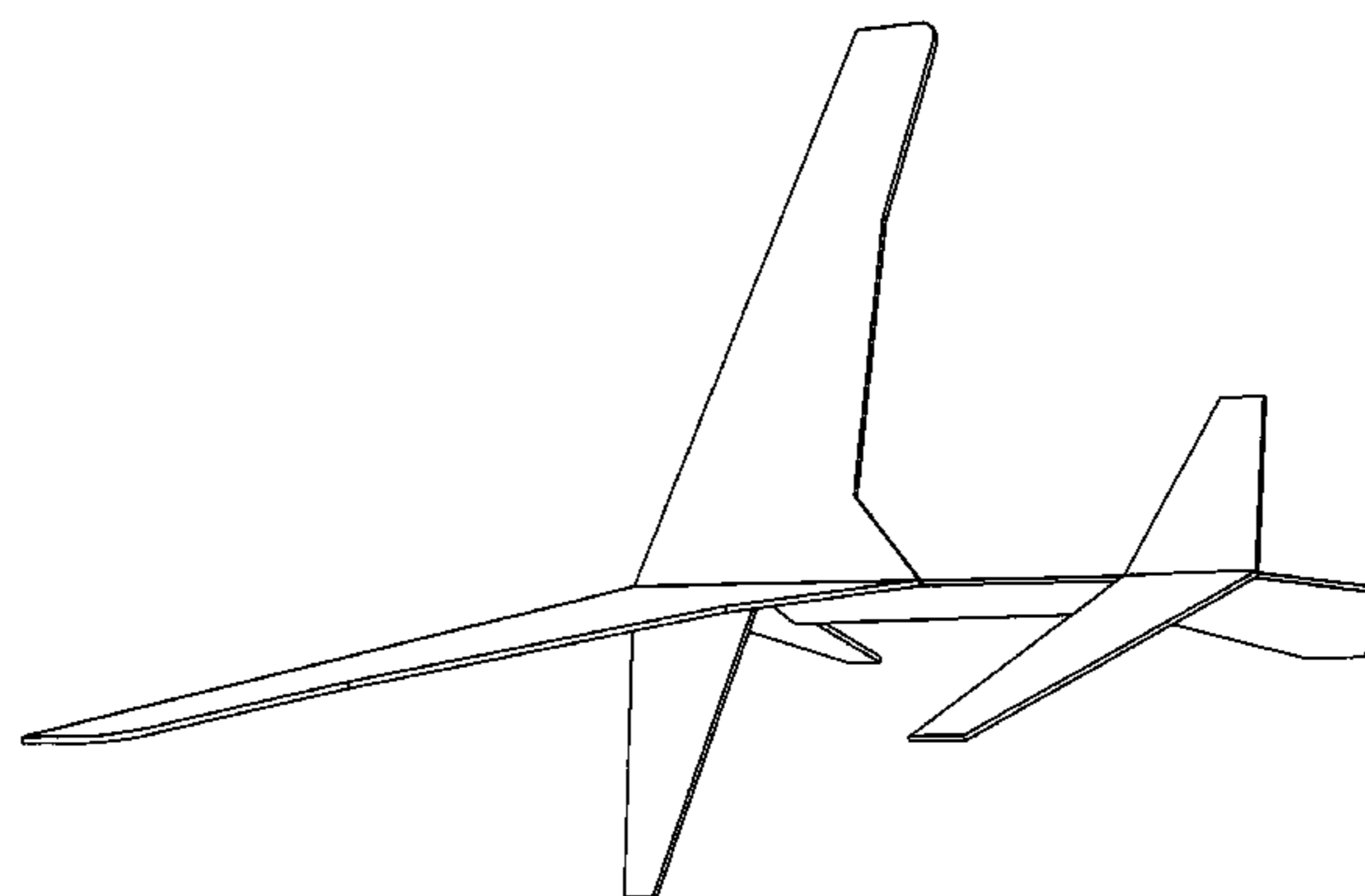
(57) **CLAIM**

The ornamental design for an aircraft, substantially as shown and described.

DESCRIPTION

FIG. 1 is a top, left, front perspective view of an aircraft showing my new design;
FIG. 2 is a bottom, left, front perspective view of the aircraft of FIG. 1;
FIG. 3 is a bottom, left, rear perspective view of the aircraft of FIG. 1;
FIG. 4 is a left side elevation view of the aircraft of FIG. 1, the right side elevation view being a mirror image of that shown;
FIG. 5 is a top plan view of the aircraft of FIG. 1;
FIG. 6 is a bottom plan view of the aircraft of FIG. 1;
FIG. 7 is a front elevation view of the aircraft of FIG. 1; and,
FIG. 8 is a rear elevation view of the aircraft of FIG. 1.

1 Claim, 4 Drawing Sheets



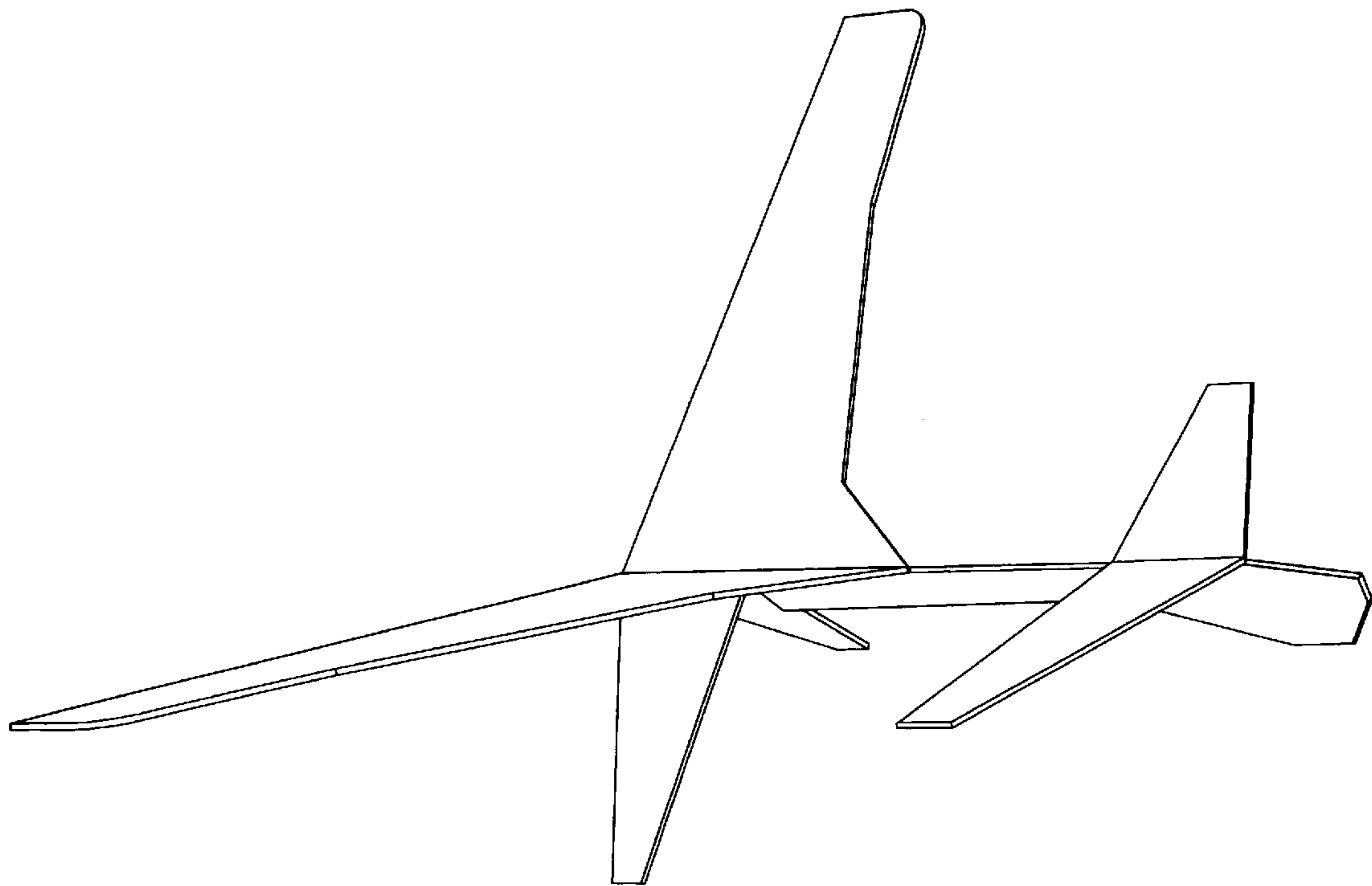


FIG. 1

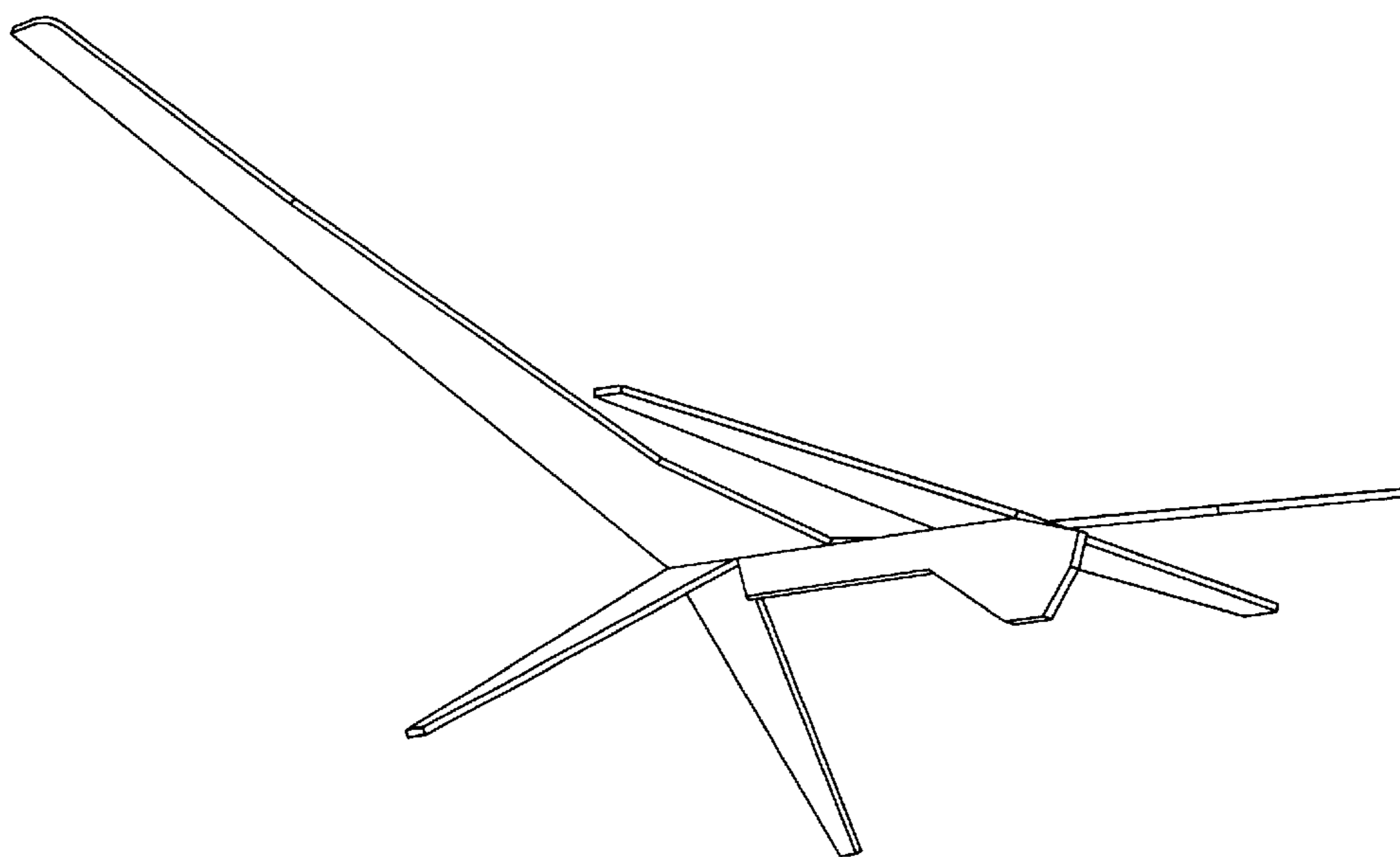


FIG. 2

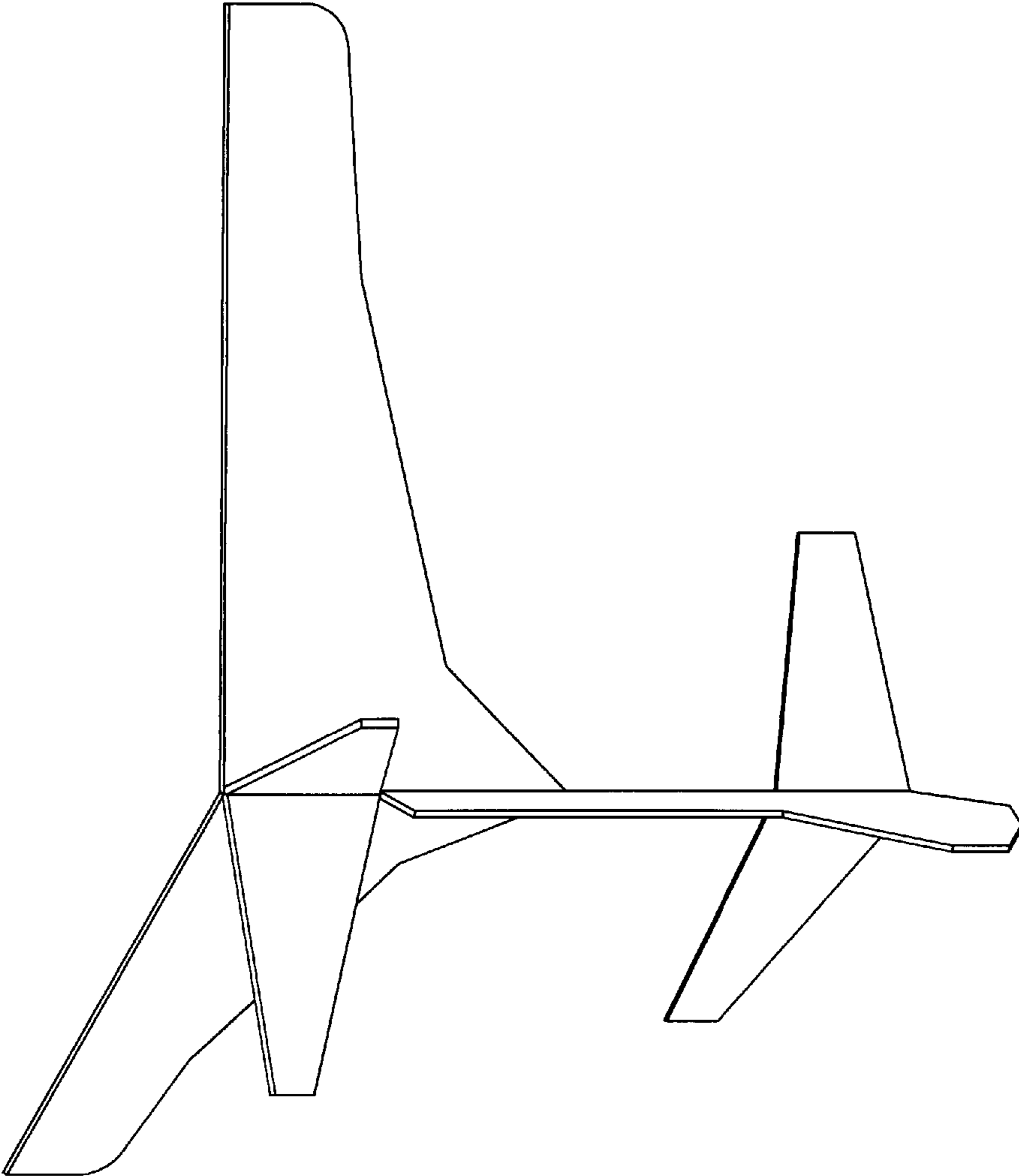


FIG. 3

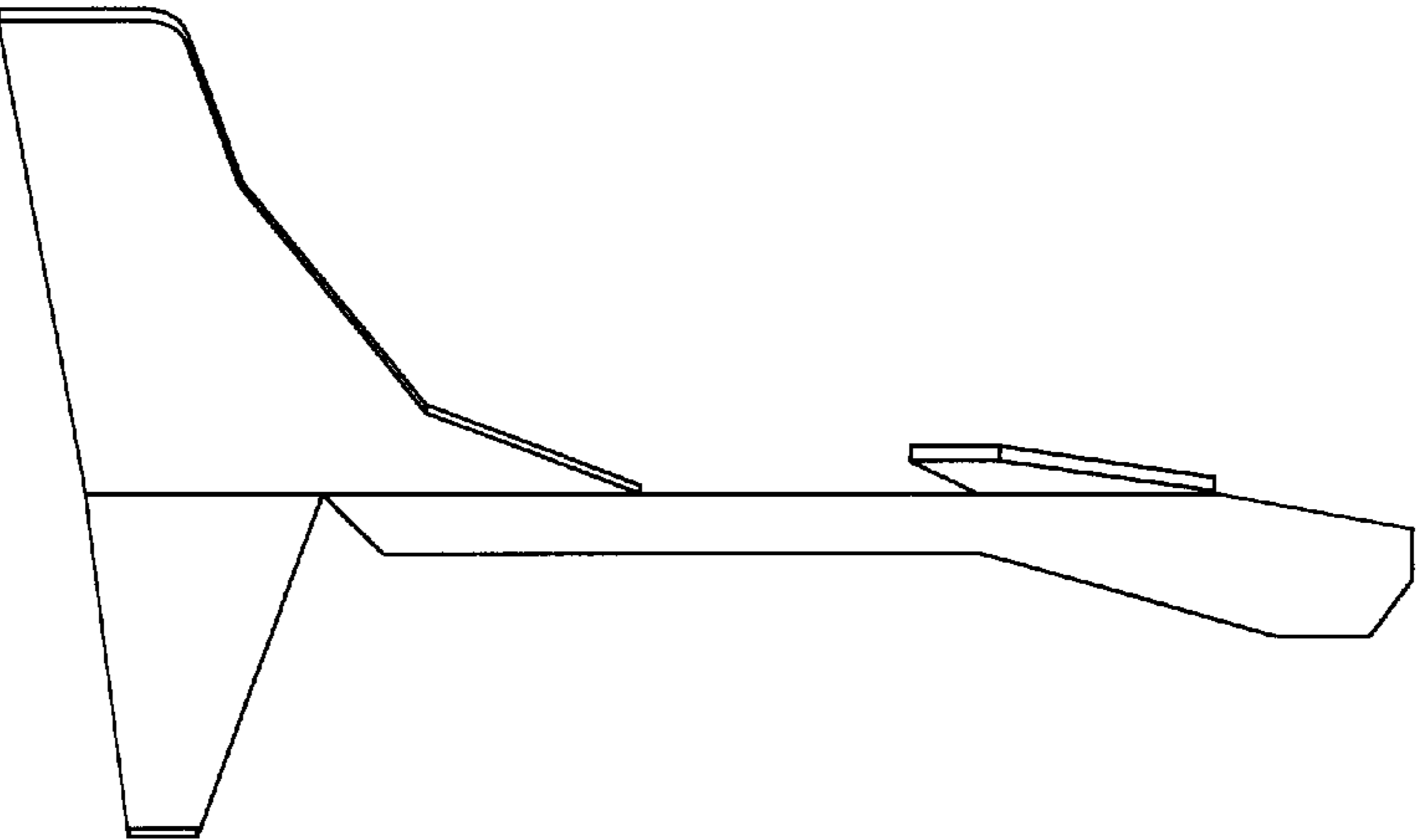


FIG. 4

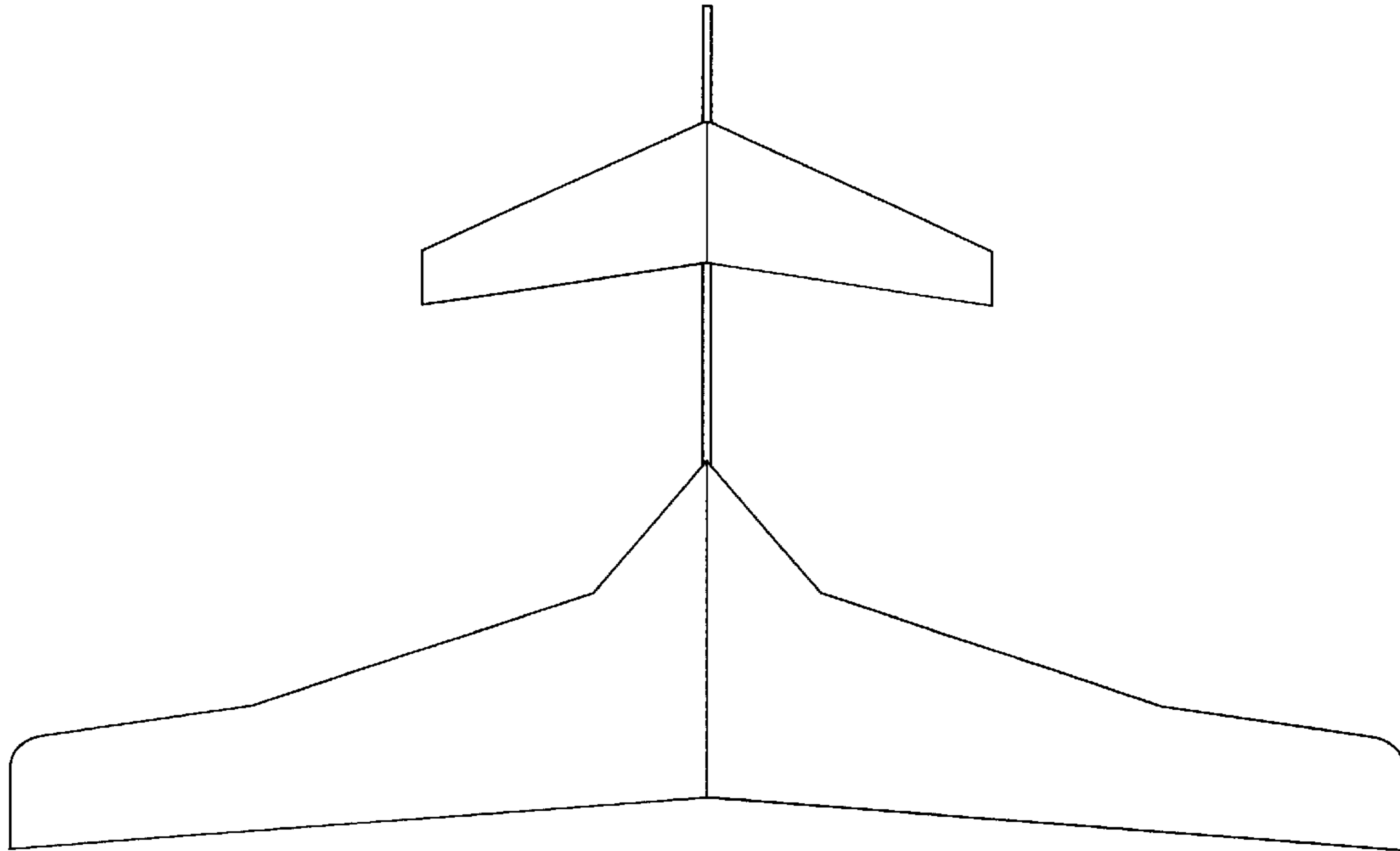


FIG. 5

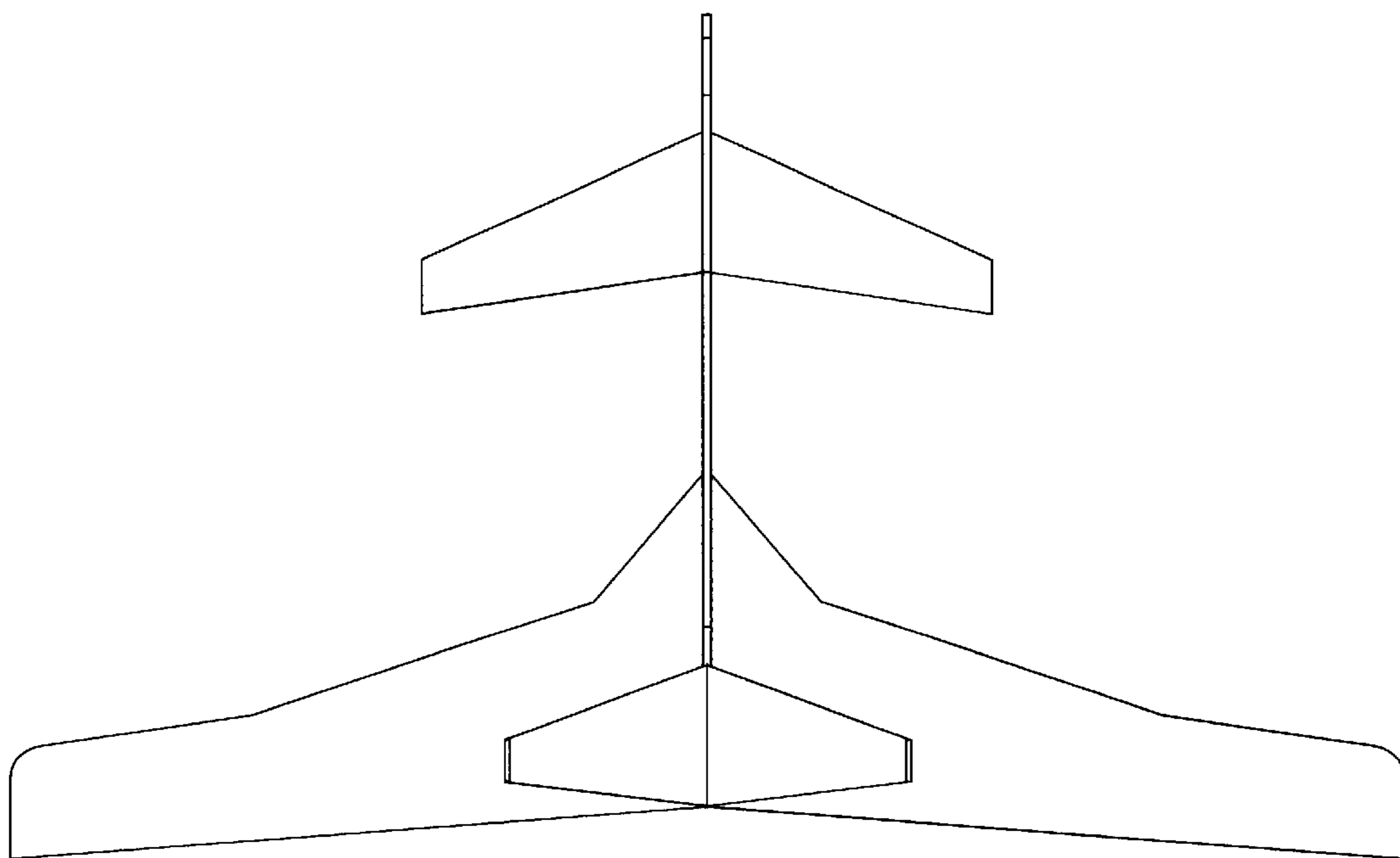


FIG. 6

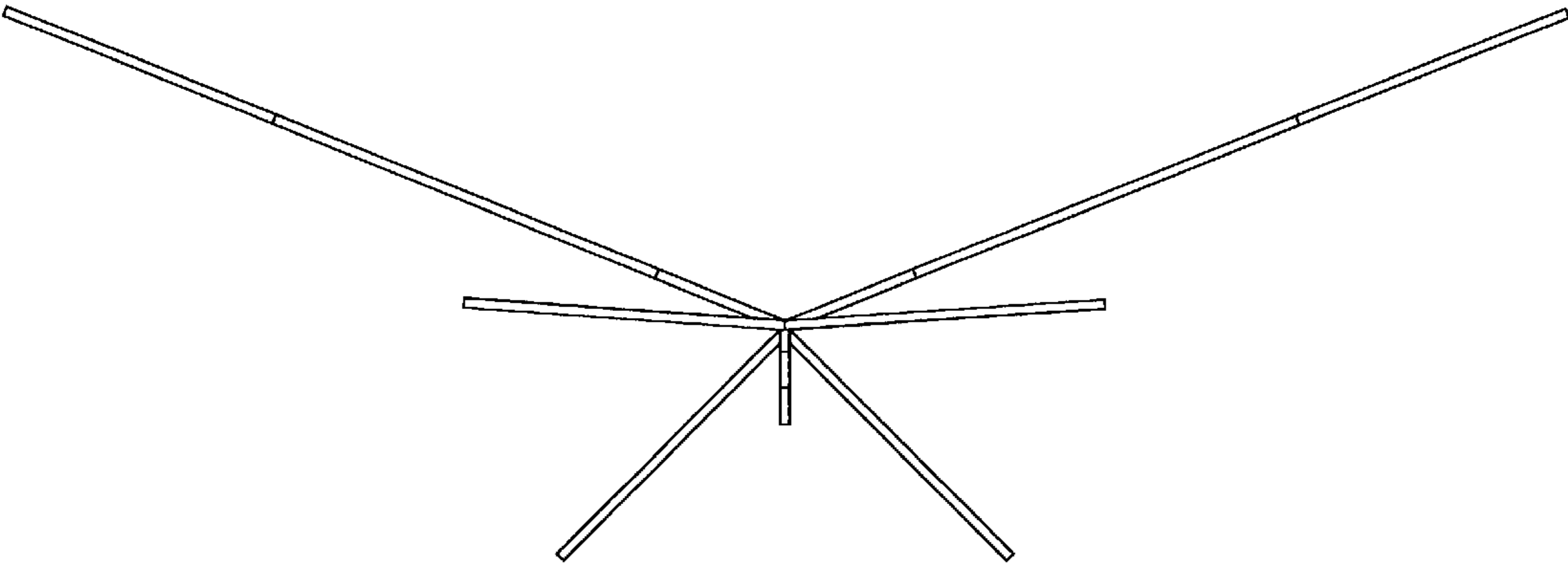


FIG. 7

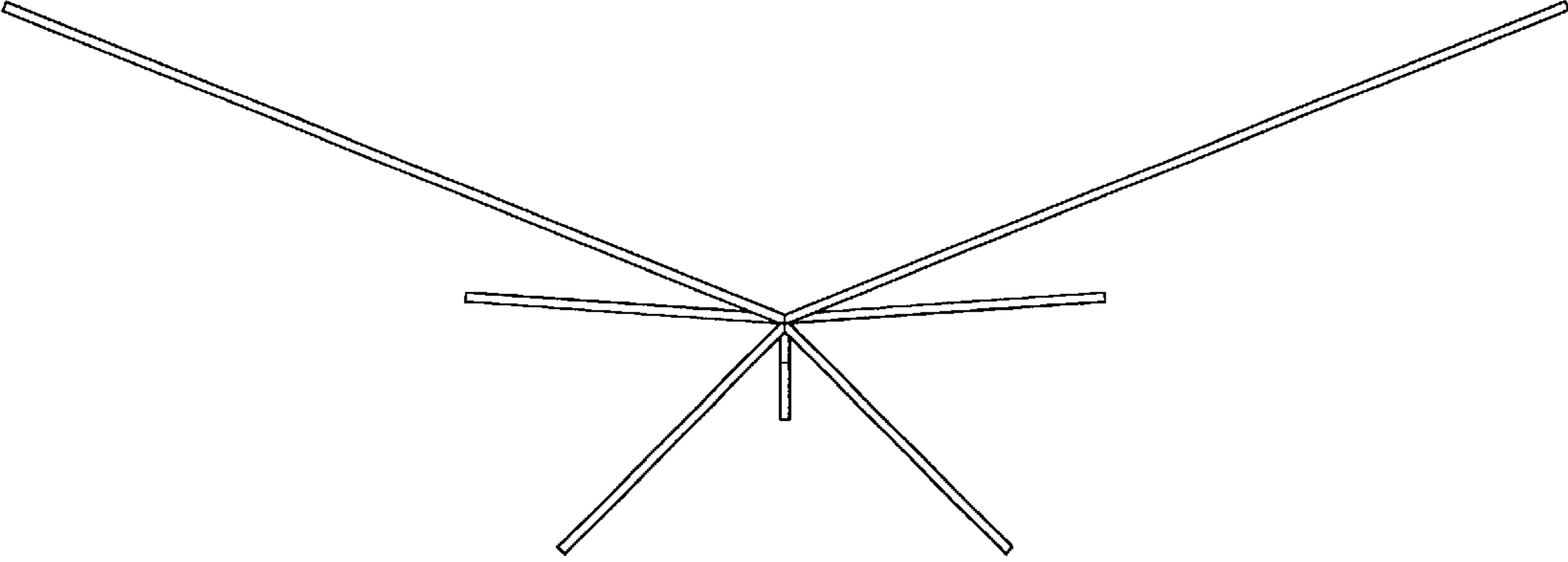


FIG. 8