

US00D496071S1

(12) **United States Design Patent**
Huang

(10) **Patent No.:** **US D496,071 S**

(45) **Date of Patent:** **** Sep. 14, 2004**

(54) **PUNCH**

(76) **Inventor:** **Chien-Kai Huang**, No.136, Tsu Chiang Road, Chang Hua City (TW)

(**) **Term:** **14 Years**

(21) **Appl. No.:** **29/194,697**

(22) **Filed:** **Dec. 1, 2003**

(51) **LOC (7) Cl.** **19-02**

(52) **U.S. Cl.** **D19/72**

(58) **Field of Search** D19/65, 72, 95,
D19/99, 100, 73; D8/49, 50, 51, 98, 105;
30/285, 289, 294, DIG. 3, 358, 363, 364;
83/167, 465, 467, 550, 560, 627, 588, 618,
633

(56) **References Cited**

U.S. PATENT DOCUMENTS

D152,283 S * 1/1949 Misson D19/72
2,587,749 A * 3/1952 Misson 83/627
D202,007 S * 8/1965 Murray D19/72
D289,776 S * 5/1987 Goertz et al. D19/72

4,713,995 A * 12/1987 Davi 83/167
D349,301 S * 8/1994 Mori D19/72
D467,618 S * 12/2002 Gstalder D19/72
D468,772 S * 1/2003 Robillard D19/72
D477,846 S * 7/2003 Racamier D19/72
D479,857 S * 9/2003 Huang D19/72

* cited by examiner

Primary Examiner—Martie K. Holtje

(74) *Attorney, Agent, or Firm*—Bacon & Thomas PLLC

(57) **CLAIM**

The ornamental design for a punch, as shown and described.

DESCRIPTION

FIG. 1 is a perspective view of a punch showing my new design;

FIG. 2 is a front elevational view thereof;

FIG. 3 is a rear elevational view thereof;

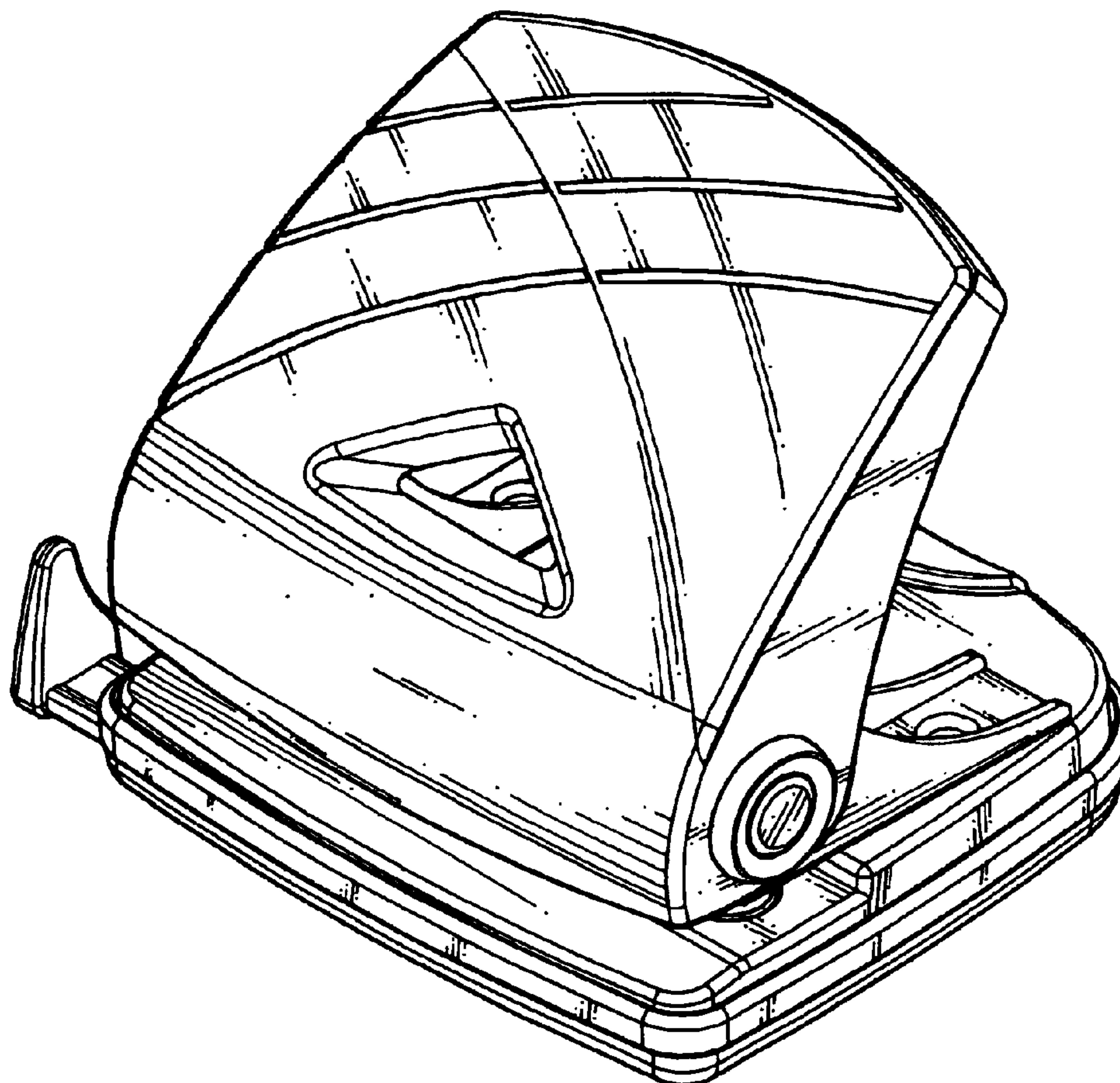
FIG. 4 is a left elevational view thereof;

FIG. 5 is a right elevational view thereof;

FIG. 6 is a top plan view thereof; and,

FIG. 7 is a bottom plan view thereof.

1 Claim, 4 Drawing Sheets



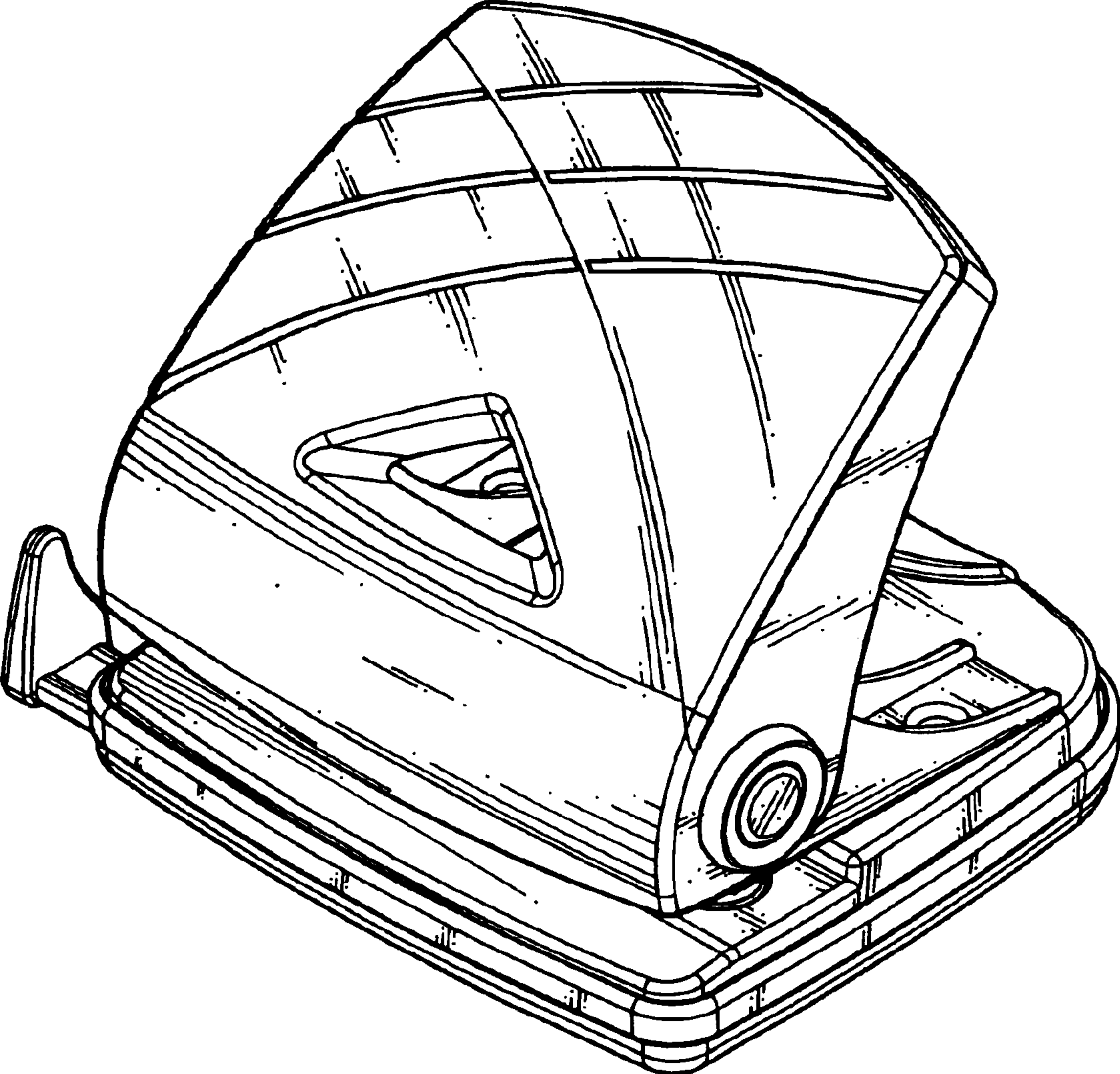


FIG. 1

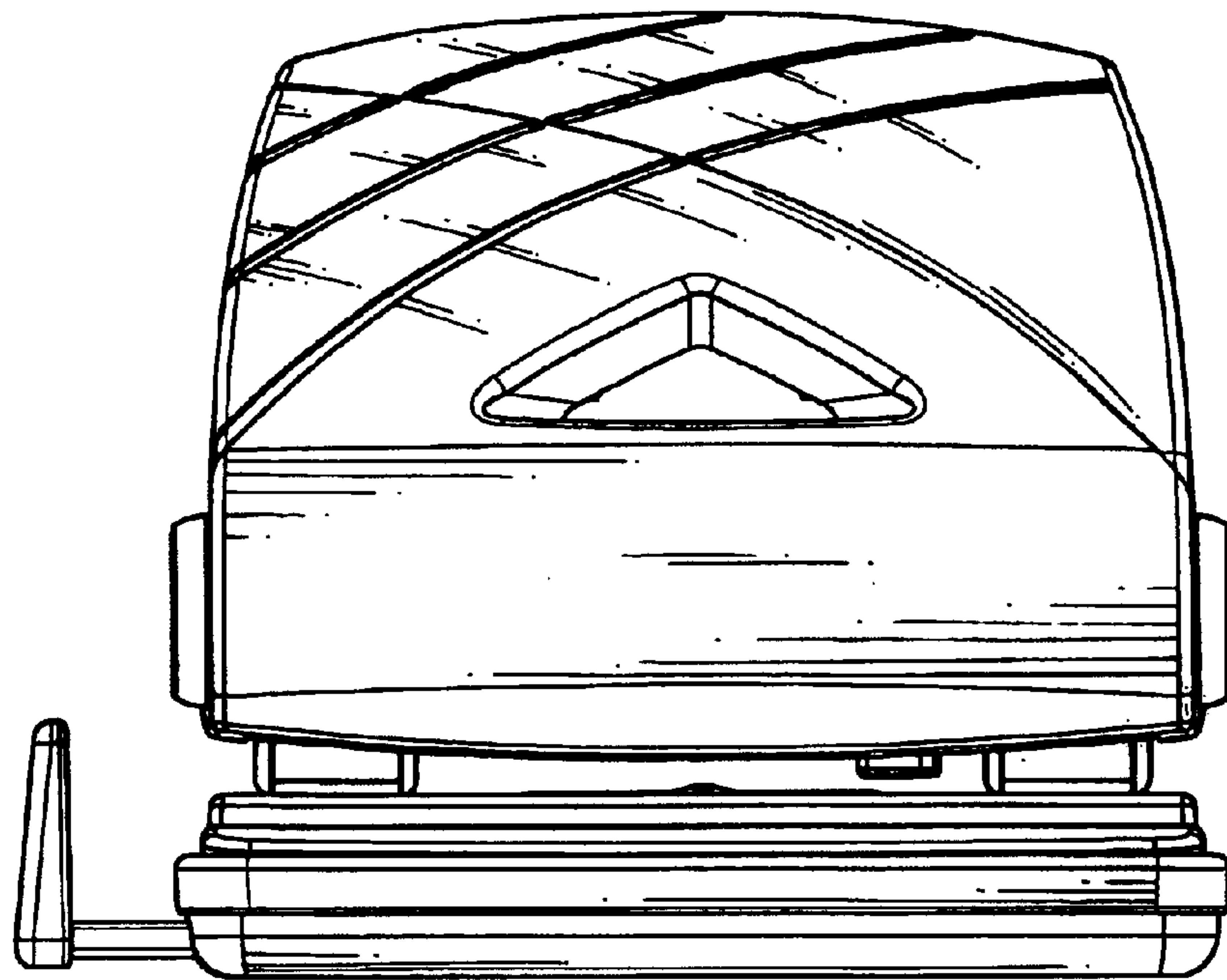


FIG. 2

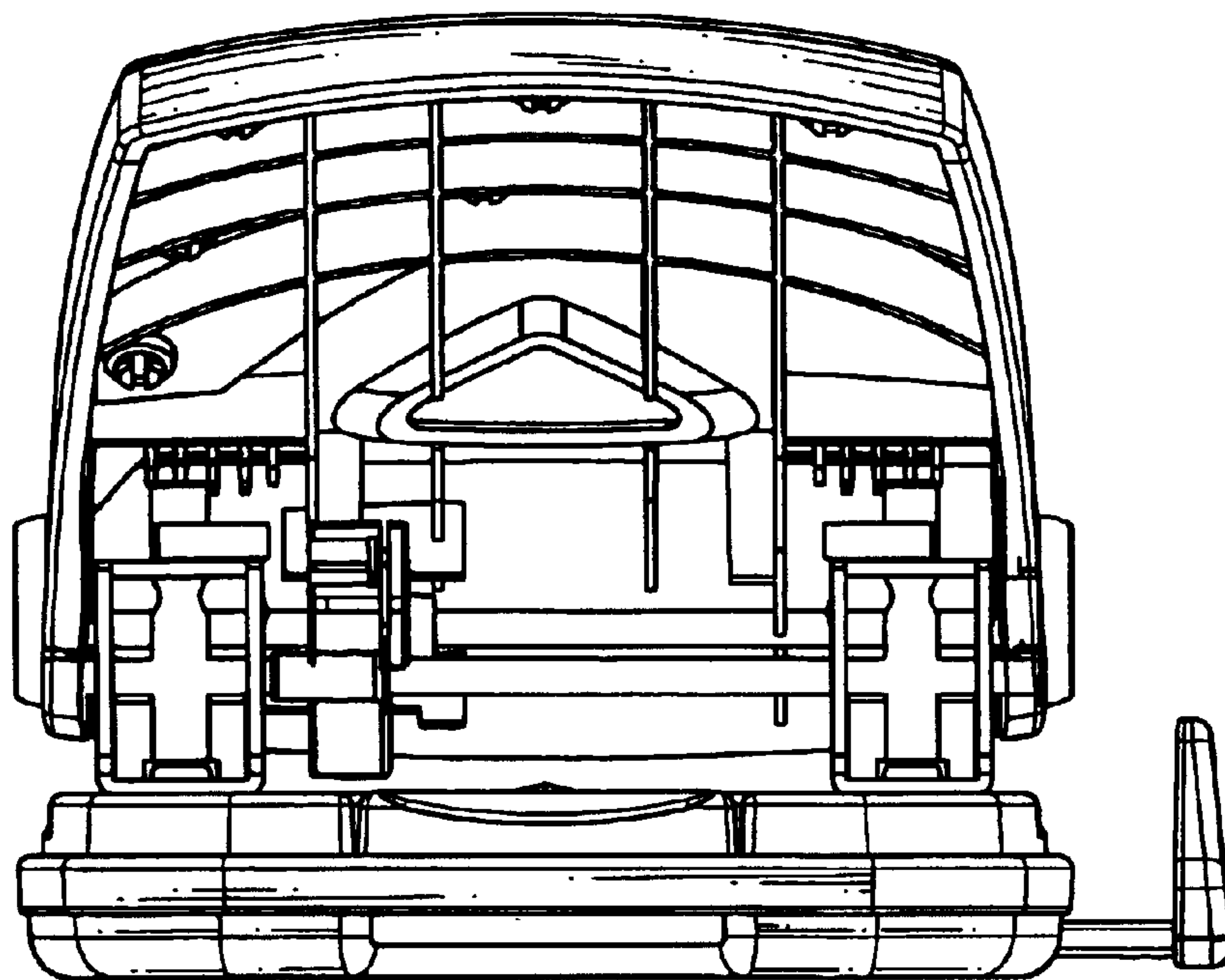


FIG. 3

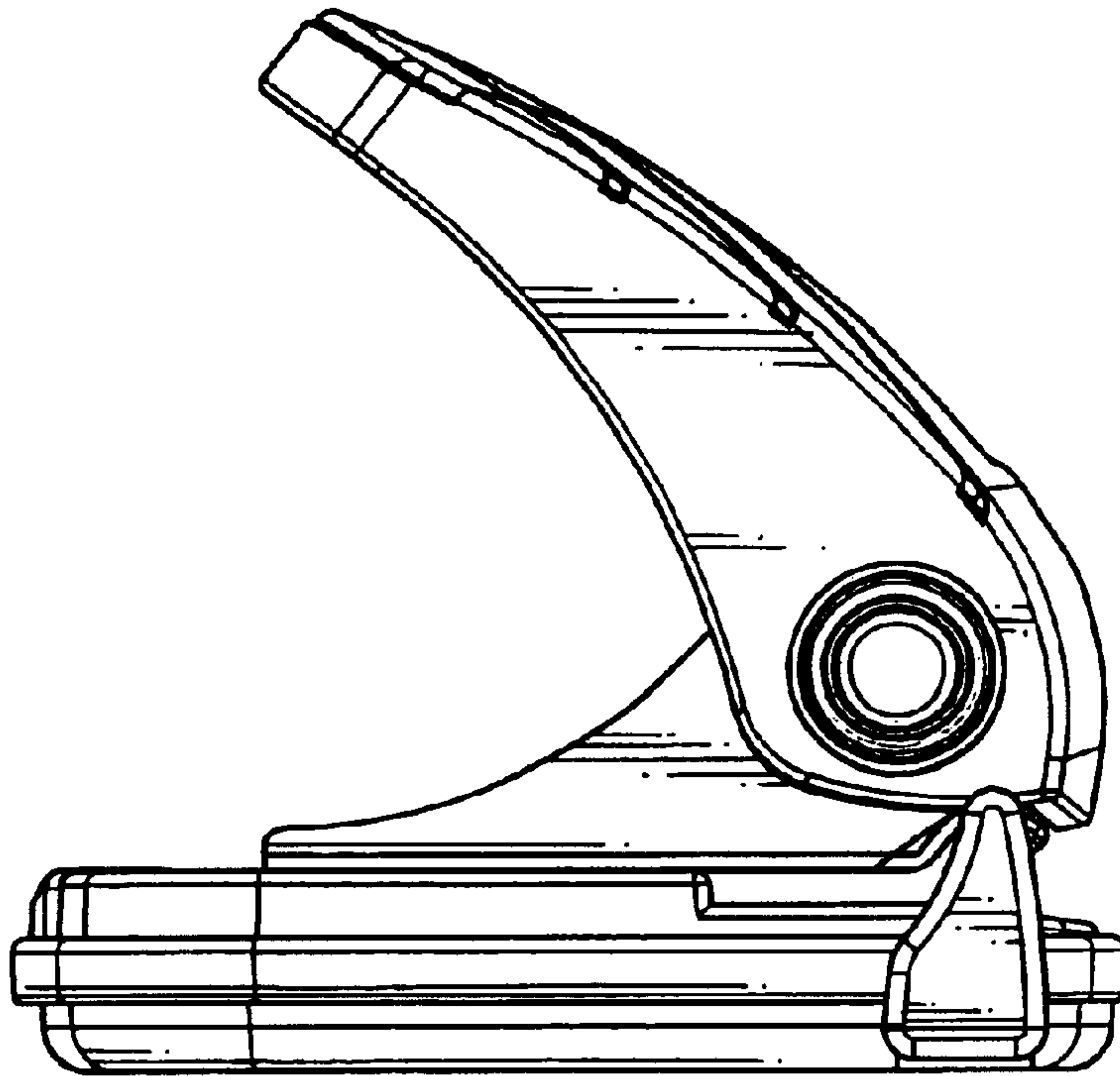


FIG. 4

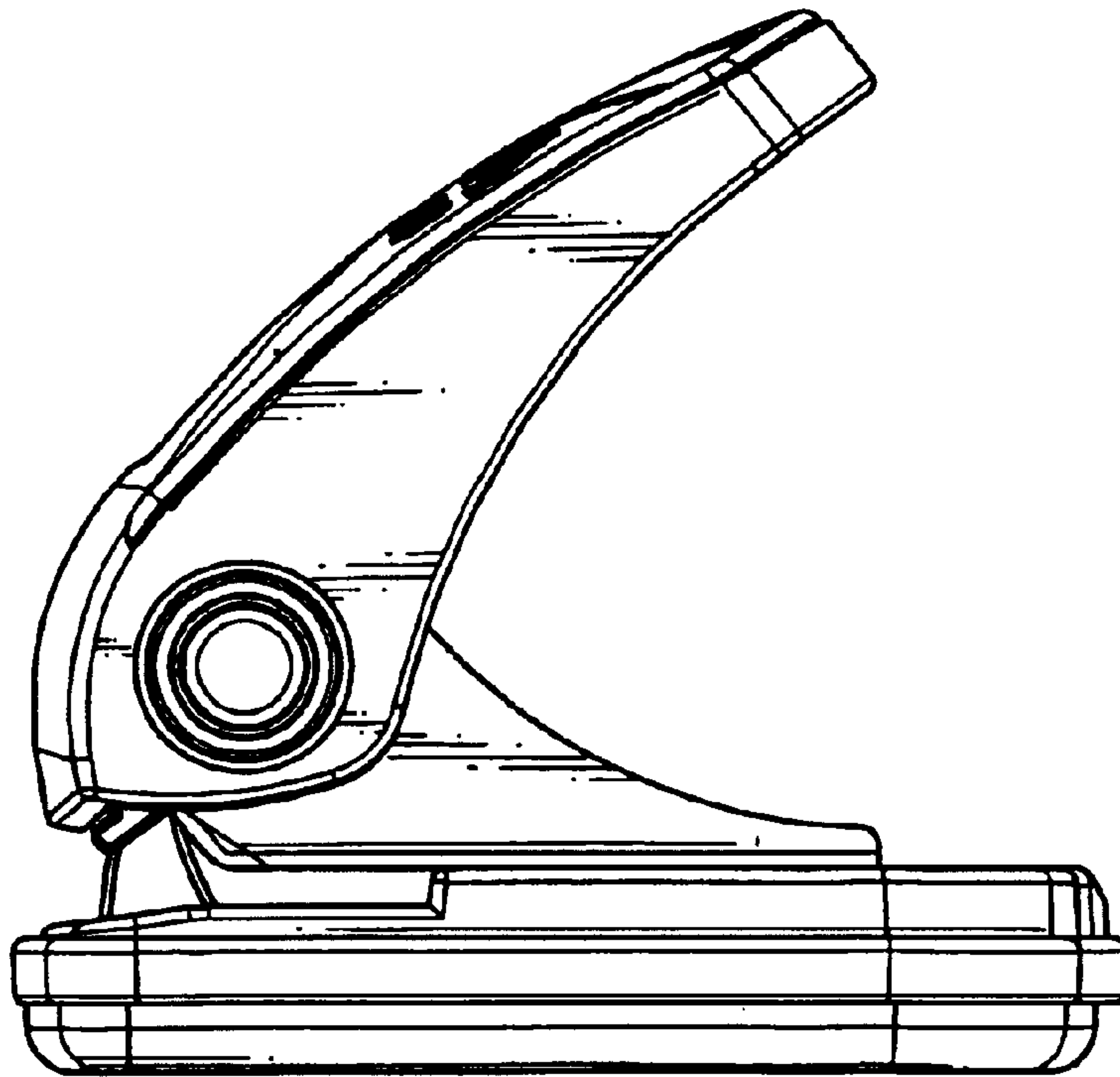


FIG. 5

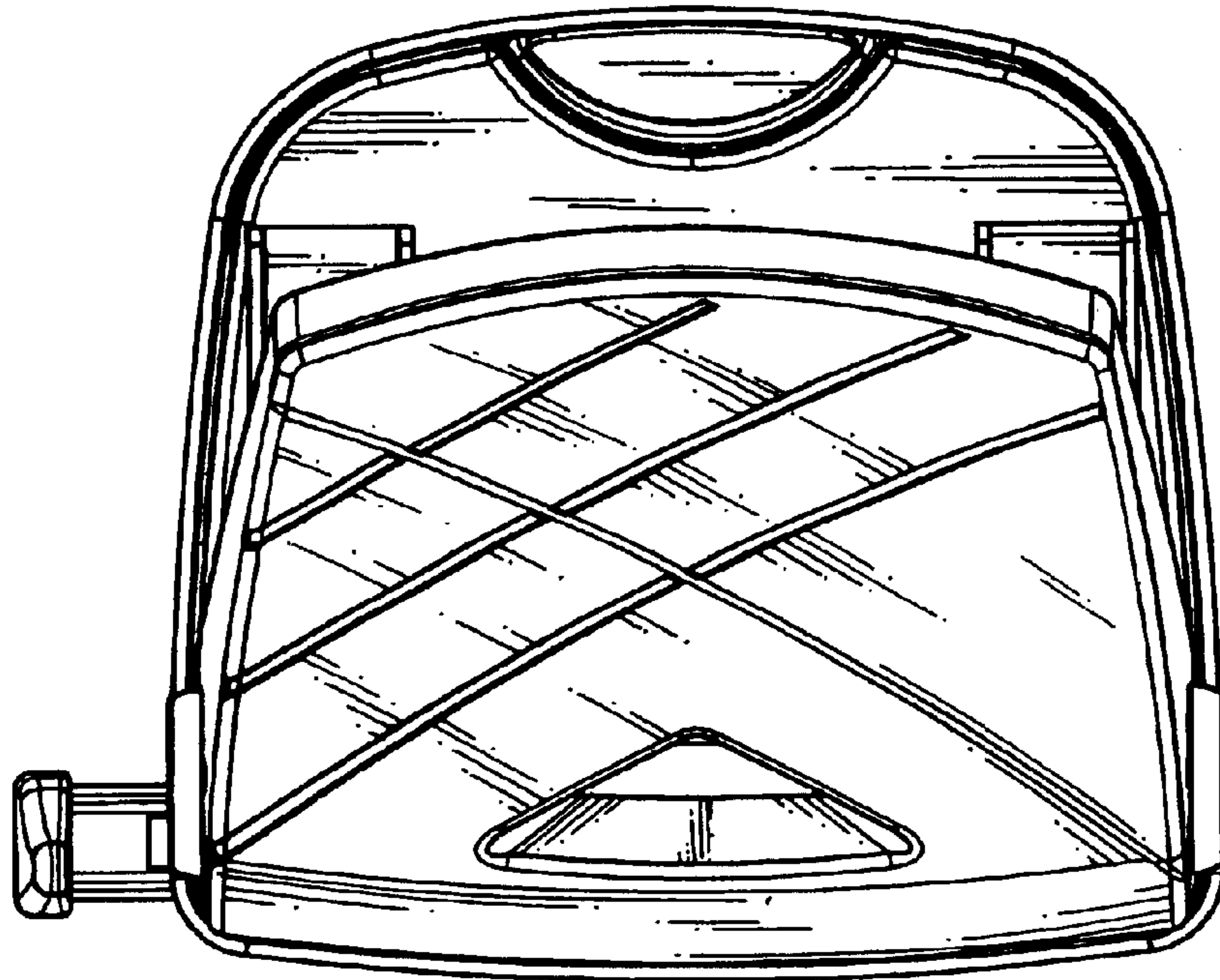


FIG. 6

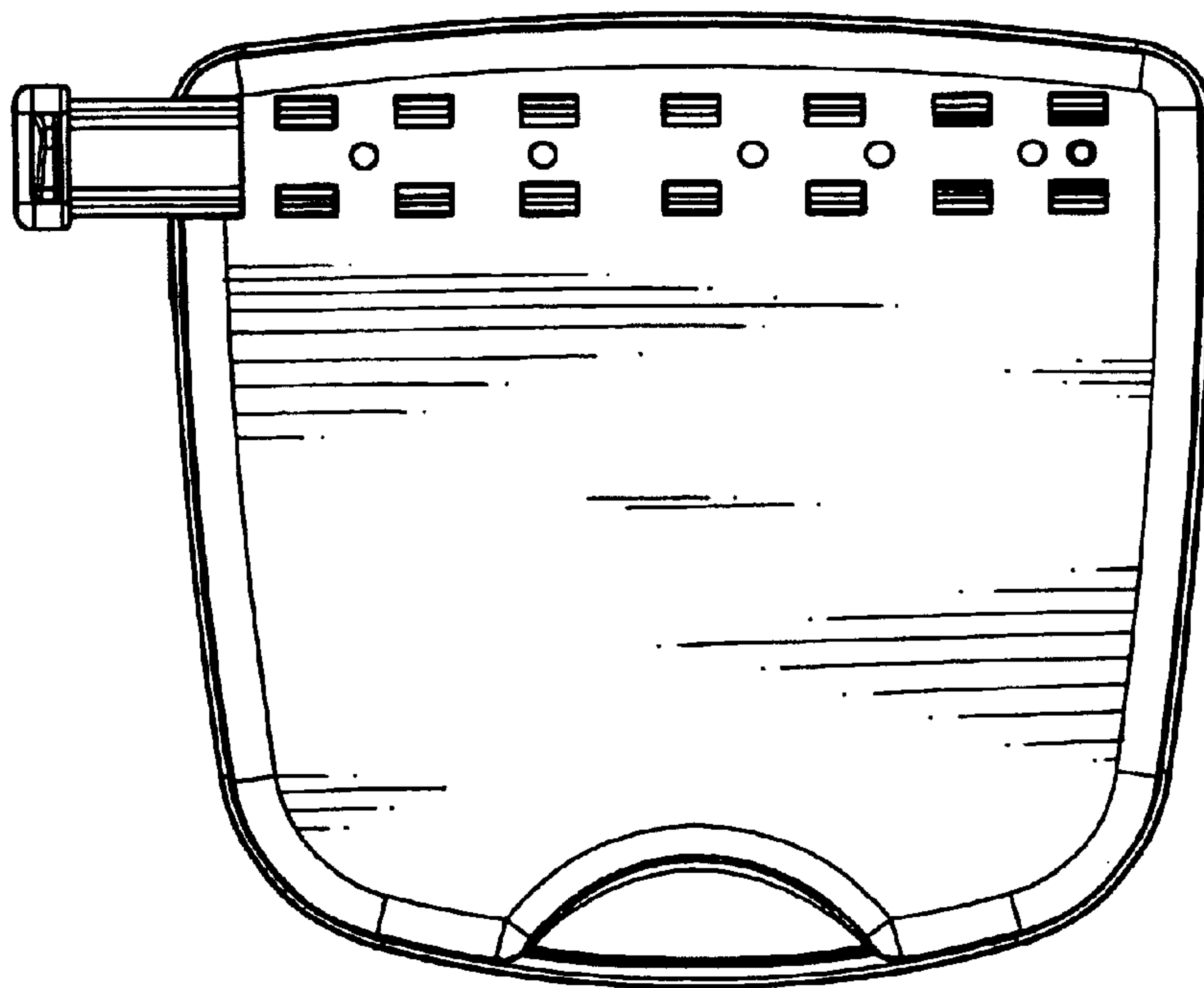


FIG. 7