

US00D496070S1

(12) **United States Design Patent**
Furlong et al.

(10) **Patent No.: US D496,070 S**
(45) **Date of Patent: ** Sep. 14, 2004**

- (54) **CAP FOR A HIGHLIGHTER**
- (75) Inventors: **Brian D. Furlong**, Westchester, IL
(US); **Jaime Arenas**, Oak Park, IL (US)
- (73) Assignee: **Sanford, L.P.**, Bellwood, IL (US)
- (**) Term: **14 Years**
- (21) Appl. No.: **29/199,138**
- (22) Filed: **Feb. 10, 2004**
- (51) **LOC (7) Cl.** **19-06**
- (52) **U.S. Cl.** **D19/57; D19/56**
- (58) **Field of Search** D19/35, 36, 41-51,
D19/53-58, 81-85; 401/98, 196, 198, 202,
213, 243, 244, 245-247, 261-262, 260;
24/10 R, 11 R, 11 PP, 11 F

(56) **References Cited**

U.S. PATENT DOCUMENTS

D201,412 S	*	6/1965	De Groft	D19/43
D205,330 S	*	7/1966	Capezzuto	D19/43
D264,547 S	*	5/1982	Watson	D19/43
D295,878 S	*	5/1988	Lovell	D19/43
D330,388 S	*	10/1992	Choi	D19/36
D334,406 S	*	3/1993	Celender	D19/43
D354,080 S	*	1/1995	Chevalier	D19/51
D369,183 S	*	4/1996	Yoshida	D19/49

D386,526 S	*	11/1997	Ito	D19/53
D403,703 S	*	1/1999	Campbell	D19/43
D471,586 S		3/2003	Geiselhart et al.	D19/36
D477,362 S	*	7/2003	Belton et al.	D19/43

* cited by examiner

Primary Examiner—Martie K. Holtje
(74) *Attorney, Agent, or Firm*—Marshall, Gerstein & Borun LLP

(57) **CLAIM**

The ornamental design for a “cap for a highlighter”, as shown and described.

DESCRIPTION

FIG. 1 is a right side perspective view taken from the side and above showing our new design;
 FIG. 2 is a front elevational view thereof;
 FIG. 3 is a right side elevational view, the left side elevational view being a mirror image thereof;
 FIG. 4 is a rear elevational view thereof;
 FIG. 5 is a top plan view thereof; and,
 FIG. 6 is a bottom plan view thereof.

The broken lines showing a barrel of a highlighter are for illustrative purposes only and form no part of the claimed design.

1 Claim, 2 Drawing Sheets

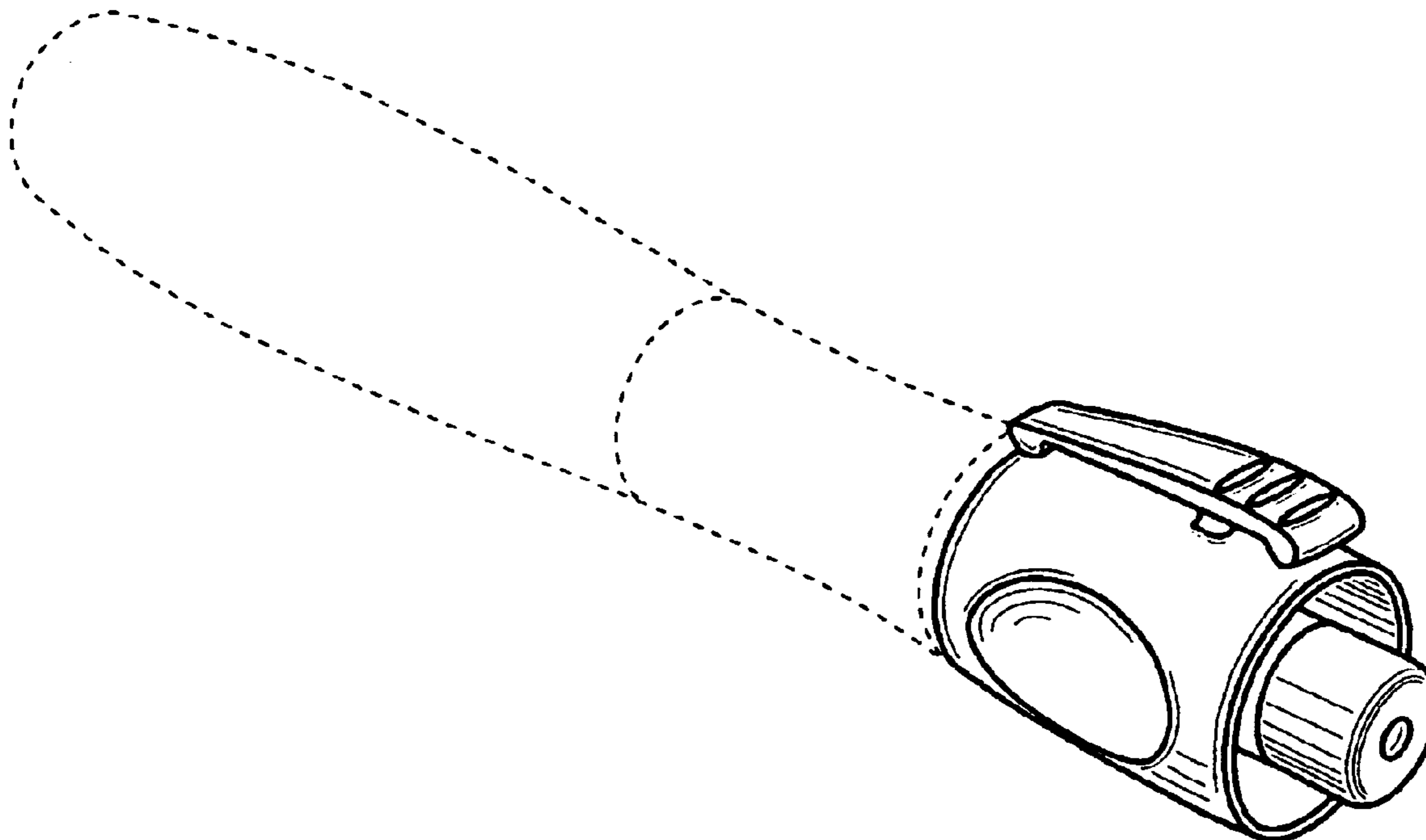


FIG. 1

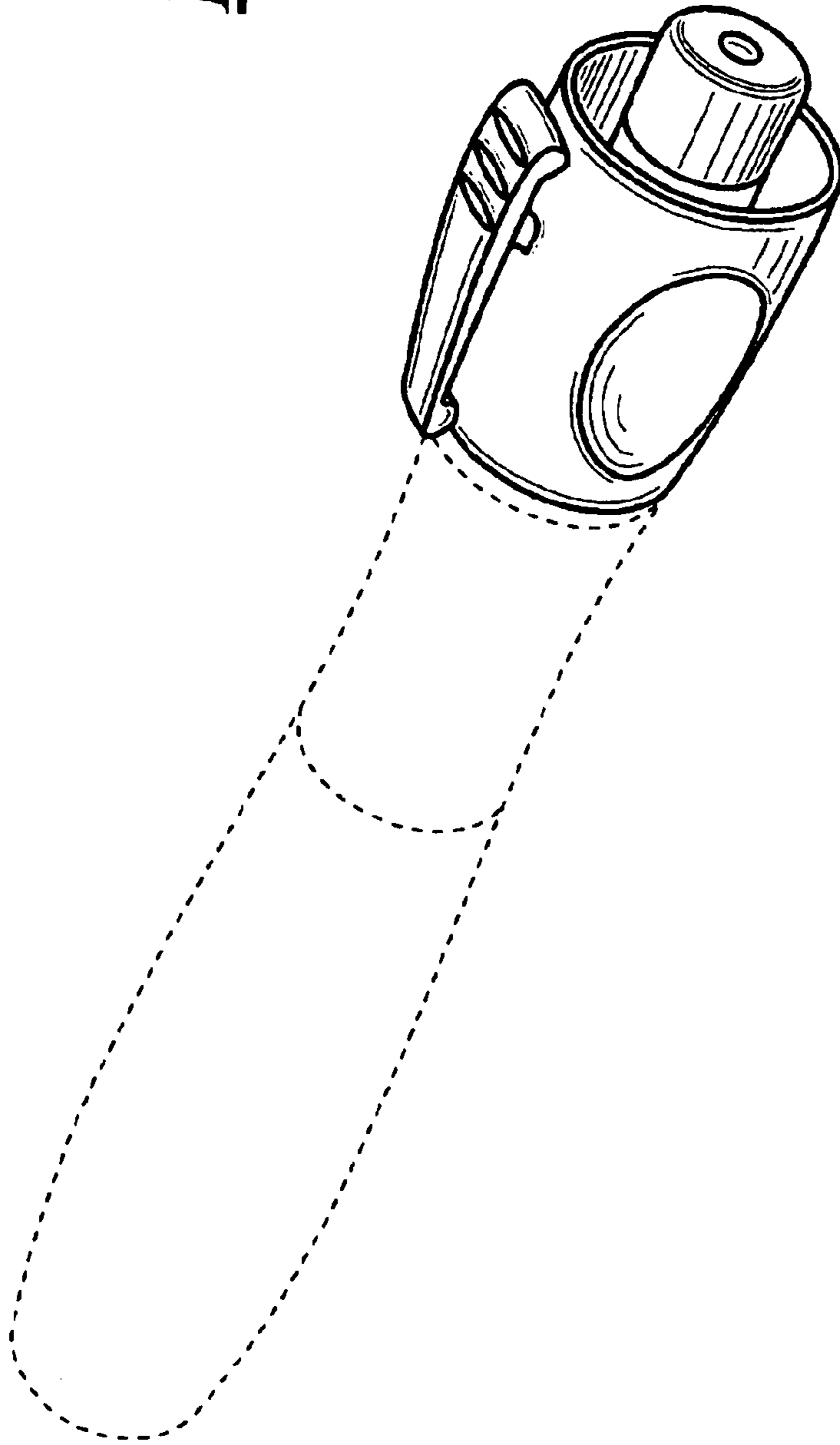


FIG. 6

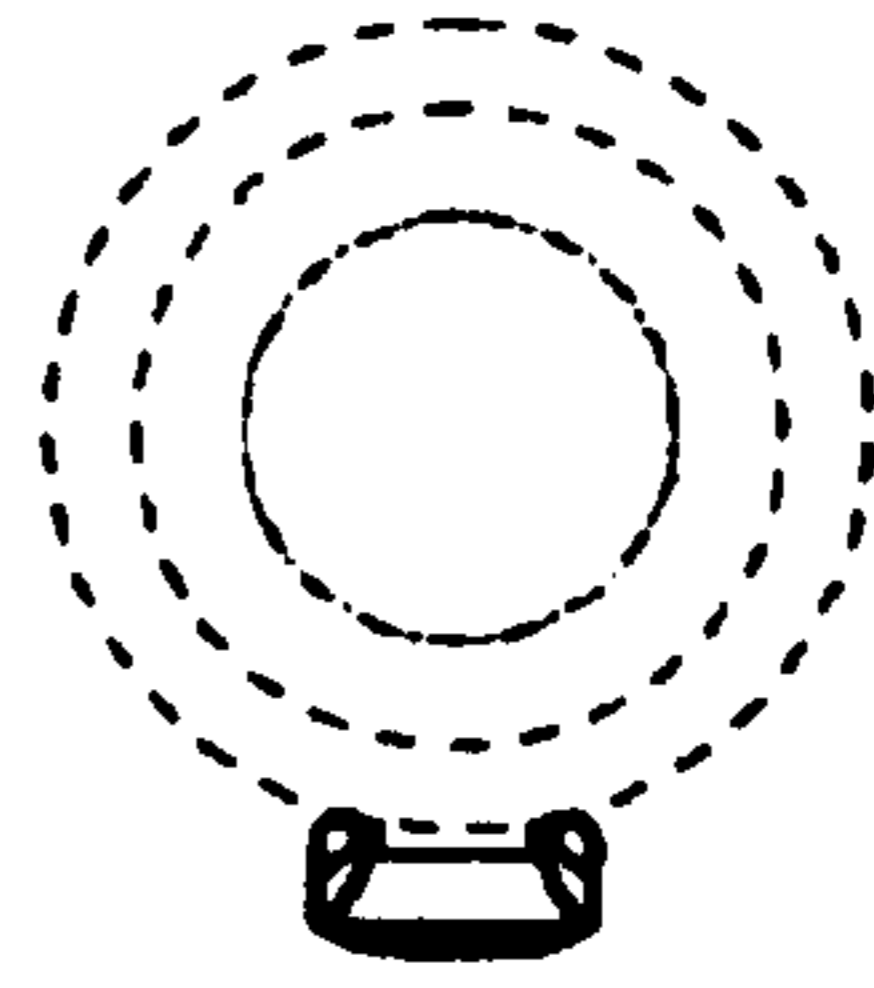


FIG. 5

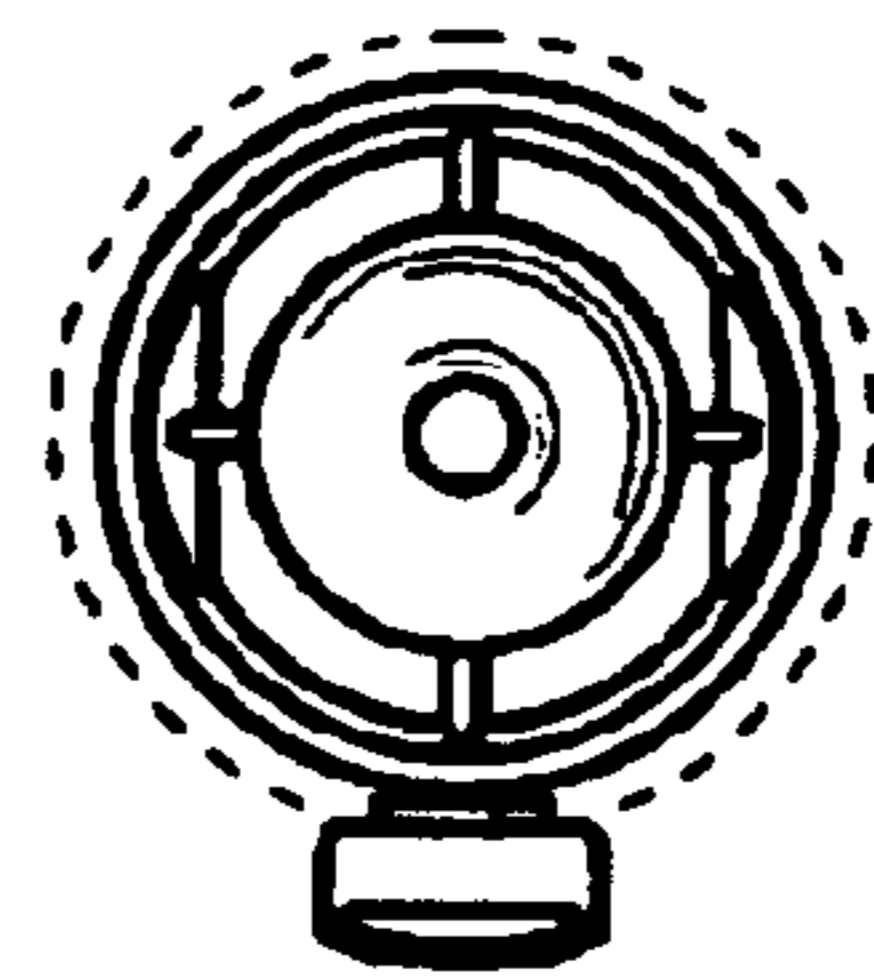


FIG. 2

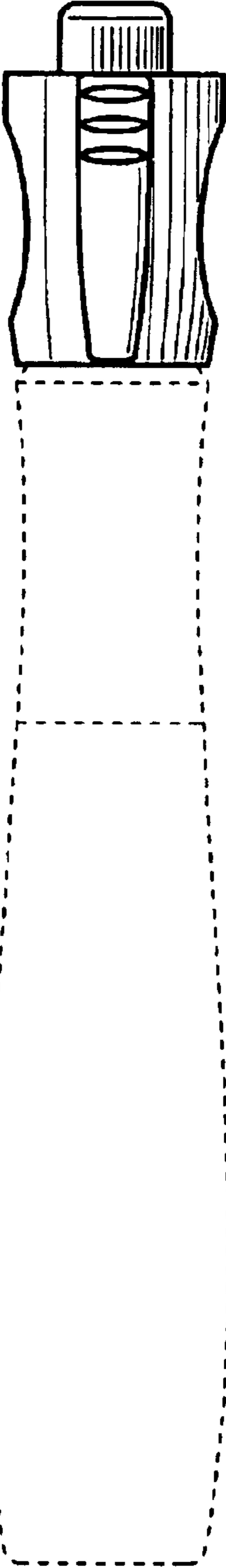


FIG. 3

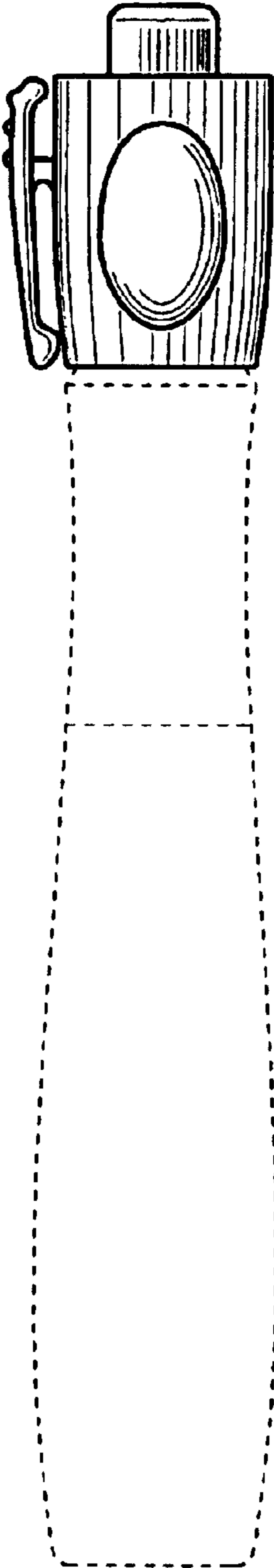


FIG. 4

