



US00D496068S1

(12) **United States Design Patent**  
**Mandel**

(10) **Patent No.:** **US D496,068 S**

(45) **Date of Patent:** **\*\* Sep. 14, 2004**

(54) **DRY ERASE BOARD**

(75) **Inventor:** **Logan Flash Mandel**, Los Angeles, CA (US)

(73) **Assignee:** **GMPC**, Santa Monica, CA (US)

(\*\*) **Term:** **14 Years**

(21) **Appl. No.:** **29/197,543**

(22) **Filed:** **Jan. 16, 2004**

(51) **LOC (7) Cl.** ..... **19-06**

(52) **U.S. Cl.** ..... **D19/36; D19/52; D19/53; D19/84**

(58) **Field of Search** ..... D19/35, 36, 52, D19/53, 41-51, 54-58, 78, 81-85, 90, 91; D12/191; D20/10, 19, 39, 42; D6/300, 527, 553, 569-572; 40/1, 793; 211/69.1-69.9, 94.01, 86.01, 89.01; 434/415; 248/316.7, 316.8, 309.1

(56) **References Cited**

**U.S. PATENT DOCUMENTS**

799,167 A *	9/1905	Jorgensen	.....	434/415
D274,065 S *	5/1984	Goutchat	.....	D19/78
D325,554 S *	4/1992	Min-Jenn	.....	D12/417
5,232,103 A *	8/1993	Koenig et al.	.....	211/69.5
D343,865 S *	2/1994	Pohl	.....	D19/78
5,658,635 A *	8/1997	Davis et al.	.....	40/793
5,743,414 A *	4/1998	Baudino	.....	211/69.1

D402,696 S \* 12/1998 Rosen ..... D19/52

\* cited by examiner

*Primary Examiner*—Martie K. Holtje

(74) *Attorney, Agent, or Firm*—Christie, Parker & Hale, LLP

(57) **CLAIM**

The ornamental design for dry erase board, as shown and described.

**DESCRIPTION**

FIG. 1 is front left isometric view of the dry erase board of the invention showing an eraser and dry mark pen engaged therewith.

FIG. 2 is a front plan view of the dry erase board of FIG. 1.

FIG. 3 is a top plan view of the dry erase board of FIG. 1.

FIG. 4 is a bottom plan view of the dry erase board of FIG. 1.

FIG. 5 is a left side view of the dry erase board of FIG. 1. FIG. 6 is a right side view of the dry erase board of FIG. 1; and,

FIG. 7 is front left isometric view of the dry erase board of the invention of FIG. 1, but without showing any eraser or a dry mark pen engaged therewith.

The back side of the dry erase board of the invention does not form a part of the design of the invention and accordingly is not shown.

**1 Claim, 5 Drawing Sheets**

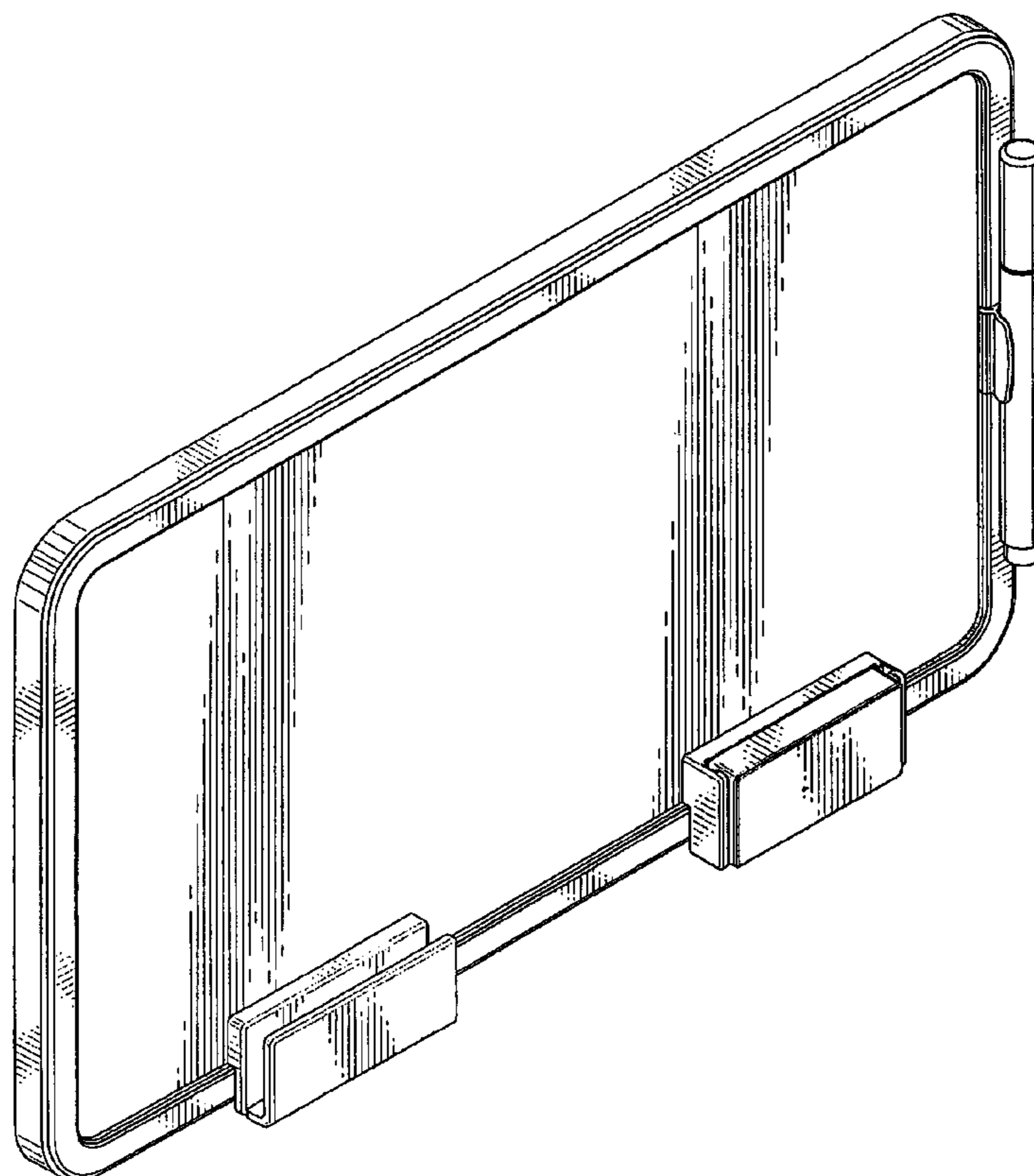


FIG. 1

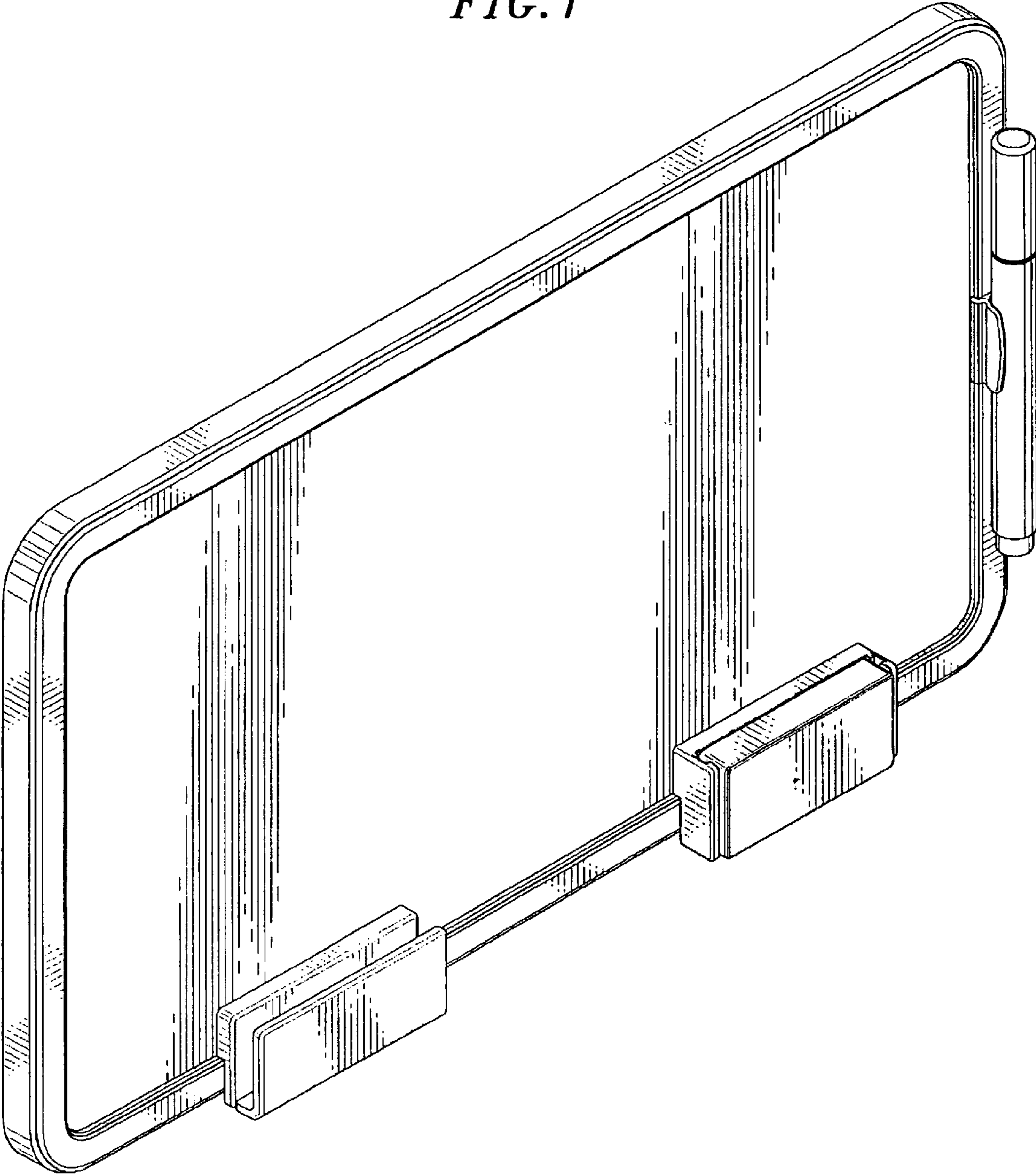


FIG. 2

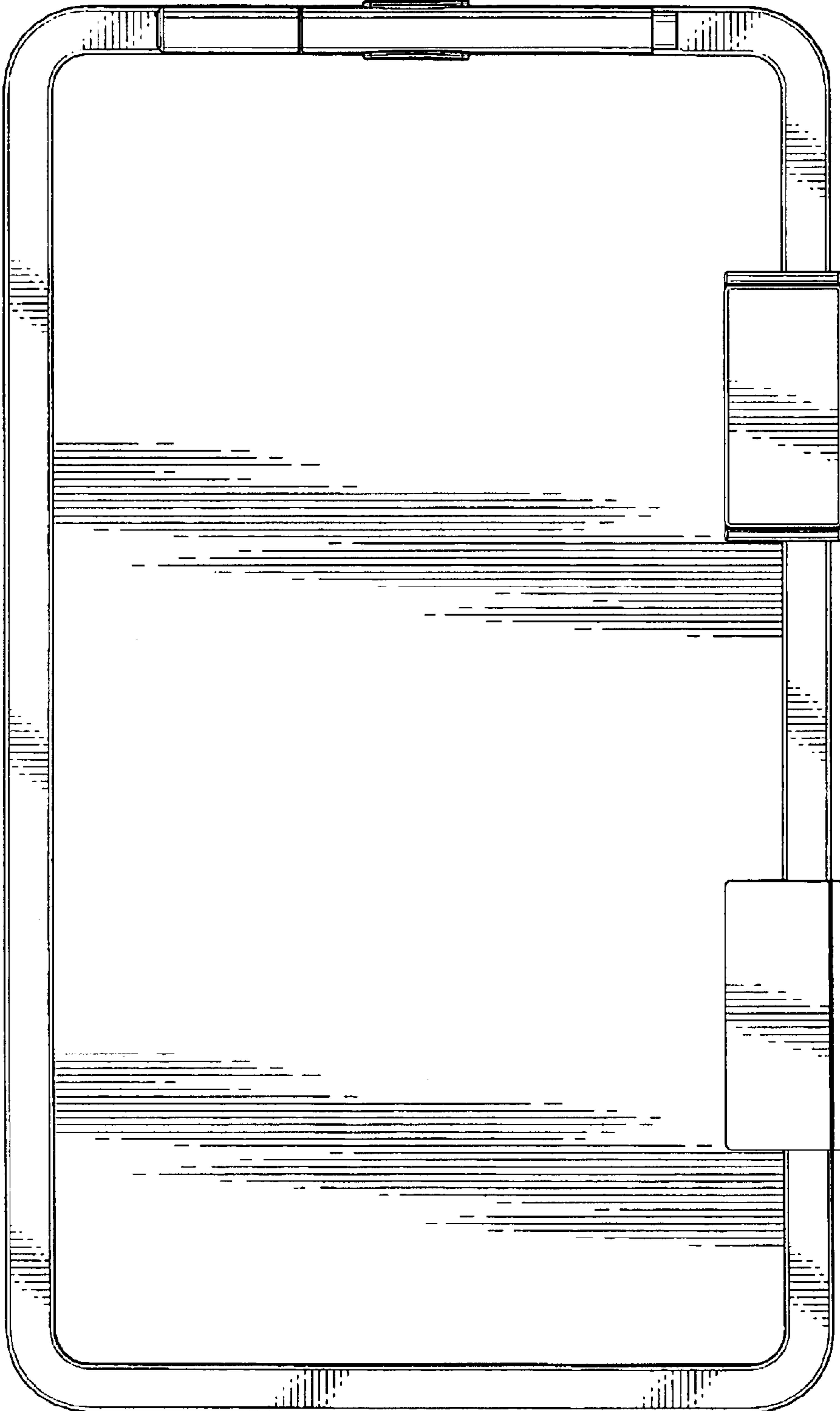


FIG. 3



FIG. 4

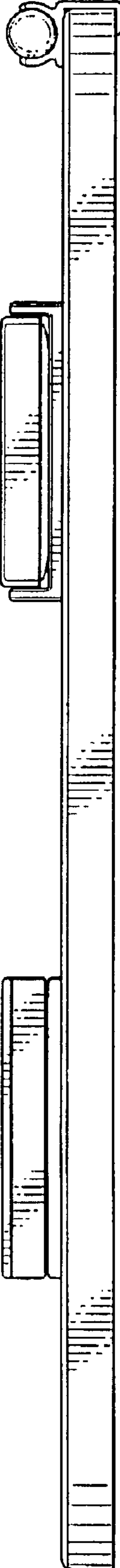


FIG. 6

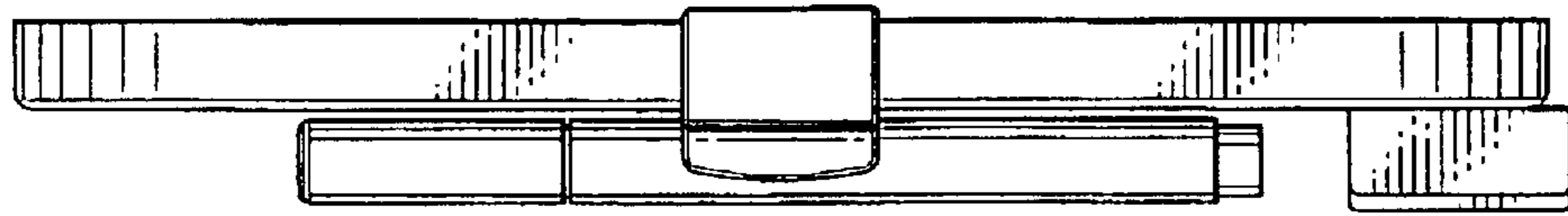


FIG. 5

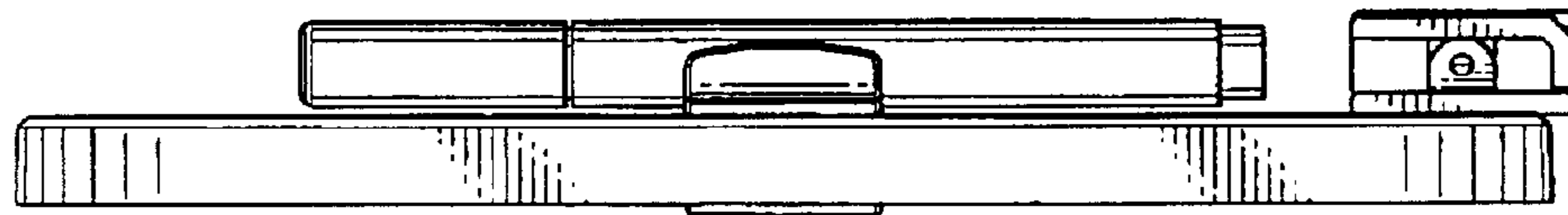
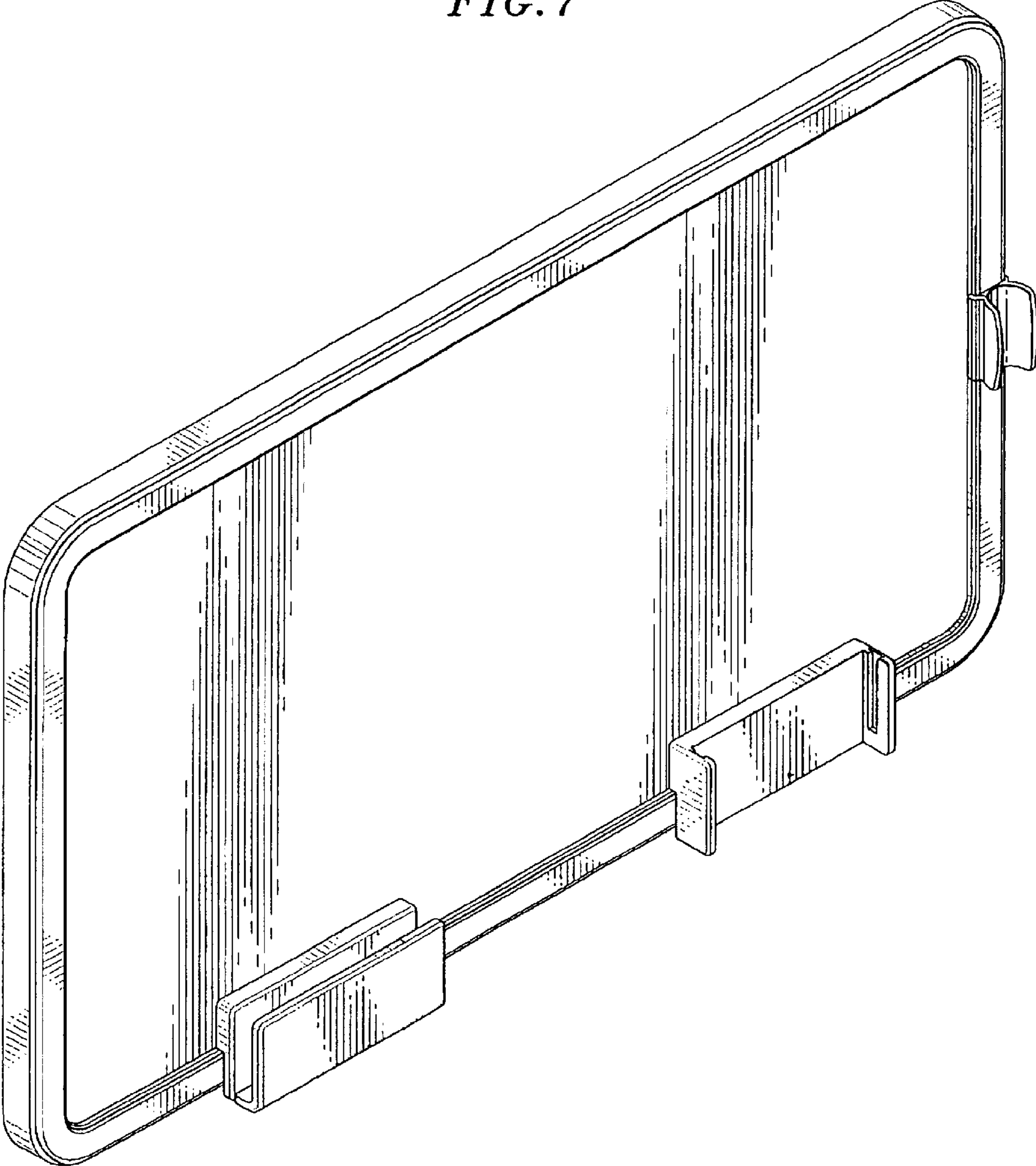


FIG. 7





UNITED STATES PATENT AND TRADEMARK OFFICE  
**CERTIFICATE OF CORRECTION**

PATENT NO. : Des. 496,068 S  
DATED : September 14, 2004  
INVENTOR(S) : Logan Flash Mandel

Page 1 of 1

It is certified that error appears in the above-identified patent and that said Letters Patent is hereby corrected as shown below:

Title page,

Item [73], Assignee, delete "GMPC", insert -- **GMPC dba Gary Mandel Promotional Concepts, Inc.** --

Signed and Sealed this

Fifteenth Day of February, 2005

A handwritten signature in black ink on a dotted background. The signature reads "Jon W. Dudas" in a cursive style.

JON W. DUDAS

*Director of the United States Patent and Trademark Office*