

US00D496060S1

(12) **United States Design Patent**
Nagayama

(10) **Patent No.:** **US D496,060 S**

(45) **Date of Patent:** **** Sep. 14, 2004**

(54) **DIGITAL CAMERA**

D482,054 S * 11/2003 Nasu D16/202

(75) **Inventor:** **Yosuke Nagayama, Tokyo (JP)**

* cited by examiner

(73) **Assignee:** **Casio Keisanki Kabushiki Kaisha, Tokyo (JP)**

Primary Examiner—Adir Aronovich

(74) *Attorney, Agent, or Firm*—Frishauf, Holtz, Goodman & Chick, P.C.

(**) **Term:** **14 Years**

(57) **CLAIM**

(21) **Appl. No.:** **29/196,199**

The ornamental design for a digital camera, as shown and described.

(22) **Filed:** **Dec. 22, 2003**

DESCRIPTION

(51) **LOC (7) Cl.** **16-01**

(52) **U.S. Cl.** **D16/202**

(58) **Field of Search** D16/200–205,
D16/208, 218; 348/373–376; 358/906, 909.1;
396/535–541

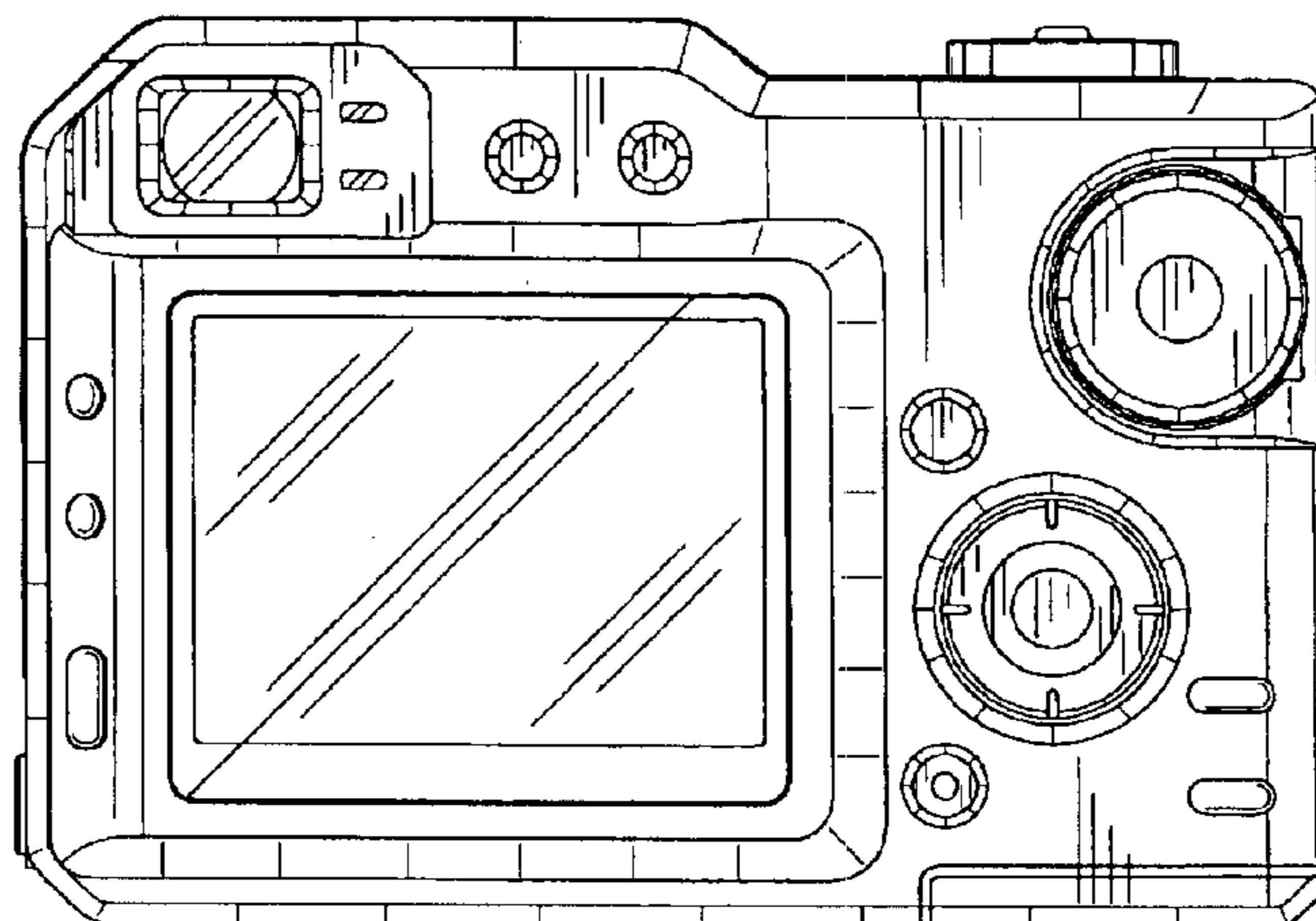
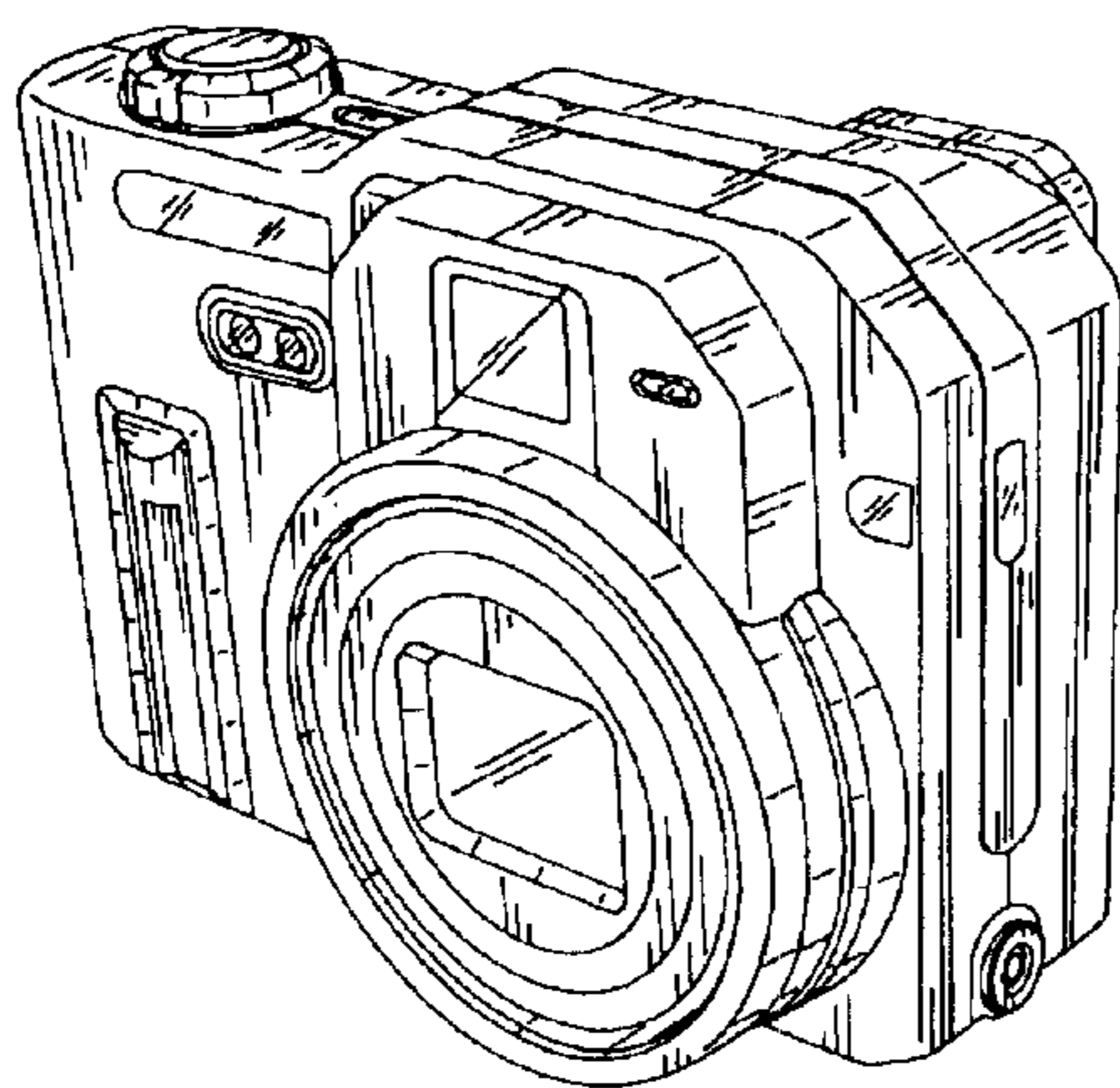
FIG. 1 is a reduced top, front, right side perspective view of a digital camera showing my new design; FIG. 2 is a front elevational view thereof; FIG. 3 is a rear elevational view thereof; FIG. 4 is a left side view thereof; FIG. 5 is a right side view thereof; FIG. 6 is a top plan view thereof; FIG. 7 is a bottom plan view thereof; and, FIG. 8 is a reduced top, front, right side perspective view thereof showing the zoom lens extended.

(56) **References Cited**

U.S. PATENT DOCUMENTS

D462,978 S * 9/2002 Nicklos et al. D16/218
6,463,222 B1 * 10/2002 Ito et al. 396/541
D479,547 S * 9/2003 Nagayama D16/202
D481,405 S * 10/2003 Sakaguchi D16/202

1 Claim, 4 Drawing Sheets



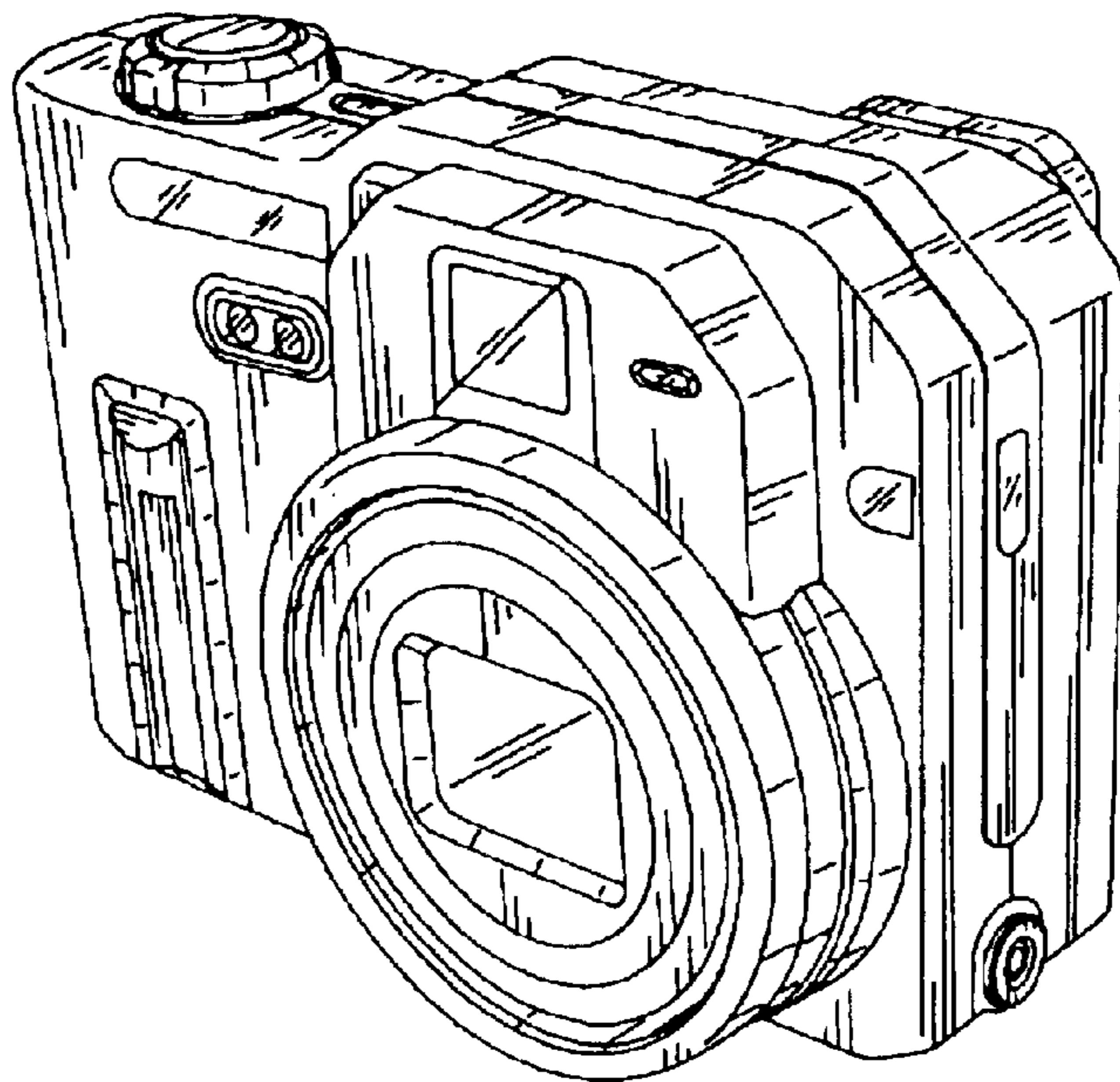


FIG. 1

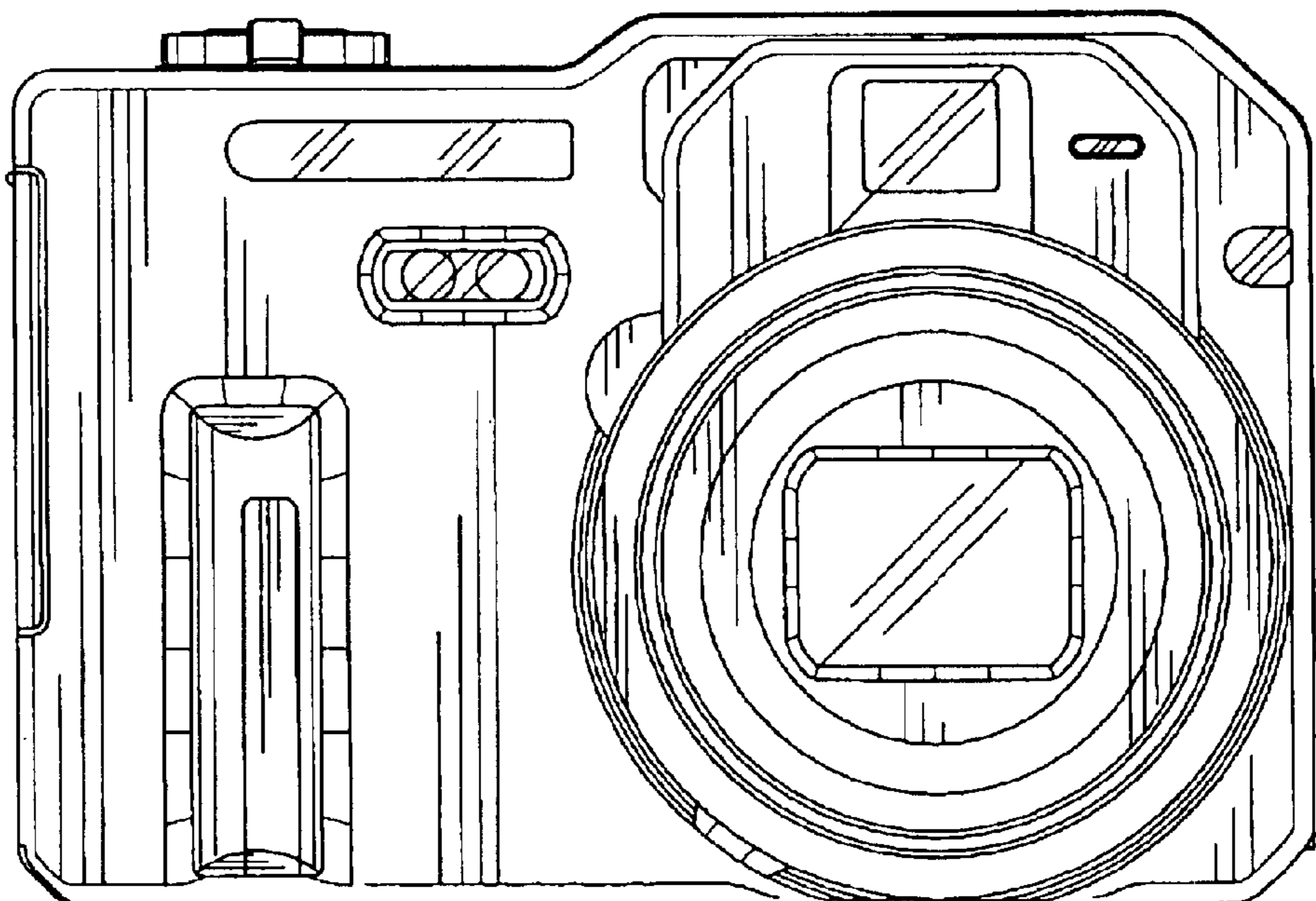


FIG. 2

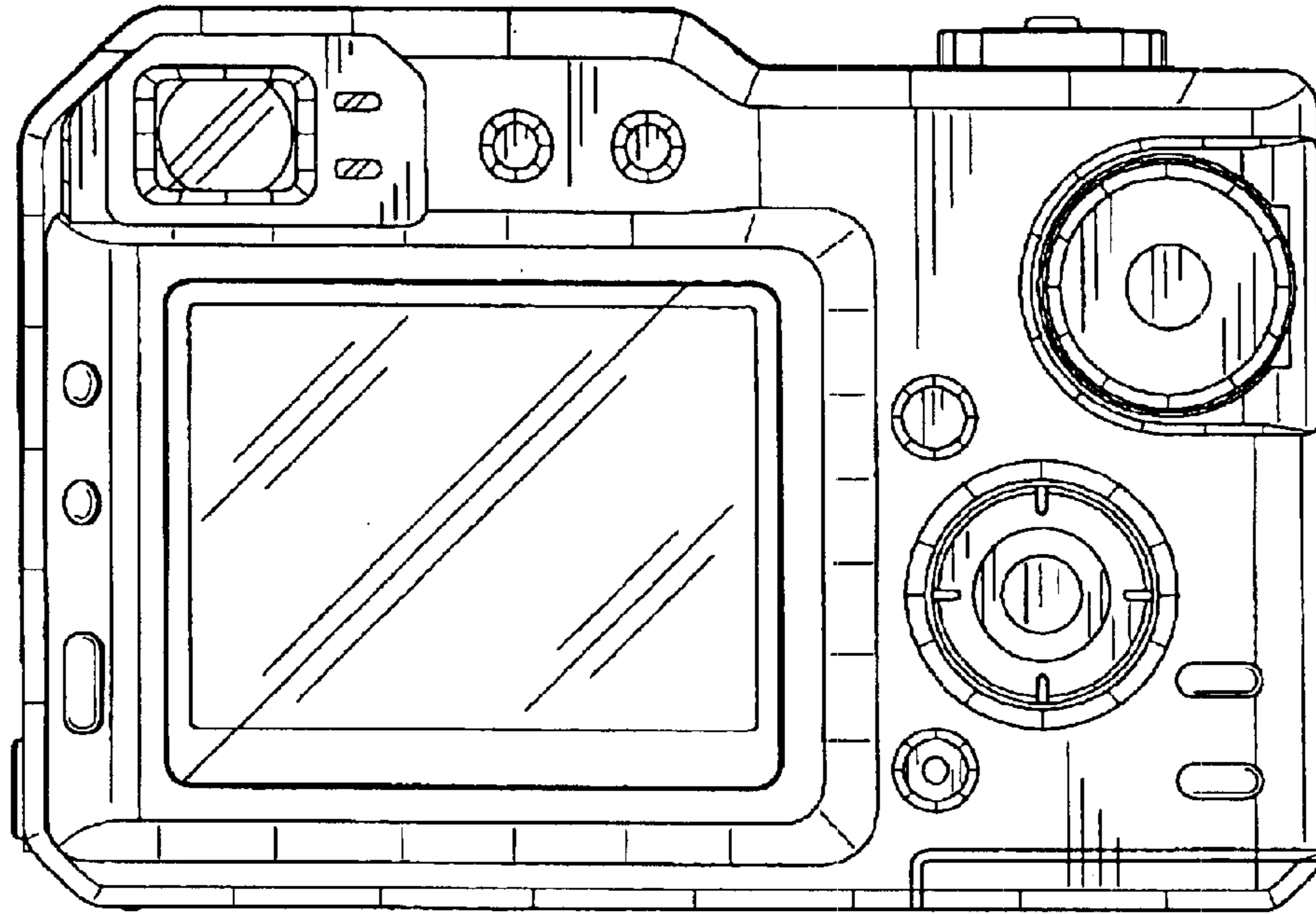


FIG. 3

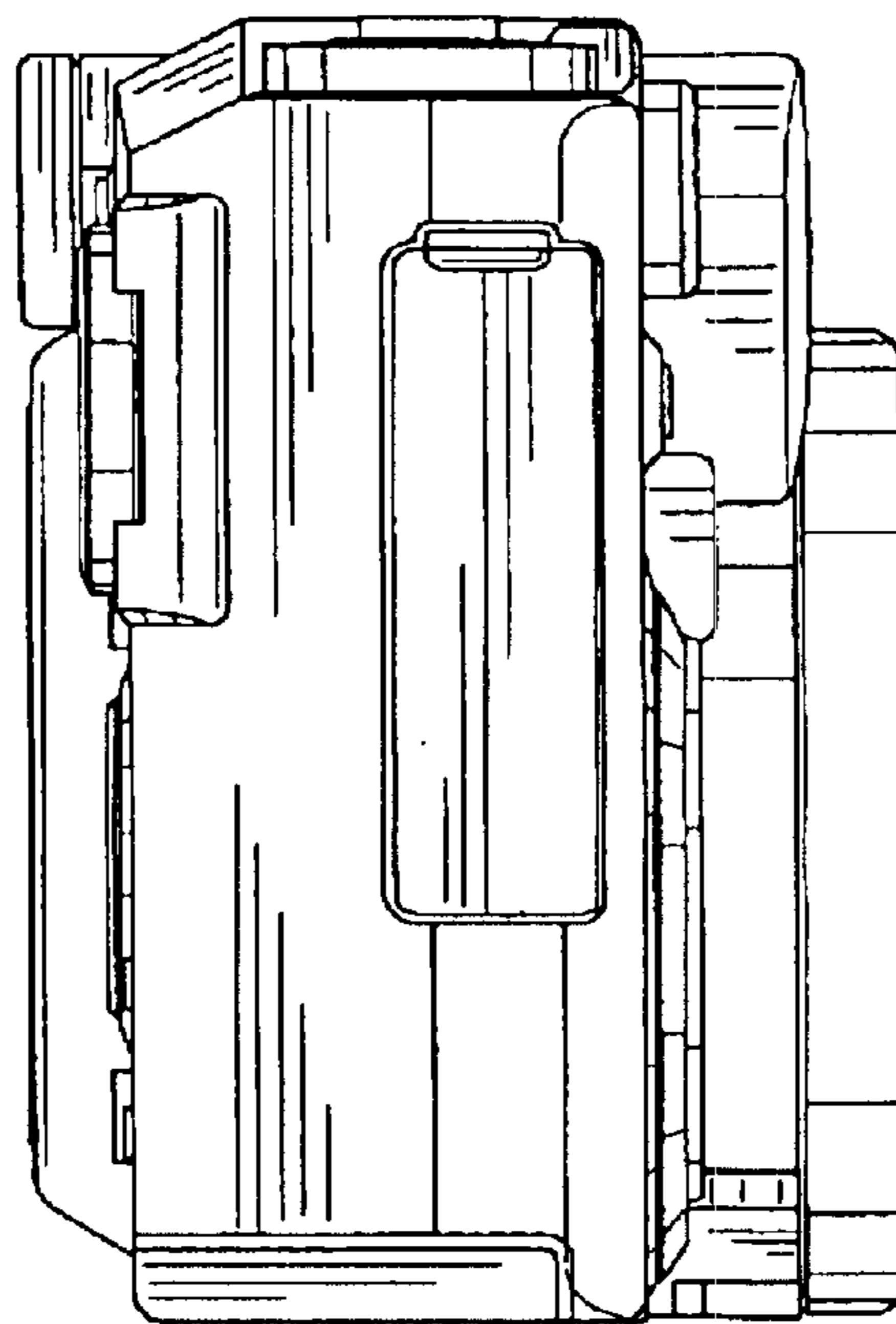


FIG. 4

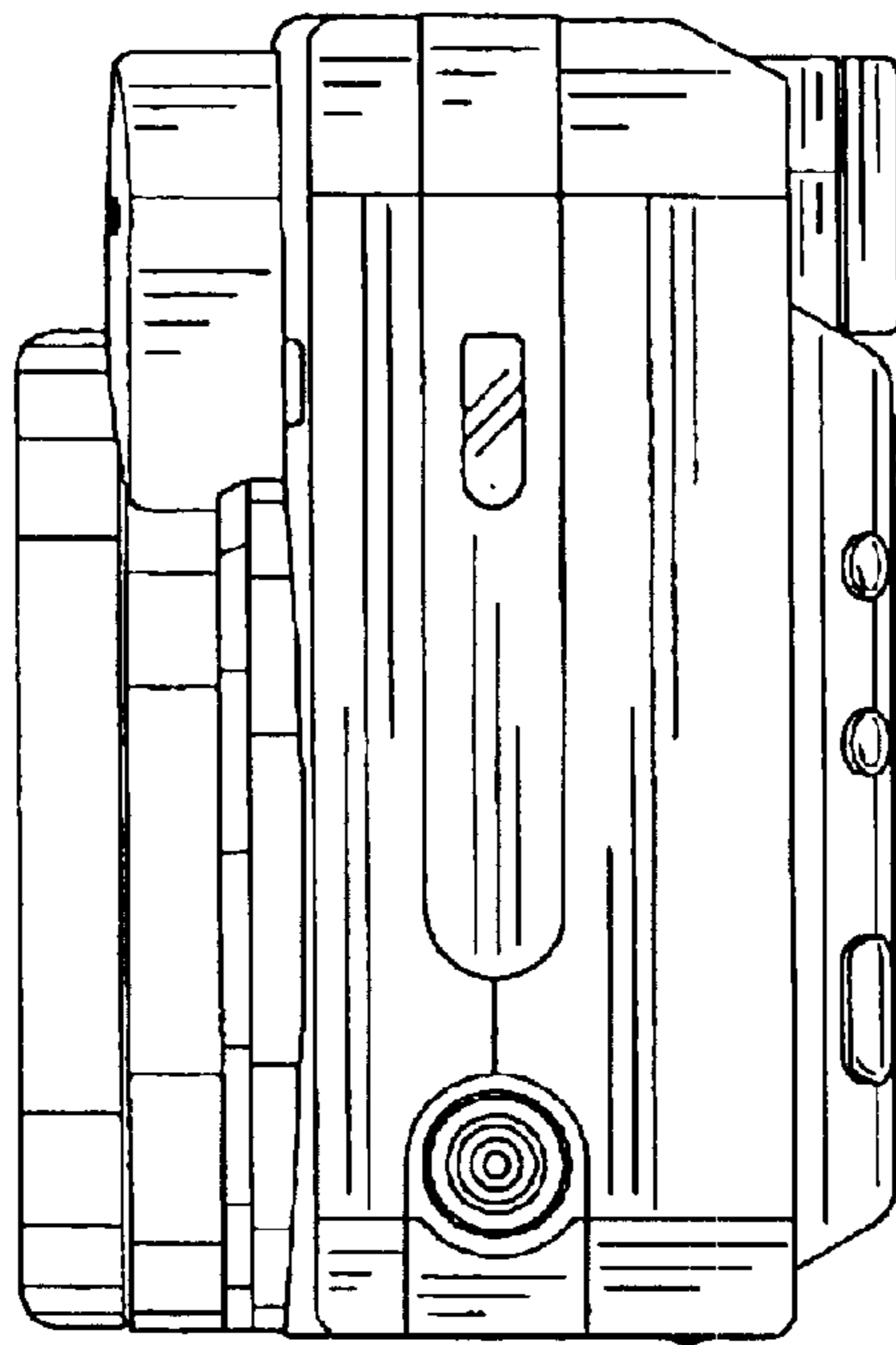


FIG. 5

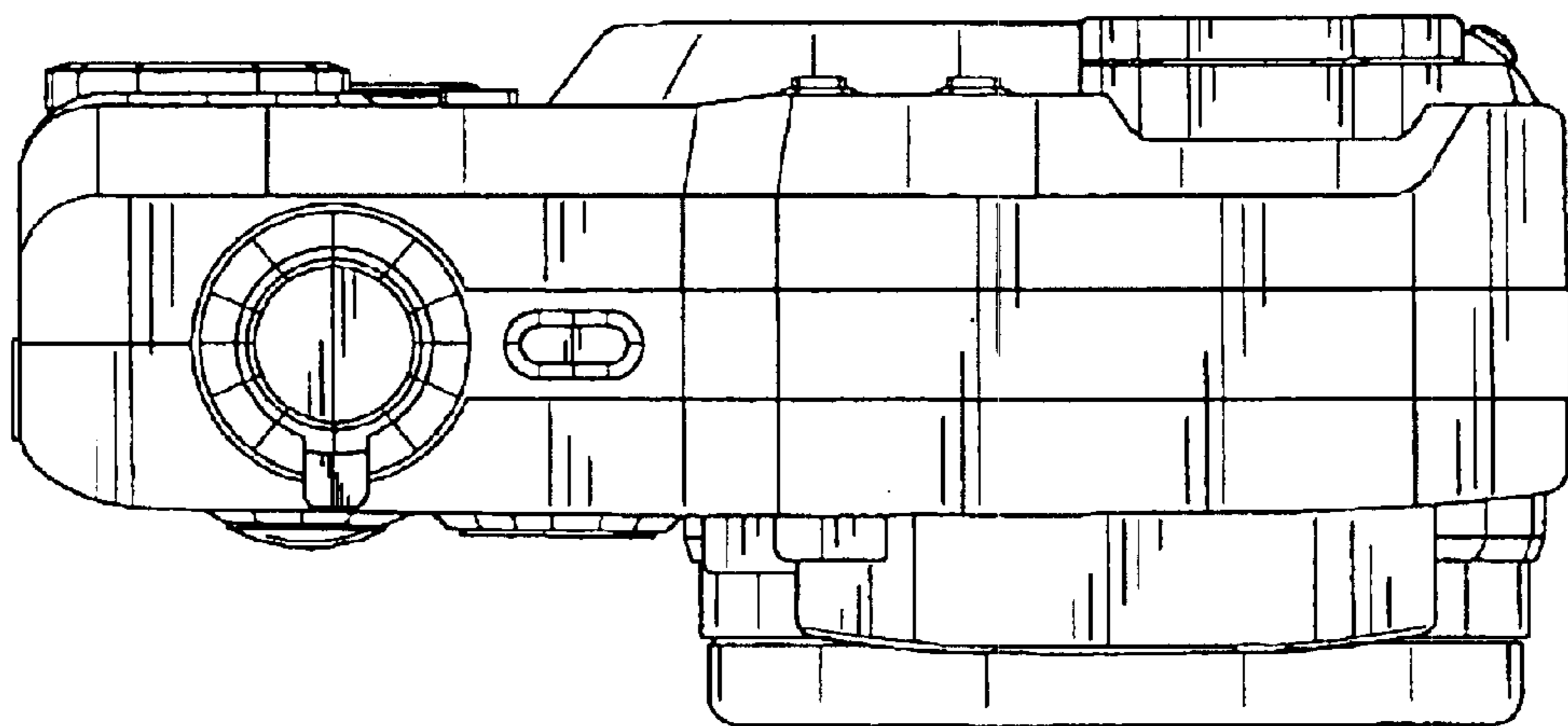


FIG. 6

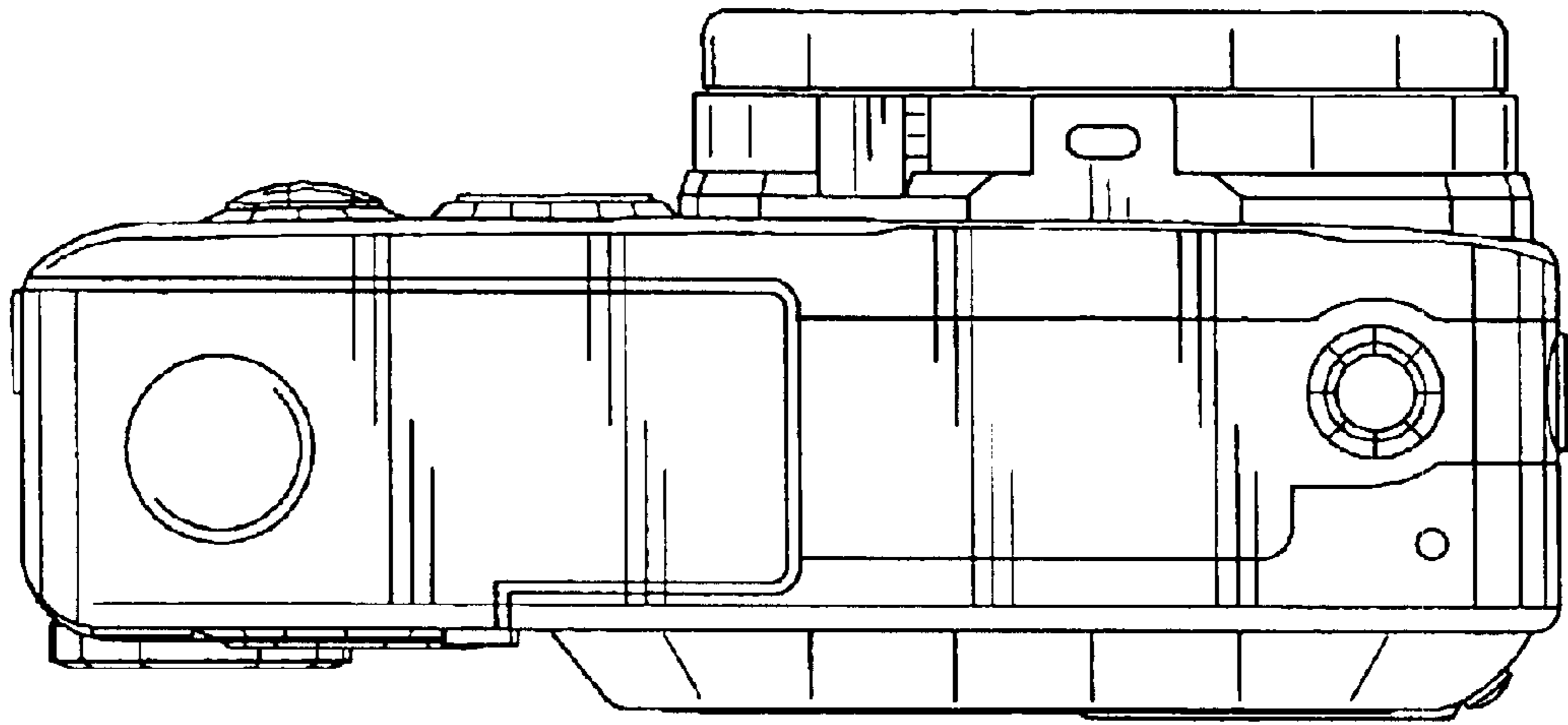


FIG. 7

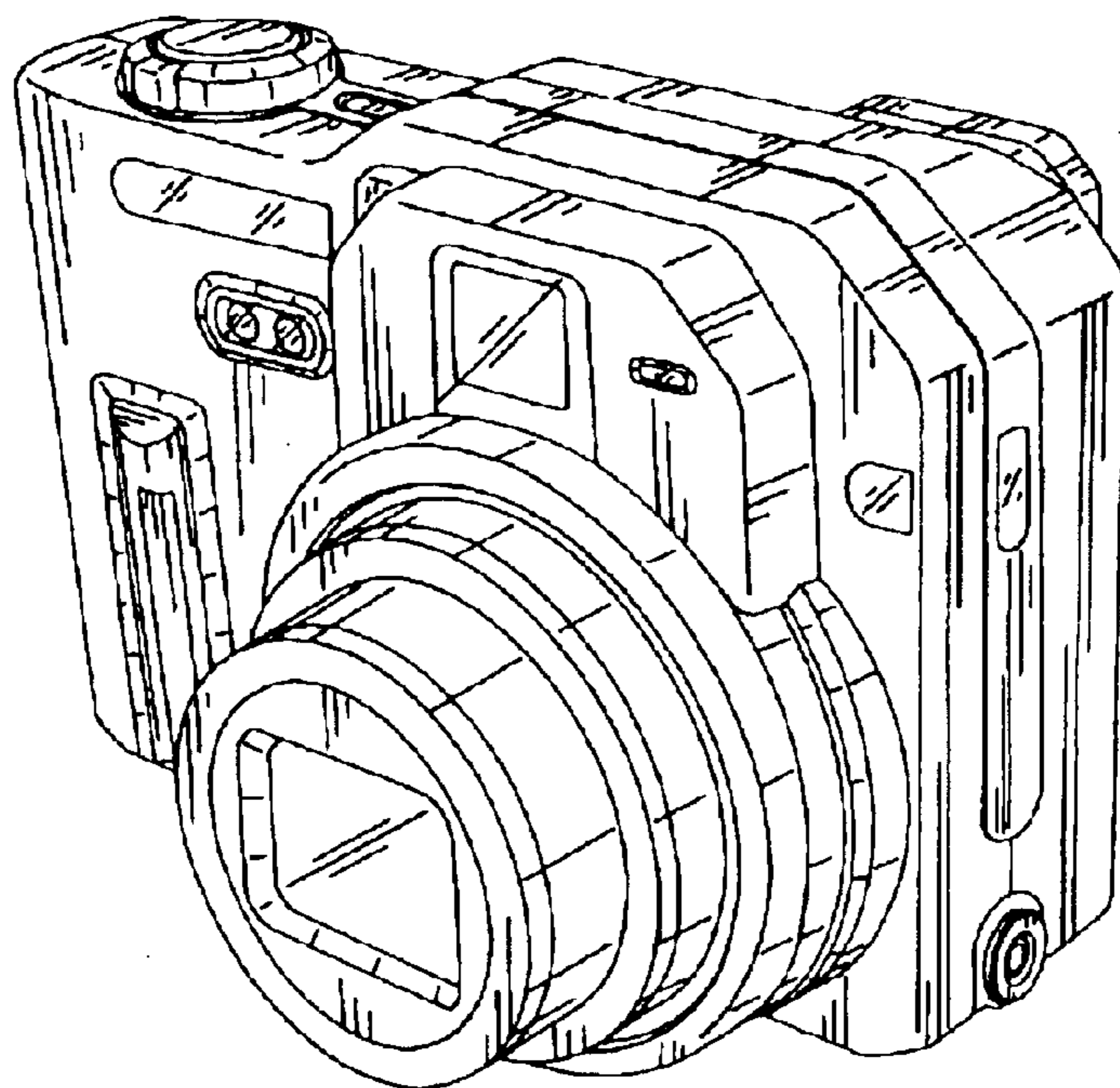


FIG. 8