

US00D496058S1

(12) **United States Design Patent**
Sargent et al.

(10) **Patent No.: US D496,058 S**

(45) **Date of Patent: ** Sep. 14, 2004**

(54) **MECHANICAL UNIT SUPPORT**

(75) Inventors: **Nathan M. Sargent**, Coalville, UT (US); **Michael L. Calderwood**, Coalville, UT (US)

(73) Assignee: **Miro Industries, Inc.**, Sandy, UT (US)

(**) Term: **14 Years**

(21) Appl. No.: **29/177,197**

(22) Filed: **Mar. 4, 2003**

(51) **LOC (7) Cl.** **15-09**

(52) **U.S. Cl.** **D15/141; D23/354**

(58) **Field of Search** **D15/141; D23/354, D23/386, 499; 248/346.01, 188.1, 188.2, 678; 108/55.1; 62/290, 272, 288, 259.1**

(56) **References Cited**

U.S. PATENT DOCUMENTS

4,748,828 A 6/1988 Chang 62/290

4,916,918 A * 4/1990 Marelli 62/259.1
D308,247 S * 5/1990 Adam et al. D23/354
D319,695 S * 9/1991 Johnston, Jr. D23/354
D431,174 S 9/2000 Merideth D8/354

* cited by examiner

Primary Examiner—Antoine D. Davis

(74) *Attorney, Agent, or Firm*—Kirton & McConkie; Kenneth E. Horton

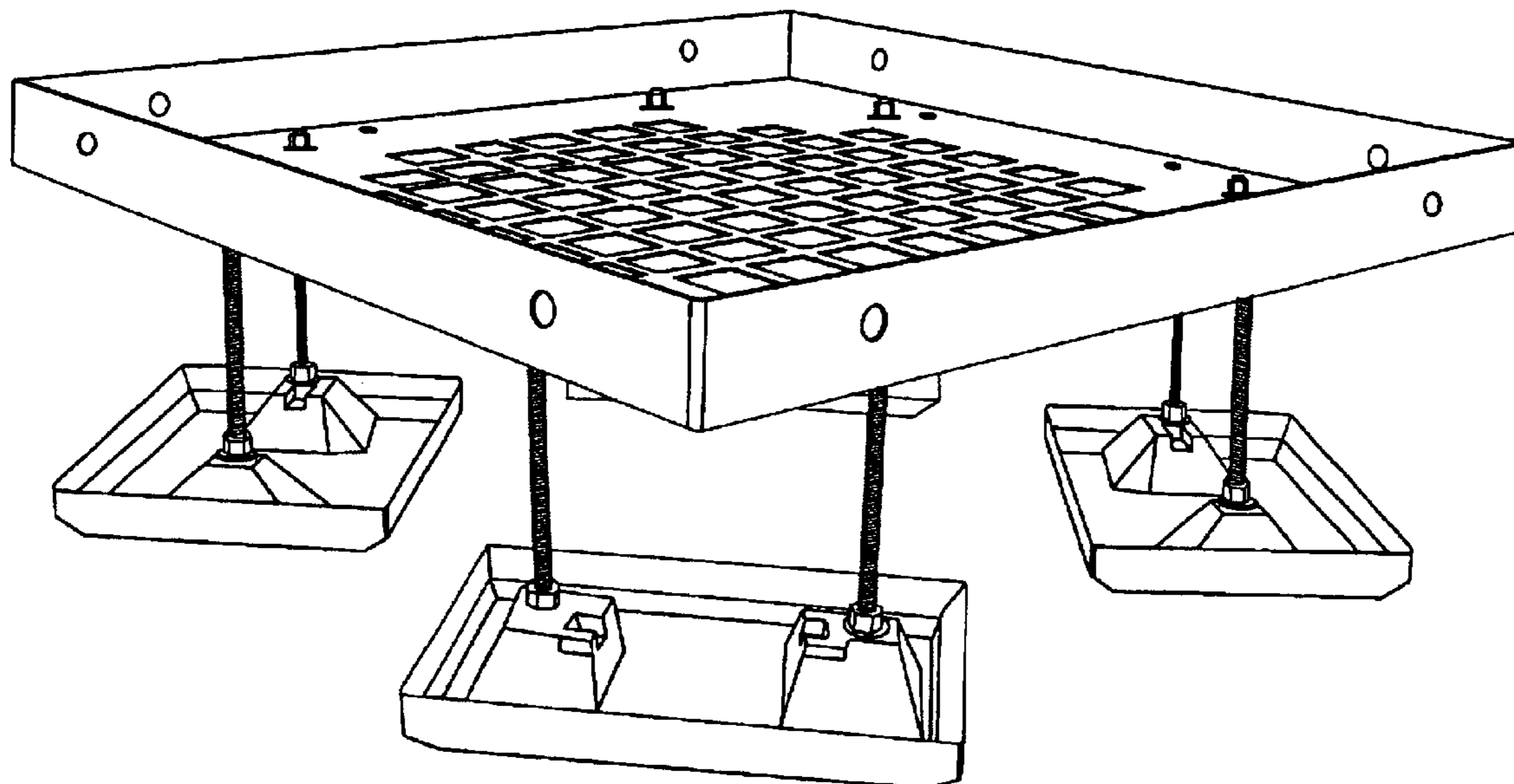
(57) **CLAIM**

The ornamental design for a mechanical unit support, as shown and described.

DESCRIPTION

FIG. 1 is an above or top view showing one aspect of our design, which aspect is also shown in FIGS. 2-4; FIG. 2 is an underneath or bottom view; FIG. 3 is a side view; and, FIG. 4 is an angled view.

1 Claim, 4 Drawing Sheets



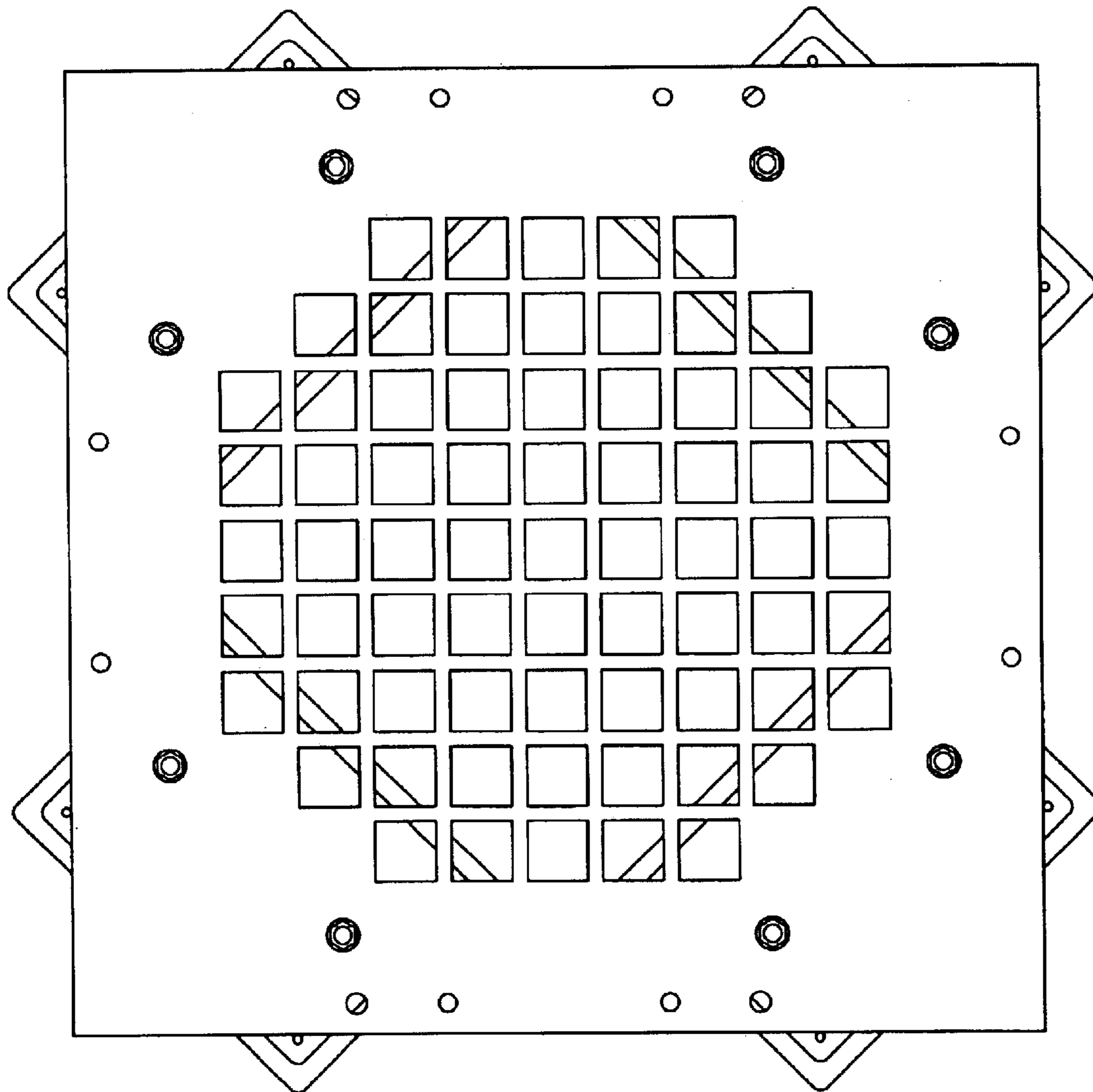


Fig. 1

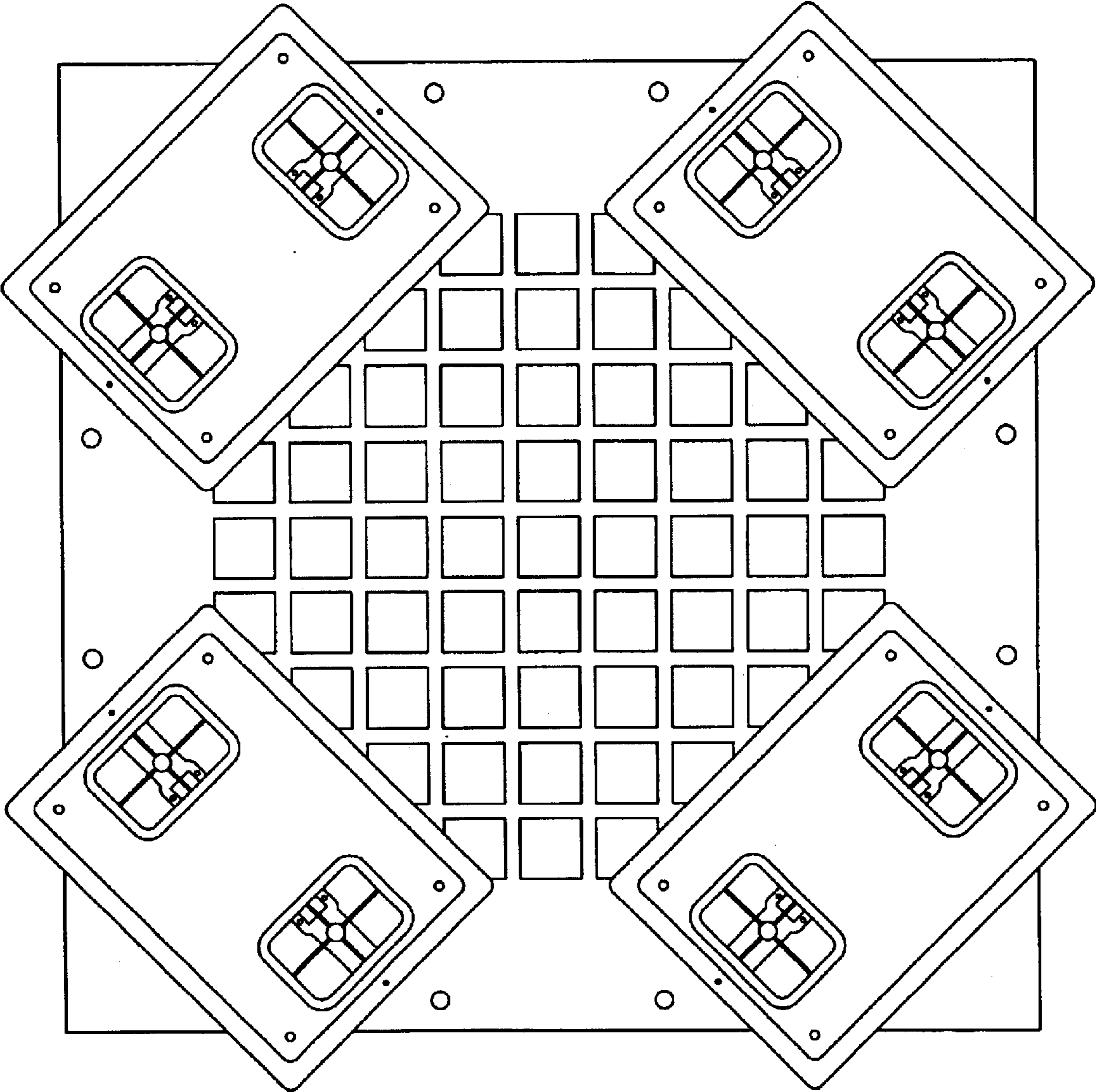


Fig. 2

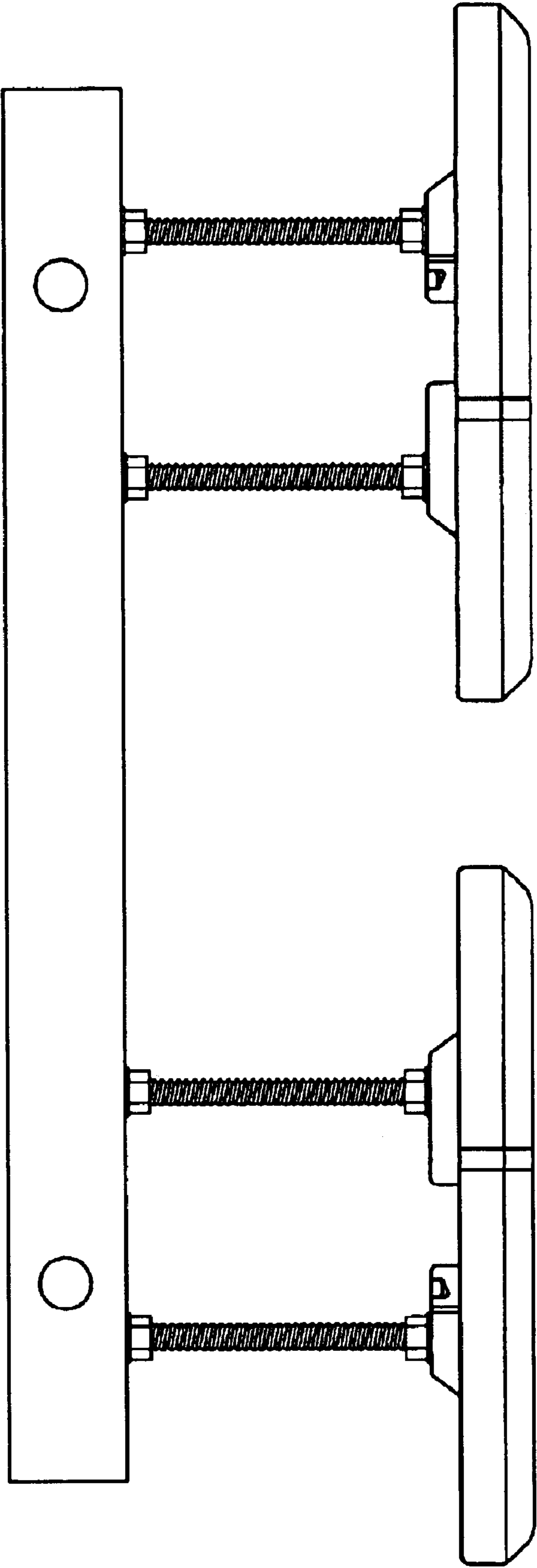


Fig. 3

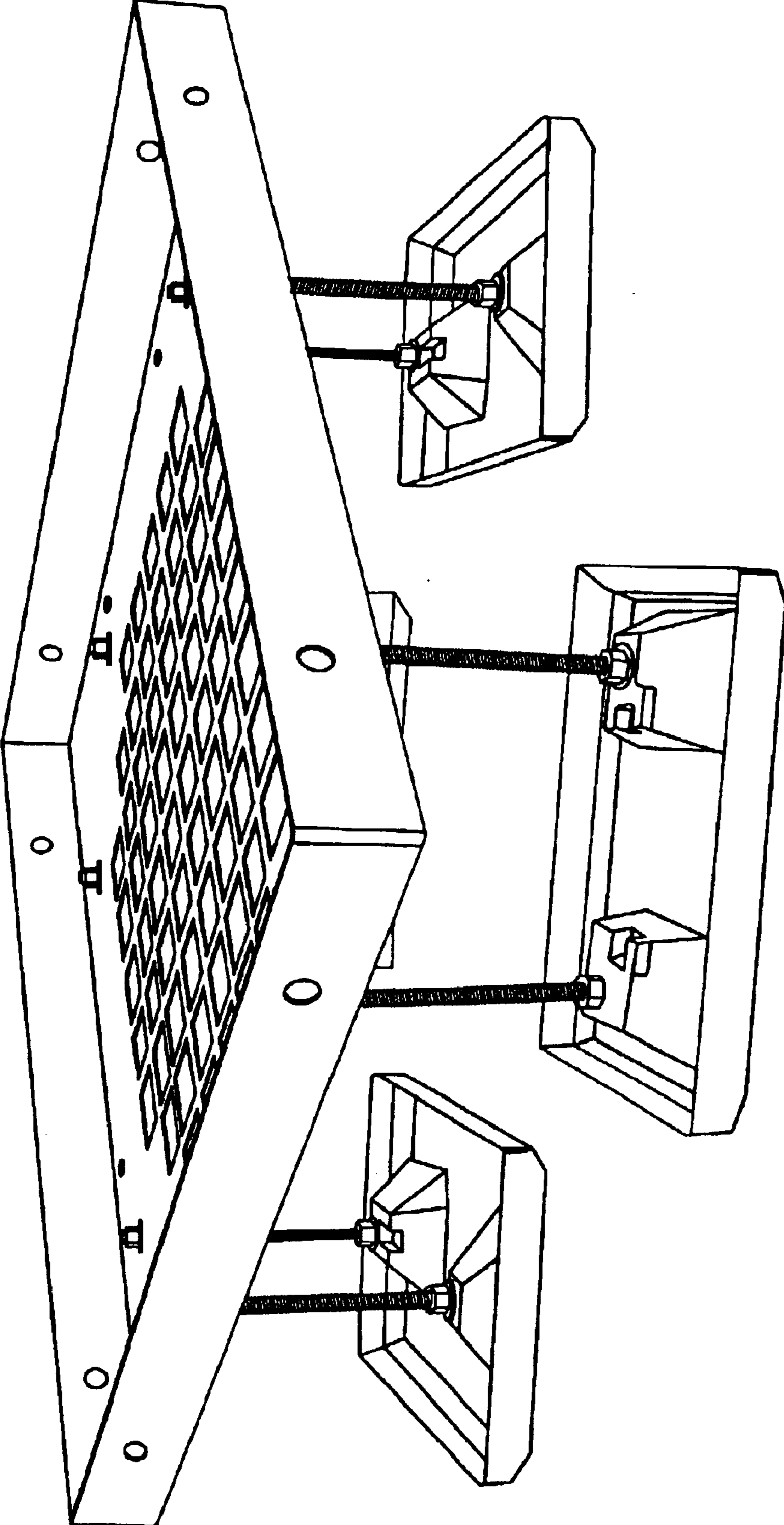


Fig. 4