

US00D496053S1

(12) **United States Design Patent**  
**Wetzel**

(10) **Patent No.:** **US D496,053 S**  
(45) **Date of Patent:** **\*\* Sep. 14, 2004**

(54) **HIGH-PROFILE REFRIGERATED FLORAL MERCHANDISER UNIT**

4,608,776 A \* 9/1986 Kooy ..... 47/58.1 R  
D305,287 S \* 1/1990 Thompson ..... D6/472  
D392,295 S \* 3/1998 Johnson ..... D15/81  
D427,210 S \* 6/2000 Tsukida ..... D15/83

(75) Inventor: **Michael L. Wetzel**, Skaneateles, NY  
(US)

\* cited by examiner

(73) Assignee: **Florotech, Division of Air Innovations, Inc.**, North Syracuse, NY  
(US)

*Primary Examiner*—Mitchell Siegel  
(74) *Attorney, Agent, or Firm*—Bernhard P. Molldrem, Jr.

(\*\*) Term: **14 Years**

(57) **CLAIM**

(21) Appl. No.: **29/189,833**

The ornamental design for a high-profile refrigerated floral merchandiser unit, as shown and described.

(22) Filed: **Sep. 12, 2003**

**DESCRIPTION**

(51) **LOC (7) Cl.** ..... **15-07**

FIG. 1 is a perspective view of a refrigerated floral merchandiser unit showing my new design. The shelves are shown in ghost and do not form a part of this design.

(52) **U.S. Cl.** ..... **D15/79; D6/471**

FIG. 2 is a top plan view thereof.

(58) **Field of Search** ..... D15/79-88; D6/470-475;

FIG. 3 is a front elevational view thereof; and,

312/114, 116, 140.1, 117, 119, 138.1, 139.2,  
236; 62/444, 448, 457.1, 251

FIG. 4 is a left side elevation thereof, the right side elevation being a mirror image.

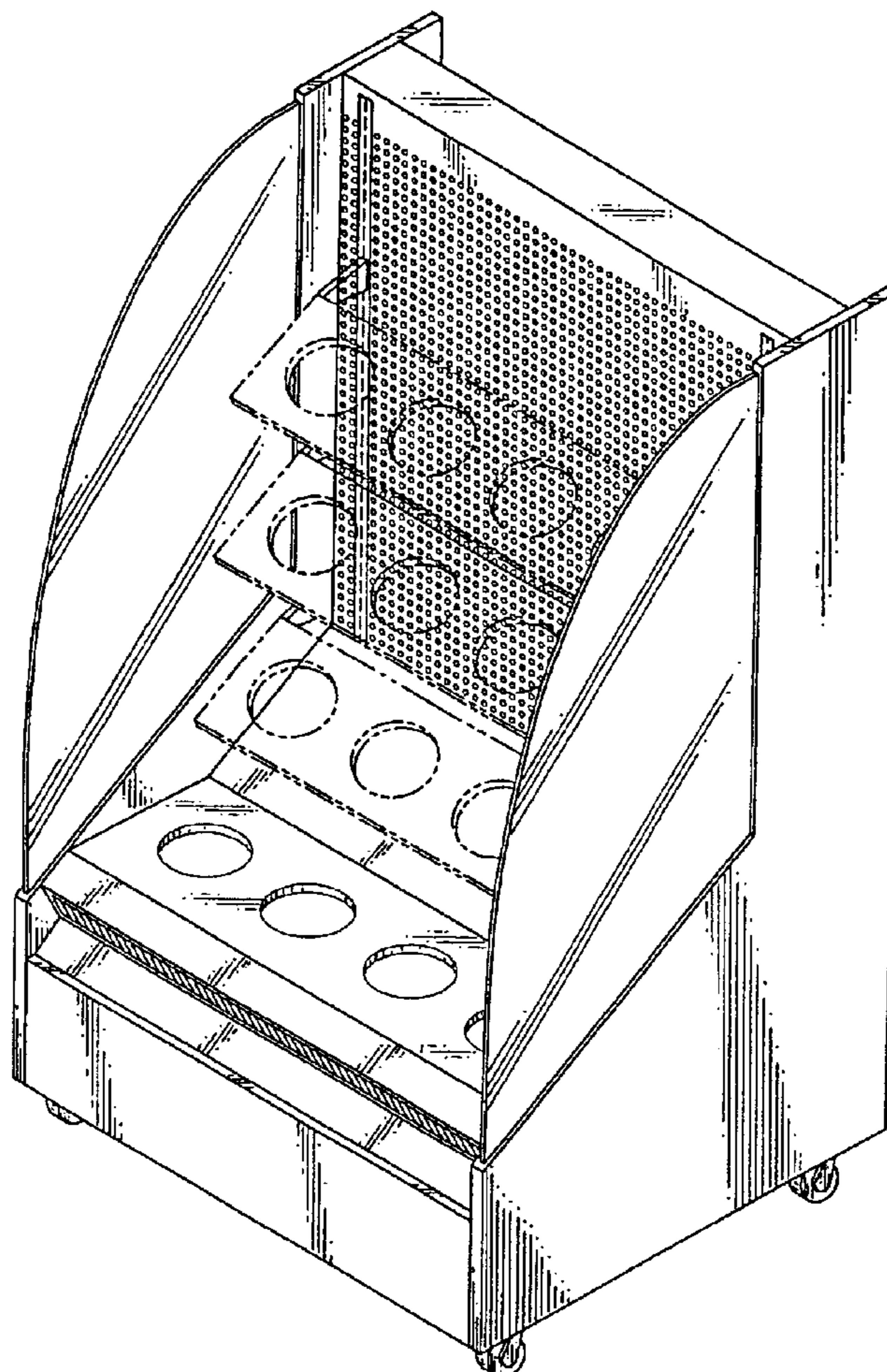
The rear side and the bottom of the refrigerated floral display unit do not form a part of the design.

(56) **References Cited**

**U.S. PATENT DOCUMENTS**

D147,719 S \* 10/1947 Carpenter ..... D6/472  
D209,722 S \* 12/1967 Mangini ..... D6/471

**1 Claim, 3 Drawing Sheets**



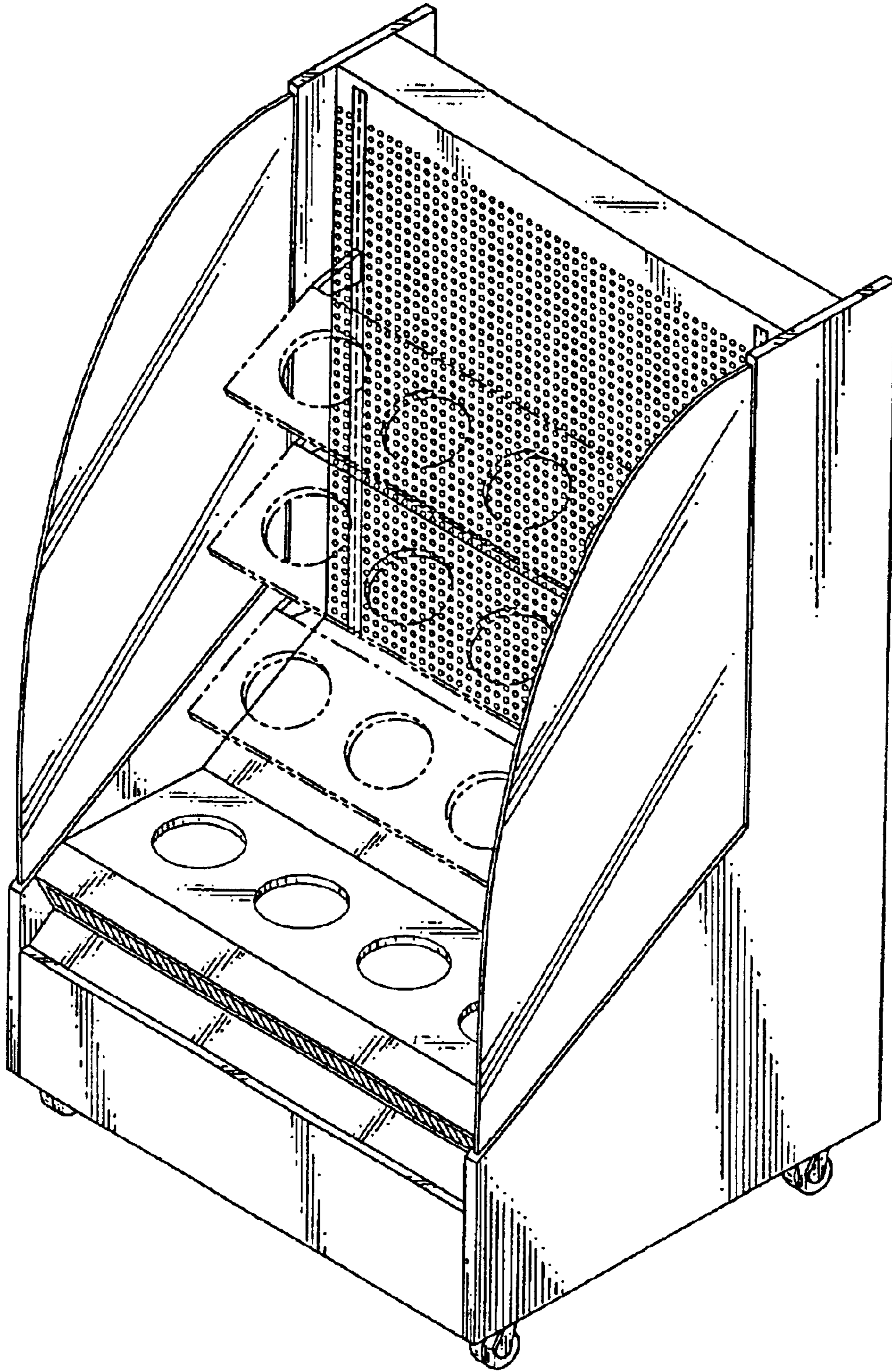


FIG. 1

FIG.2

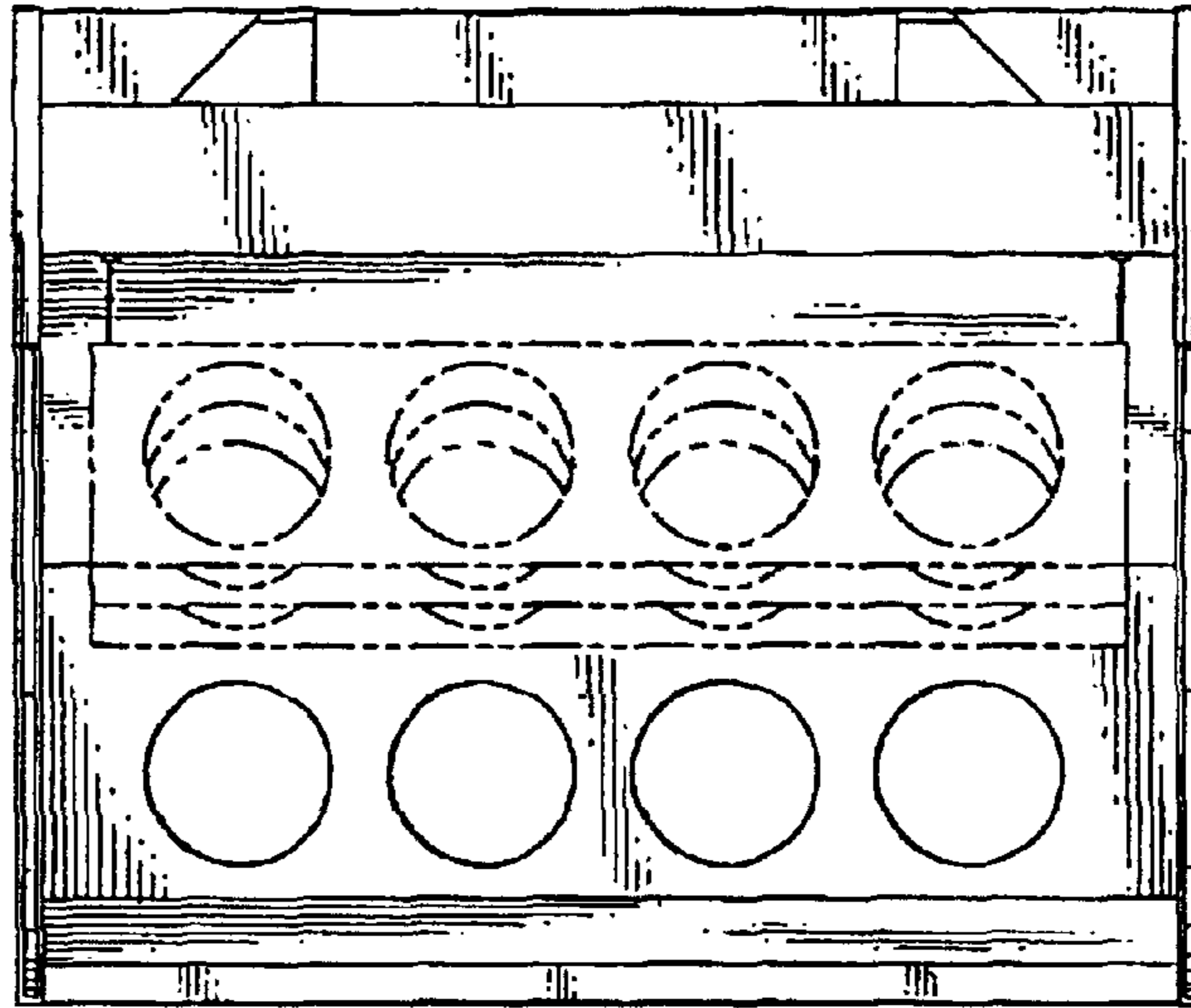
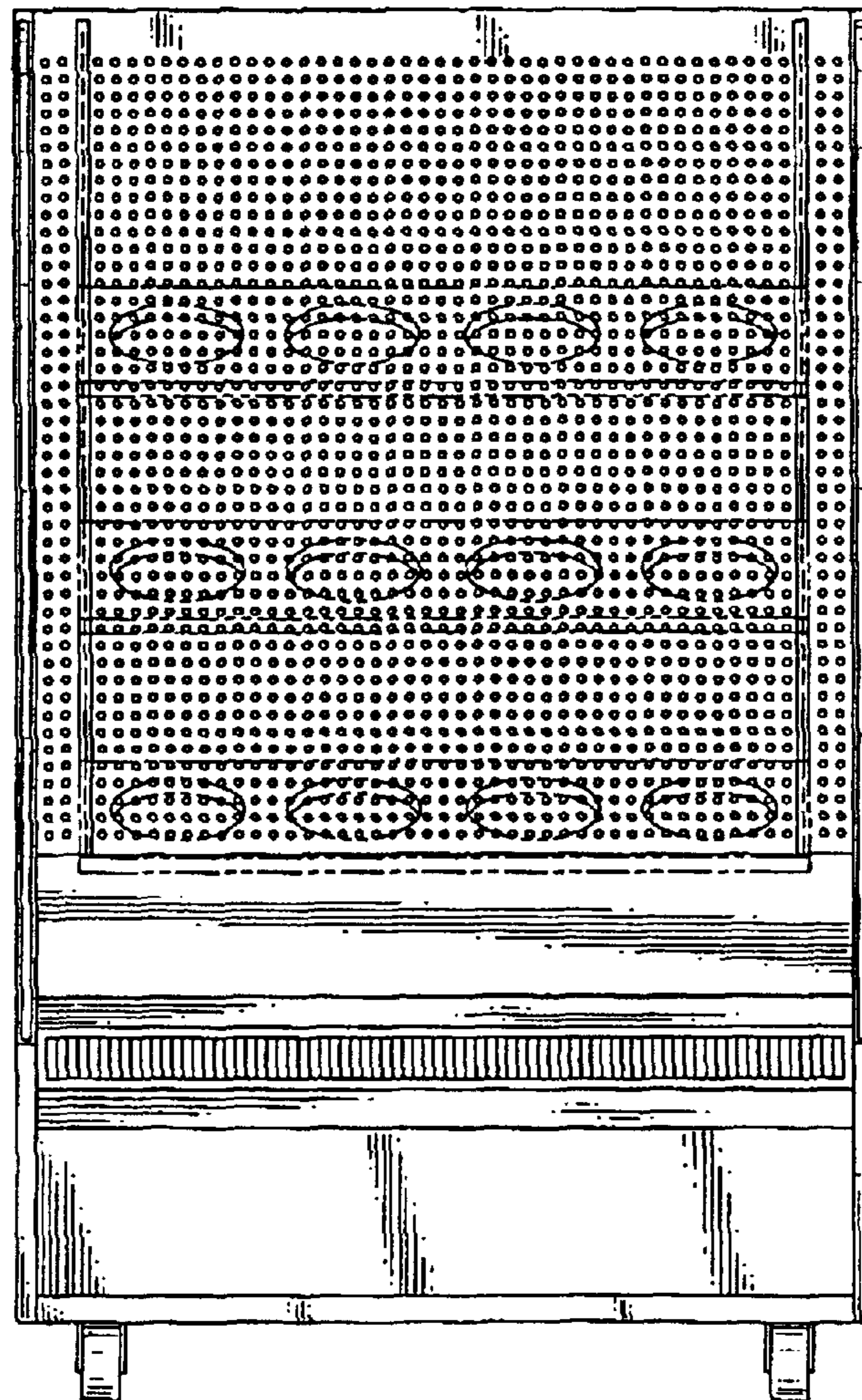


FIG.3



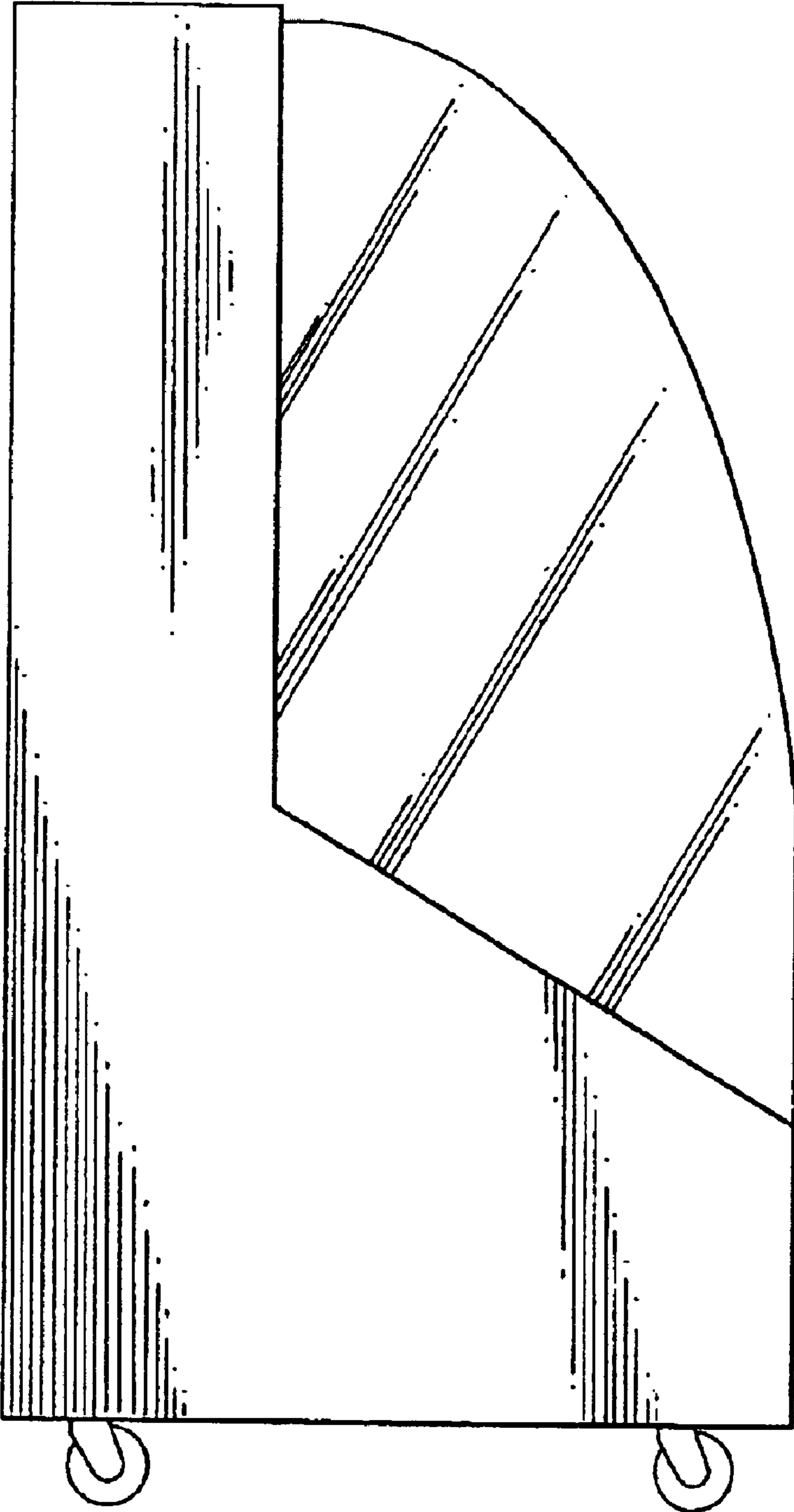


FIG. 4



US00D496053C1

(12) **EX PARTE REEXAMINATION CERTIFICATE** (9105th)  
**United States Patent**  
**Wetzel**

(10) **Number:** **US D496,053 C1**  
(45) **Certificate Issued:** **Jun. 26, 2012**

(54) **HIGH-PROFILE REFRIGERATED FLORAL MERCHANDISER UNIT**

(75) **Inventor:** **Michael L. Wetzel**, Skaneateles, NY (US)

(73) **Assignee:** **Floritech Division of Air Innovations, Inc.**, North Syracuse, NY (US)

(51) **LOC (9) Cl.** ..... 15-07

(52) **U.S. Cl.** ..... D15/79

(58) **Field of Classification Search** ..... D15/79, D15/81; D6/449, 457, 459, 460, 461, 466-479; 312/114, 116, 117, 140.1, 236; 62/246, 251, 62/458

See application file for complete search history.

**Reexamination Request:**

No. 90/011,705, May 23, 2011

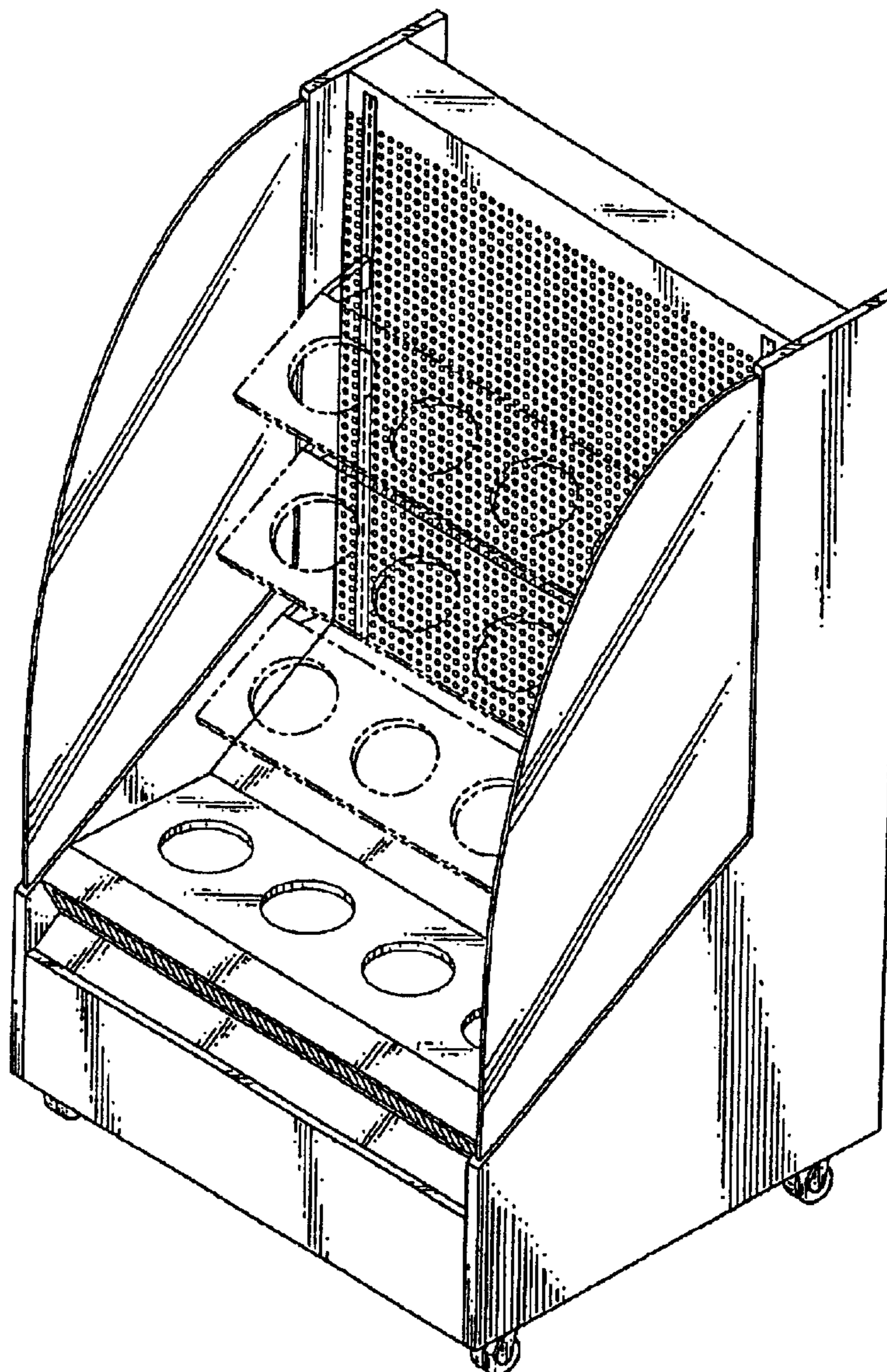
**Reexamination Certificate for:**

Patent No.: **Des. 496,053**  
Issued: **Sep. 14, 2004**  
Appl. No.: **29/189,833**  
Filed: **Sep. 12, 2003**

(56) **References Cited**

To view the complete listing of prior art documents cited during the proceeding for Reexamination Control Number 90/011,705, please refer to the USPTO's public Patent Application Information Retrieval (PAIR) system under the Display References tab.

*Primary Examiner*—Sandra Snapp



**EX PARTE  
REEXAMINATION CERTIFICATE  
ISSUED UNDER 35 U.S.C. 307**

NO AMENDMENTS HAVE BEEN MADE TO  
THIS PATENT

AS A RESULT OF REEXAMINATION, IT HAS BEEN  
DETERMINED THAT:

The patentability of the sole claim is confirmed.

\* \* \* \* \*