

US00D496052S1

(12) **United States Design Patent**  
**Braime et al.**

(10) **Patent No.:** **US D496,052 S**

(45) **Date of Patent:** **\*\* Sep. 14, 2004**

(54) **STACKABLE ELEVATOR BUCKET**

(75) **Inventors:** **Oliver Nicholas Anderson Braime,**  
Tadcaster (GB); **James Mawson,** Otley  
(GB)

(73) **Assignee:** **4B Elevator Components, Ltd.,** East  
Peoria, IL (US)

(\*\*) **Term:** **14 Years**

(21) **Appl. No.:** **29/196,048**

(22) **Filed:** **Dec. 22, 2003**

(51) **LOC (7) Cl.** ..... **15-03**

(52) **U.S. Cl.** ..... **D15/32**

(58) **Field of Search** ..... D15/10, 22-26,  
D15/28, 32; 37/103, 117.5, 118, 119; 198/701,  
703, 706; 414/685; 222/162, 174, 614,  
624; 239/681-689

(56) **References Cited**

**U.S. PATENT DOCUMENTS**

D20,906 S \* 6/1891 Stuebner ..... D15/32

D336,091 S \* 6/1993 Kovalak et al. .... D15/32  
D338,893 S \* 8/1993 Simpson ..... D15/13  
D368,914 S \* 4/1996 Pink et al. .... D15/13  
D458,616 S \* 6/2002 Gruenwald ..... D15/32  
D469,786 S \* 2/2003 Miller et al. .... D15/24  
D476,341 S \* 6/2003 Booten et al. .... D15/17

\* cited by examiner

*Primary Examiner*—Mitchell Siegel

(74) *Attorney, Agent, or Firm*—Kajane McManus

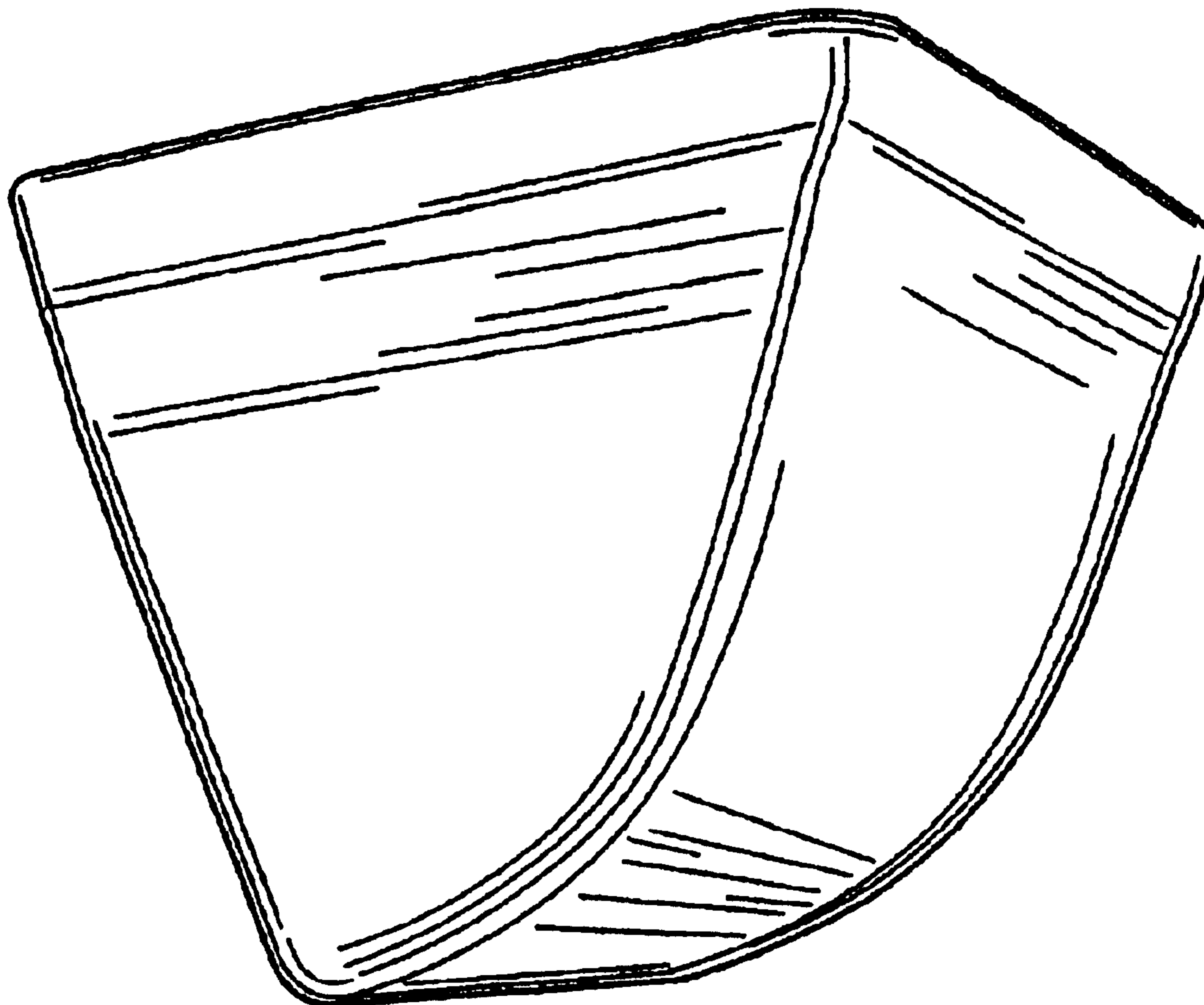
(57) **CLAIM**

The design for a stackable elevator bucket, substantially as shown and described.

**DESCRIPTION**

FIG. 1 is a perspective view  
FIG. 2 is a side view  
FIG. 3 is a side view  
FIG. 4 is a top view  
FIG. 5 is a bottom view  
FIG. 6 is a front view; and,  
FIG. 7 is a back view.

**1 Claim, 4 Drawing Sheets**



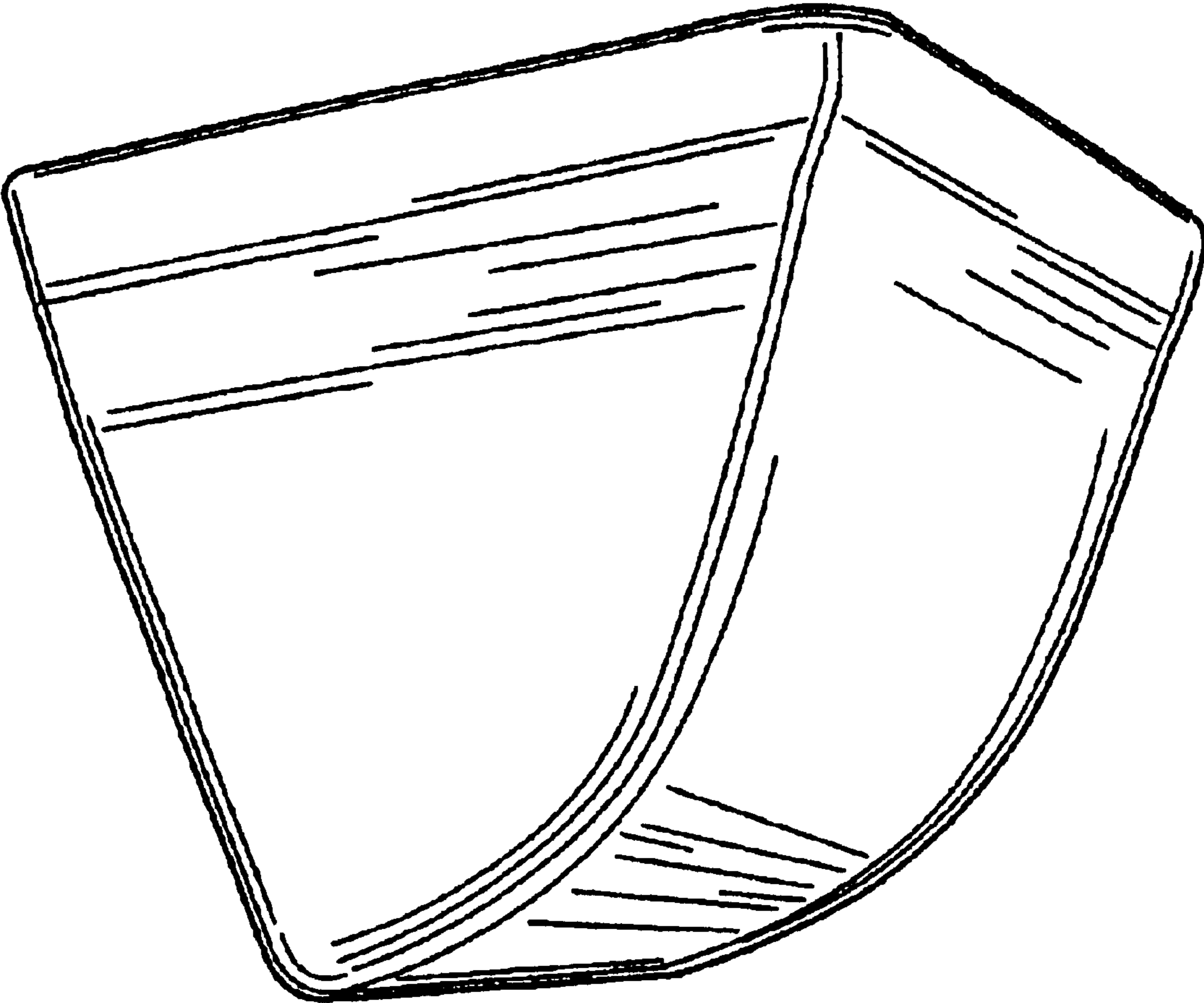
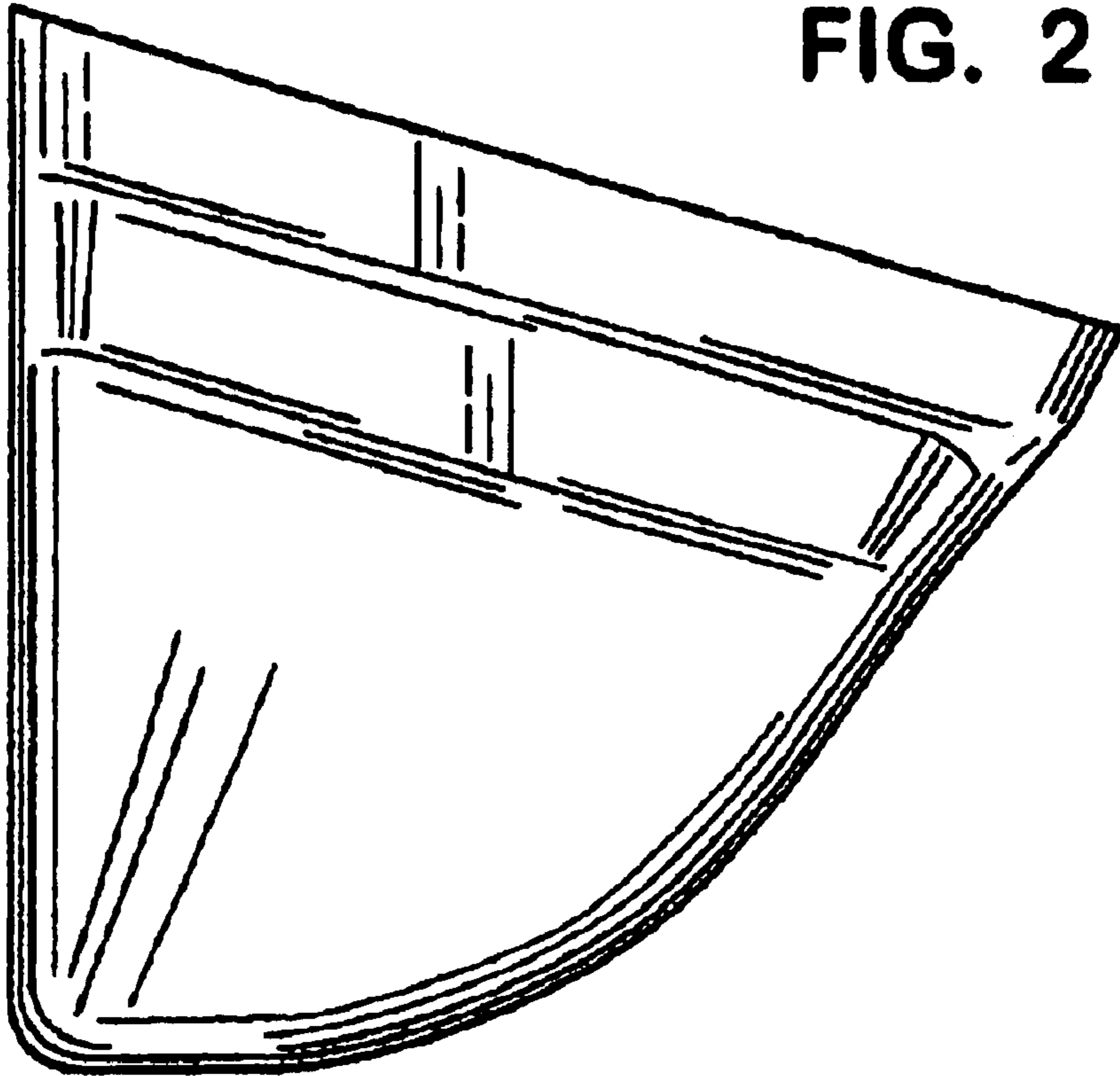
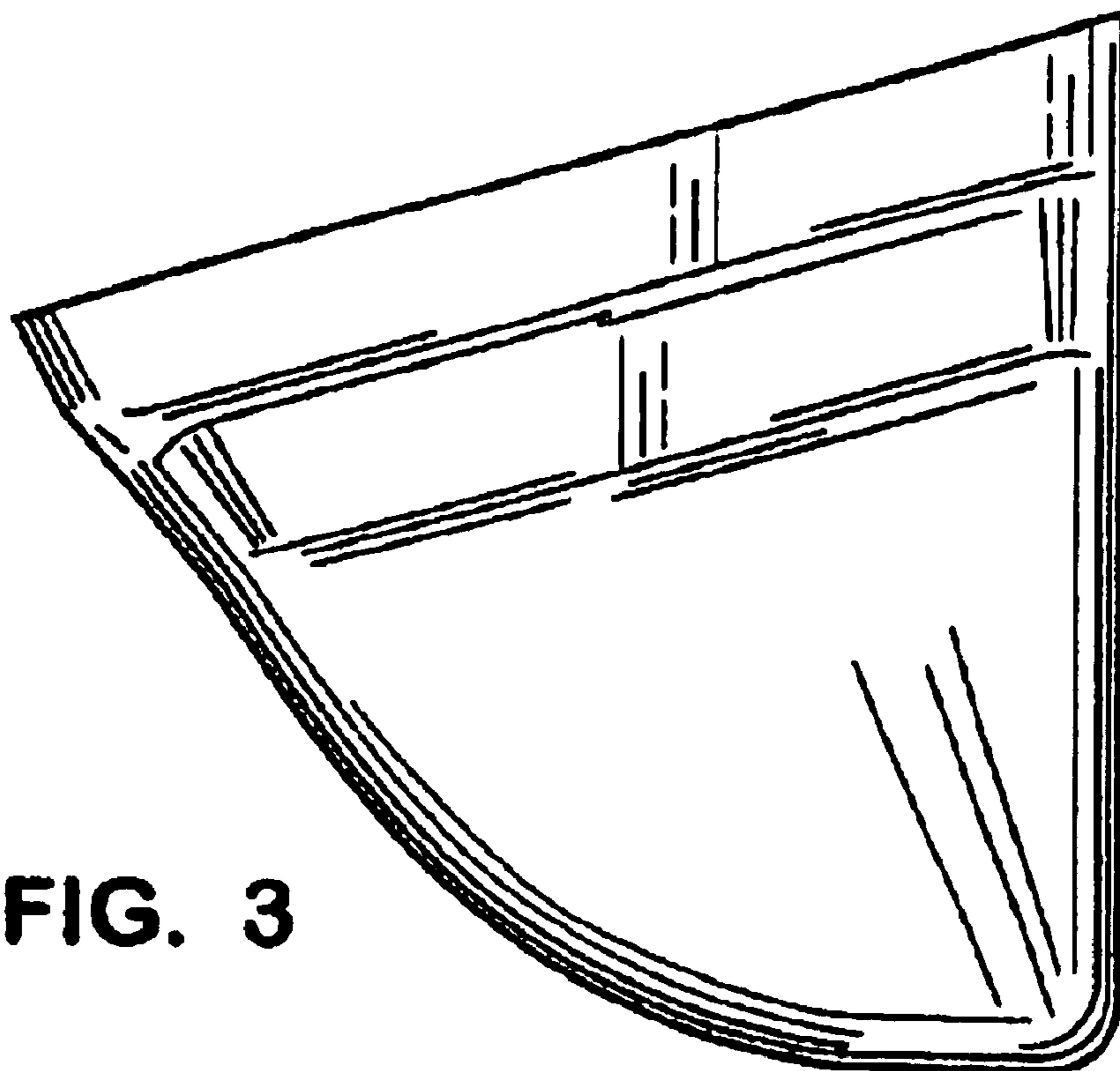


FIG. 1

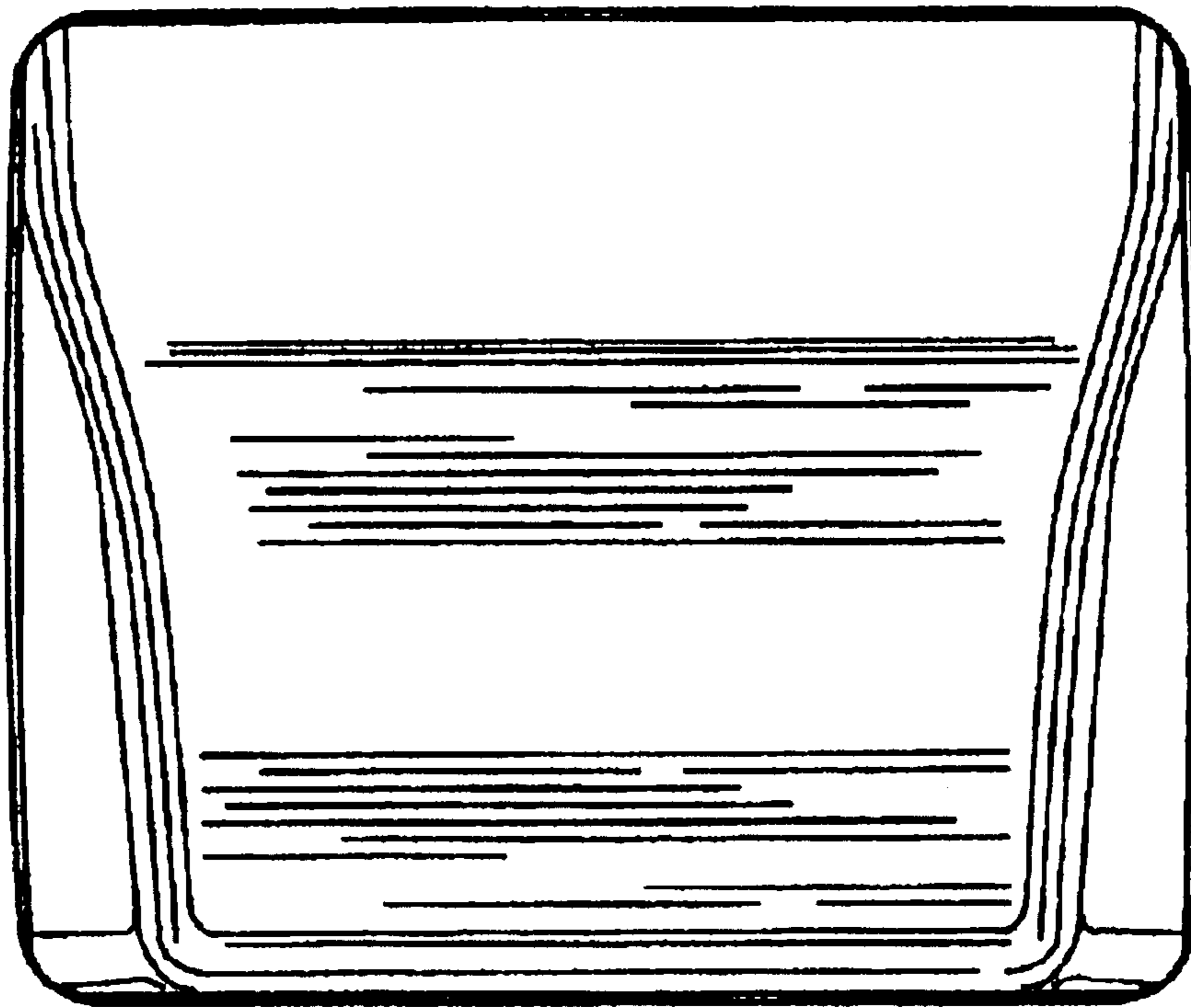
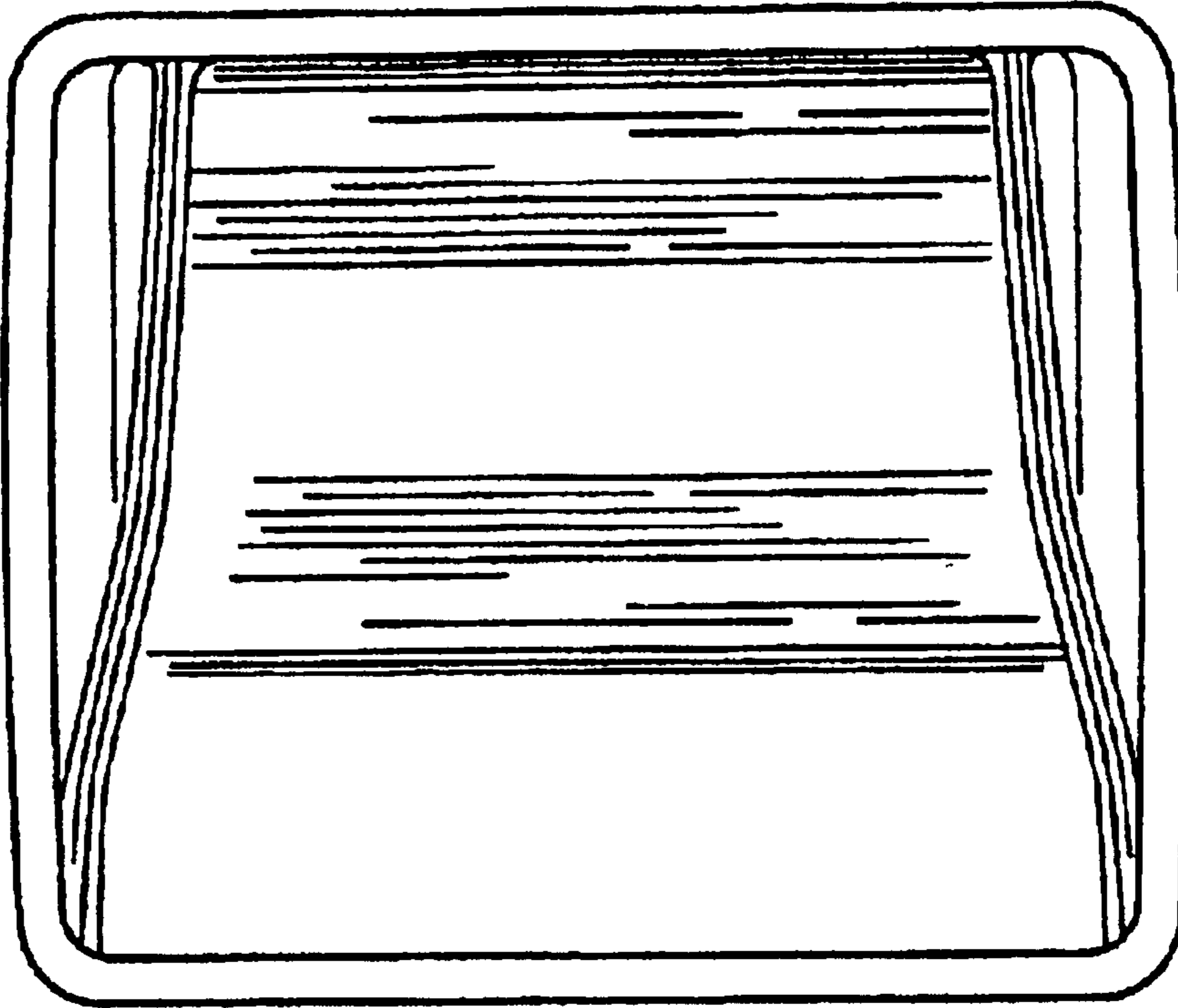
**FIG. 2**



**FIG. 3**

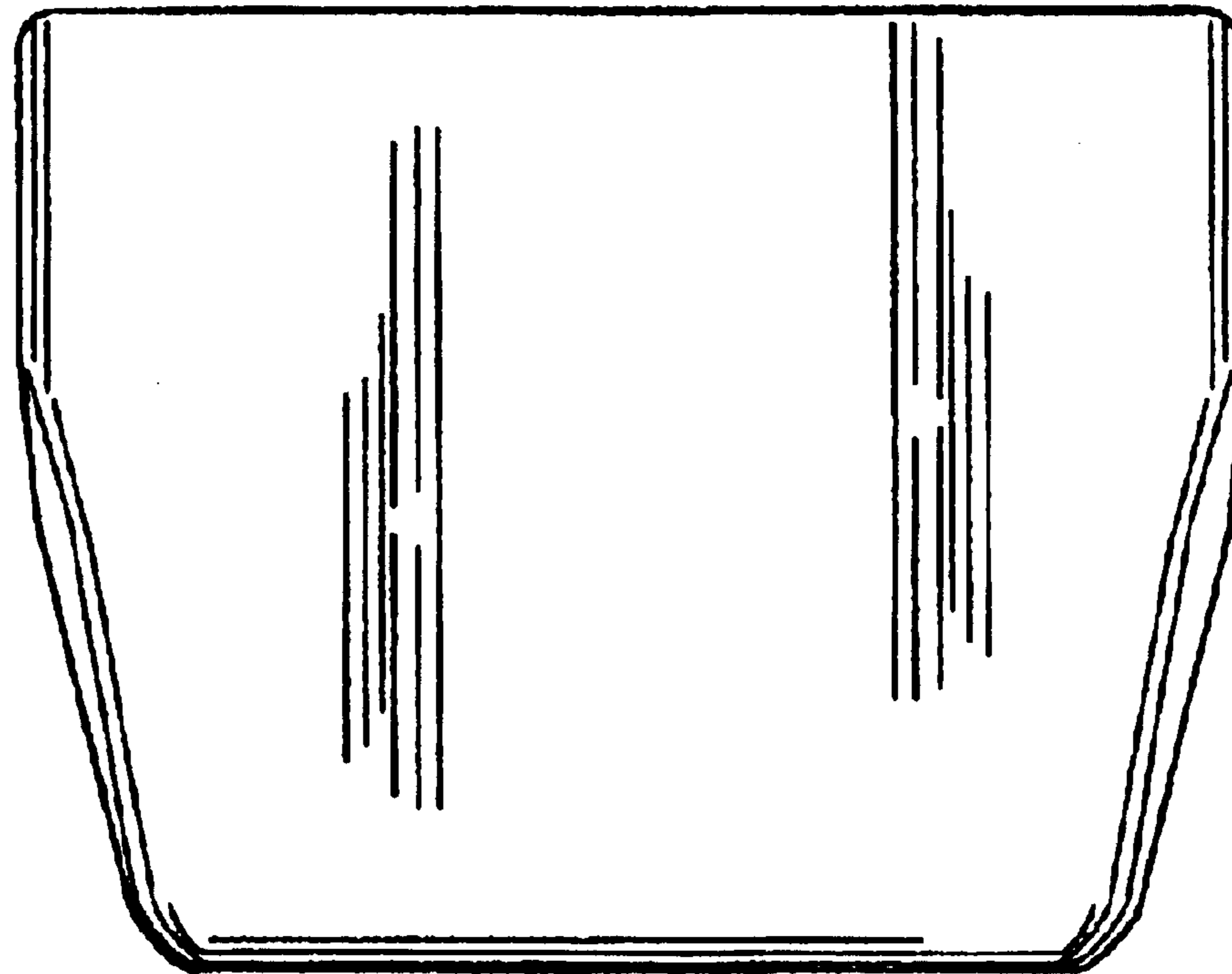
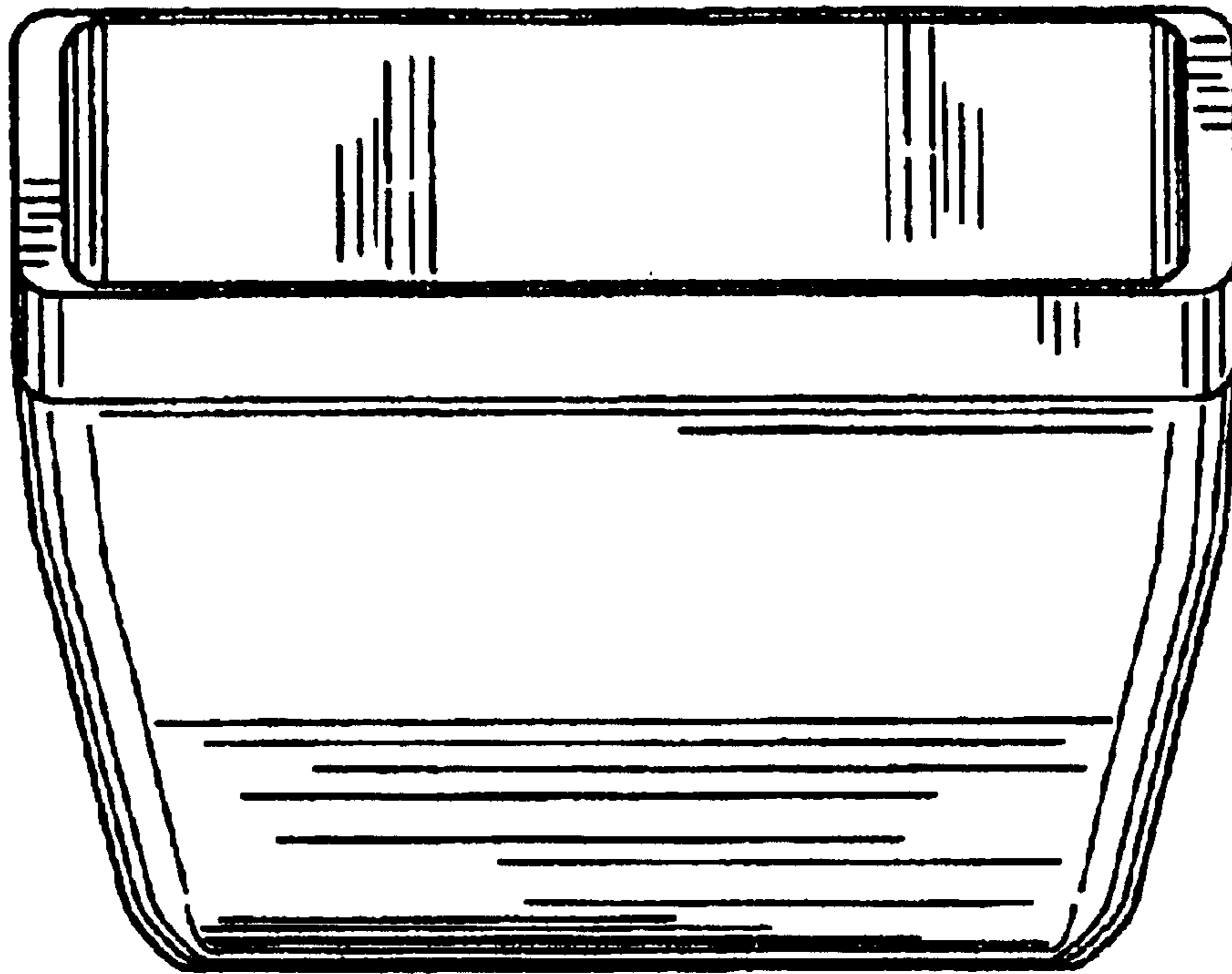


**FIG. 4**



**FIG. 5**

**FIG. 6**



**FIG. 7**