

US00D496051S1

(12) **United States Design Patent**
Yoshida

(10) **Patent No.:** **US D496,051 S**

(45) **Date of Patent:** **** Sep. 14, 2004**

(54) **RUBBER CRAWLER**

JP 1140693 5/2002

(75) Inventor: **Tomohisa Yoshida, Kobe (JP)**

* cited by examiner

(73) Assignee: **Sumitomo Rubber Industries, Ltd.,
Kobe (JP)**

Primary Examiner—Mitchell Siegel
(74) *Attorney, Agent, or Firm*—Birch, Stewart, Kolasch &
Birch, LLP

(**) Term: **14 Years**

(57) **CLAIM**

(21) Appl. No.: **29/189,315**

The ornamental design for a rubber crawler, as shown and described.

(22) Filed: **Sep. 2, 2003**

DESCRIPTION

(51) **LOC (7) Cl.** **15-03**

(52) **U.S. Cl.** **D15/28**

(58) **Field of Search** D15/22–26, 28;
305/35 EB, 44.2, 35 R, 39, 53, 56; 152/209 A,
209 WT, 523, 108.9

FIG. 1 is a front perspective view of a rubber crawler showing a first embodiment;
FIG. 2 is a front view thereof;
FIG. 3 is a rear view thereof;
FIG. 4 is a left side view thereof;
FIG. 5 is a right side view thereof;
FIG. 6 is a top view thereof;
FIG. 7 is a bottom view thereof;
FIG. 8 is a front perspective view of a rubber crawler showing a second embodiment;
FIG. 9 is a front view thereof;
FIG. 10 is a rear view thereof;
FIG. 11 is a left side view thereof;
FIG. 12 is a right side view thereof;
FIG. 13 is a top view thereof;
FIG. 14 is a bottom view thereof;
FIG. 15 is a front perspective view of a rubber crawler showing a third embodiment;
FIG. 16 is a front view thereof;
FIG. 17 is a rear view thereof;
FIG. 18 is a left side view thereof;
FIG. 19 is a right side view thereof;
FIG. 20 is a top view thereof; and,
FIG. 21 is a bottom view thereof.

(56) **References Cited**

U.S. PATENT DOCUMENTS

D260,899 S	*	9/1981	Joseph et al.	D15/28
4,425,007 A	*	1/1984	Soeteber	305/111
D342,526 S	*	12/1993	Chandler	D15/28
5,390,985 A	*	2/1995	Chandler	301/44.2
D365,826 S	*	1/1996	Chandler	D15/28
D365,827 S	*	1/1996	Chandler	D15/28
D454,890 S	*	3/2002	Tsuru	D15/28
D455,444 S	*	4/2002	Tsuru	D15/28
D474,205 S	*	5/2003	Feldmann	D15/28
D484,149 S	*	12/2003	Hannan et al.	D15/28
D484,515 S	*	12/2003	Nishimura	D15/28

FOREIGN PATENT DOCUMENTS

JP	872106	7/1993
JP	924355	5/1995
JP	1004881	3/1998
JP	1006328	3/1998
JP	1004881-1	3/1998
JP	1040523	6/1999

1 Claim, 12 Drawing Sheets

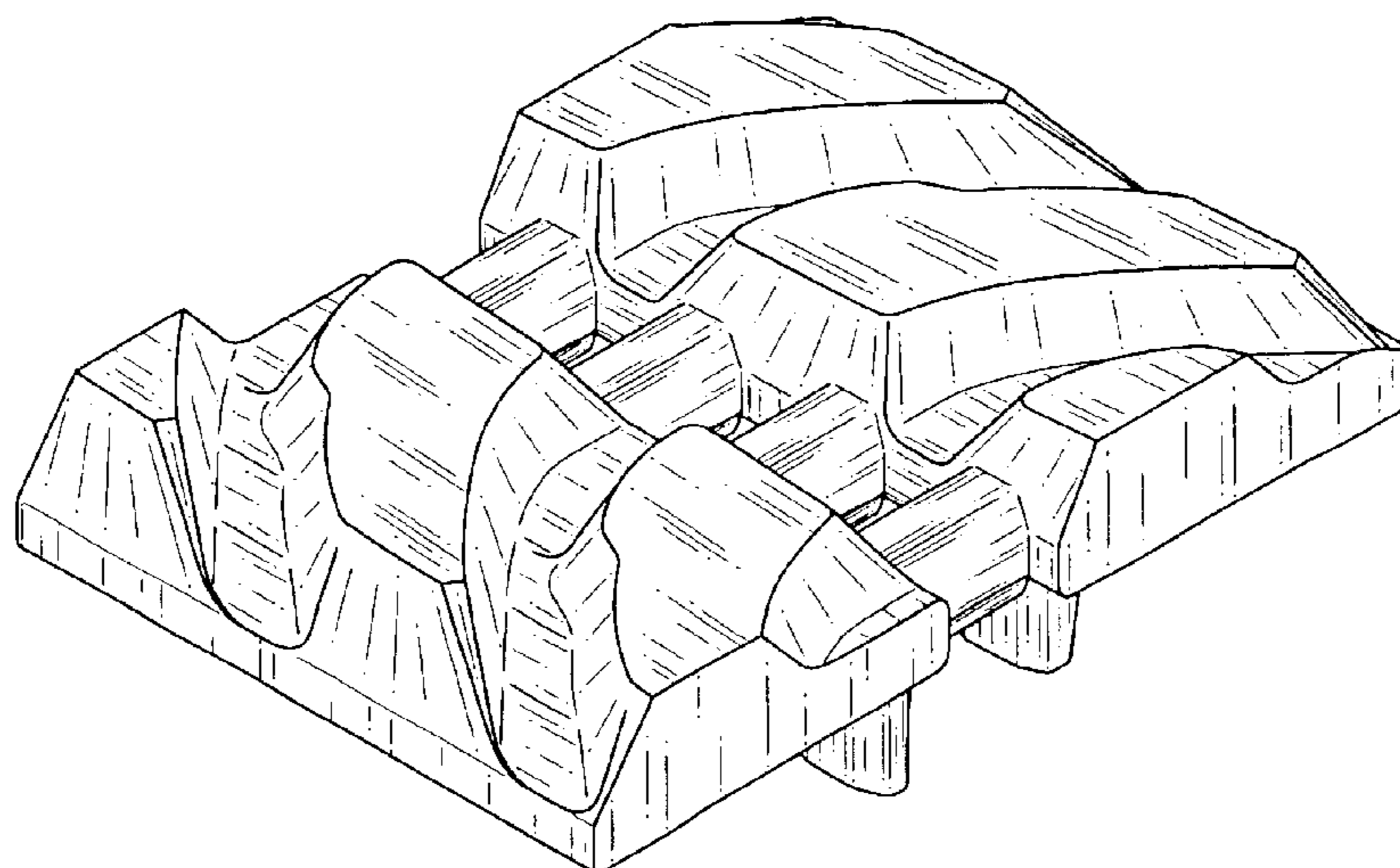


Fig. 1

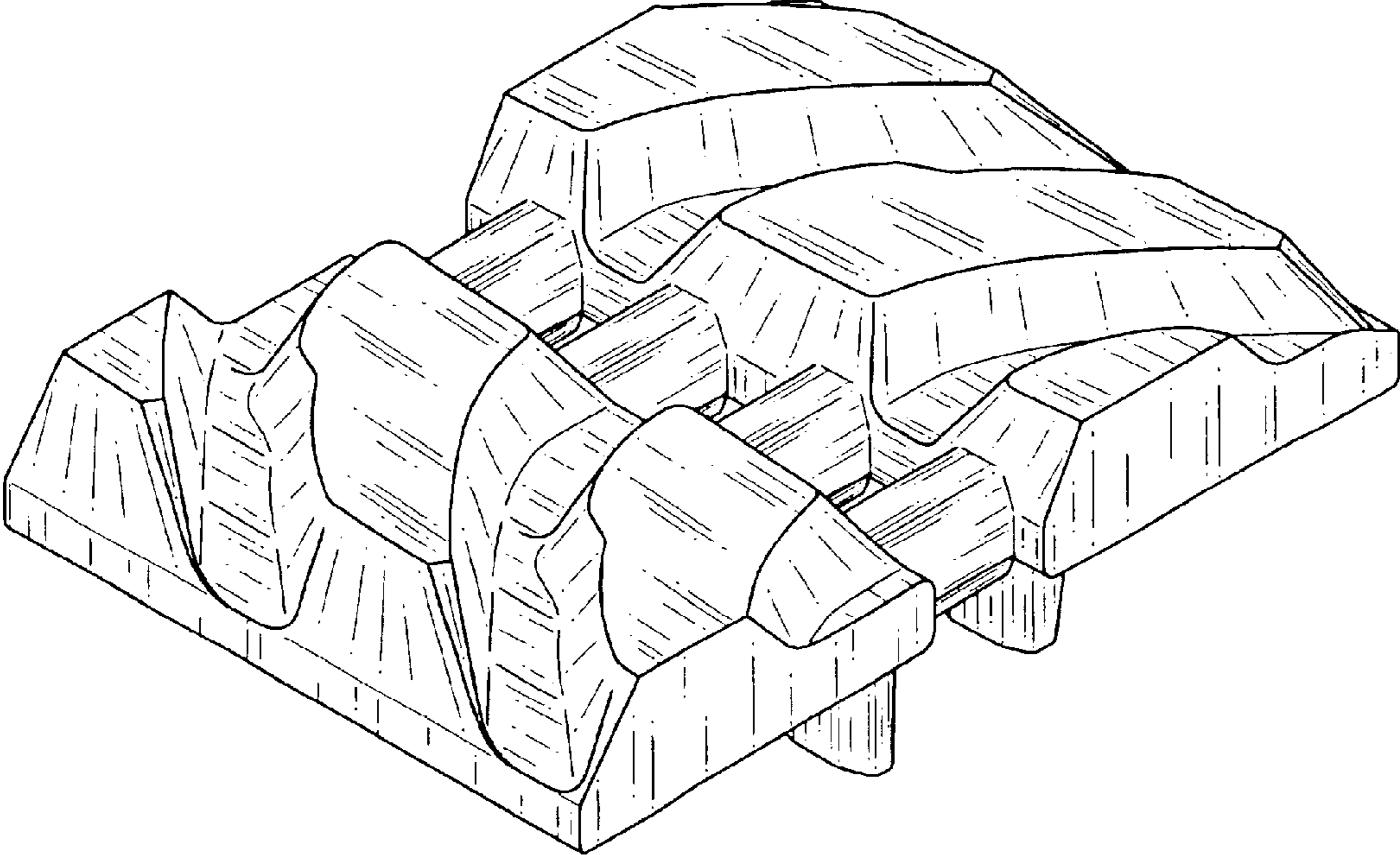


Fig. 2

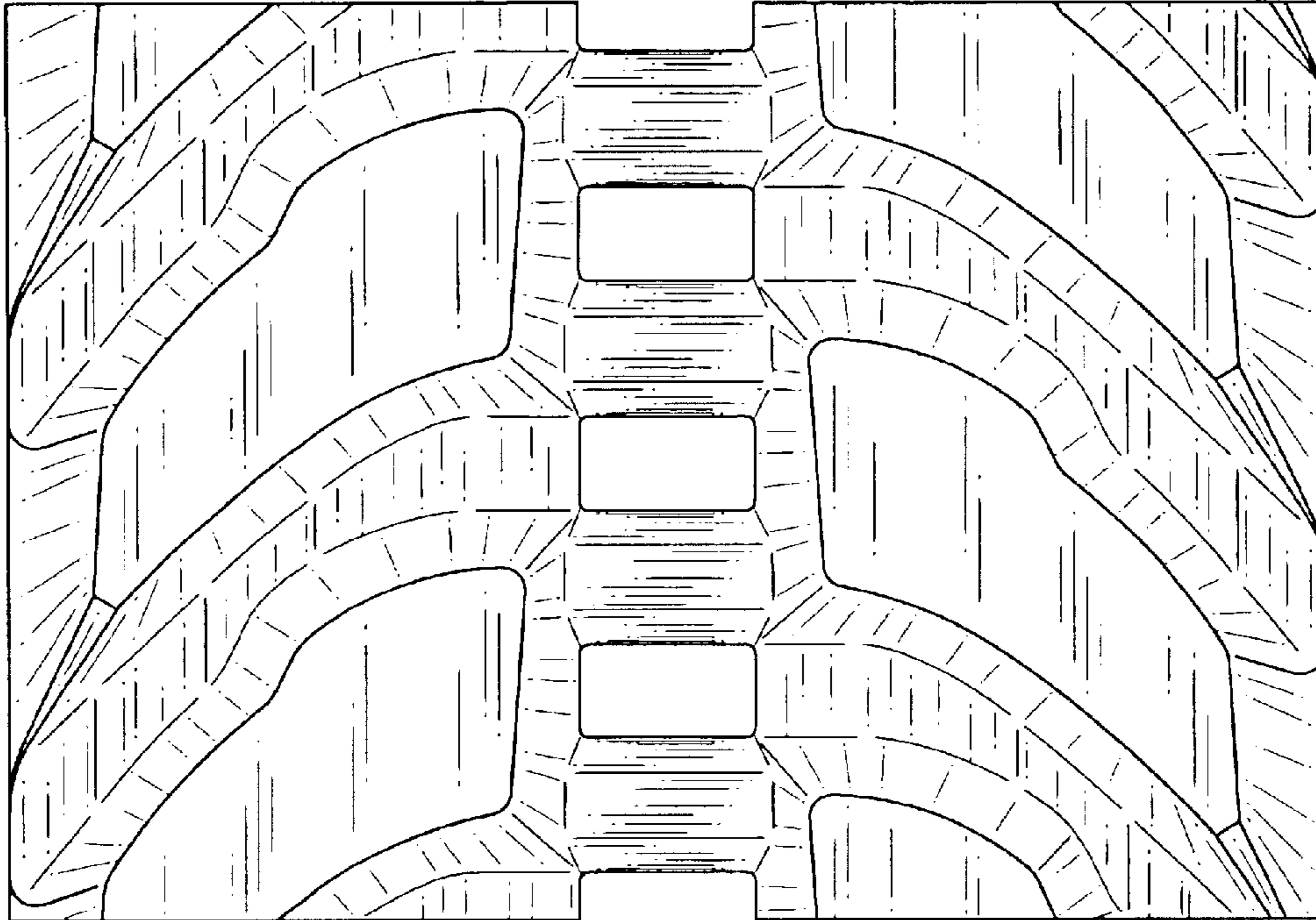


Fig. 3

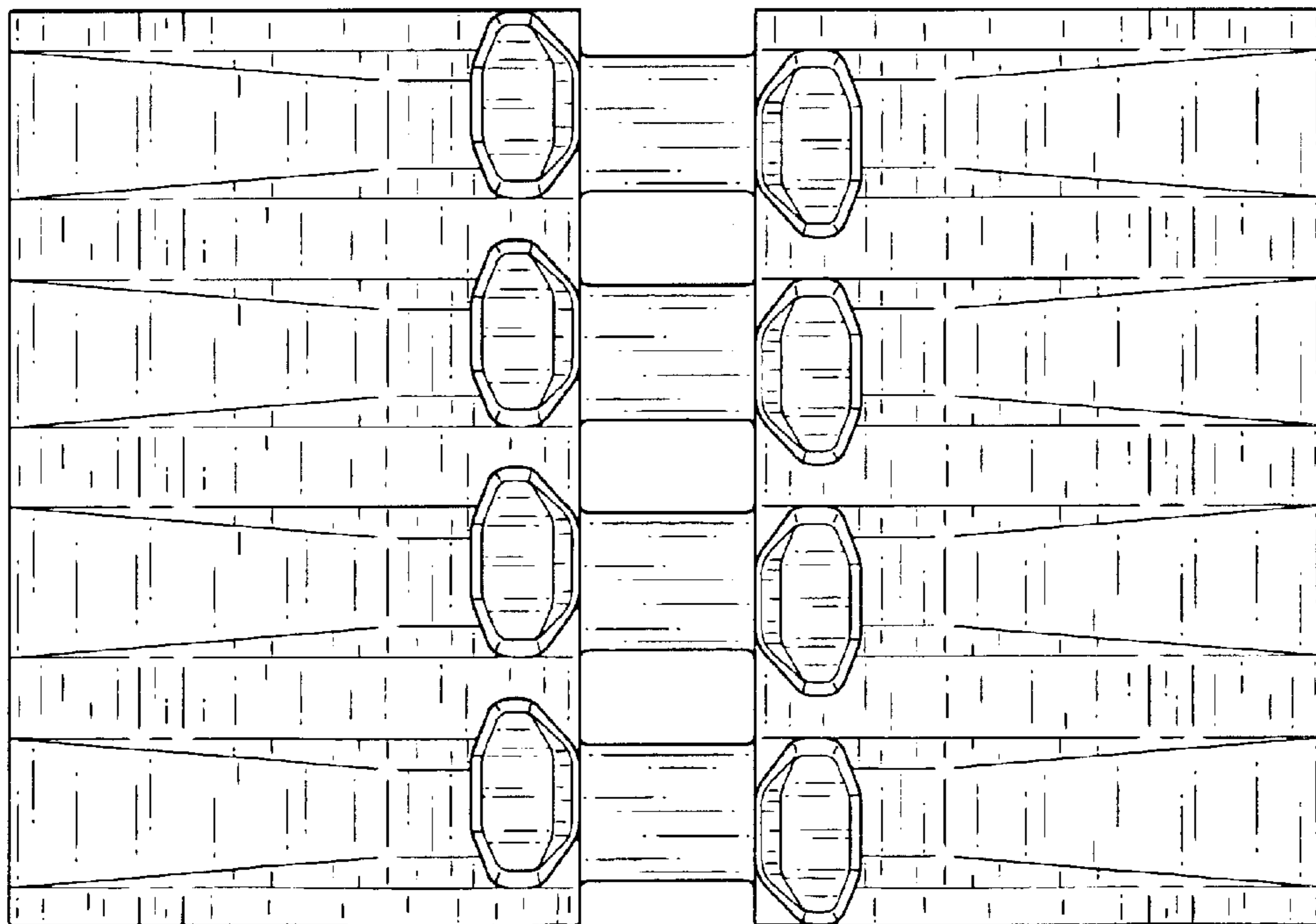


Fig. 4

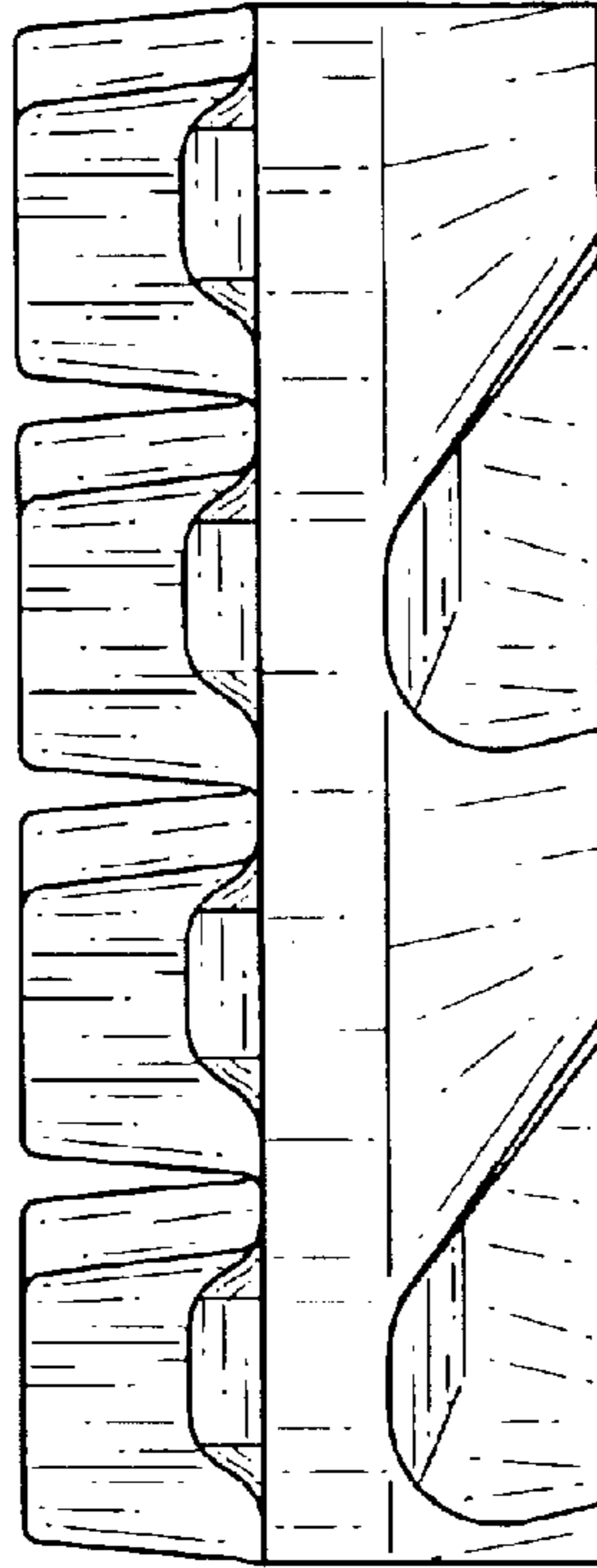


Fig. 5

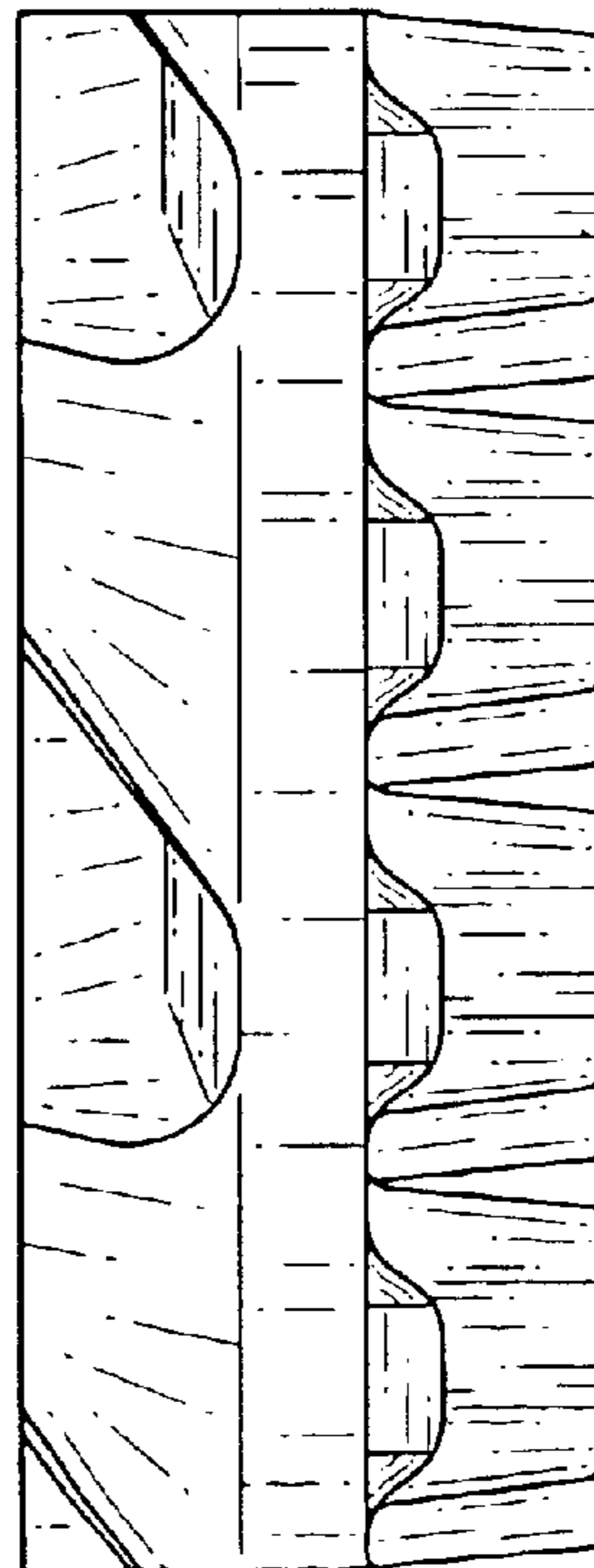


Fig. 6

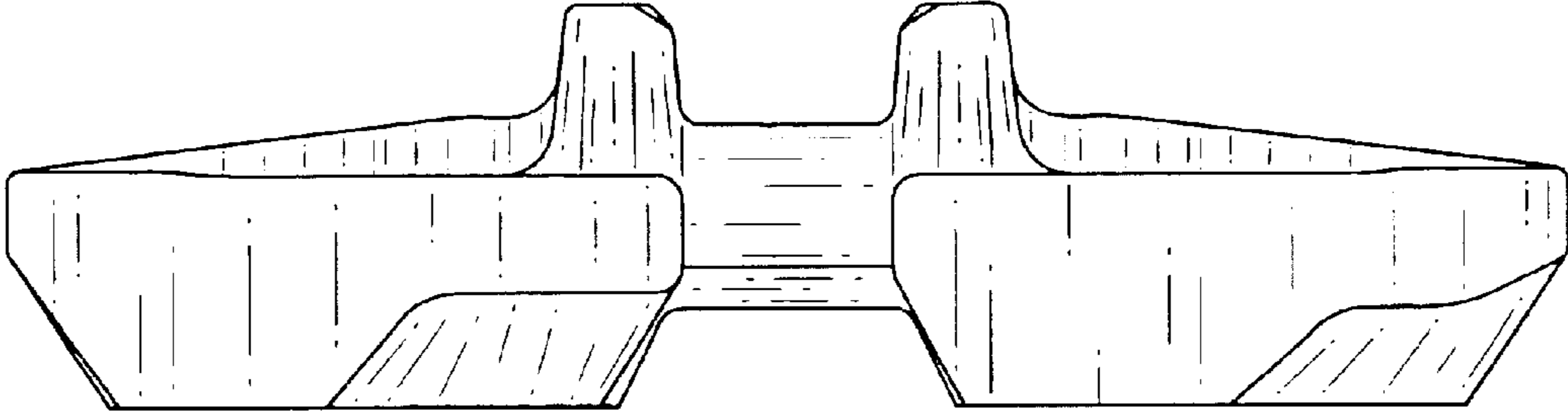


Fig. 7

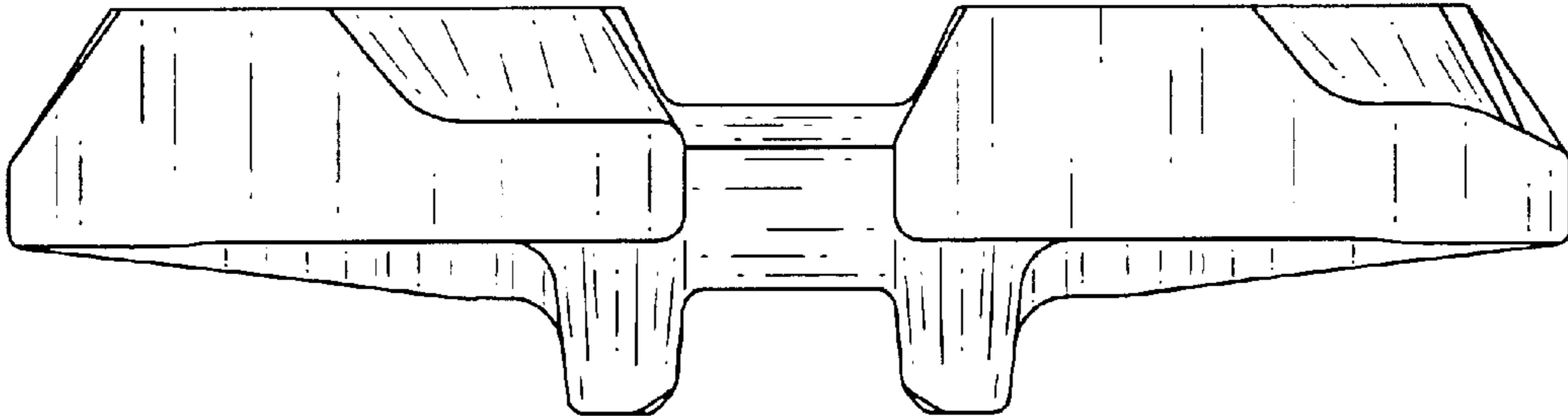


Fig. 8

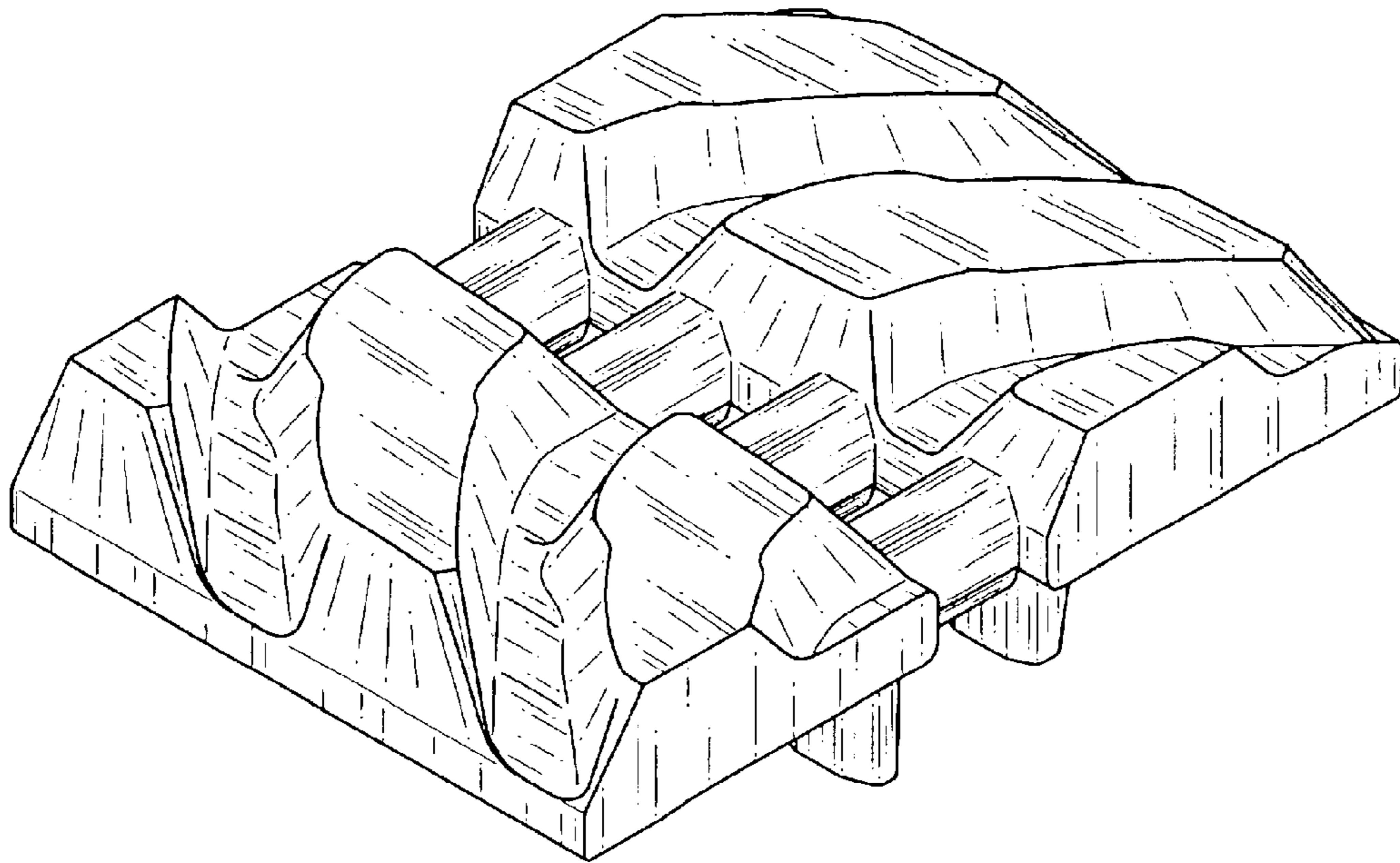


Fig. 9

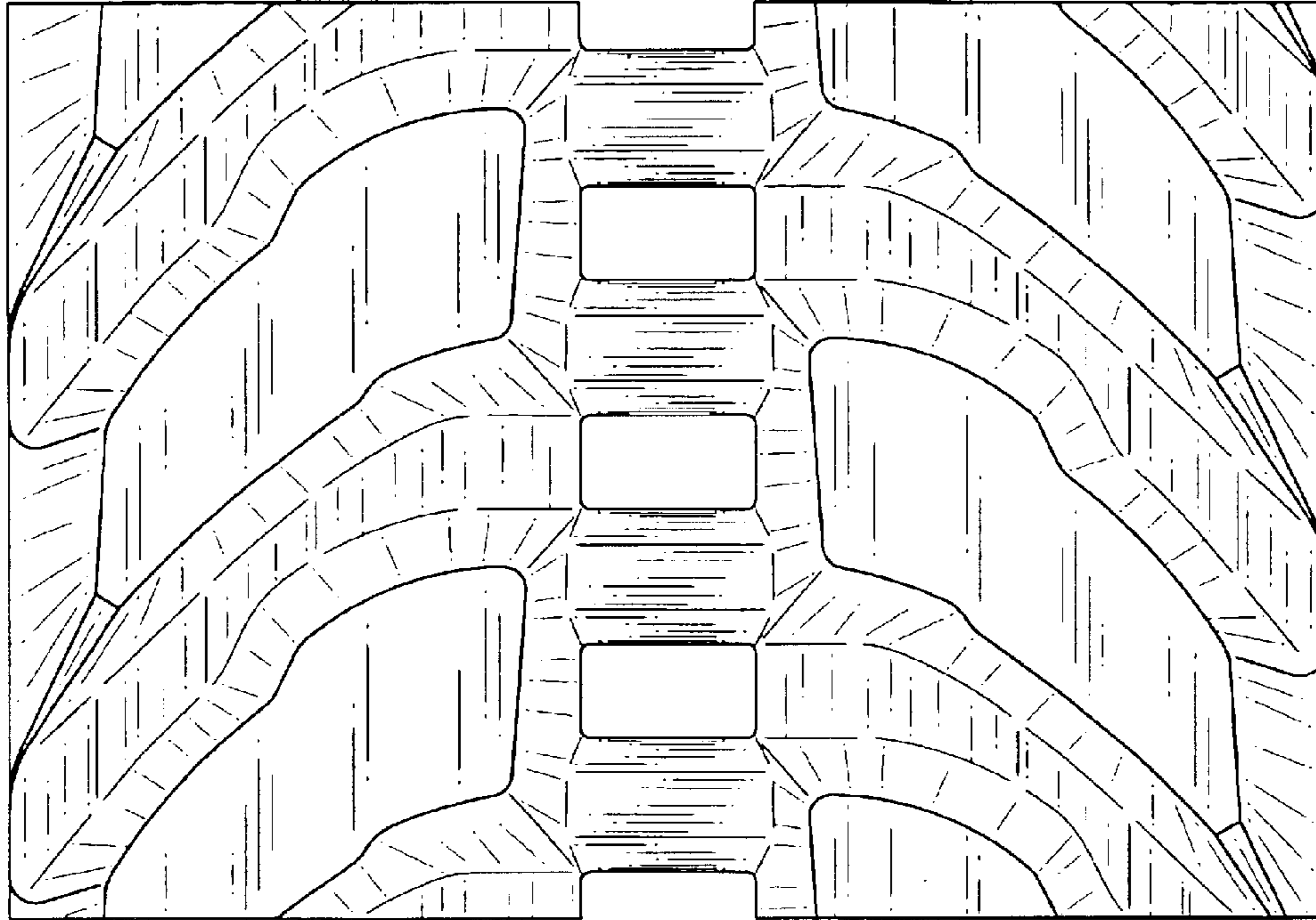


Fig. 10

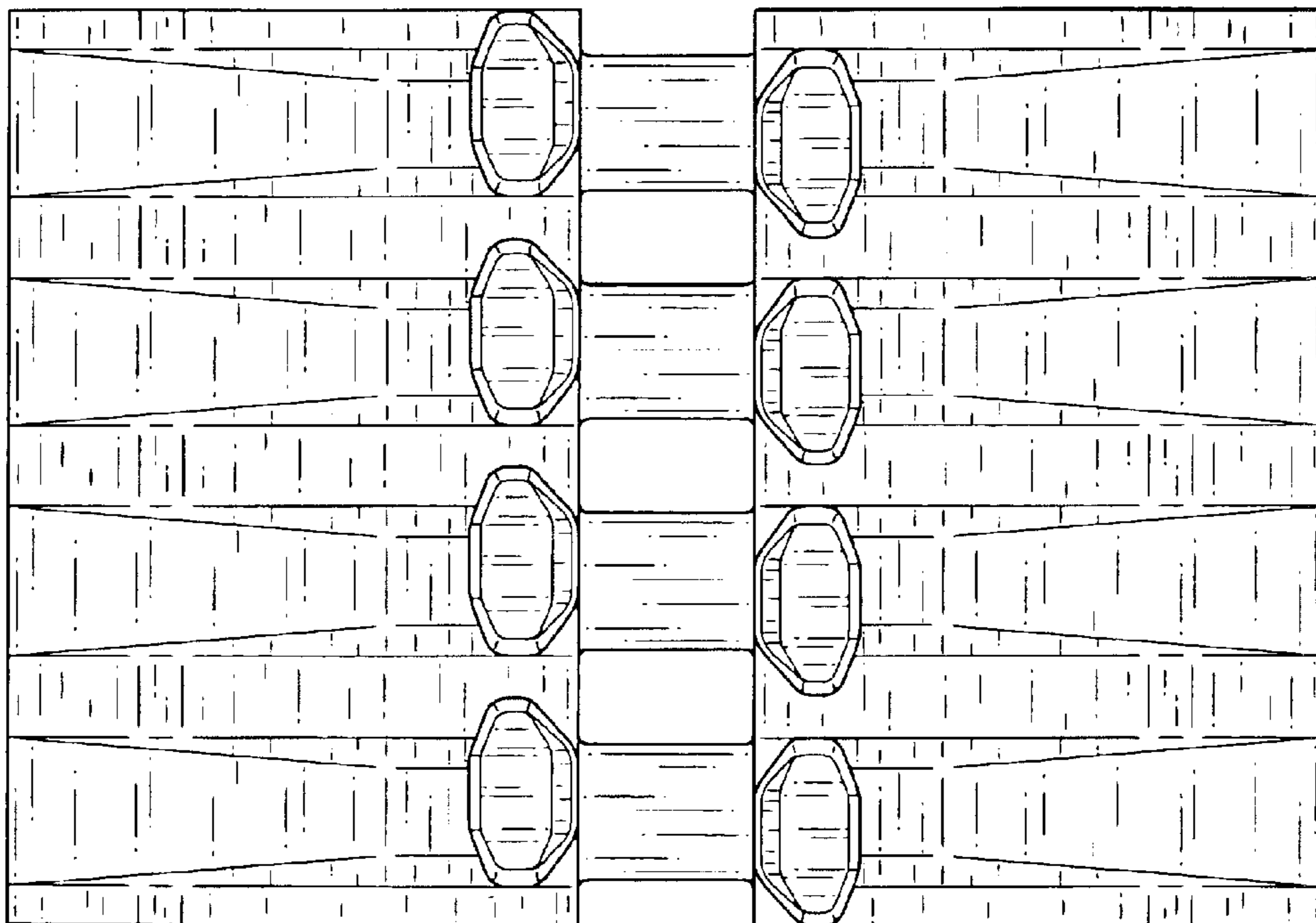


Fig. 11

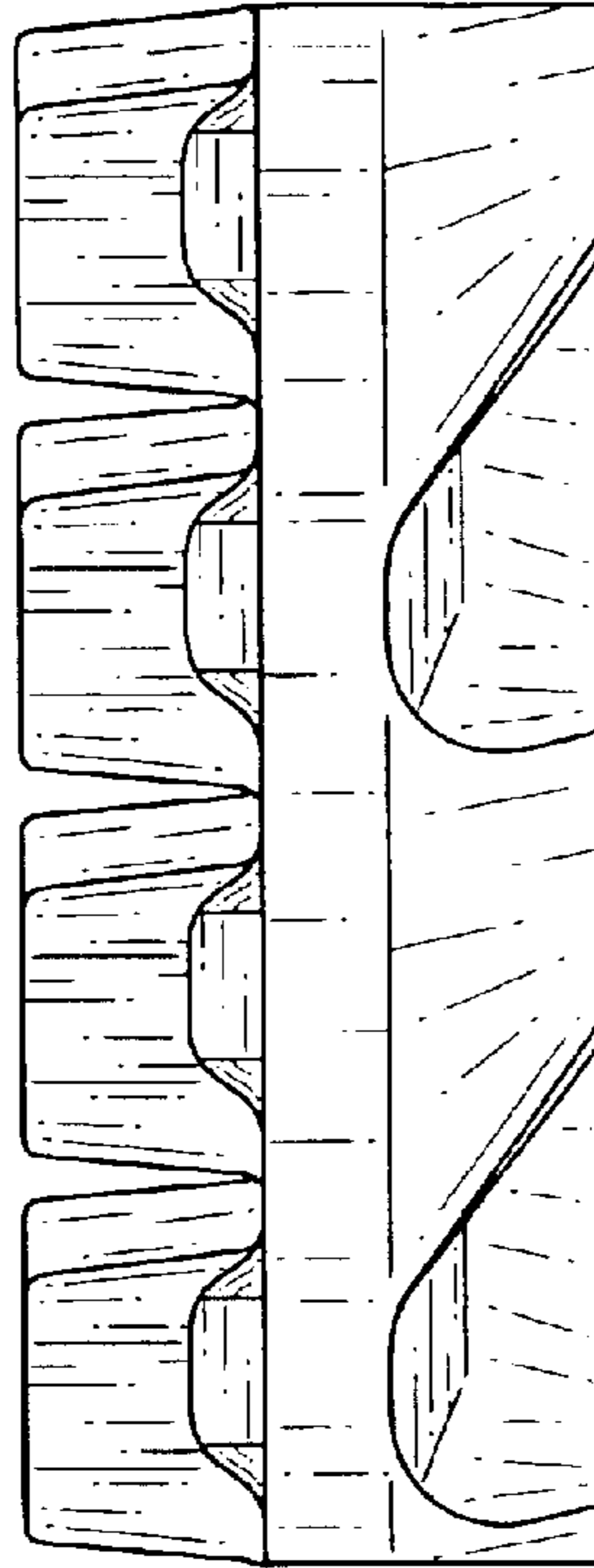


Fig. 12

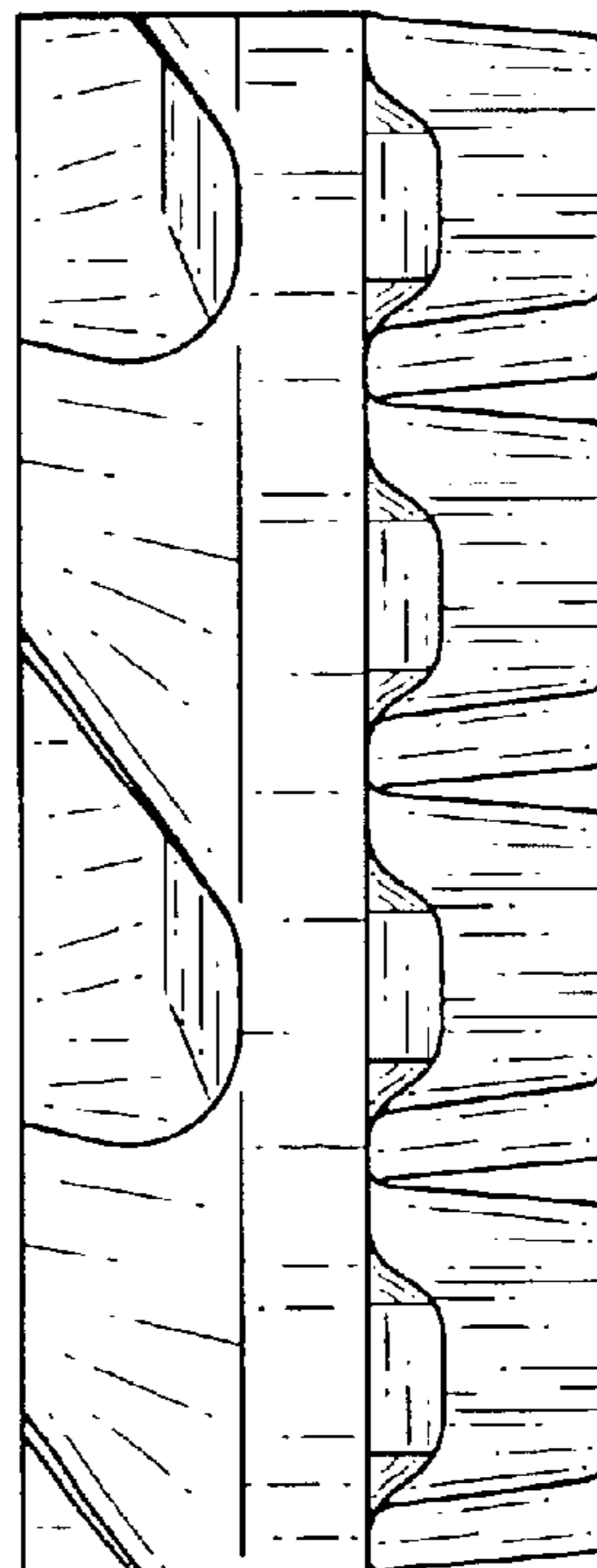


Fig. 13

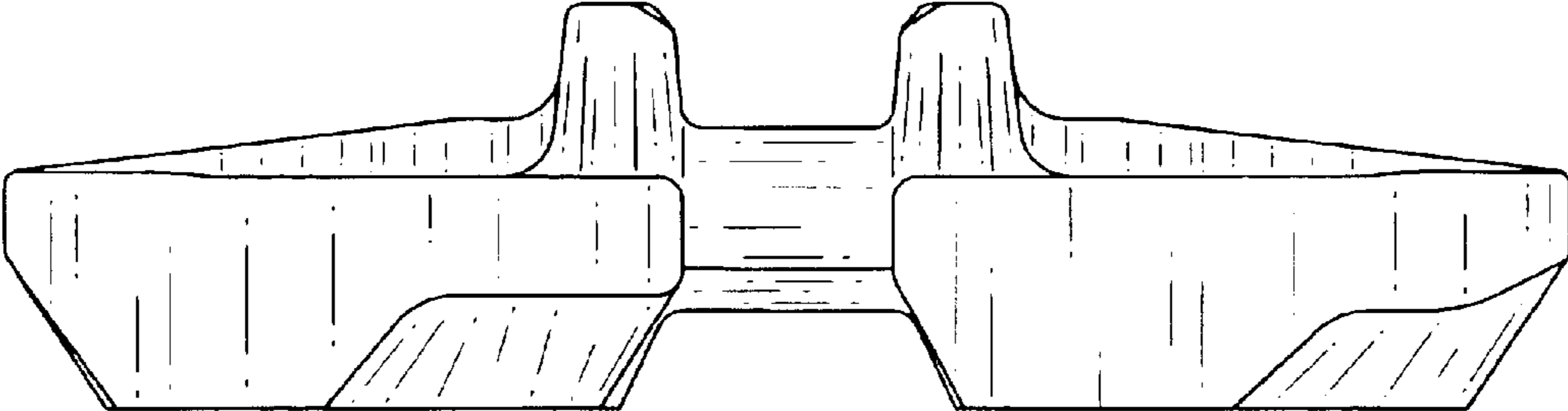


Fig. 14

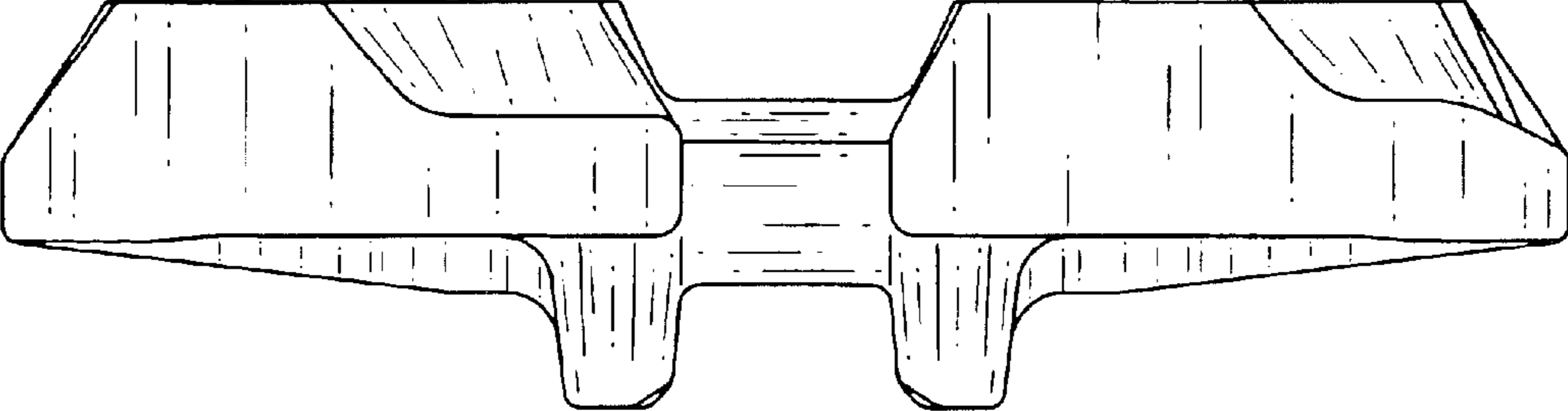


Fig. 15

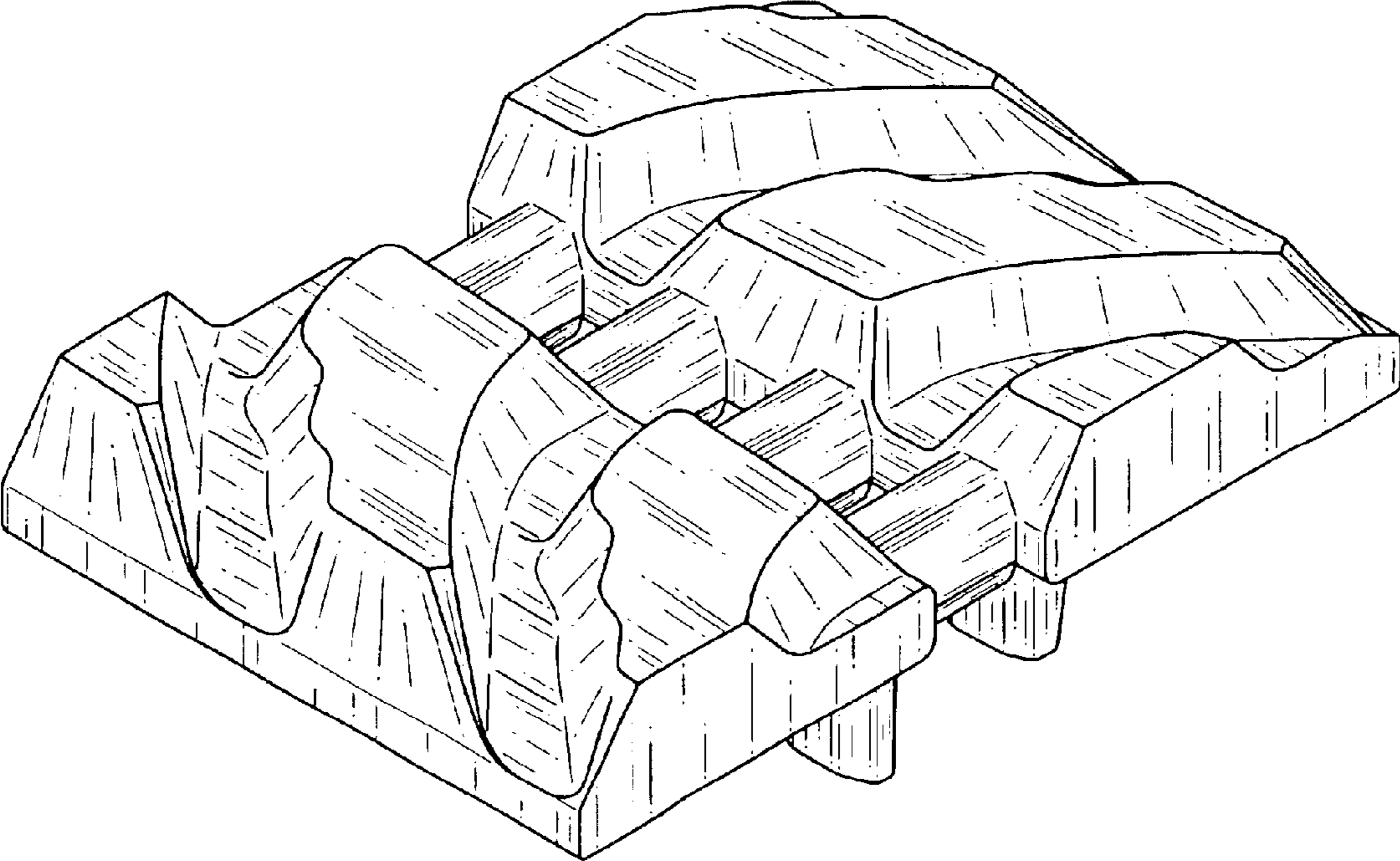


Fig. 16

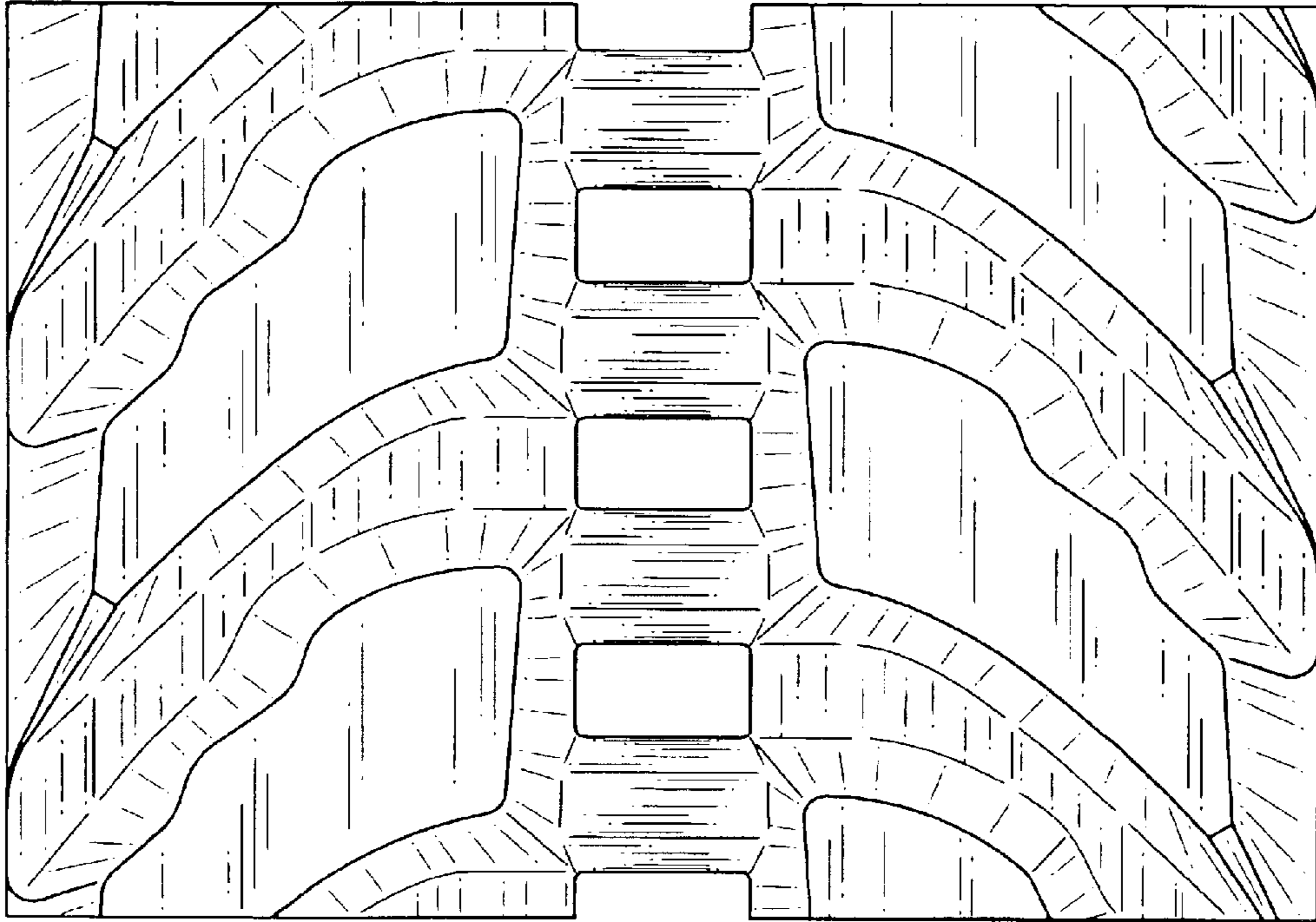


Fig. 17

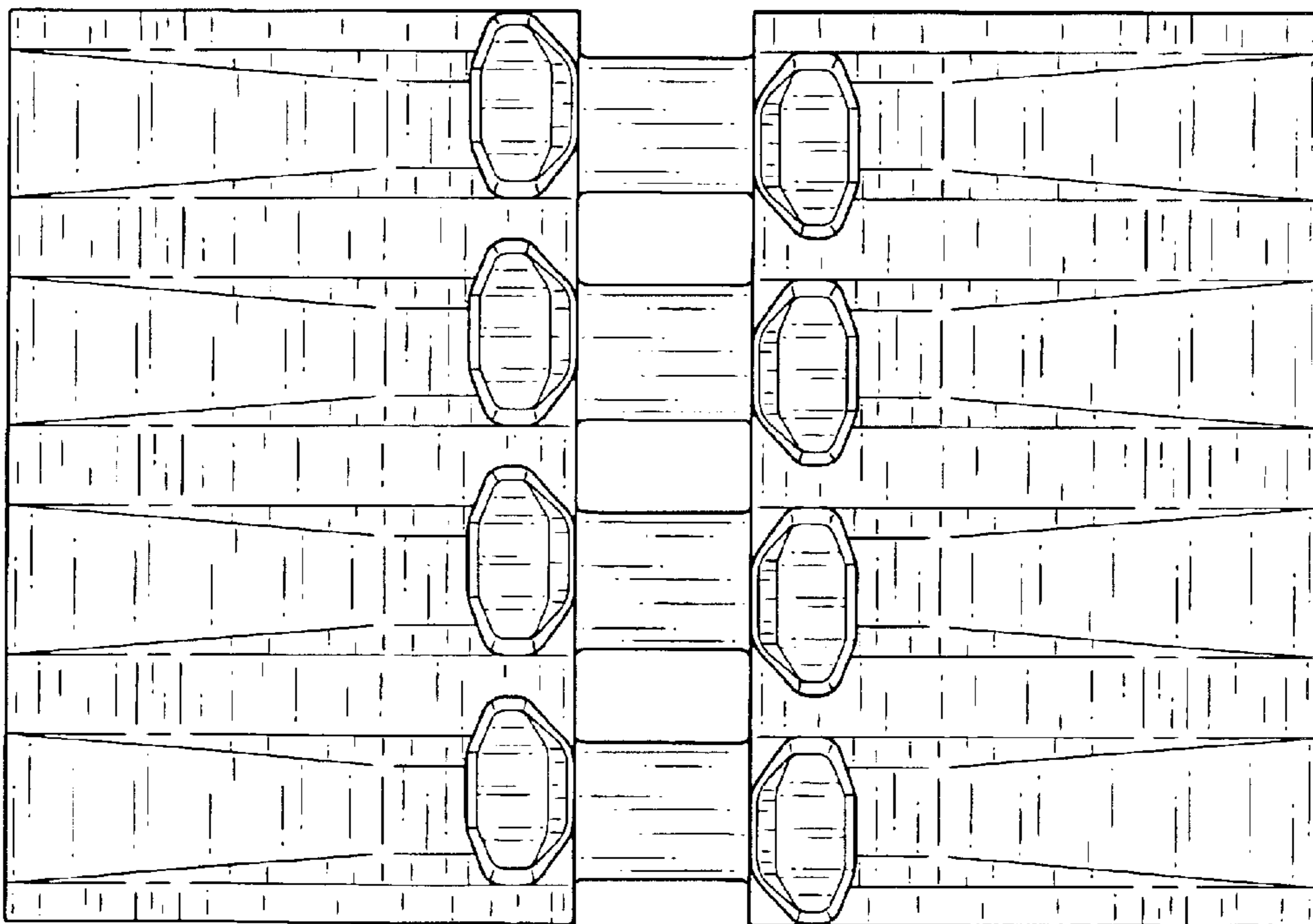


Fig. 18

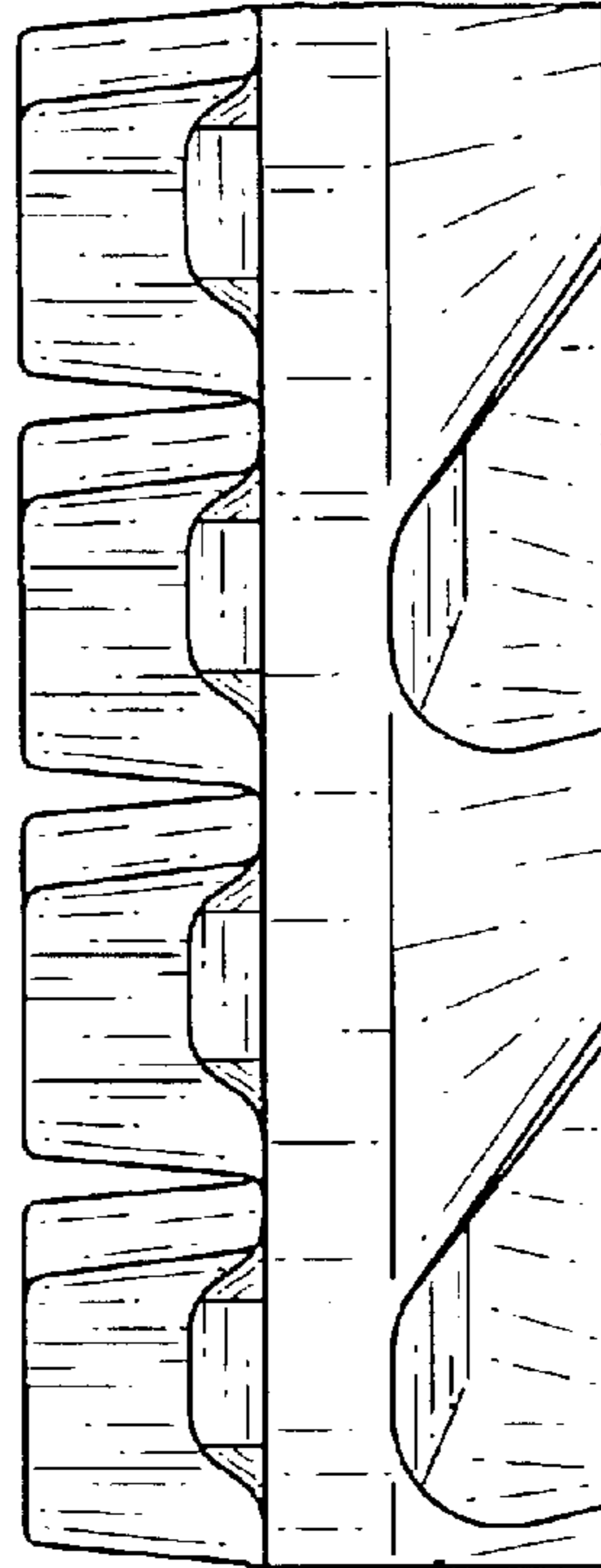


Fig. 19

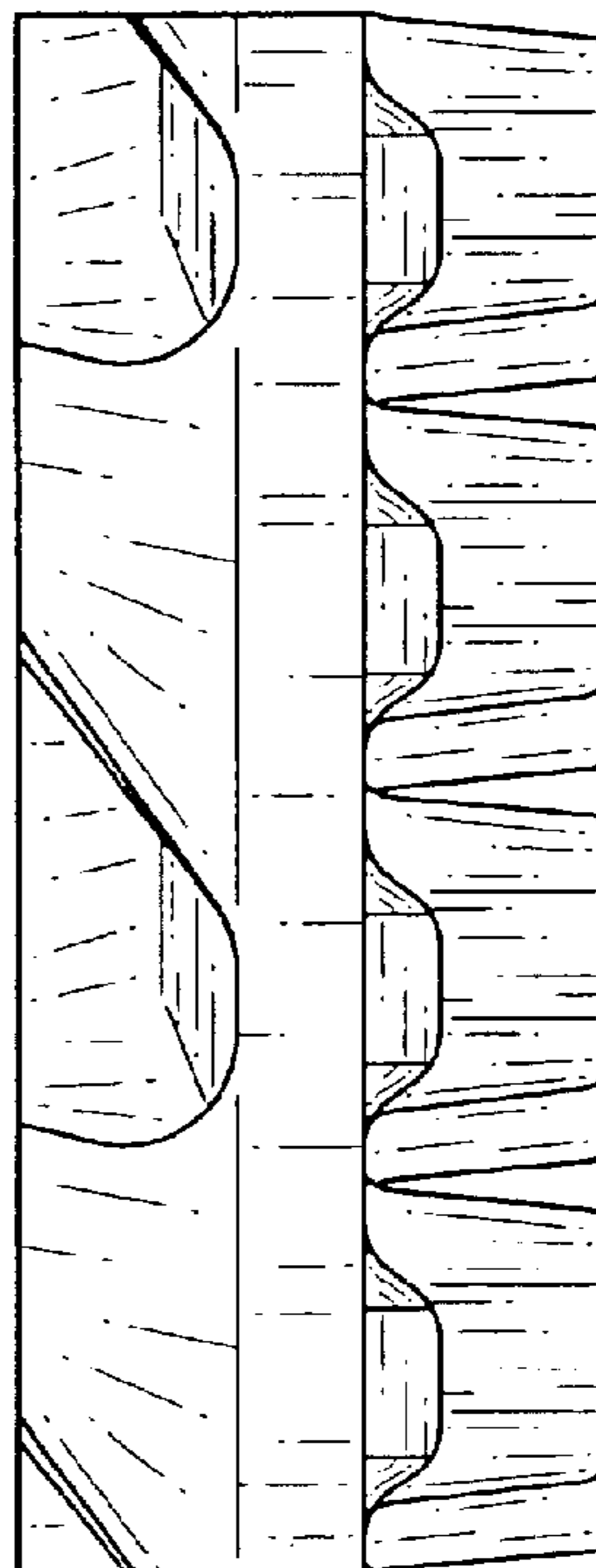


Fig. 20

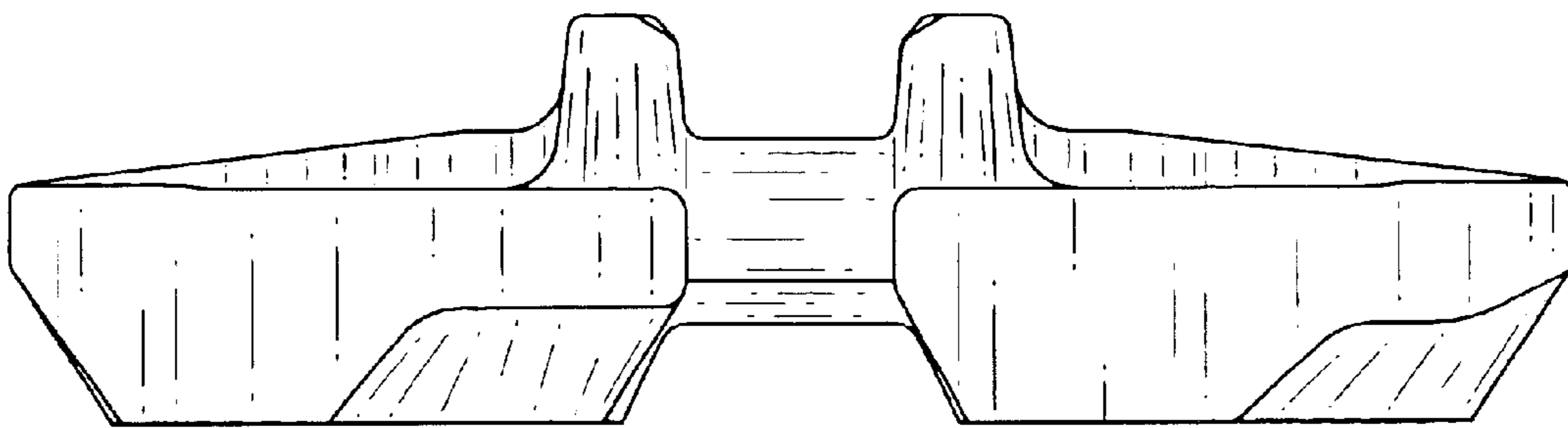


Fig. 21

