

US00D496046S1

(12) **United States Design Patent**
Lo

(10) **Patent No.: US D496,046 S**
(45) **Date of Patent: ** Sep. 14, 2004**

(54) **LIQUID CRYSTAL DISPLAY MONITOR**

D476,335 S * 6/2003 Miao et al. D14/375

(75) Inventor: **Hao-Sheng Lo**, Taipei Hsien (TW)

* cited by examiner

(73) Assignee: **Acer Incorporated**, Taipei Hsien (TW)

Primary Examiner—Freda S. Nunn

(**) Term: **14 Years**

(74) *Attorney, Agent, or Firm*—Michael D. Bednarek;
Shaw Pittman LLP

(21) Appl. No.: **29/197,196**

(57) **CLAIM**

(22) Filed: **Jan. 13, 2004**

The ornamental design for a liquid crystal display monitor,
substantially as shown and described.

(30) **Foreign Application Priority Data**

DESCRIPTION

Sep. 3, 2003 (TW) 92305434

(51) **LOC (7) Cl.** **14-02**

(52) **U.S. Cl.** **D14/375**

(58) **Field of Search** D14/371–375,
D14/125–129; 345/104, 156, 168, 173,
901–905, 87; 248/917–924; 348/180, 184,
325, 739; 341/12; 349/1, 2, 11, 62

FIG. 1 is a front perspective view of the liquid crystal display monitor showing our new design.

FIG. 2 is a front view of the liquid crystal display monitor;
FIG. 3 is a back view of the liquid crystal display monitor;
FIG. 4 is a right side view of the liquid crystal display monitor;

FIG. 5 is a left side view of the liquid crystal display monitor;

FIG. 6 is a bottom plan view of the liquid crystal display monitor; and,

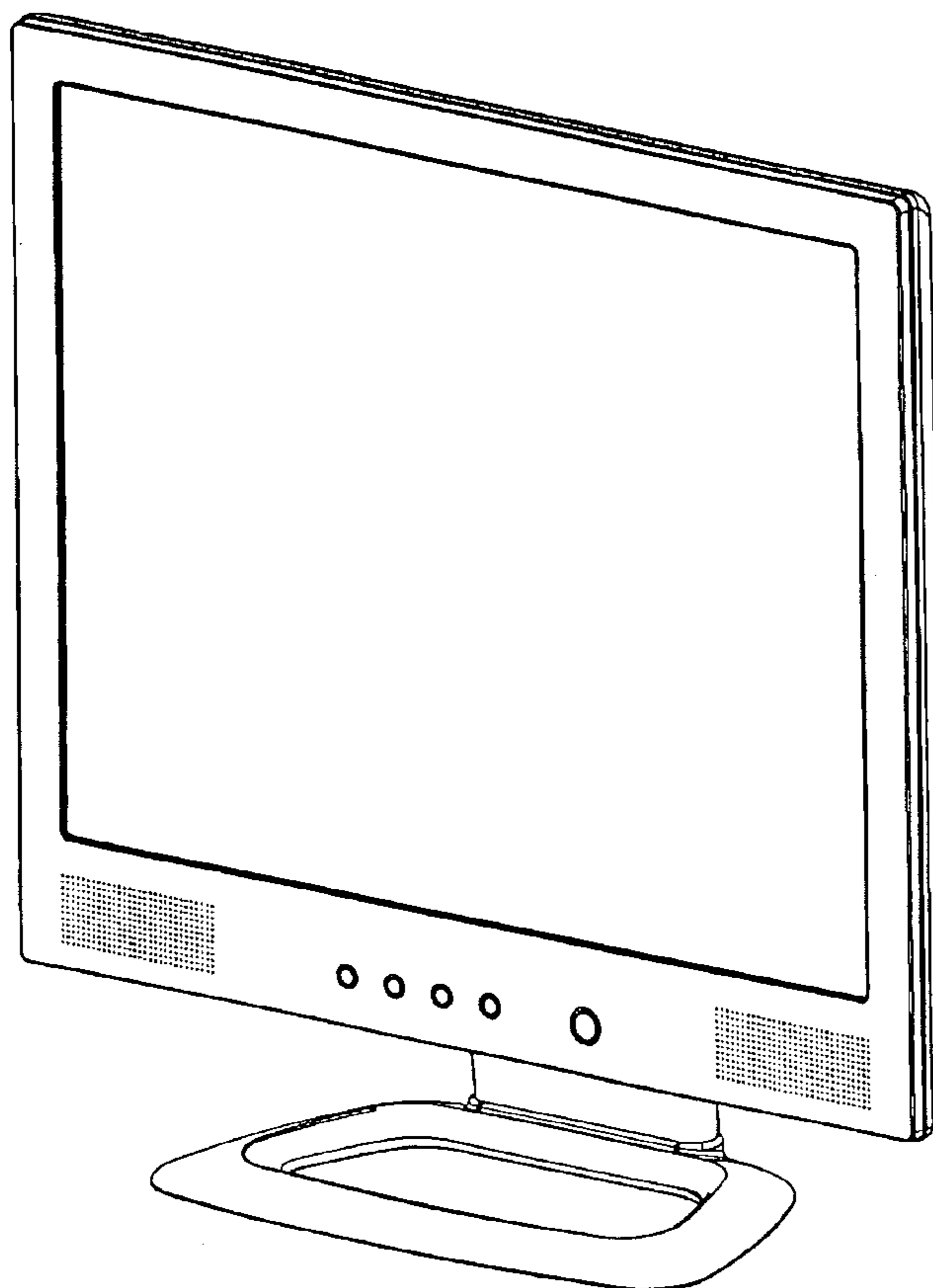
FIG. 7 is a top plan view of the liquid crystal display monitor.

(56) **References Cited**

U.S. PATENT DOCUMENTS

D416,549 S * 11/1999 Coster et al. D14/375
D458,256 S * 6/2002 Liu D14/375
D476,005 S * 6/2003 Peng et al. D14/375

1 Claim, 7 Drawing Sheets



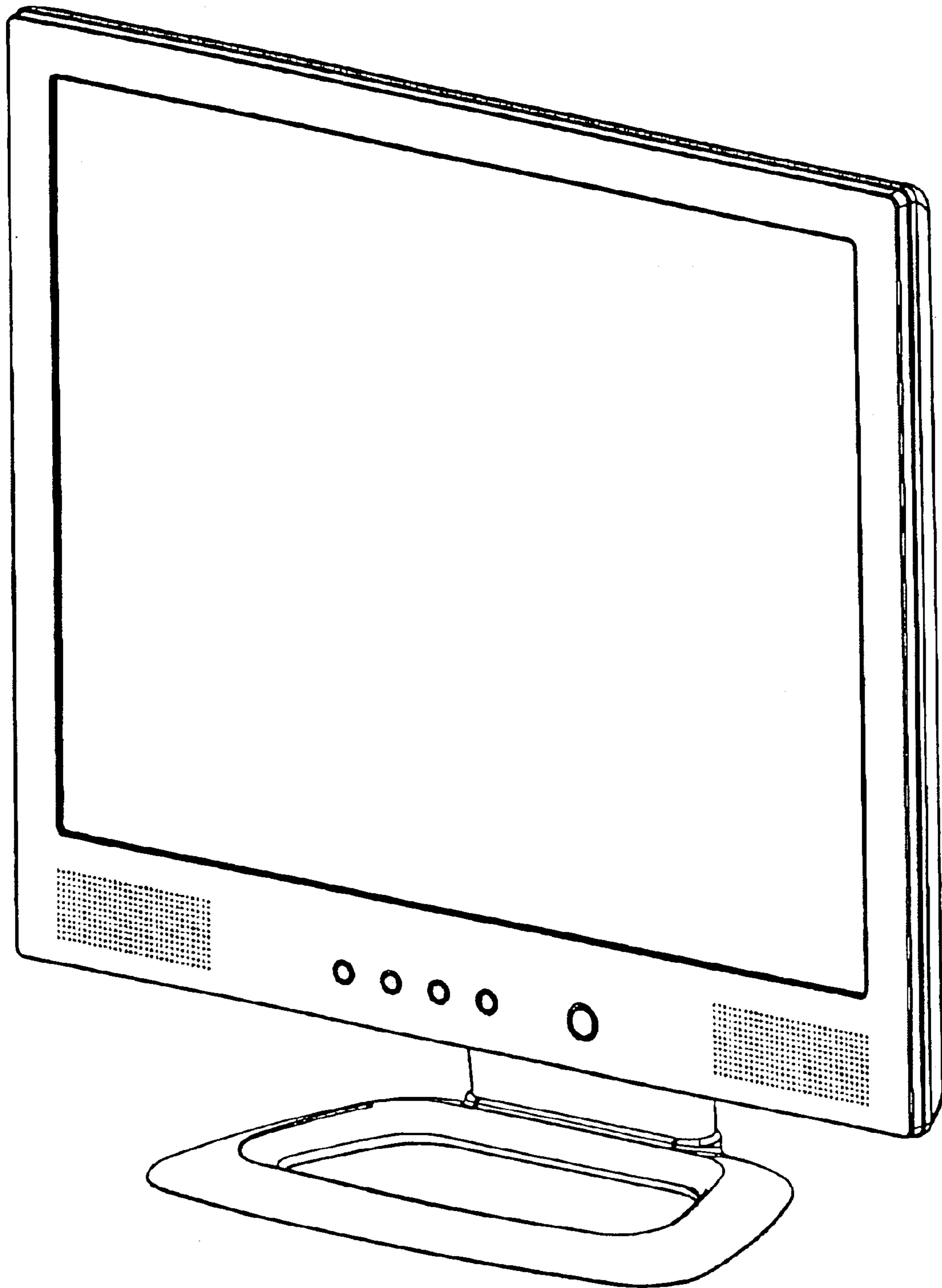


Fig. 1

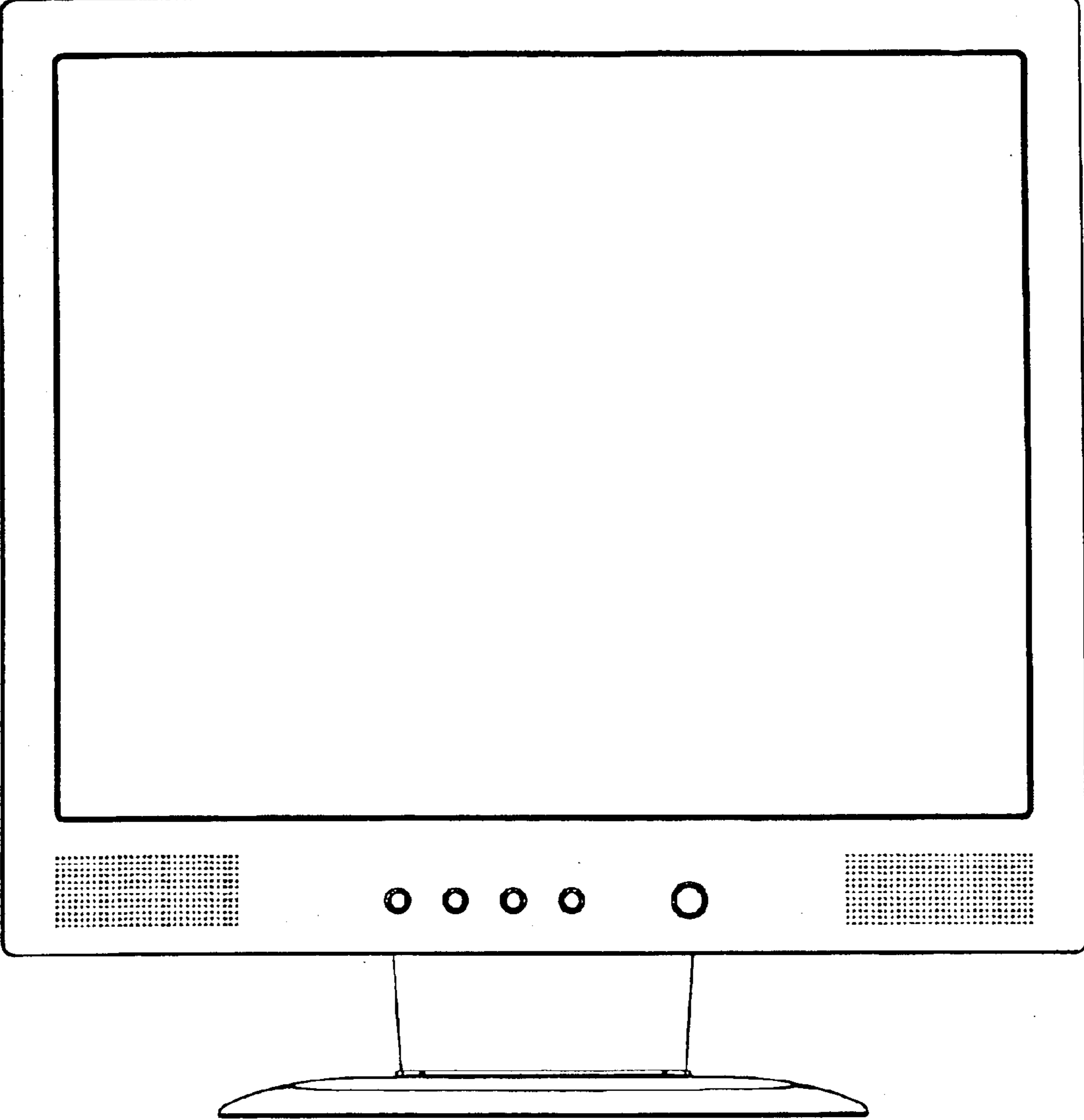


Fig. 2

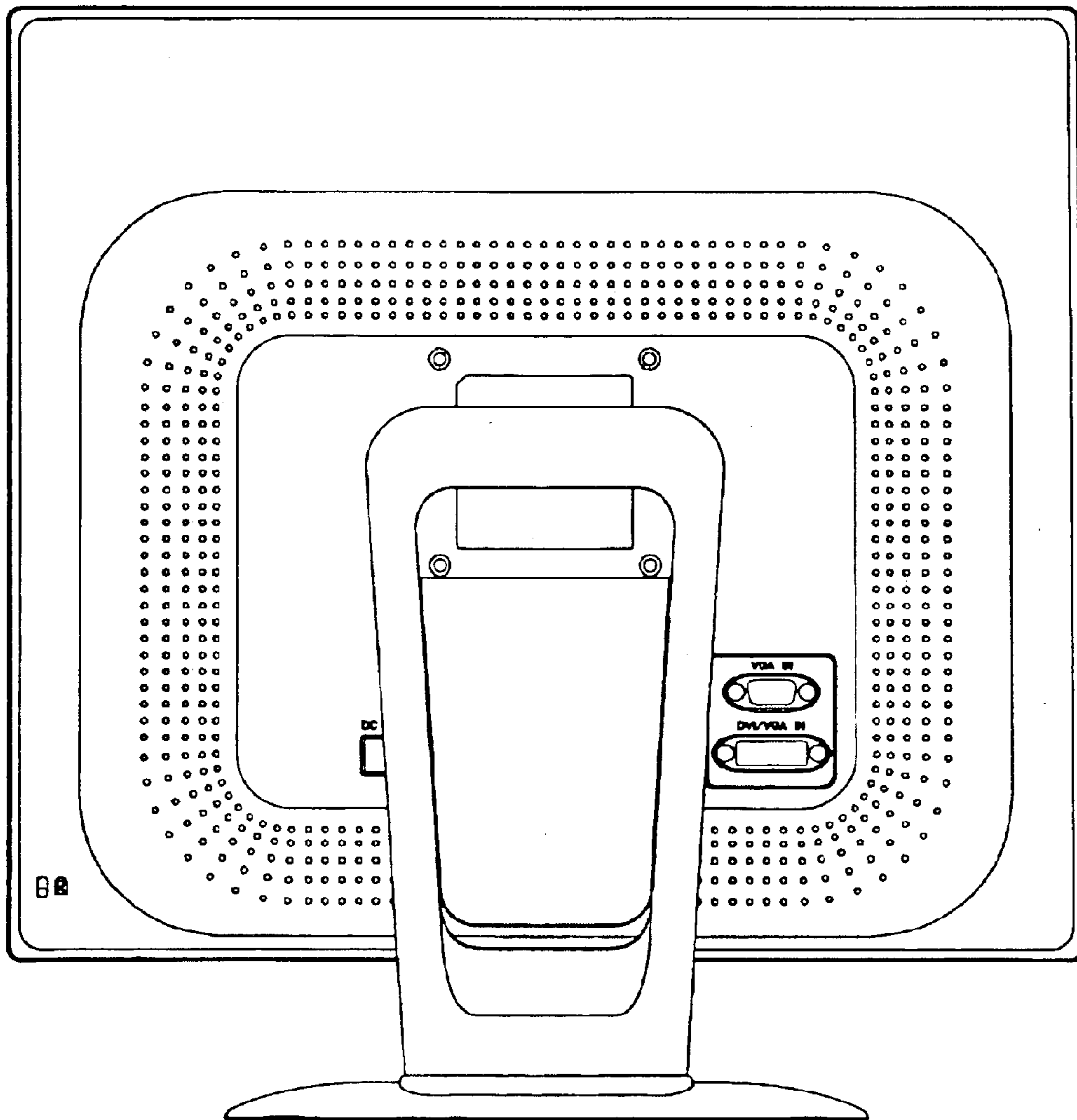


Fig. 3

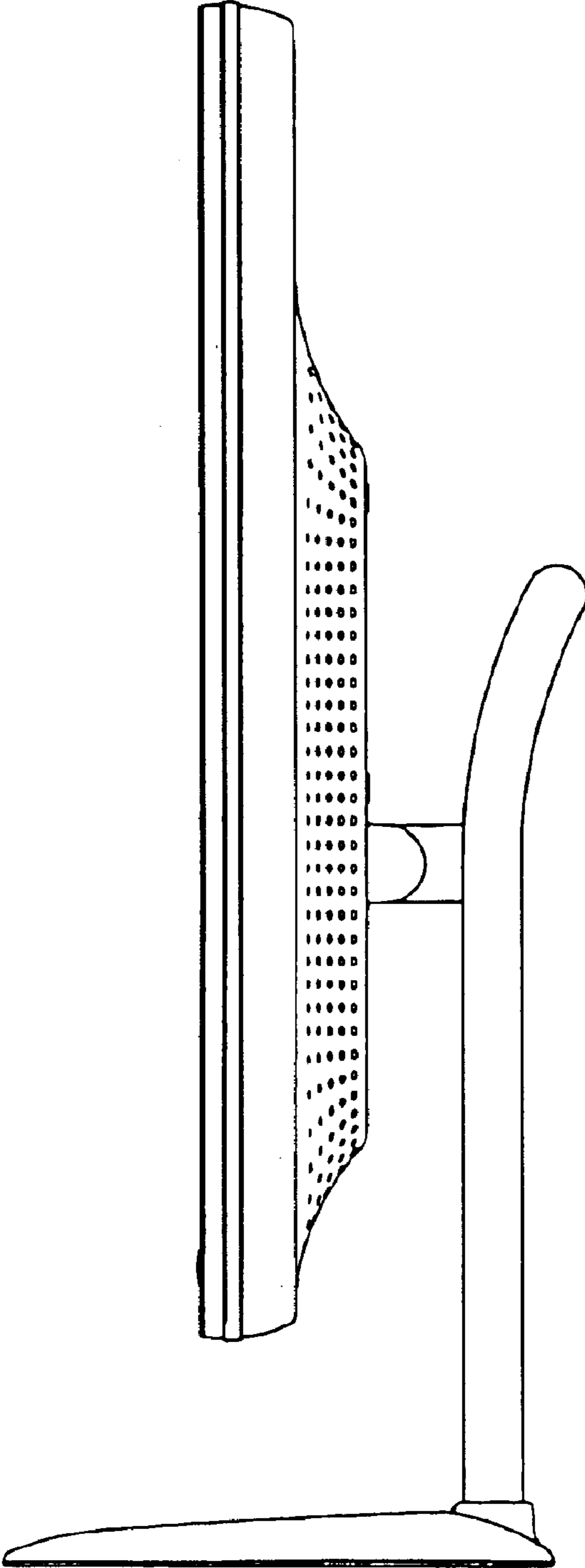


Fig. 4

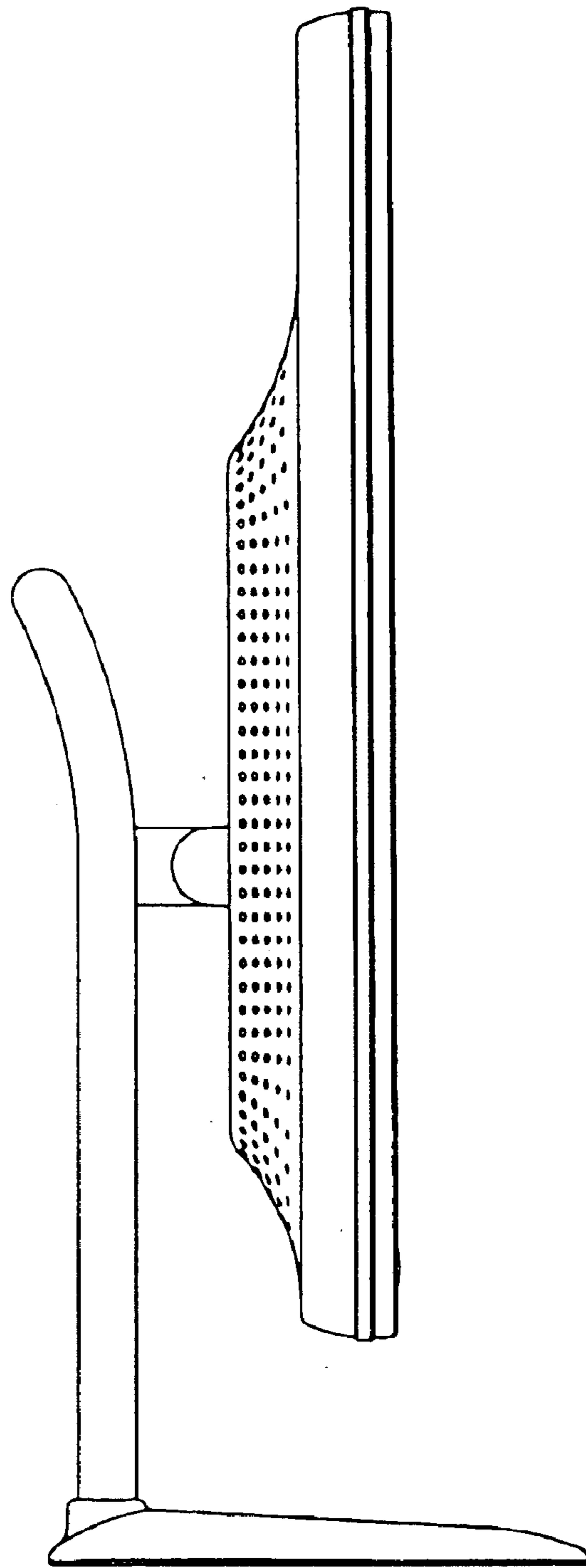


Fig. 5

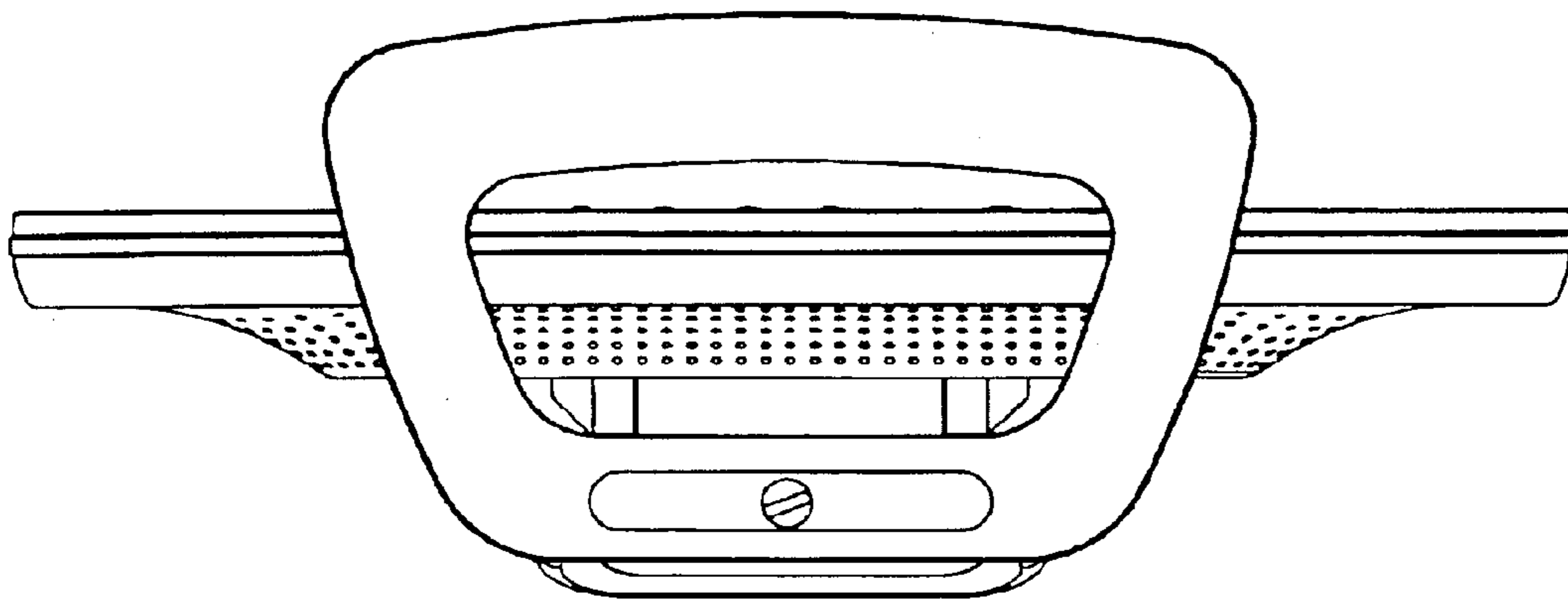


Fig. 6

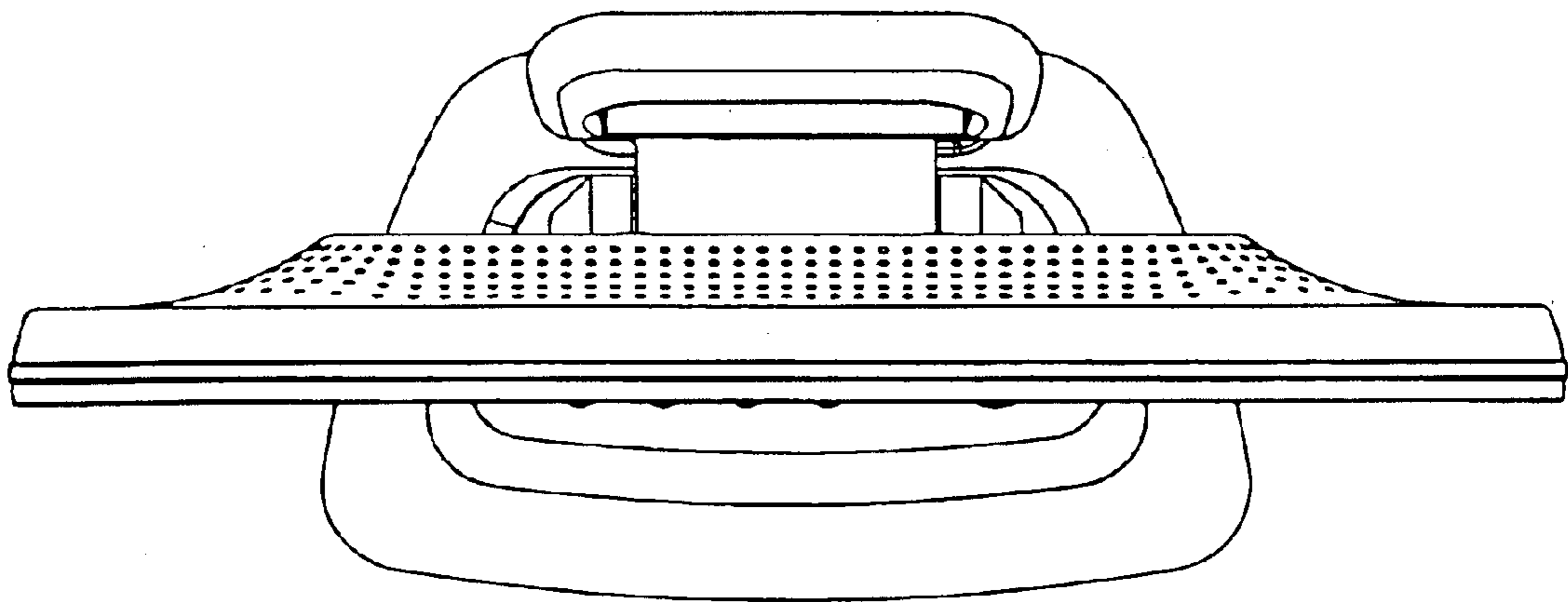


Fig. 7