

US00D496042S1

(12) **United States Design Patent**  
**Borsboom**

(10) **Patent No.:** **US D496,042 S**

(45) **Date of Patent:** **\*\* Sep. 14, 2004**

(54) **LIQUID CRYSTAL DISPLAY**

D476,004 S \* 6/2003 Olson et al. .... D14/375  
D479,237 S \* 9/2003 Juan ..... D14/375

(75) Inventor: **Antonious M. Borsboom**, Singapore  
(SG)

\* cited by examiner

(73) Assignee: **Hannspree, Inc.**, Taipei (TW)

*Primary Examiner*—Freda S. Nunn

(\*\*) Term: **14 Years**

(74) *Attorney, Agent, or Firm*—Thomas, Kayden,  
Horstemeyer & Risley

(21) Appl. No.: **29/197,711**

(57) **CLAIM**

(22) Filed: **Jan. 20, 2004**

The ornamental design for a liquid crystal display, as shown  
and described.

(30) **Foreign Application Priority Data**

Dec. 30, 2003 (TW) ..... 92307837

**DESCRIPTION**

(51) **LOC (7) Cl.** ..... **14-02**

(52) **U.S. Cl.** ..... **D14/371**

(58) **Field of Search** ..... D14/371-375,  
D14/125-129; 345/104, 156, 168, 173,  
901-905; D26/62; 348/180, 184, 325, 739;  
349/1, 2, 11, 62; 341/12; 248/917-924;  
D21/515, 329; 312/204; 40/594

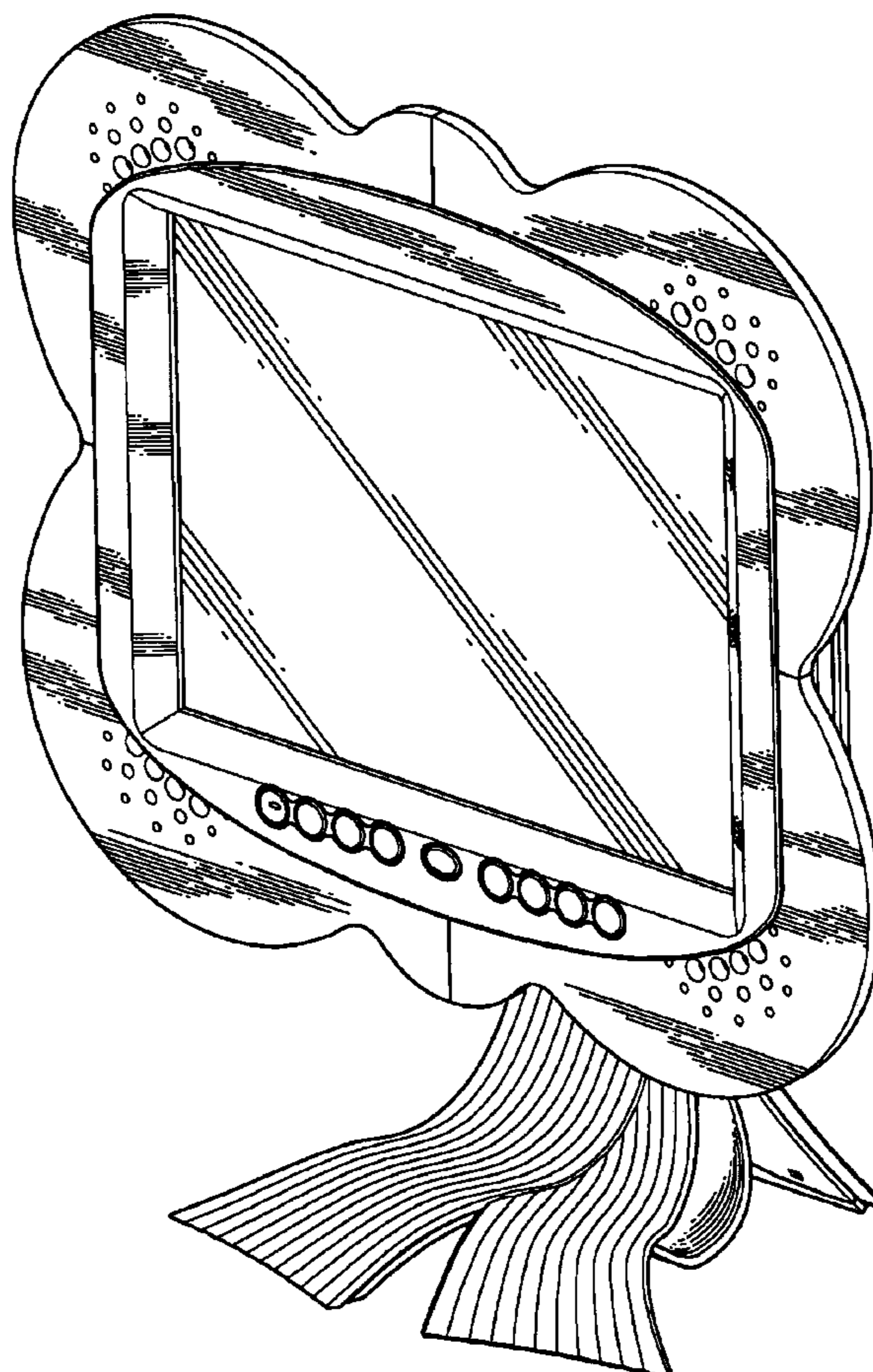
FIG. 1 is a front perspective view thereof;  
FIG. 2 is a front elevational view thereof;  
FIG. 3 is a rear elevational view thereof;  
FIG. 4 is a left side elevational view thereof;  
FIG. 5 is a right side elevational view thereof;  
FIG. 6 is a top plane view thereof; and,  
FIG. 7 is a bottom plane view thereof.

(56) **References Cited**

**U.S. PATENT DOCUMENTS**

D225,260 S \* 11/1972 Morris ..... D26/62

**1 Claim, 7 Drawing Sheets**



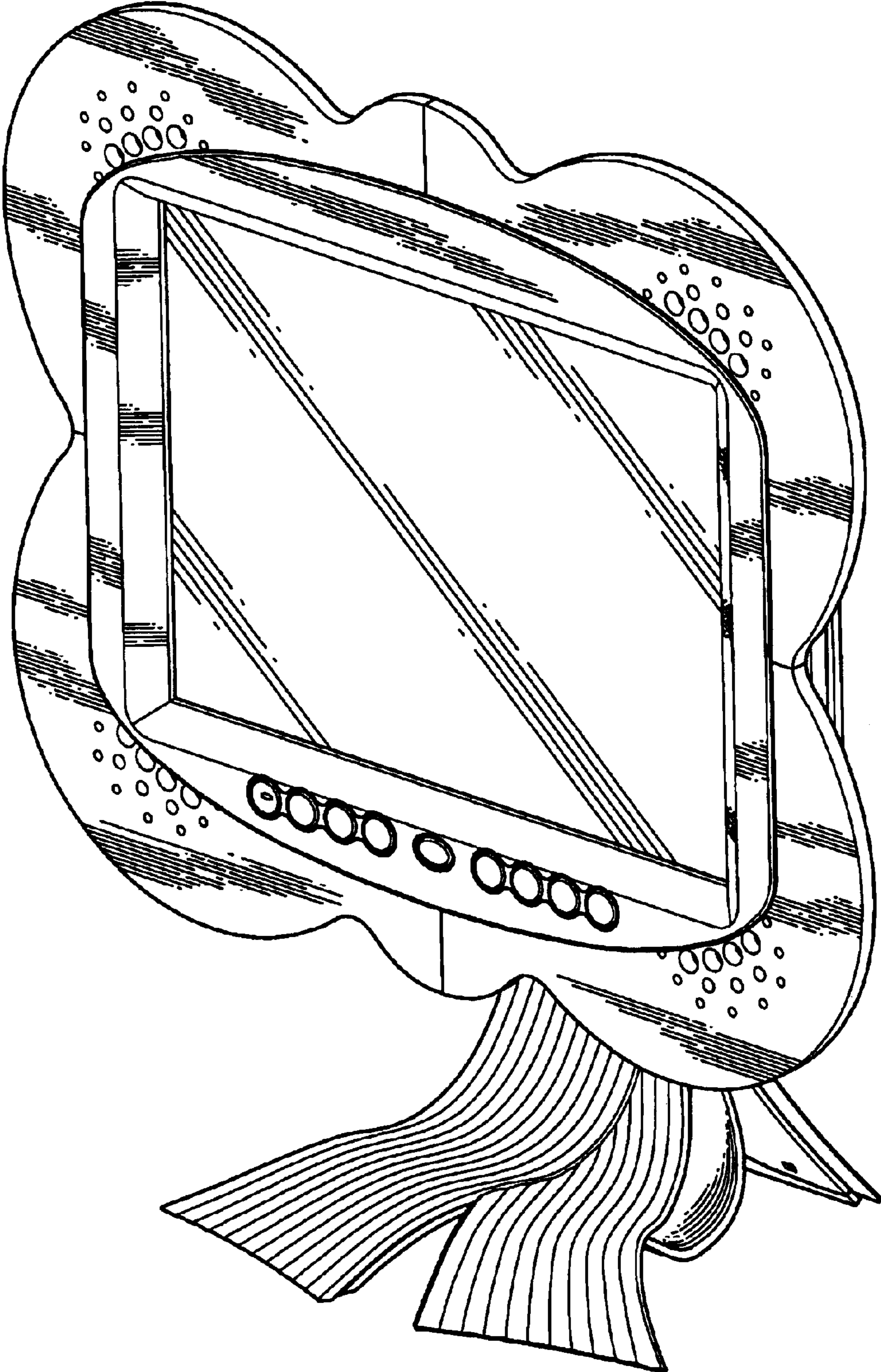


FIG. 1

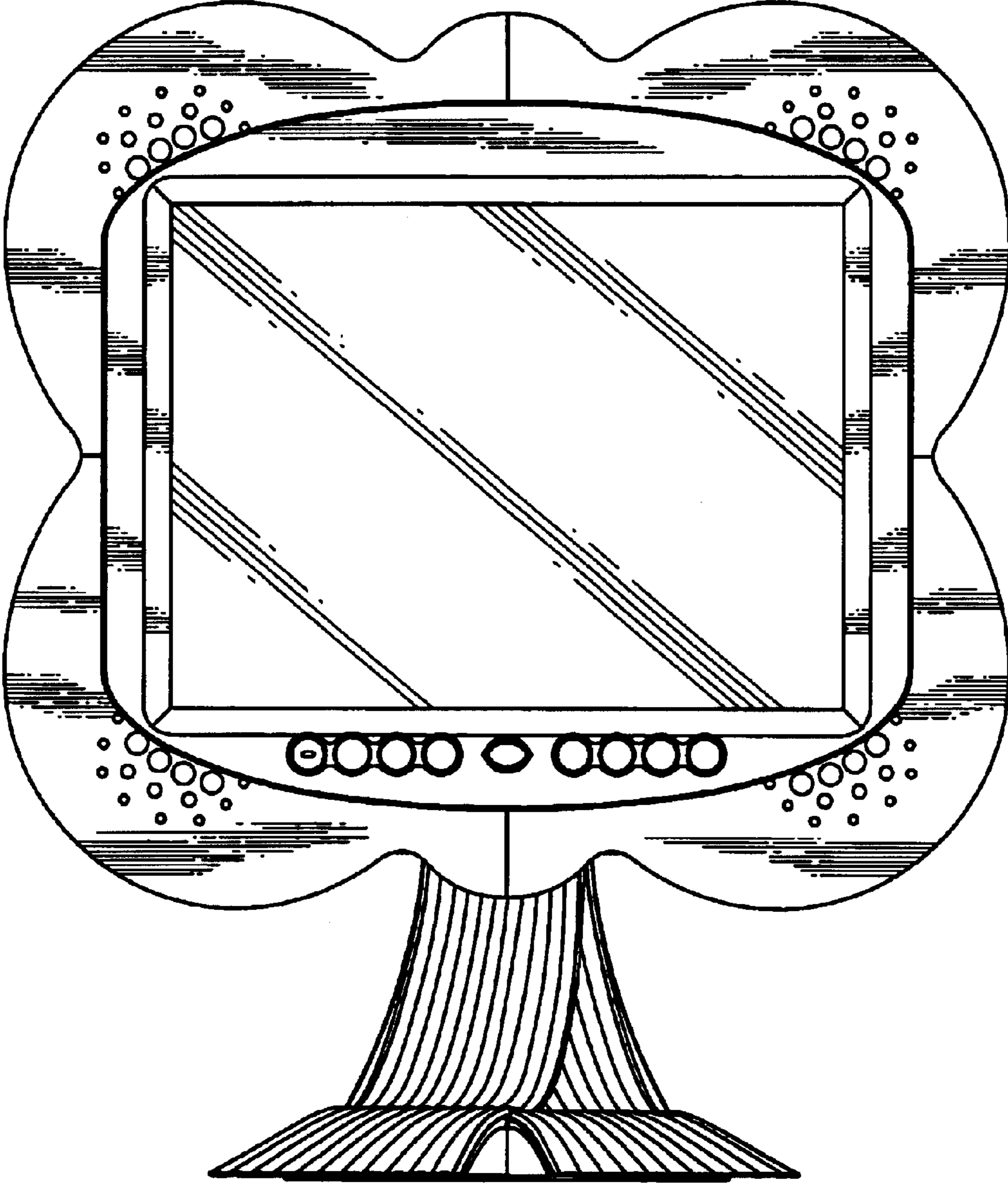


FIG. 2



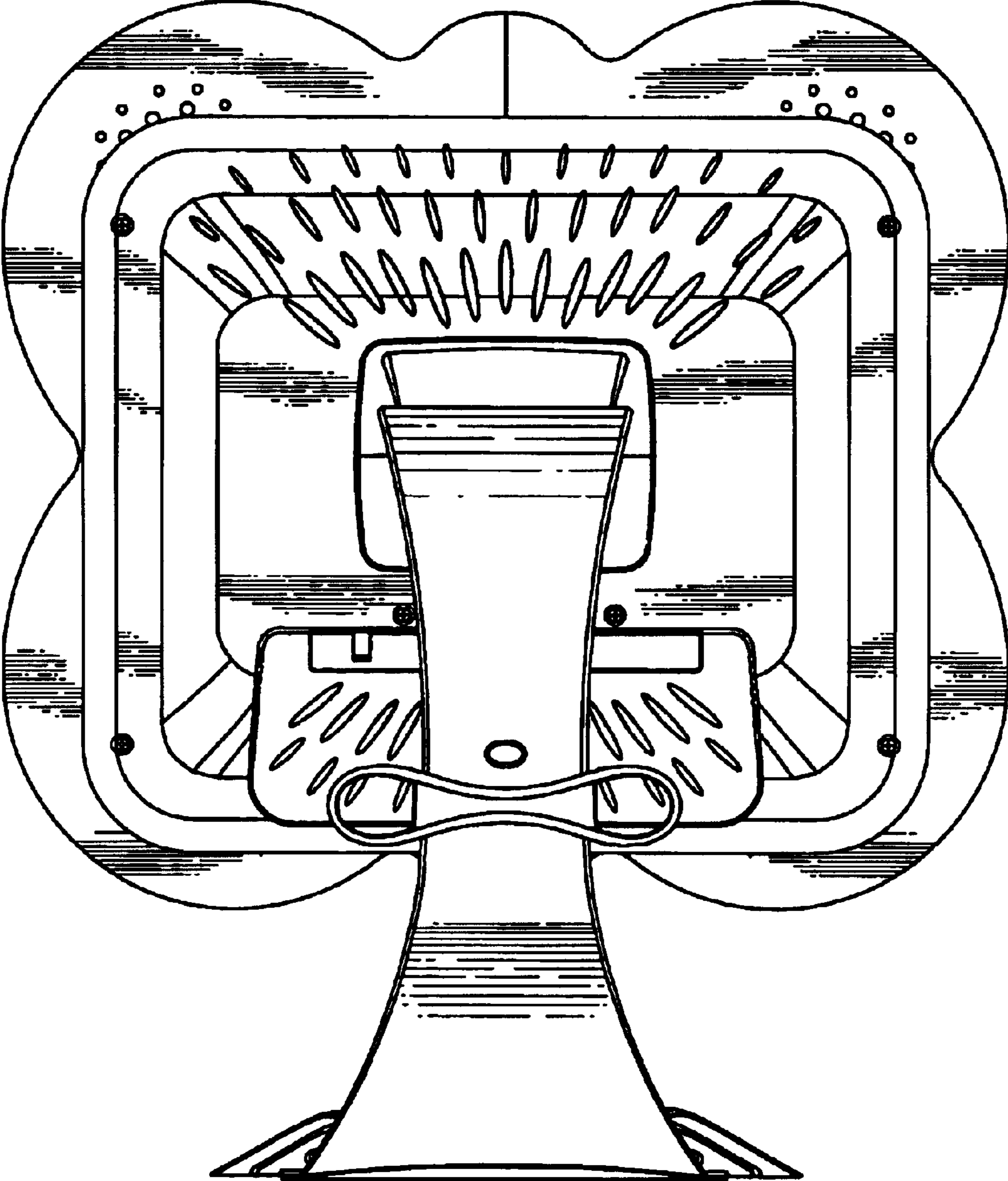


FIG. 3

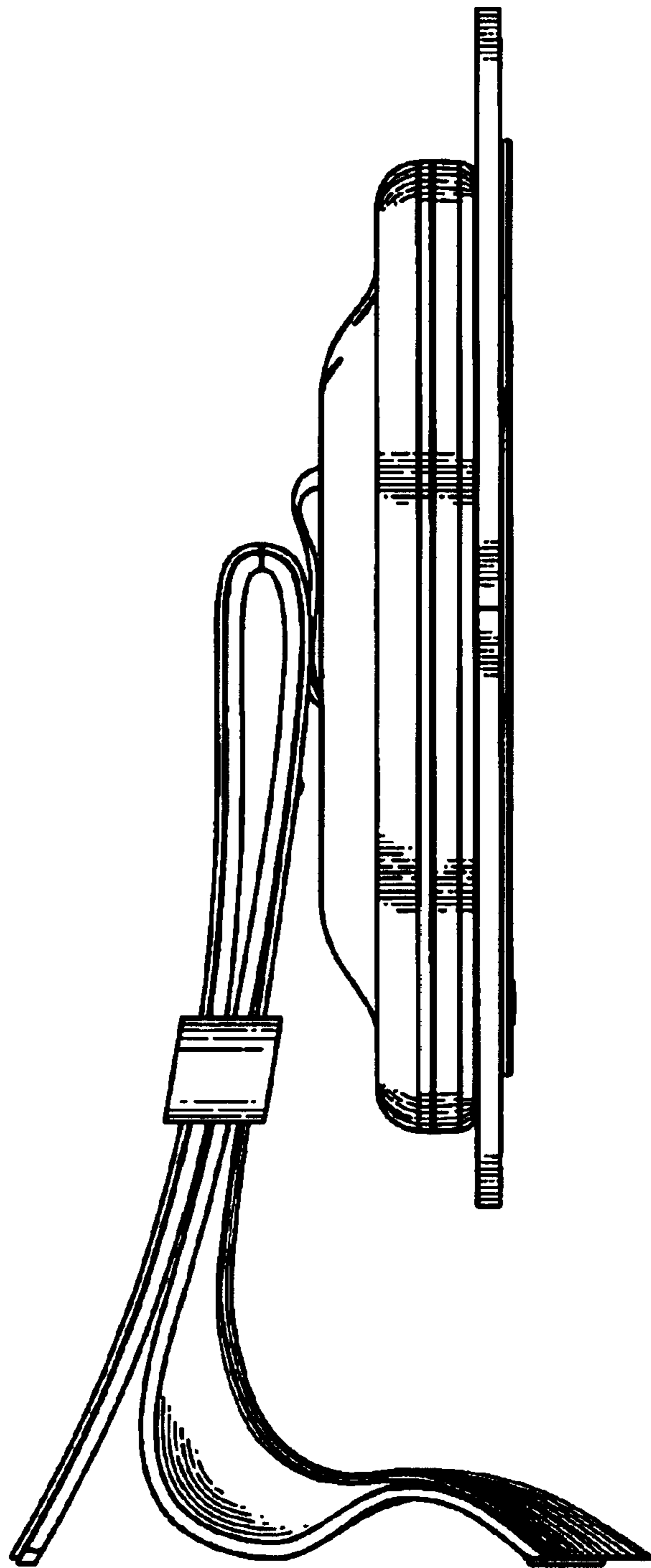


FIG. 4

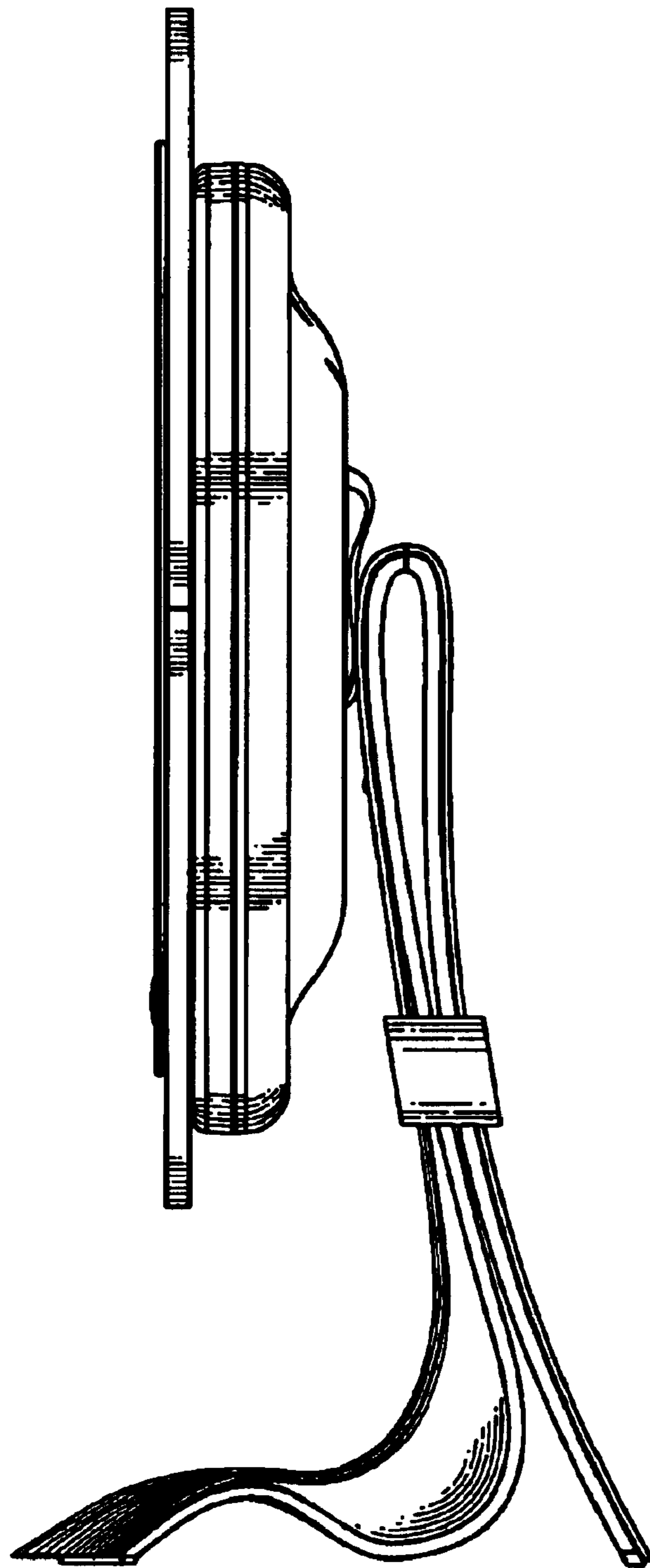


FIG. 5

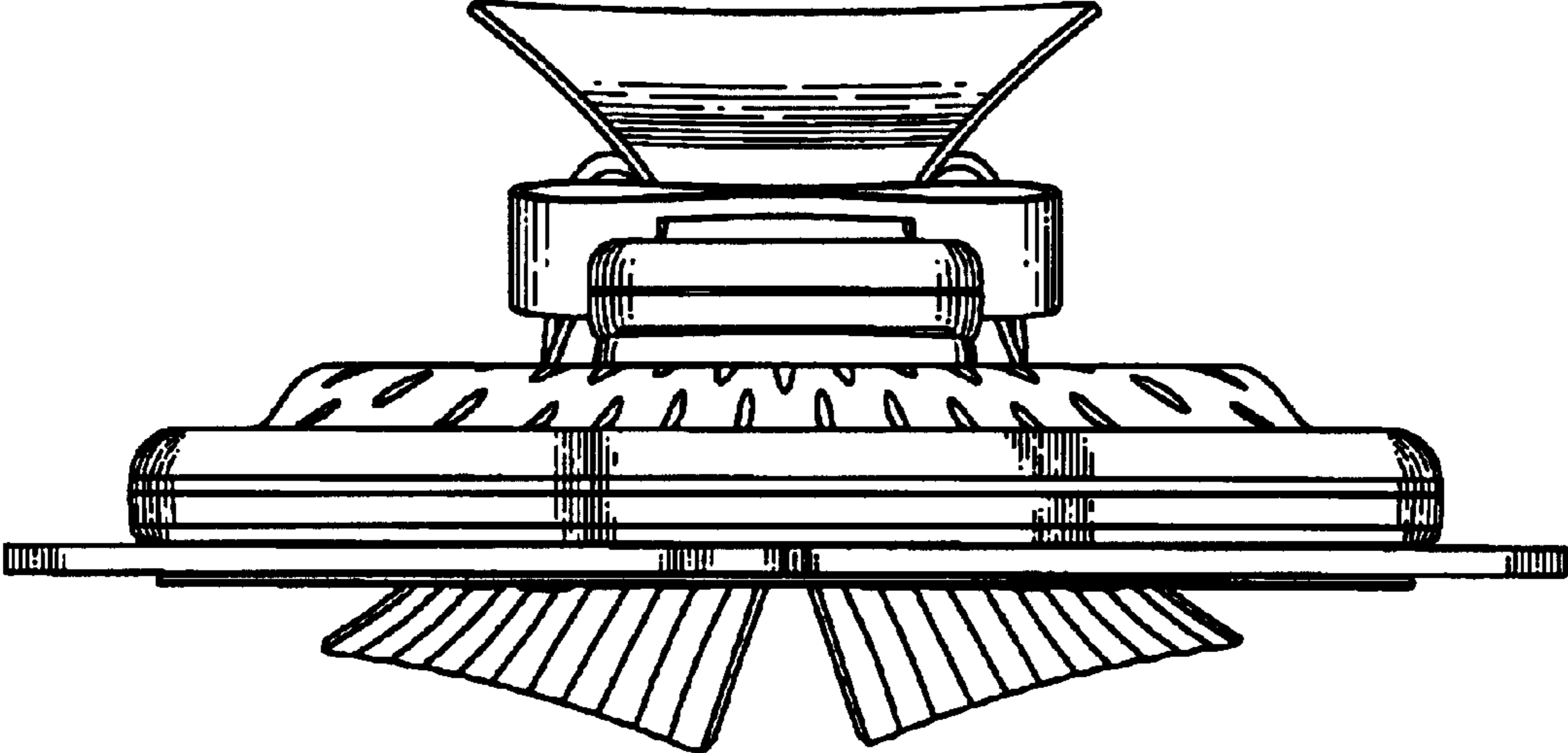


FIG. 6

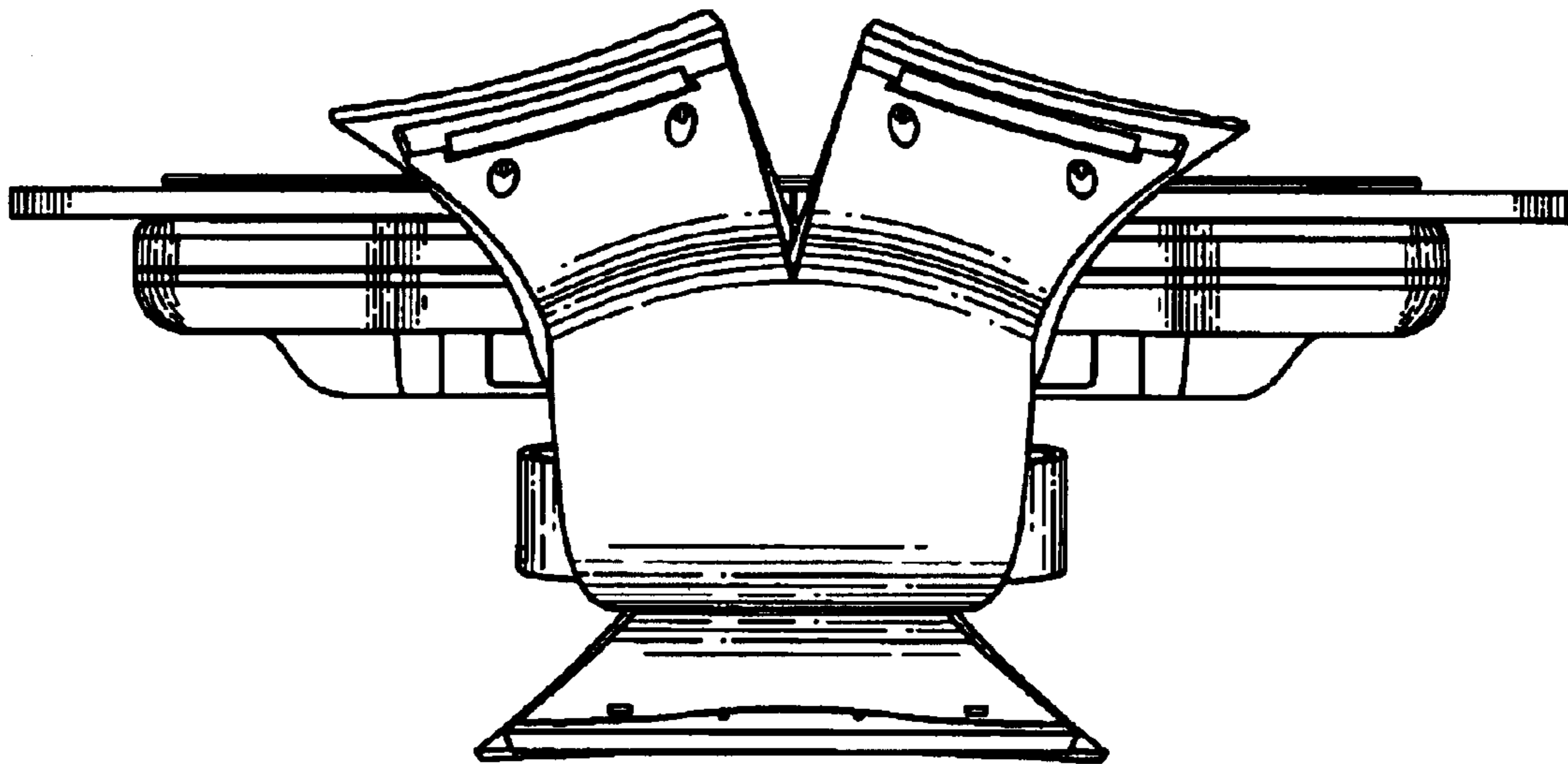


FIG. 7