

US00D496041S1

(12) **United States Design Patent**
Chen

(10) **Patent No.:** **US D496,041 S**

(45) **Date of Patent:** **** Sep. 14, 2004**

(54) **LIQUID CRYSTAL DISPLAY SCREEN**

D462,074 S * 8/2002 Kim D14/375

(75) Inventor: **Arkie Chen, Taipei (TW)**

* cited by examiner

(73) Assignee: **Chenming Mold Ind. Corp., Taipei (TW)**

Primary Examiner—Freda S. Nunn

(74) *Attorney, Agent, or Firm*—Birch, Stewart, Kolasch & Birch, LLP

(**) Term: **14 Years**

(57) **CLAIM**

(21) Appl. No.: **29/193,864**

The ornamental design for “liquid crystal display screen”, as shown and described.

(22) Filed: **Nov. 17, 2003**

DESCRIPTION

(51) **LOC (7) Cl.** **14-02**

(52) **U.S. Cl.** **D14/371**

(58) **Field of Search** D14/371–375,
D14/125–129, 341; 341/12; 345/104, 156,
168, 173; 348/180, 184, 325, 739; 349/1,
2, 11, 62

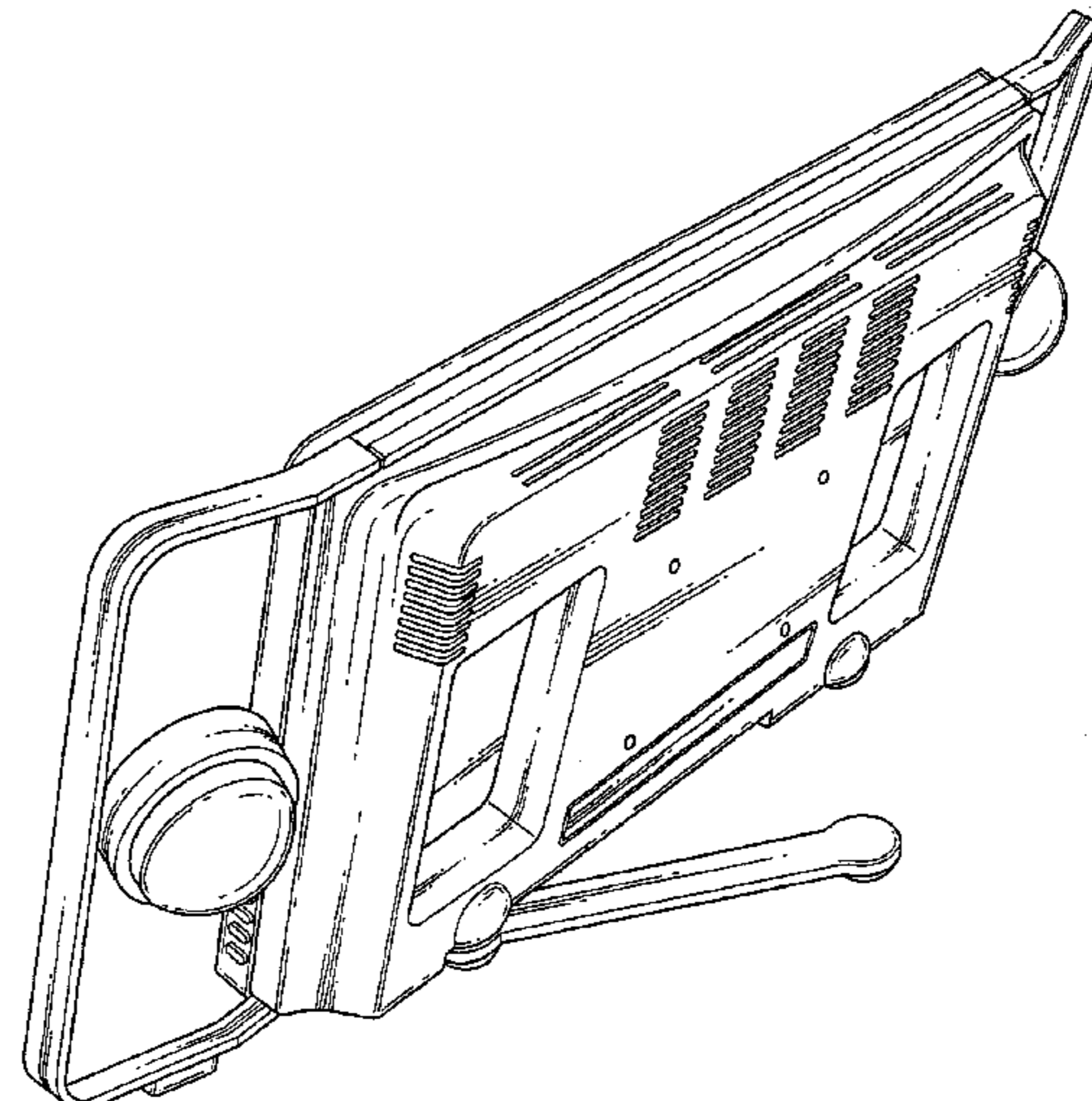
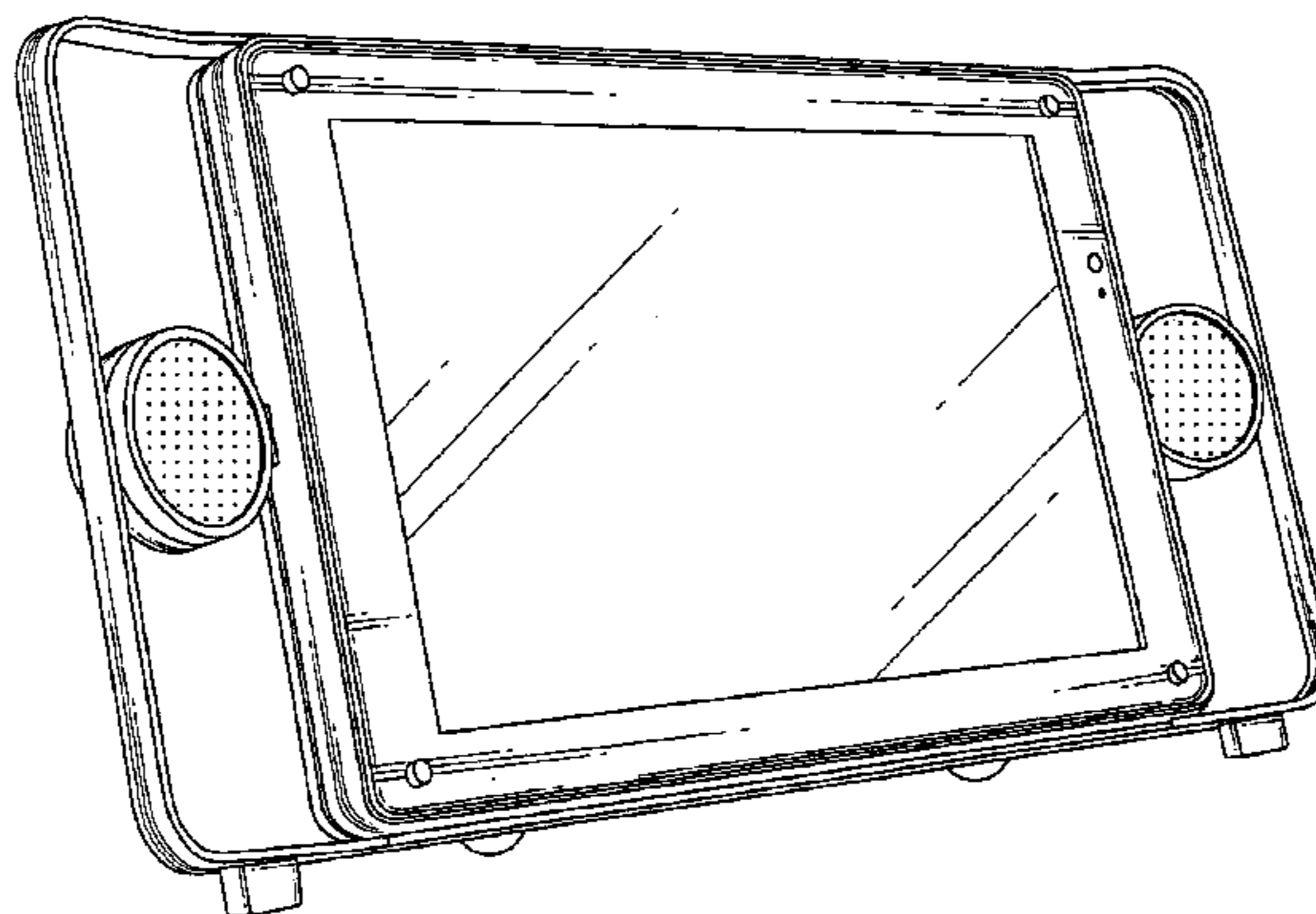
FIG. 1 is a perspective view of “liquid crystal display screen” showing our new design thereof;
FIG. 2 is a right side elevational view thereof;
FIG. 3 is a top plan view thereof;
FIG. 4 is a front side elevational view thereof;
FIG. 5 is a bottom plan view thereof;
FIG. 6 is a left side elevational view thereof;
FIG. 7 is a rear side elevational view thereof; and,
FIG. 8 is a perspective view from another angle thereof.

(56) **References Cited**

U.S. PATENT DOCUMENTS

D429,227 S * 8/2000 Shimizu D14/126
D434,763 S * 12/2000 Jobs et al. D14/375

1 Claim, 6 Drawing Sheets



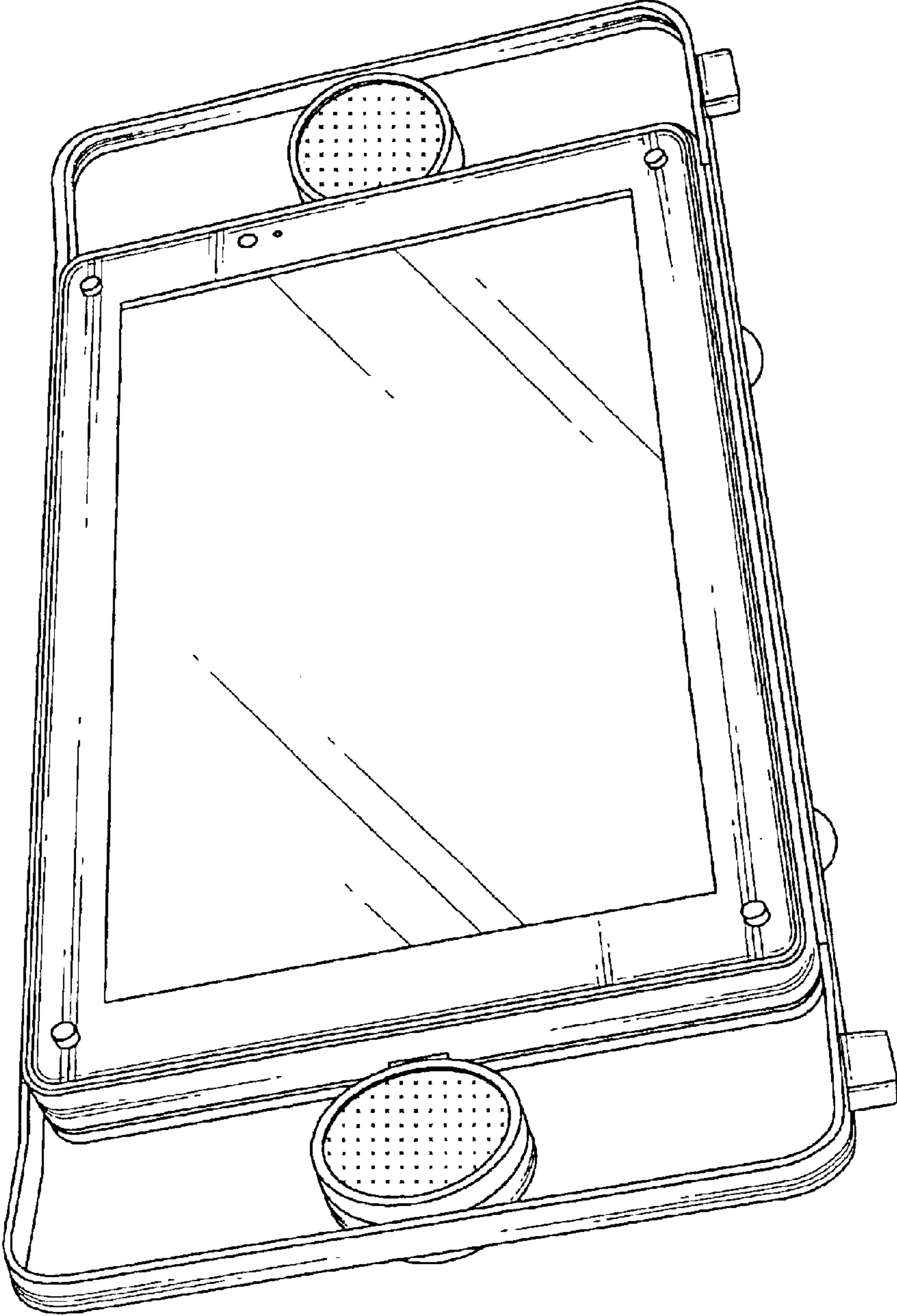


Fig. 1

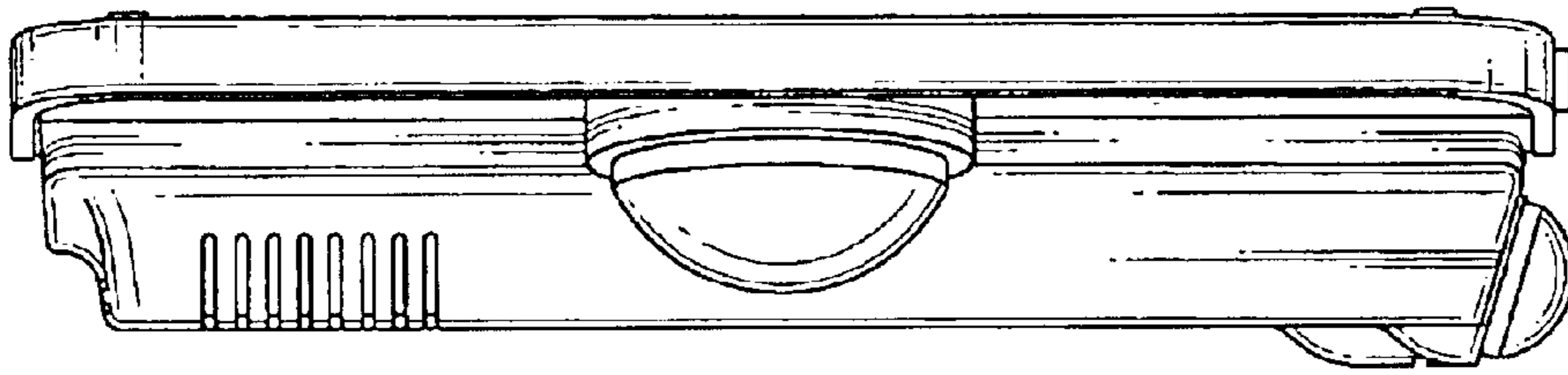


Fig. 6

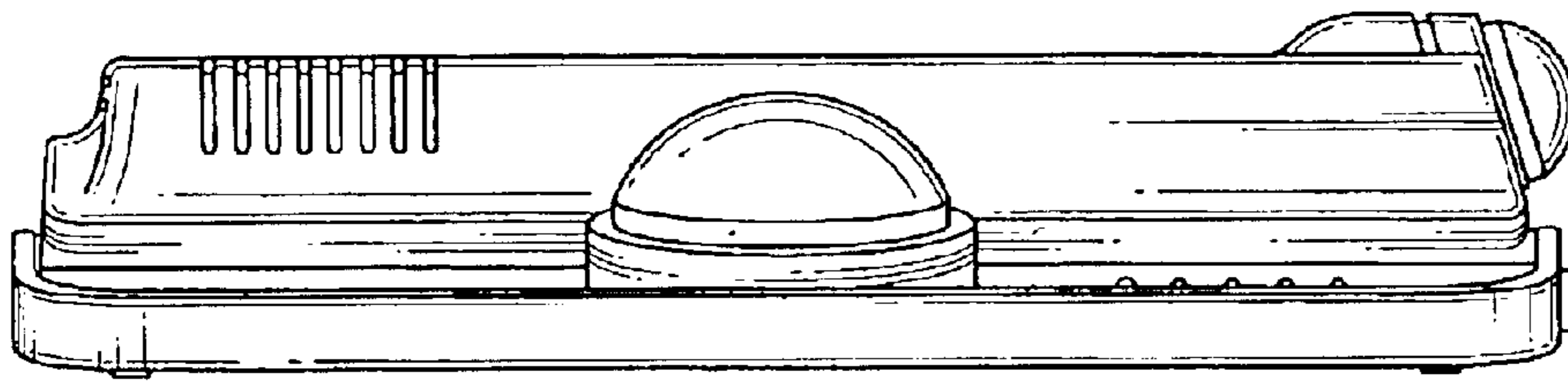


Fig. 2

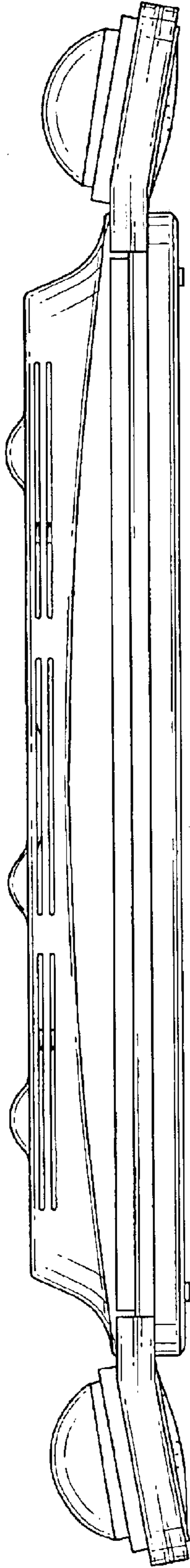


Fig. 3

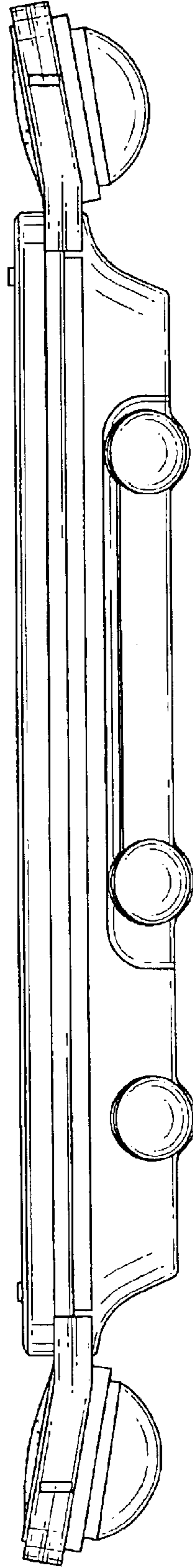


Fig. 5

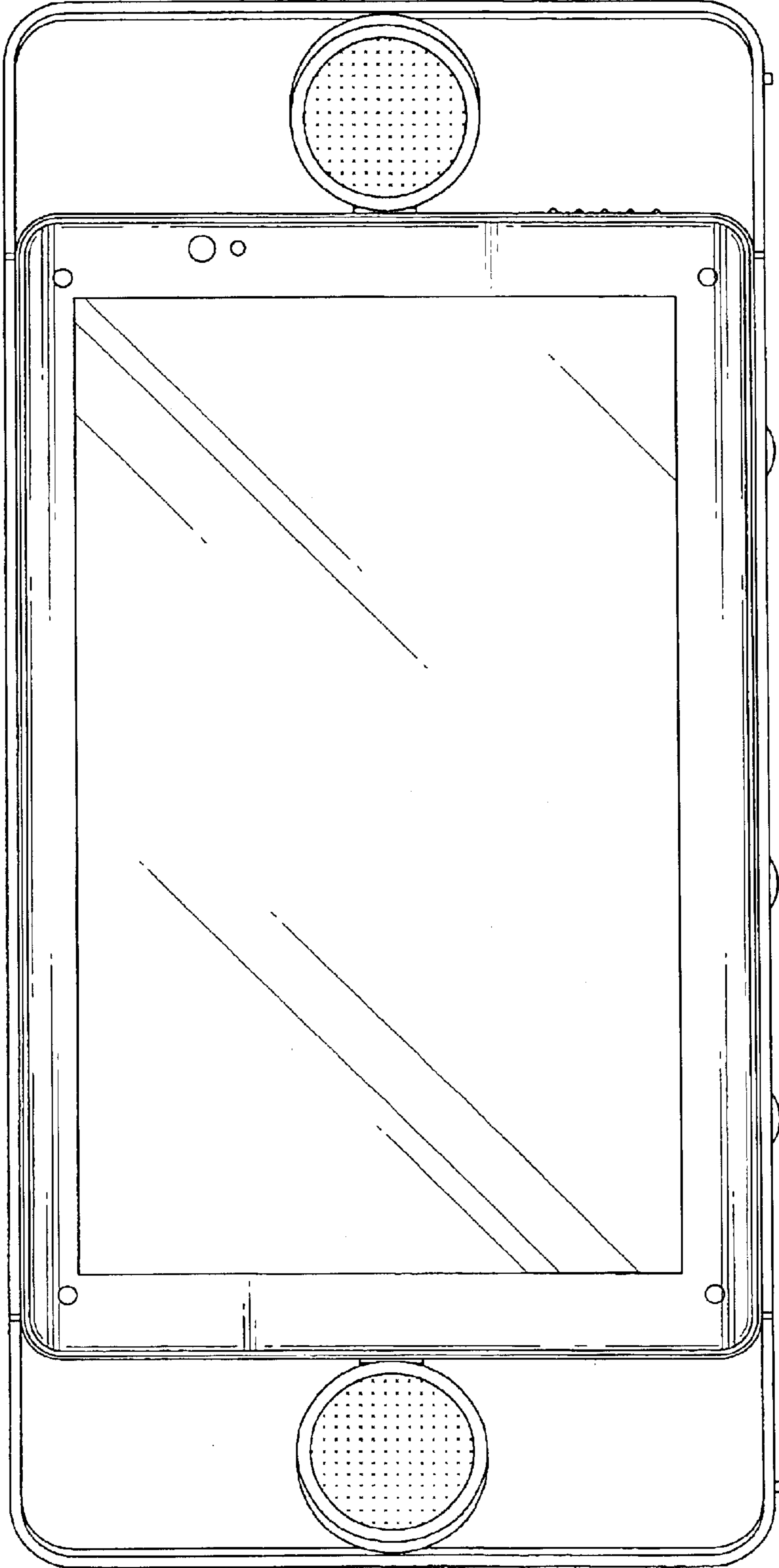


Fig. 4

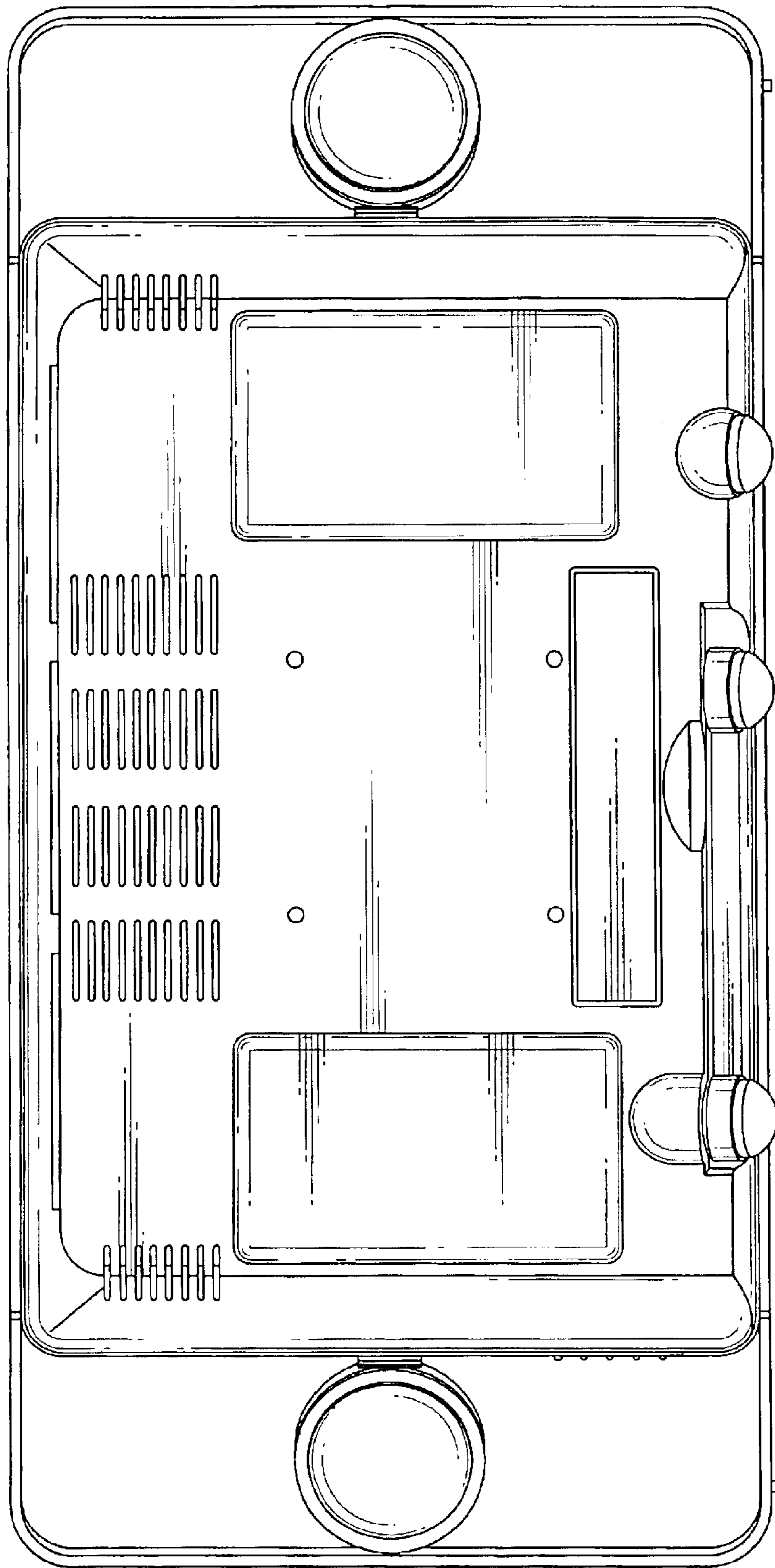


Fig. 7

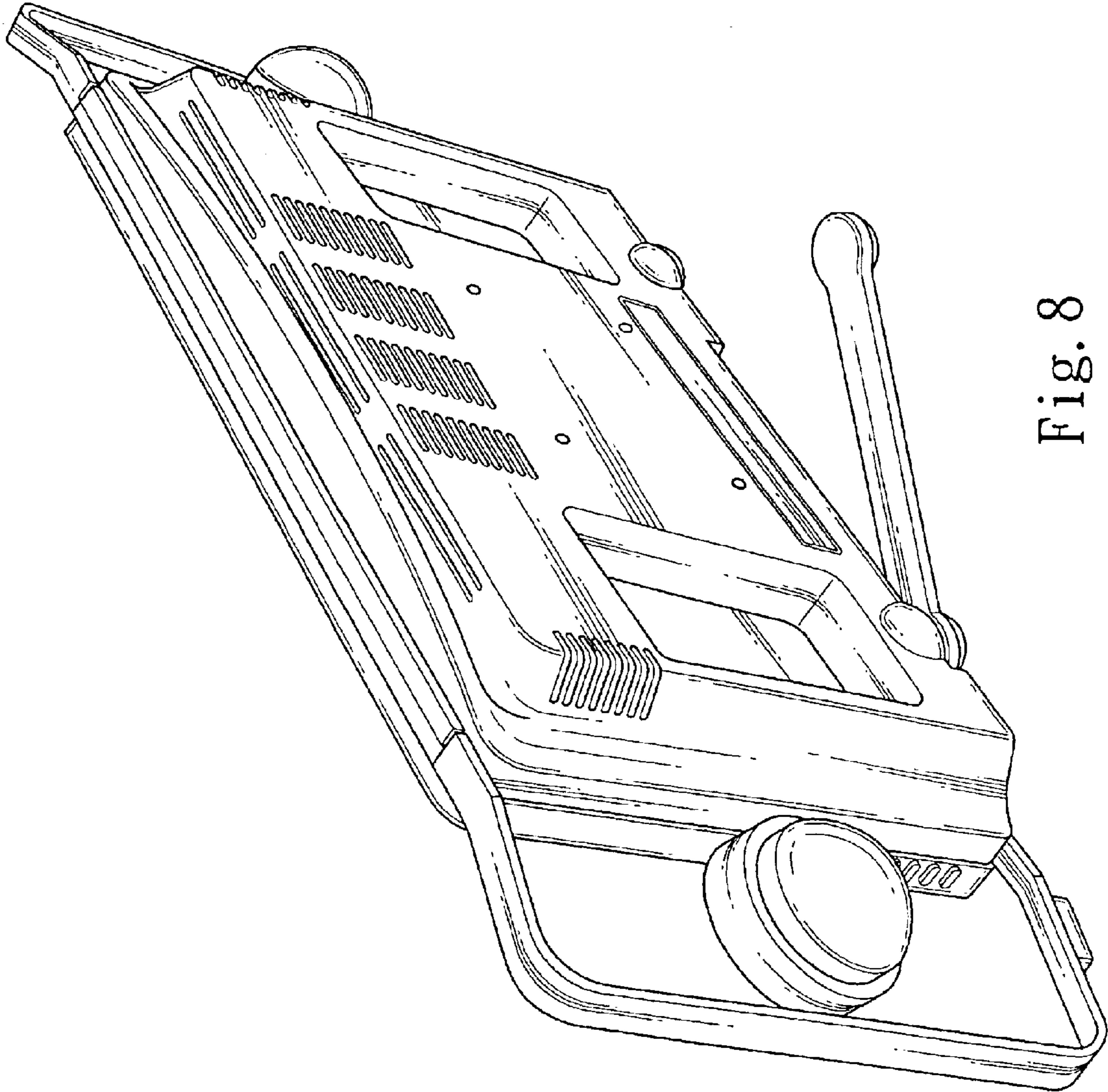


Fig. 8