

US00D496040S1

(12) **United States Design Patent** (10) **Patent No.:** **US D496,040 S**
Jobs et al. (45) **Date of Patent:** **** Sep. 14, 2004**

(54) **DISPLAY DEVICE WITH A MOVEABLE ASSEMBLY**

(75) Inventors: **Steven P. Jobs**, Palo Alto, CA (US); **Bartley K. Andre**, Menlo Park, CA (US); **Michael D. Hillman**, Campbell, CA (US); **Frank Tsai**, San Jose, CA (US); **Michael D. McBroom**, Leonard, TX (US); **Daniel L. McBroom**, Leonard, TX (US); **Brian T. Sudderth**, Leonard, TX (US); **Arthur S. Brigham**, Sunnyvale, CA (US); **Joel F. Jensen**, Redwood City, CA (US); **Robert B. Brownell, Jr.**, Decatur, GA (US); **Sung Kim**, Palo Alto, CA (US); **Anwyl M. McDonald**, Lafayette, CA (US); **Russell C. Mead, Jr.**, Mountain View, CA (US); **Arturo Meuniot**, San Francisco, CA (US); **Jesus Beltran**, Mountain View, CA (US); **Jonathan Ive**, San Francisco, CA (US); **Christopher J. Stringer**, Pacifica, CA (US)

(73) Assignee: **Apple Computer, Inc.**, Cupertino, CA (US)

(**) Term: **14 Years**

(21) Appl. No.: **29/191,267**

(22) Filed: **Oct. 3, 2003**

Related U.S. Application Data

(62) Division of application No. 29/153,043, filed on Nov. 8, 2001, now Pat. No. Des. 486,486.

(51) **LOC (7) Cl.** **14-02**

(52) **U.S. Cl.** **D14/371**

(58) **Field of Search** D14/371, 374, D14/375, 336, 337, 125-129; 248/917-924, 183.3, 184.1, 124.1, 586; 708/272; 348/180, 184, 325, 739, 838; 349/1, 2, 11, 62; 345/104, 156, 168, 173, 87

(56) **References Cited**

U.S. PATENT DOCUMENTS

3,983,386 A	9/1976	Schallenkammer
4,080,530 A	3/1978	Krogsrud
4,447,031 A	5/1984	Souder, Jr. et al.
4,453,204 A	6/1984	Warshawsky
4,459,650 A	7/1984	Pike
4,484,255 A	11/1984	Warshawsky
4,507,043 A	3/1985	Flatau

(List continued on next page.)

OTHER PUBLICATIONS

Scott Hudson, *PC OEMs Get Creative: The iPaq, WebPC, Profile 2, eVectra, and NetVista*, Cahmers In-Stat Group, 3 pages, Apr. 4, 2000.

(List continued on next page.)

Primary Examiner—Freda S. Nunn

(74) *Attorney, Agent, or Firm*—Blakely, Sokoloff, Taylor & Zafman LLP

(57) **CLAIM**

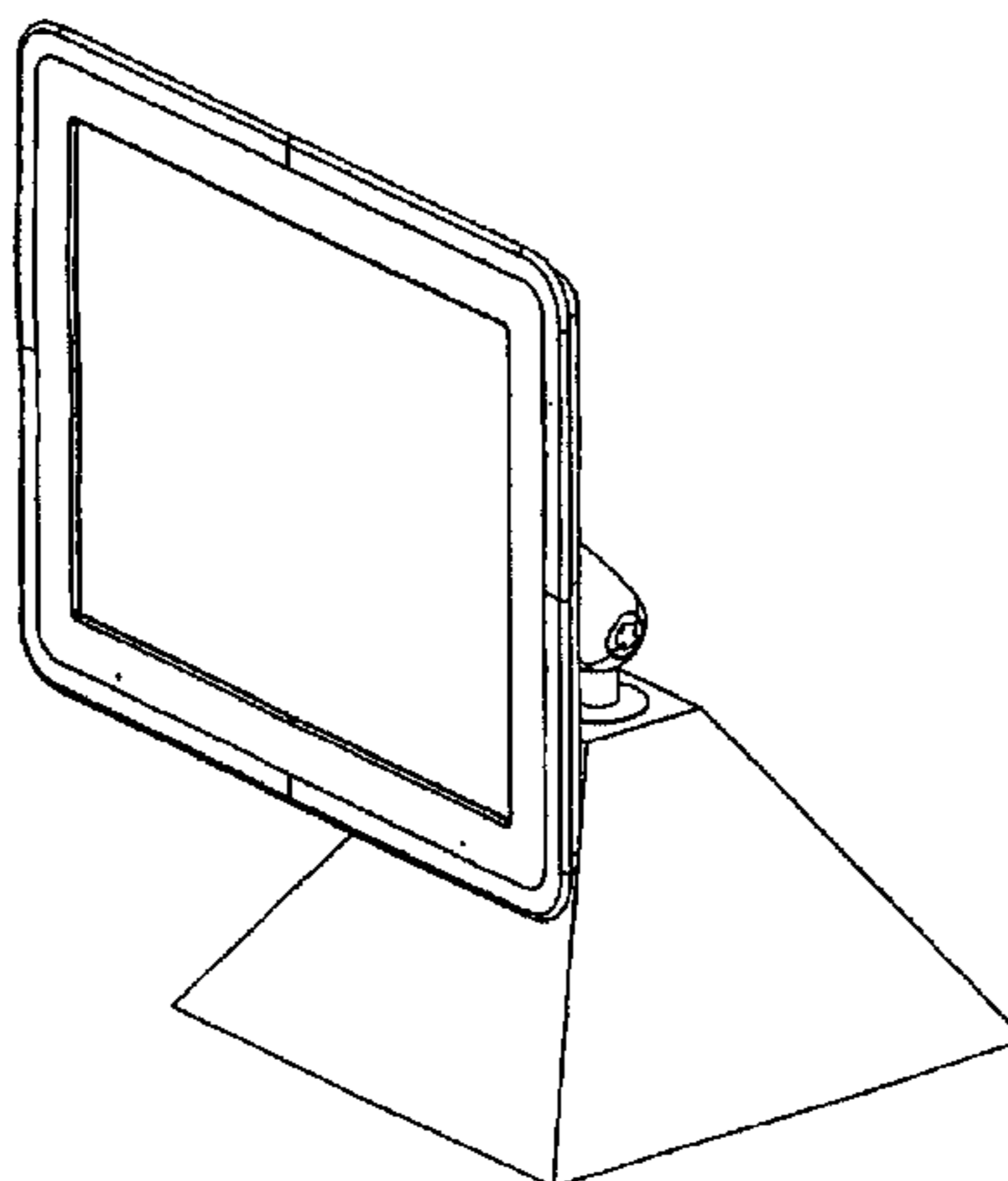
The ornamental design for a display device with a moveable assembly, as shown and described.

DESCRIPTION

FIG. 1 shows a front perspective view of a display device with a moveable assembly attached to a flat panel display and to a pyramidal base, the moveable assembly shown in a first position; and,

FIG. 2 shows a back perspective view of a display device with a moveable assembly attached to a flat panel display and to a pyramidal base, the moveable assembly shown in a second position.

1 Claim, 1 Drawing Sheet



U.S. PATENT DOCUMENTS

4,545,555 A 10/1985 Koch
 4,554,620 A 11/1985 Warshawsky
 4,589,621 A * 5/1986 Hunt et al. 248/586
 4,661,895 A 4/1987 Hull
 4,729,533 A * 3/1988 Hillary et al. 248/184.1
 4,756,204 A 7/1988 Wittwer et al.
 4,834,329 A * 5/1989 Delapp 248/183.3
 4,846,434 A 7/1989 Krogsrud
 4,964,062 A 10/1990 Ubhayakar et al.
 4,989,813 A * 2/1991 Kim et al. 248/184.1
 5,025,359 A 6/1991 Saluja et al.
 5,141,325 A 8/1992 Huang
 5,142,932 A 9/1992 Moya et al.
 5,168,423 A 12/1992 Ohgami et al.
 D337,104 S * 7/1993 Orchard D14/375
 5,413,454 A 5/1995 Movsesian
 5,538,207 A 7/1996 O'Connell et al.
 5,668,570 A 9/1997 Ditzik
 5,815,735 A 9/1998 Baker
 5,887,837 A 3/1999 Johns et al.
 5,918,841 A 7/1999 Sweere et al.
 5,923,528 A 7/1999 Lee
 D414,471 S 9/1999 Poole et al.
 5,992,809 A 11/1999 Sweere et al.
 6,015,120 A 1/2000 Sweere et al.
 6,019,332 A 2/2000 Sweere et al.
 6,061,104 A 5/2000 Evanicky et al.
 D428,411 S 7/2000 Poole et al.
 6,105,919 A 8/2000 Min
 6,179,263 B1 1/2001 Rosen et al.
 6,199,810 B1 3/2001 Wu et al.
 6,216,989 B1 4/2001 Shioya et al.
 6,220,741 B1 4/2001 Kawachi et al.
 6,233,138 B1 5/2001 Osgood
 6,256,017 B1 7/2001 Bullister
 6,268,998 B1 7/2001 Cho
 6,304,431 B1 10/2001 Kim
 6,317,316 B1 11/2001 Bentley et al.
 D453,509 S 2/2002 Kazamaki
 D486,486 S * 2/2004 Jobs et al. D14/371

OTHER PUBLICATIONS

Dan Littman, *Compaq iPag Home Internet Appliance IA-1*, CNET Review, 2 pages, Sep. 5, 2001.
 Compaq, *iPAQ Home Internet Appliance*, Screen dumps, 3 pages, (undated).
 Dell Computer Corporation, *Webpc photos featured on enclosed CD*, 2 pages, (undated).
 Computing Review.com, *Gateway Profile 2 500cx*, 1 page, (undated).
 Davis English, *Gateway Profile 3cx Pentium III 933 MHz*, ZDNet, 2 pages, Mar. 16, 2001.
 Gateway Inc., *Gateway Profile 3 Product Tour*, Screen dumps, 4 pages, (undated).
 Bill O'Brien, *IBM NetVista X41*, CNET Review, 2 pages, Nov. 7, 2001.
 Bill O'Brien, *IBM Netvista X40i Pentium III 800 MHz*, ZDNet Review, 2 pages, Mar. 13, 2001.
 IBM, *Thin Client Zero Footprint Option*, 1 page, (undated).
 IBM, *IBM NetVista X40*, 3 pages, Oct. 2000 & Sep. 2001.
 IBM, *IBM Introduces New NetVista Brand of Personal Computing Devices*, Press Releases, 2 pages, Mar. 13, 2000.
 IBM, *IBM Announces New NetVista Computers*, Press Releases, 3 pages, May 8, 2000.
 IBM, *IBM NetVista: X Series*, Screen dump, 13 pages (undated).
 Asa Somers, *Gateway Profile 2: Trendy and Easy*, Computer Shopper, Feb. 7, 2000.
 Gateway Inc., *Gateway Profile 2—Main view, Rear view, Left view, Right View, Bottom View, Gateway eSupport*, 11 pages, (undated).
 Ergo In Demand, Inc., *Mounting Solutions*, 1 page, (undated).
 Ergo In Demand, Inc., *The JetMaster LCD Arms*, 1 page, (undated).

* cited by examiner

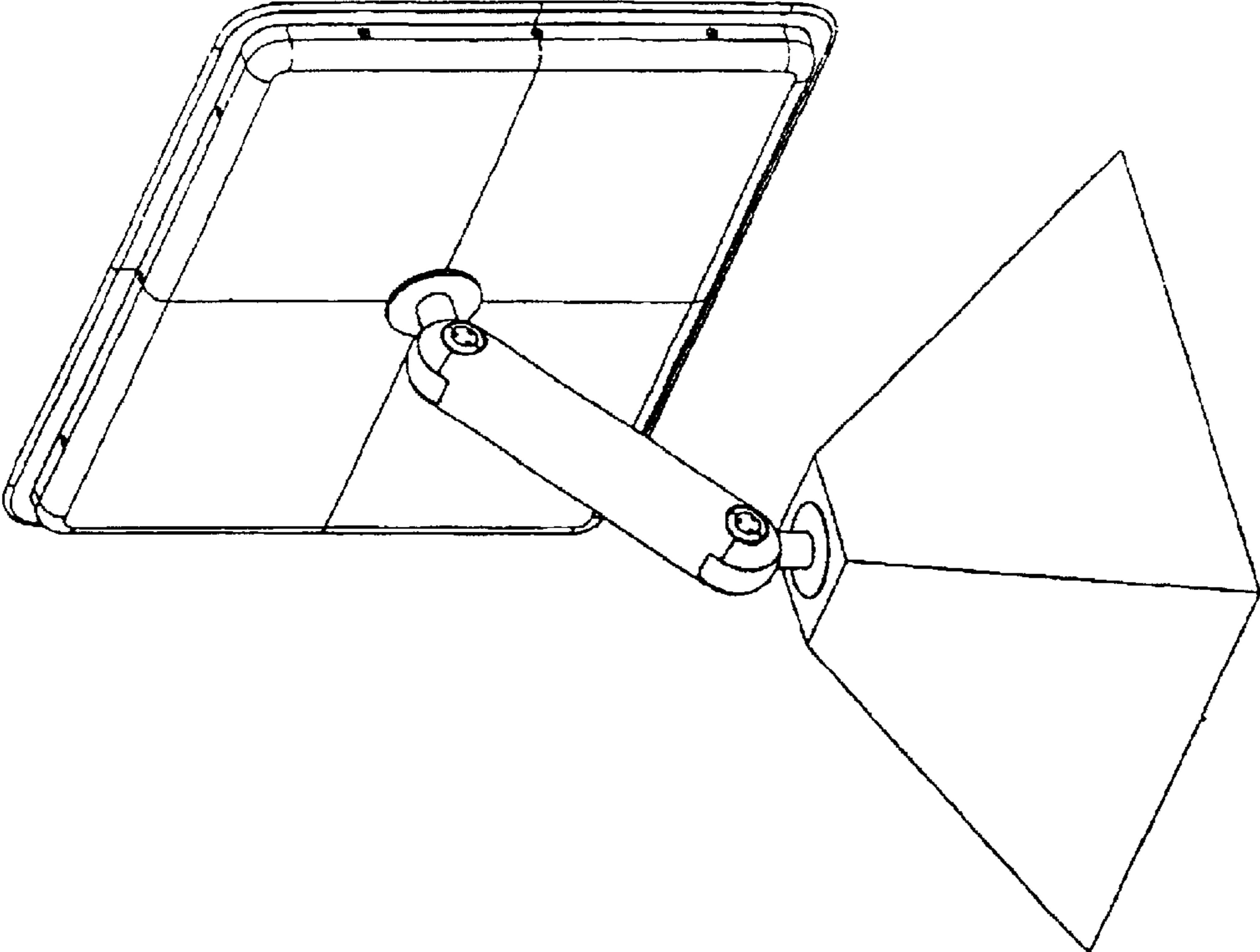


FIG. 2

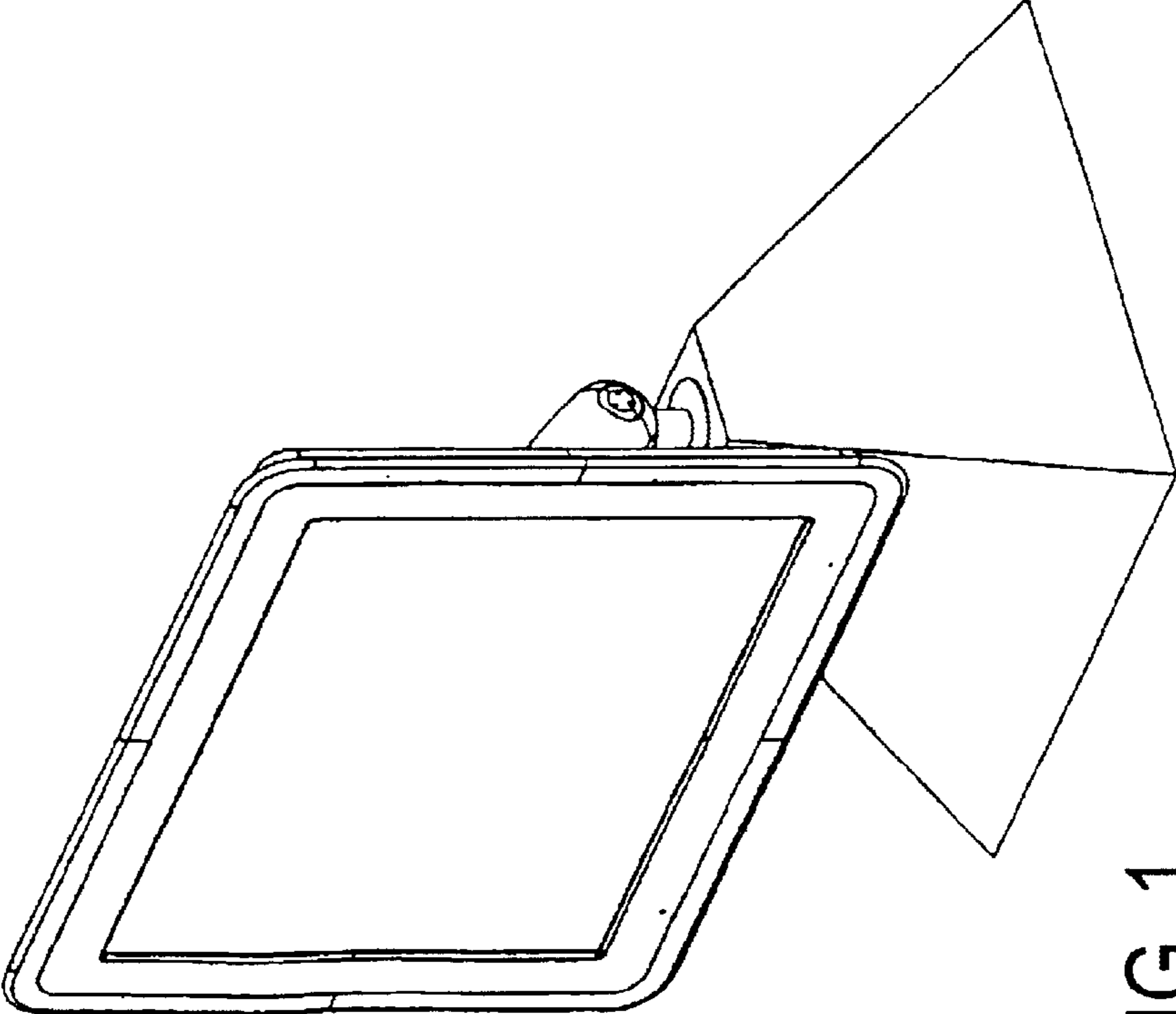


FIG. 1