

US00D496039S1

(12) **United States Design Patent**
Kerrigan et al.

(10) **Patent No.: US D496,039 S**
(45) **Date of Patent: ** Sep. 14, 2004**

(54) **CAM LATCH ASSEMBLY FOR A
COMPUTER SYSTEM**

(75) Inventors: **Brian Michael Kerrigan**, Cary, NC
(US); **Gerard Francis Muenkel**,
Raleigh, NC (US); **Charles William
Piper**, Burlington, NC (US)

(73) Assignee: **International Business Machines
Corporation**, Armonk, NY (US)

(**) Term: **14 Years**

(21) Appl. No.: **29/188,205**

(22) Filed: **Aug. 14, 2003**

(51) **LOC (7) Cl.** **14-02**

(52) **U.S. Cl.** **D14/367**

(58) **Field of Search** D14/356, 363,
D14/496, 365-368; D13/162, 184, 199;
360/99.01-99.12; 361/680-686, 690-696,
715, 759; 292/199; 250/239

(56) **References Cited**

U.S. PATENT DOCUMENTS

4,914,550 A * 4/1990 Filsinger et al. 361/715

5,359,492 A * 10/1994 Porter 361/683
D441,375 S * 5/2001 Hisatsune et al. D14/496
6,356,441 B1 * 3/2002 Claprod 361/685
6,394,509 B1 * 5/2002 Kurek, III 292/199
D458,924 S * 6/2002 Tsuyuki et al. D14/367
6,456,501 B1 * 9/2002 Rubenstein et al. 361/759
6,483,107 B1 * 11/2002 Rabinovitz et al. 250/239
6,519,140 B1 * 2/2003 Kim et al. 361/683

* cited by examiner

Primary Examiner—Freda S. Nunn

(74) *Attorney, Agent, or Firm*—James R. Nock

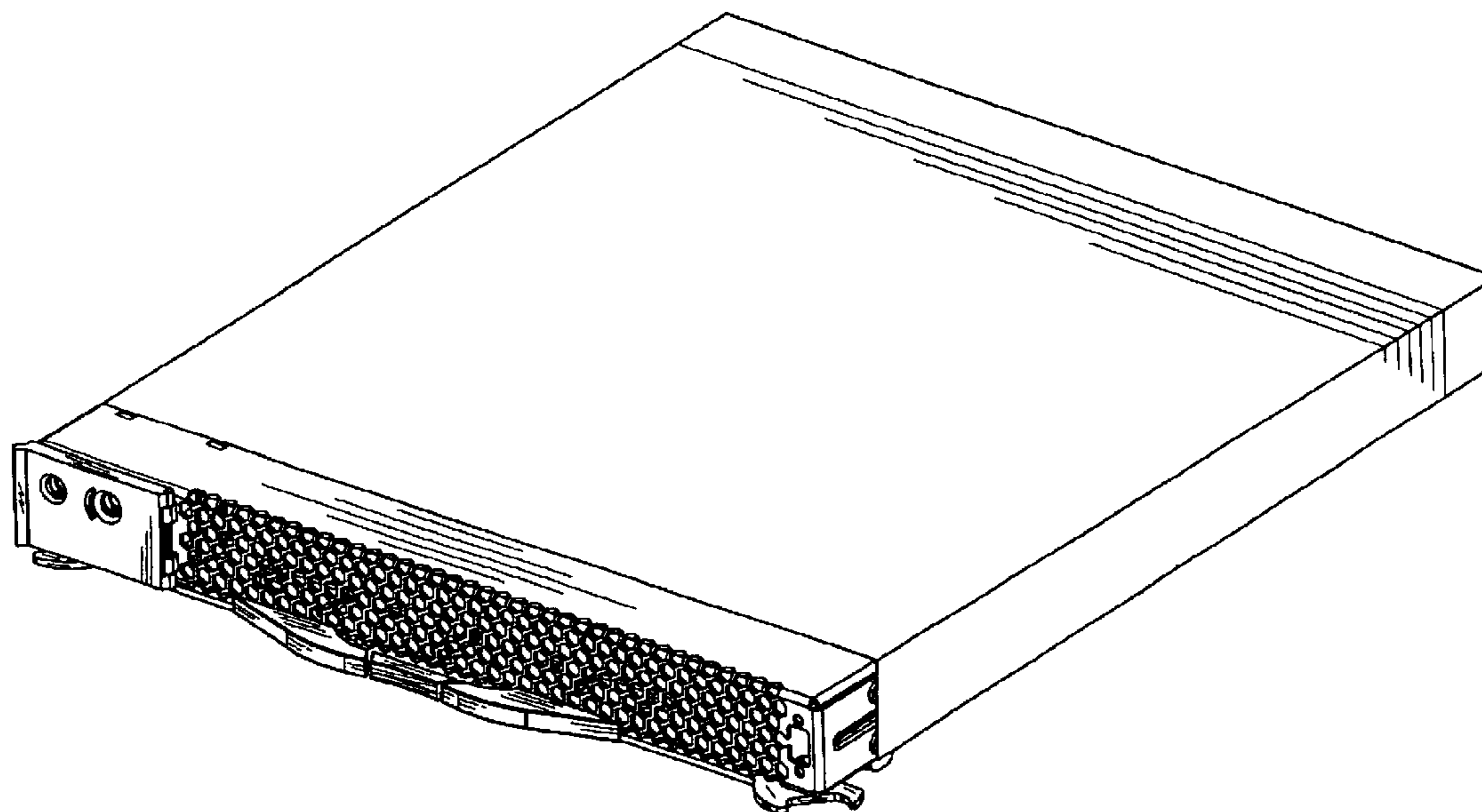
(57) **CLAIM**

The ornamental design of a cam latch assembly for a computer system, as shown and described.

DESCRIPTION

FIG. 1 is a right, front isometric view of a cam latch assembly for a computer system, showing our new design; FIG. 2 is a left, front isometric view thereof; FIG. 3 is a front view thereof; FIG. 4 is a top view thereof; FIG. 5 is a bottom view thereof; and, FIG. 6 is a right view thereof.

1 Claim, 6 Drawing Sheets



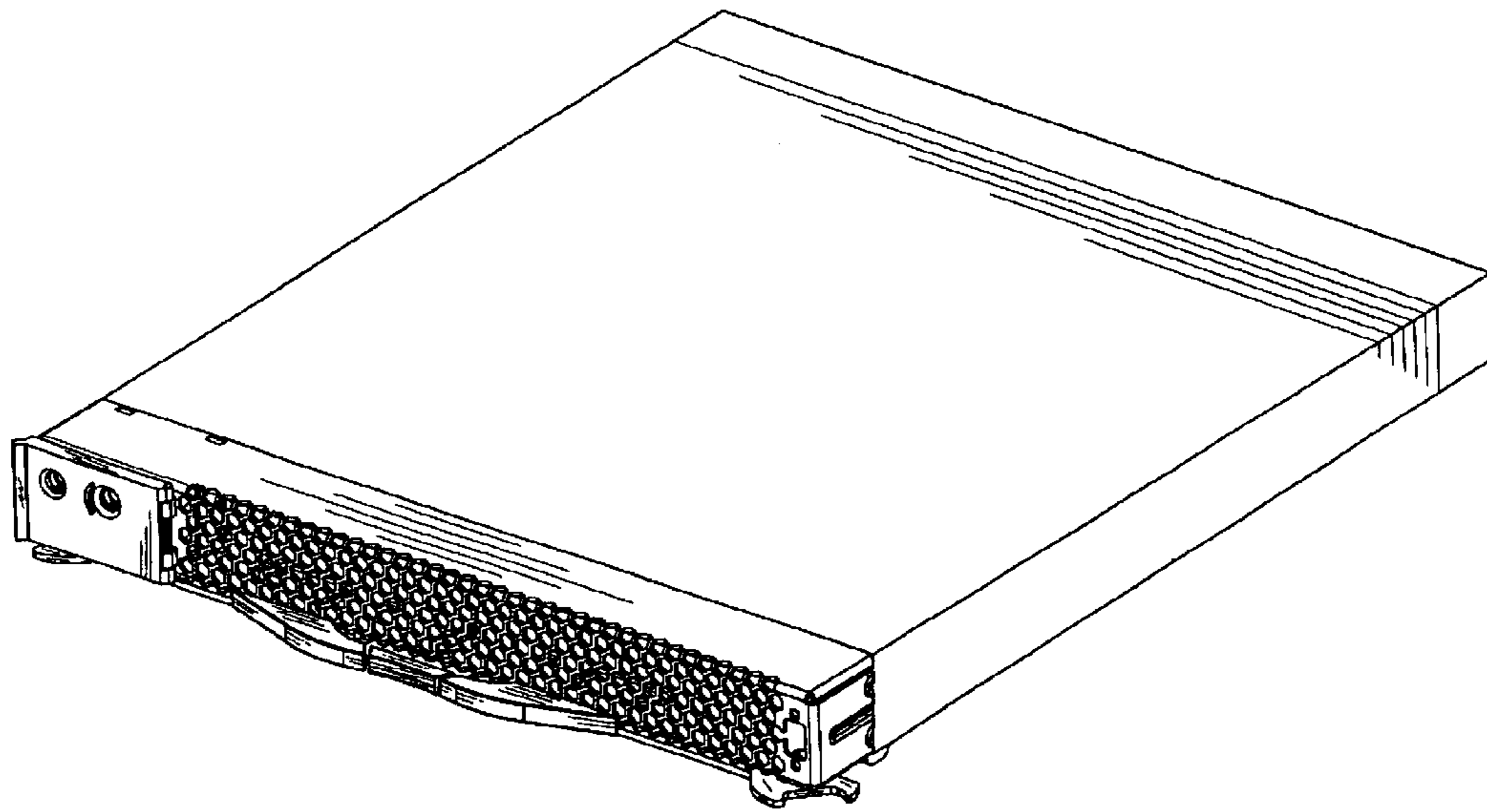


Fig. 1

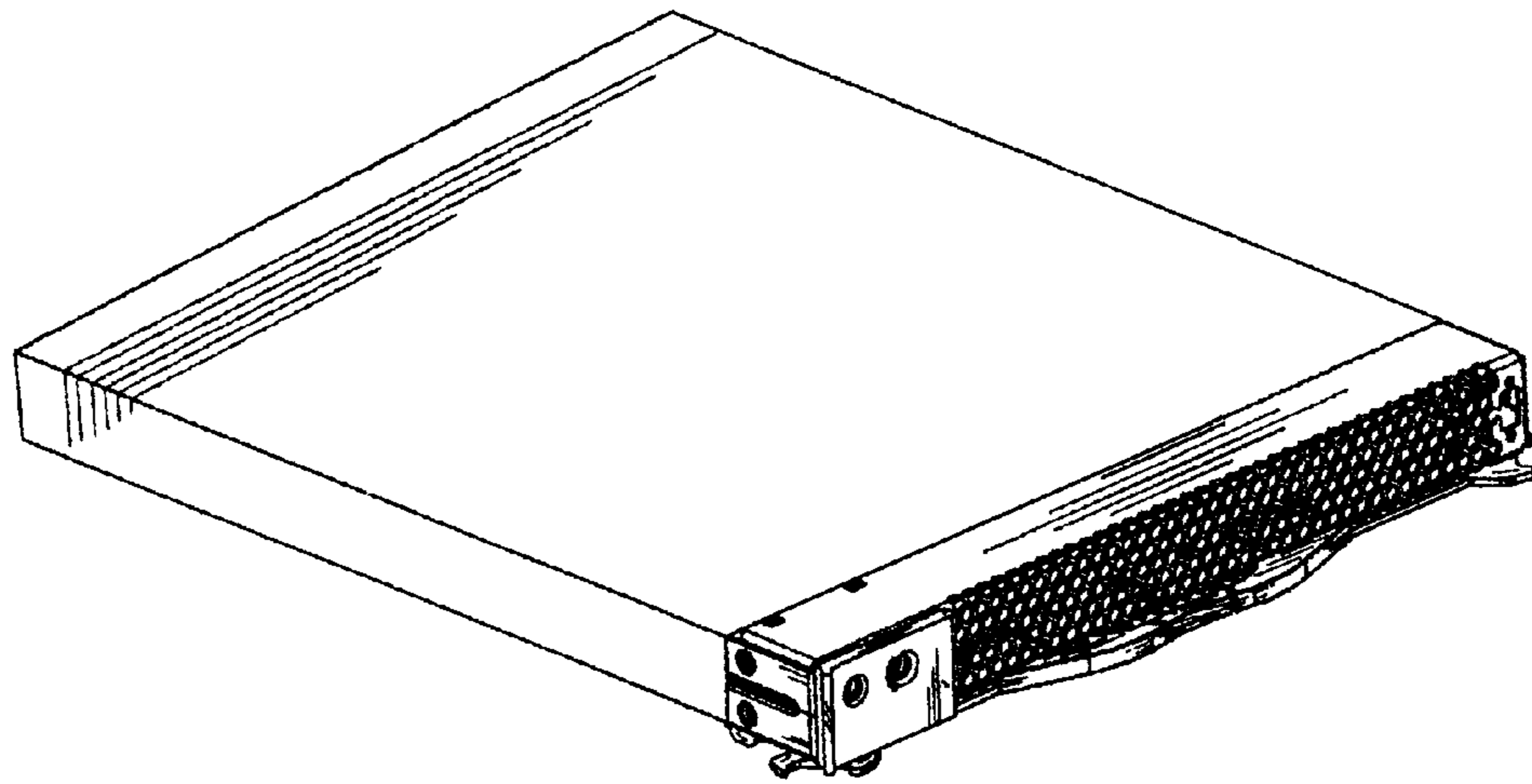


Fig. 2

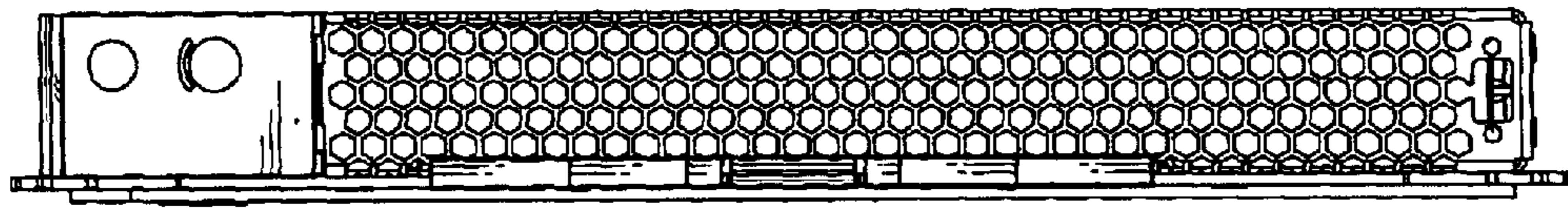


Fig. 3

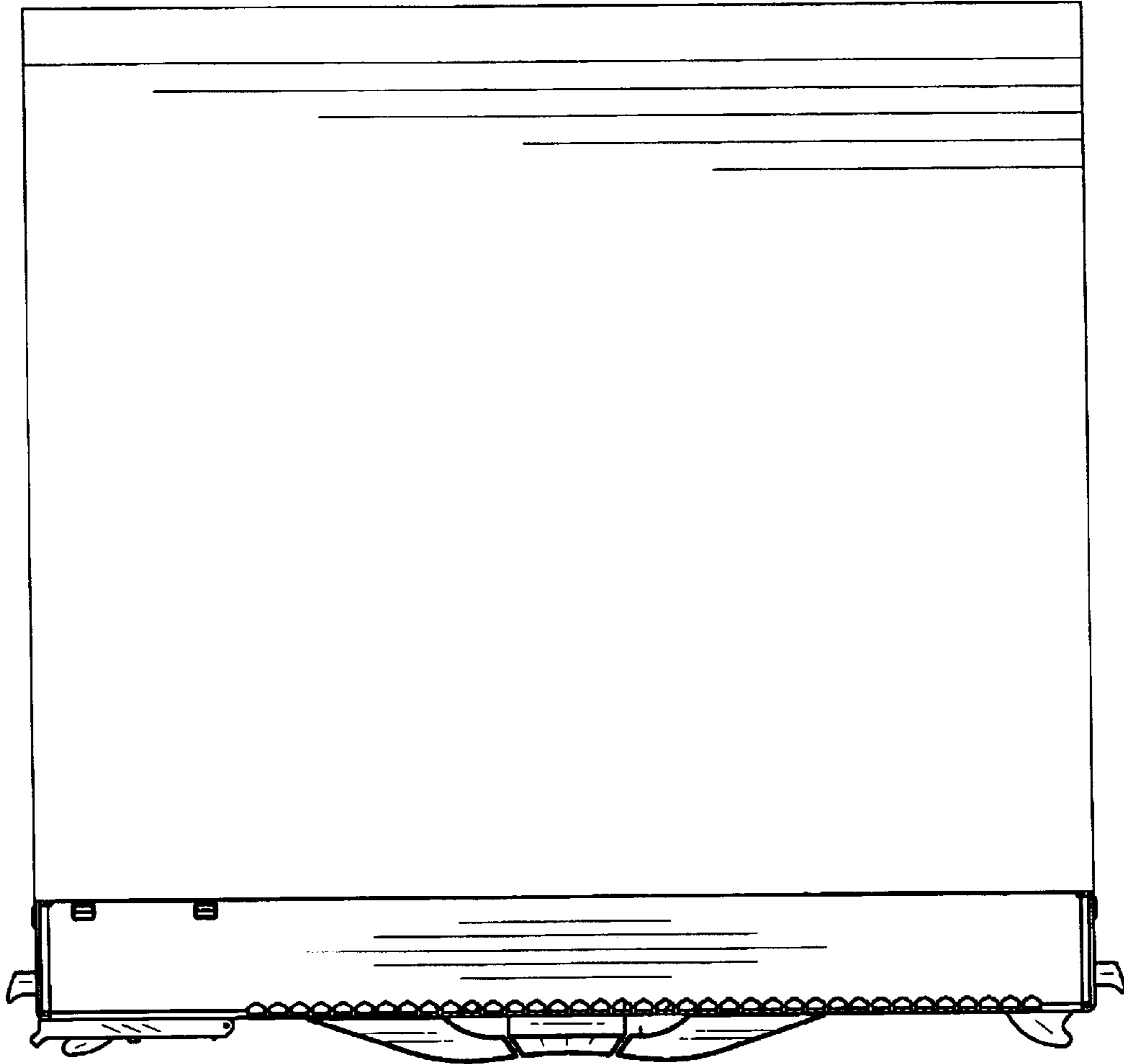


Fig. 4

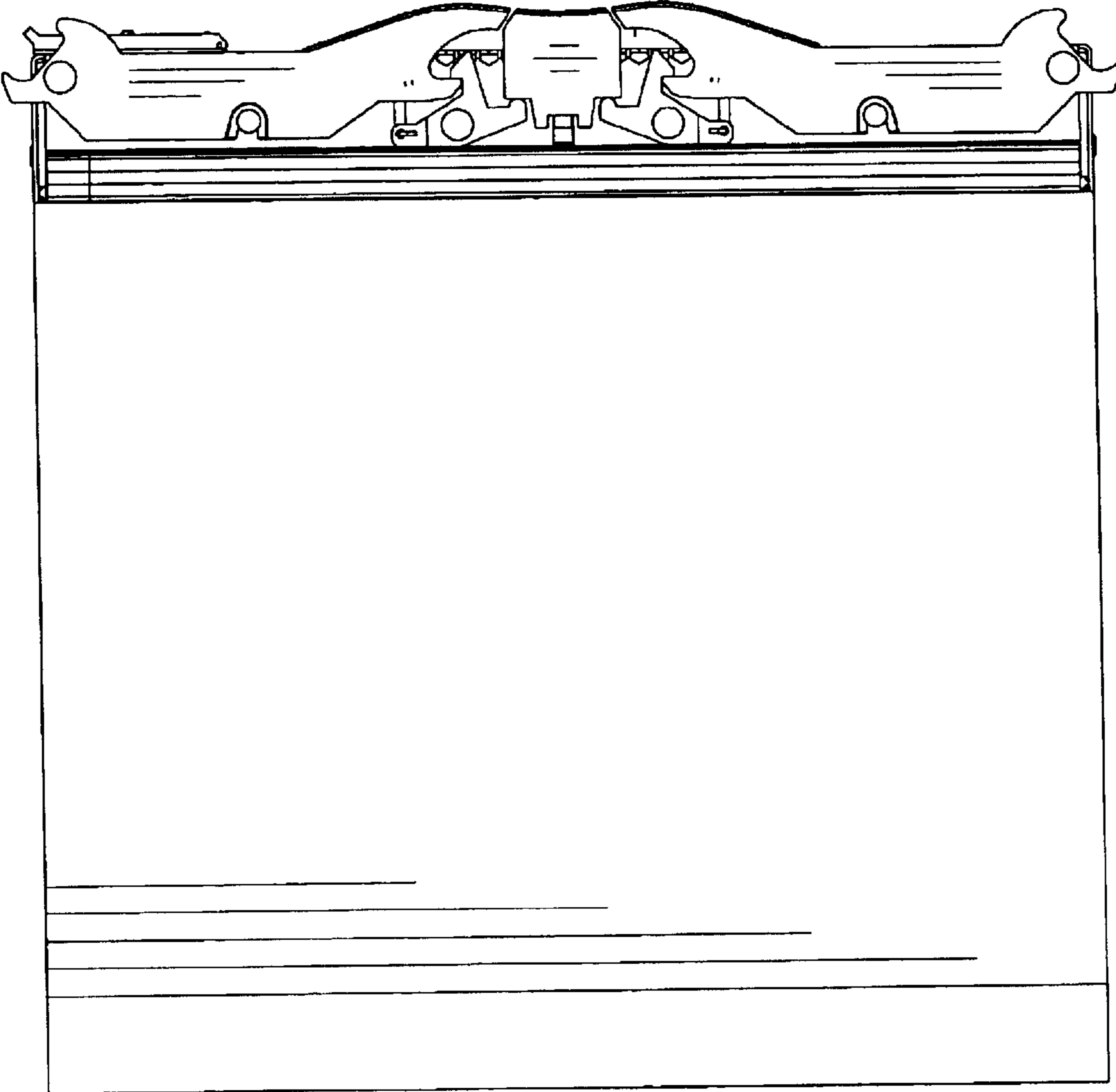


Fig. 5

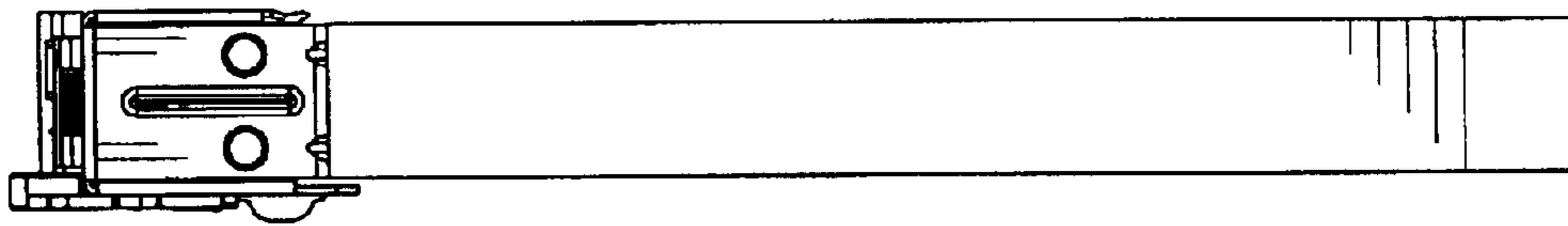


Fig. 6