

US00D496038S1

(12) **United States Design Patent**  
**Floyd**

(10) **Patent No.:** **US D496,038 S**  
(45) **Date of Patent:** **\*\* Sep. 14, 2004**

(54) **FREE-STANDING DISK COMPUTER CHASSIS**

D464,347 S 10/2002 Floyd  
D469,093 S \* 1/2003 Lin ..... D14/375  
D472,552 S \* 4/2003 Borsboom et al. .... D14/375

(75) Inventor: **Donovan Floyd**, Plano, TX (US)

\* cited by examiner

(73) Assignee: **M & P Ventures, Inc.**, Dallas, TX (US)

*Primary Examiner*—Freda S. Nunn

(\*\*) Term: **14 Years**

(74) *Attorney, Agent, or Firm*—Jackson Walker L.L.P.

(21) Appl. No.: **29/191,970**

(57) **CLAIM**

(22) Filed: **Oct. 16, 2003**

The ornamental design for a “free-standing disk computer chassis,” as shown and described.

(51) **LOC (7) Cl.** ..... **14-02**

**DESCRIPTION**

(52) **U.S. Cl.** ..... **D14/363**; D14/356

FIG. 1 is a front perspective view of the free-standing disk computer chassis;

(58) **Field of Search** ..... D14/348, 356,

FIG. 2 is a bottom view thereof;

D14/371, 363, 302, 358, 375, 130; D13/162,

FIG. 3 is a front view thereof;

147, 184, 199; 312/223.1–223.3, 194; 360/99.01–99.12;

FIG. 4 is a right side view thereof;

361/690–696, 683; 369/34, 36; D21/333

FIG. 5 is a back view thereof;

(56) **References Cited**

FIG. 6 is a left side view thereof;

**U.S. PATENT DOCUMENTS**

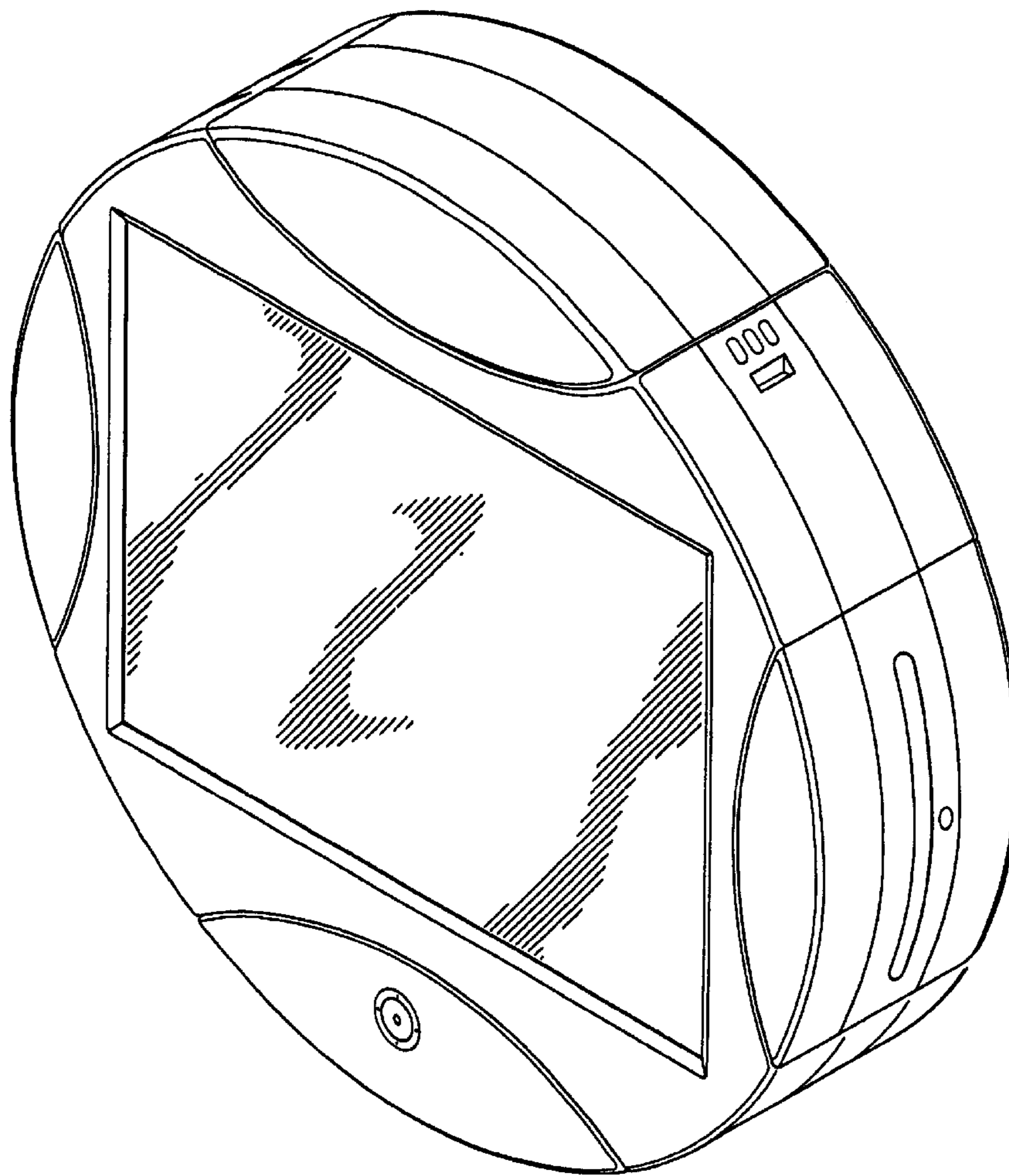
FIG. 7 is a top view thereof; and,

D434,399 S \* 11/2000 Lanet ..... D14/130

FIG. 8 is a rear perspective view thereof.

D456,807 S 5/2002 Floyd

**1 Claim, 4 Drawing Sheets**



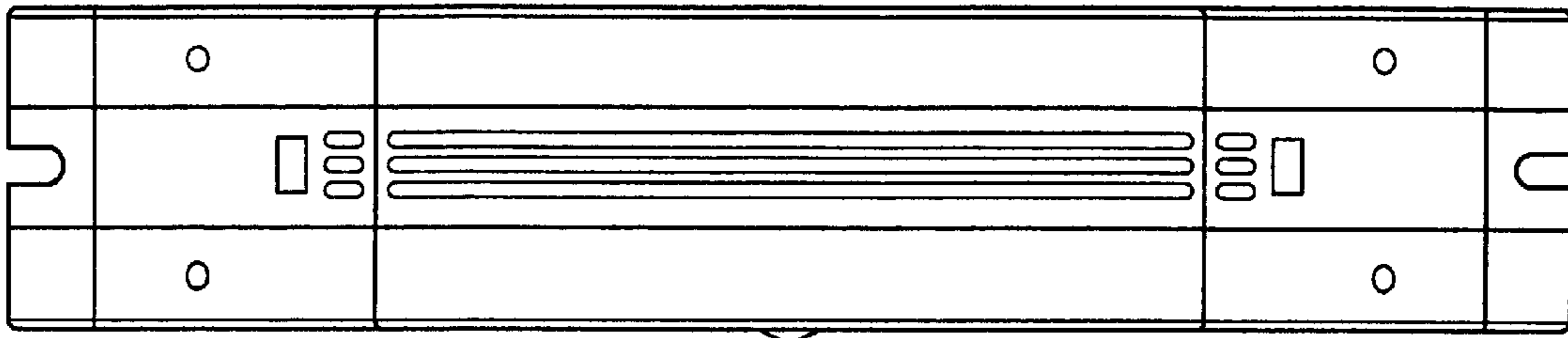


FIG. 2

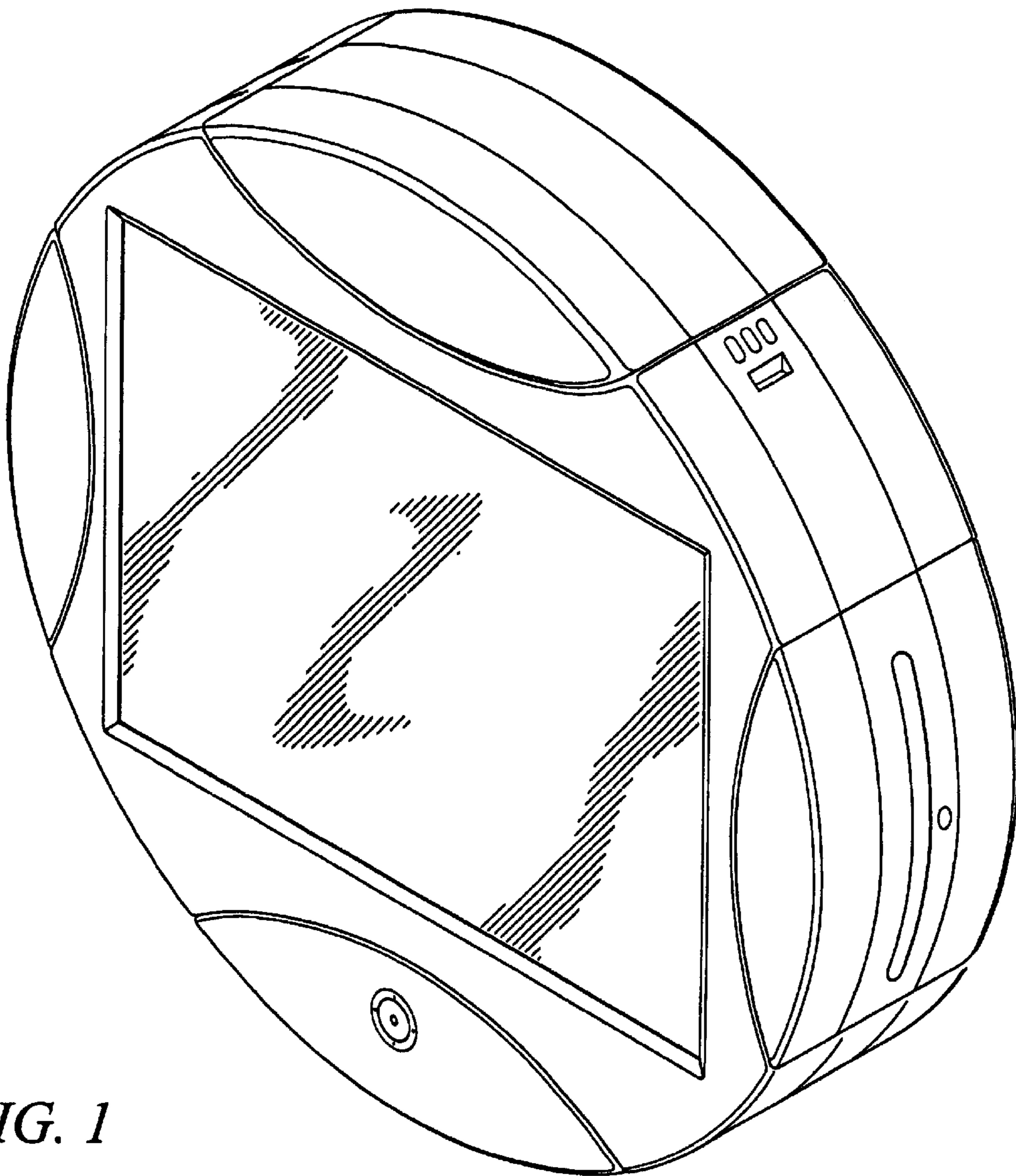


FIG. 1

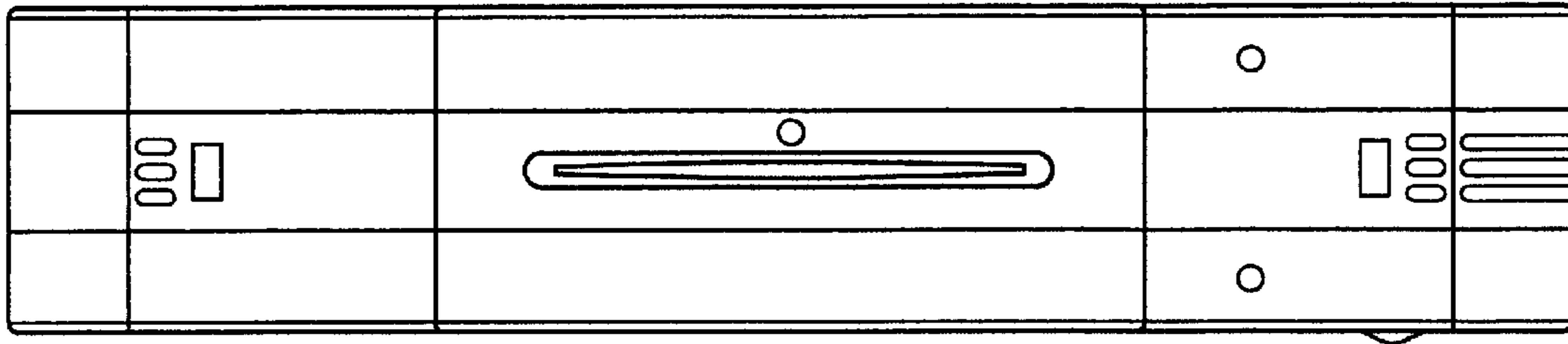


FIG. 4

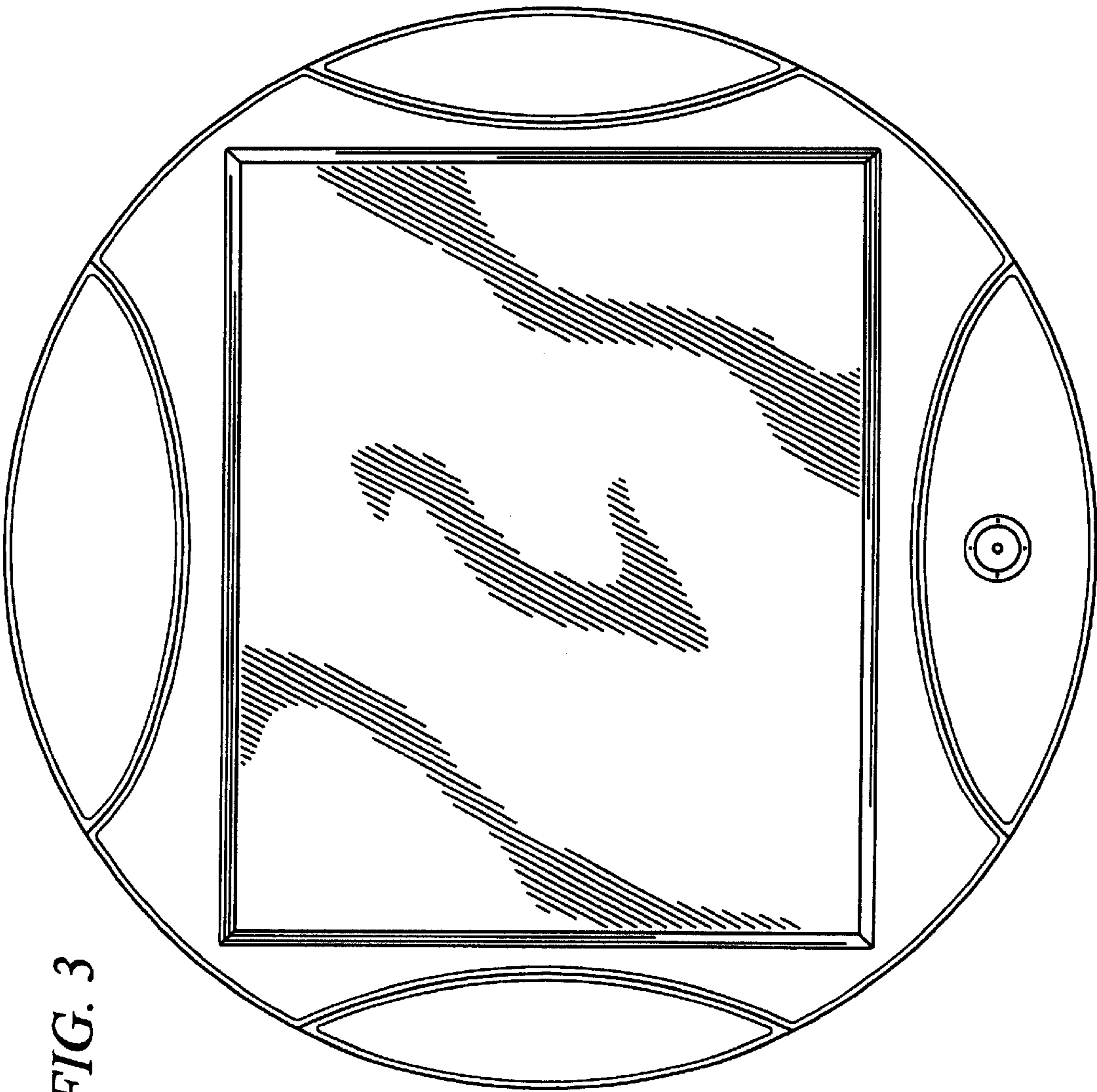


FIG. 3



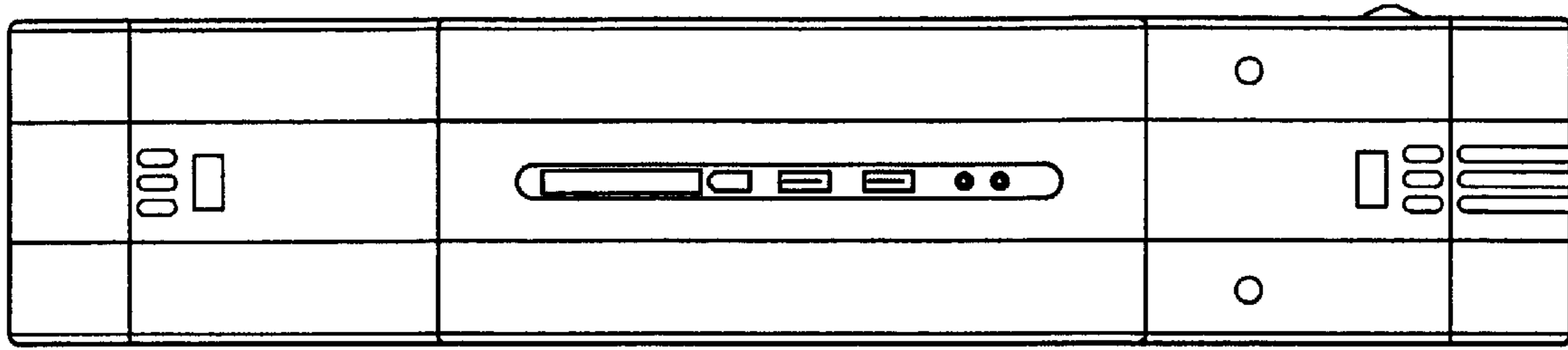


FIG. 6

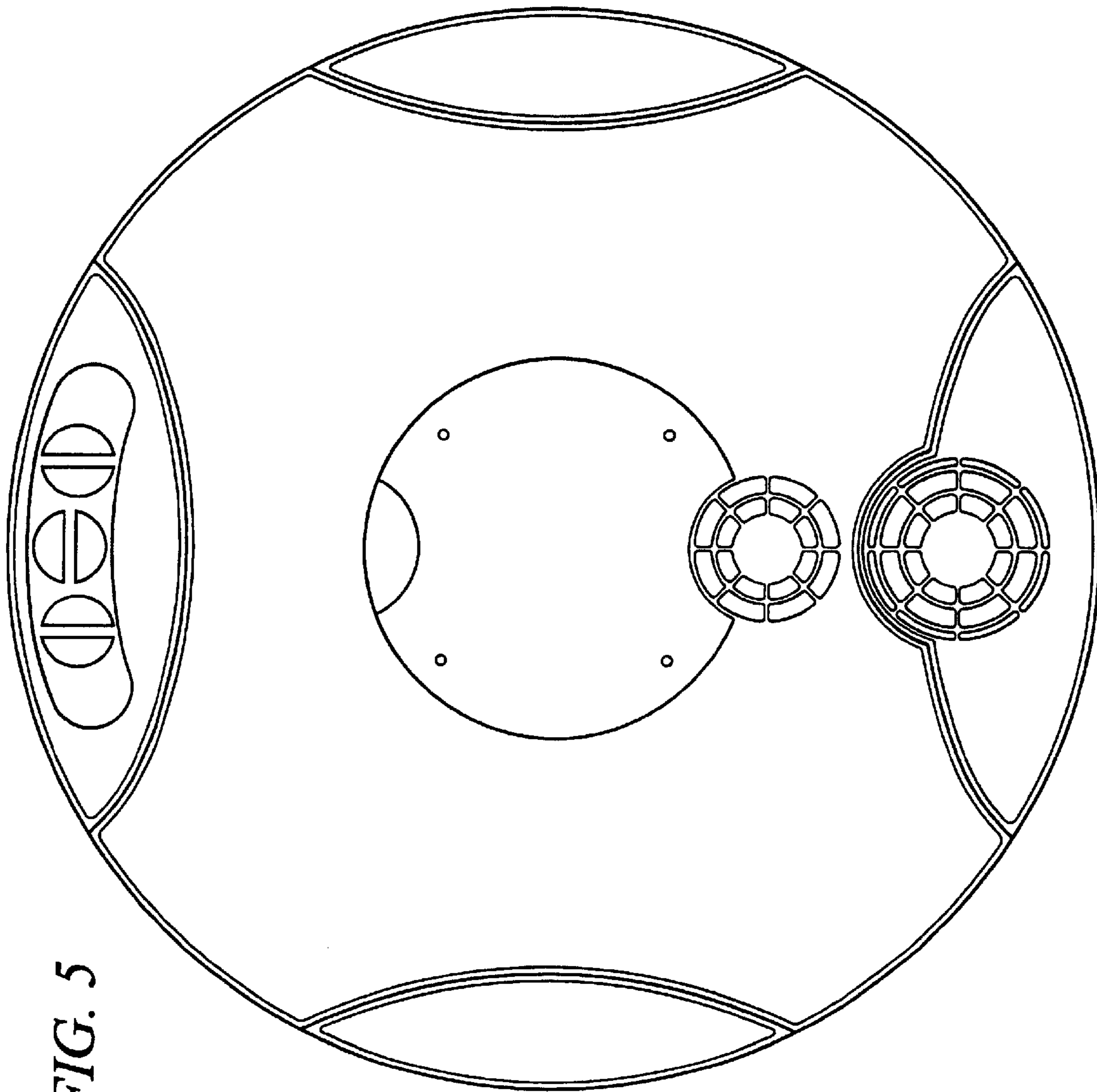


FIG. 5

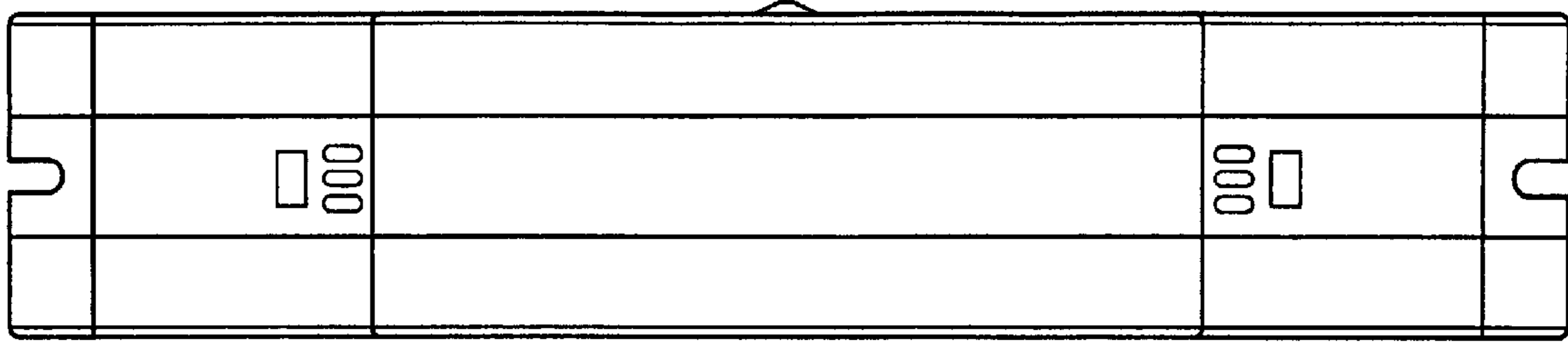


FIG. 7

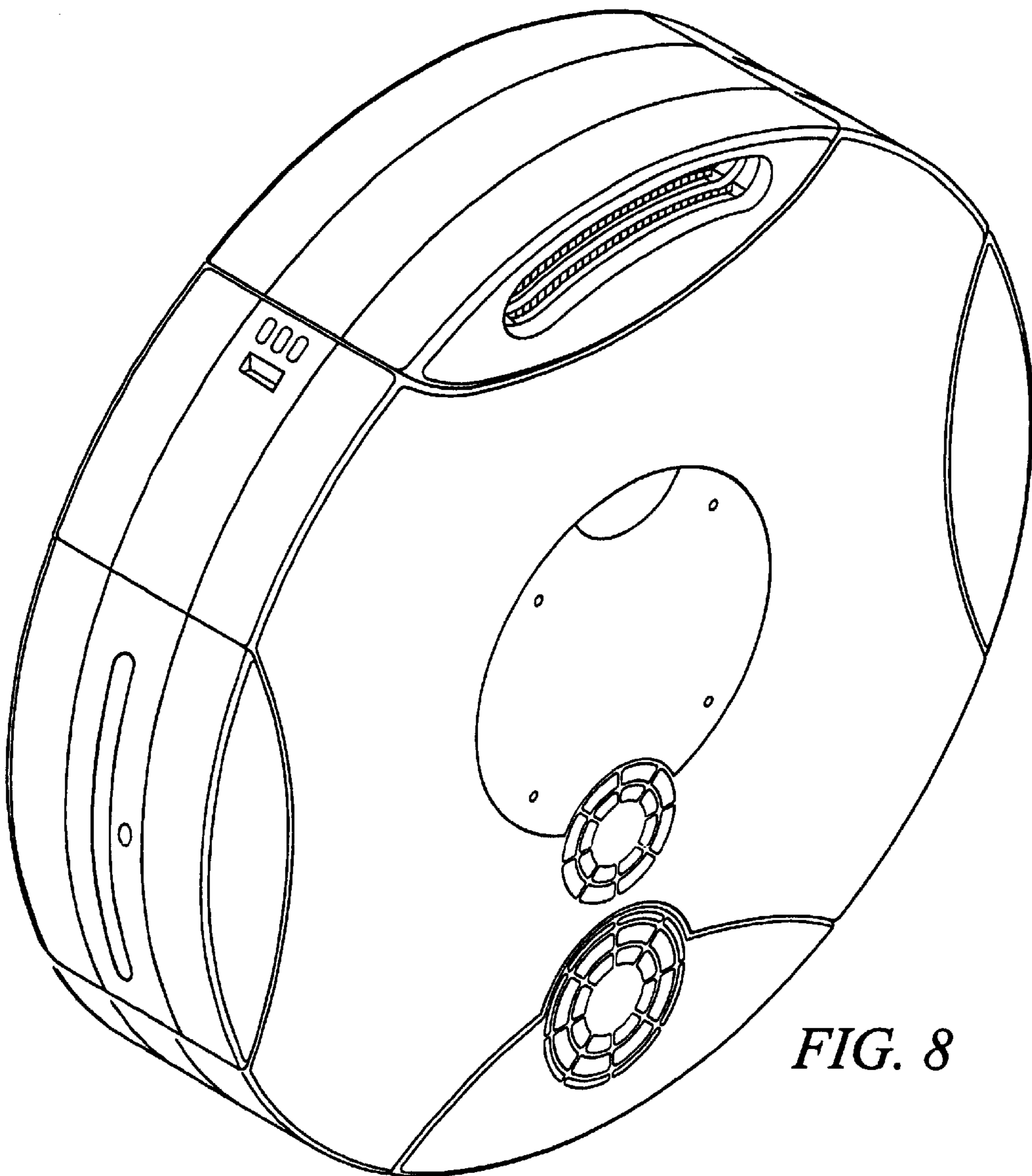


FIG. 8