



US00D496036S1

(12) **United States Design Patent**
Kumagai et al.

(10) **Patent No.: US D496,036 S**
(45) **Date of Patent: ** Sep. 14, 2004**

(54) **PORTABLE INFORMATION TERMINAL**

(57) **CLAIM**

(75) Inventors: **Yoshiaki Kumagai**, Tokyo (JP); **Ryuta Kanno**, Tokyo (JP)

The ornamental design for a portable information terminal, as shown and described.

(73) Assignee: **Sony Corporation**, Toyko (JP)

DESCRIPTION

(**) Term: **14 Years**

FIG. 1 is a perspective view a portable information terminal showing our new design;

(21) Appl. No.: **29/189,608**

FIG. 2 is a front elevational view thereof;

(22) Filed: **Sep. 9, 2003**

FIG. 3 is a rear elevational view thereof;

(51) **LOC (7) Cl. 14-02**

FIG. 4 is a left side elevational view thereof;

(52) **U.S. Cl. D14/345**

FIG. 5 is a right side elevational view thereof;

(58) **Field of Search** D14/341-345;
D19/26, 59, 60; 345/104, 156, 168, 173;
178/18.03; 349/12; 708/105

FIG. 6 is a top plan view thereof;

FIG. 7 is a bottom plan view thereof.

FIG. 8 is a reference perspective view thereof in the closed position;

(56) **References Cited**

FIG. 9 is a reference front elevational view thereof in the closed position;

U.S. PATENT DOCUMENTS

FIG. 10 is a reference rear elevational view thereof in the closed position;

D355,165 S	*	2/1995	Sakaguchi et al.	D14/345
5,898,600 A	*	4/1999	Isashi	708/105
D413,597 S		9/1999	Oba	
D430,117 S	*	8/2000	Sachs et al.	D14/345
D441,025 S		4/2001	Obata	
D441,360 S	*	5/2001	Kido et al.	D14/345

FIG. 11 is a reference left side elevational view thereof in the closed position;

* cited by examiner

FIG. 12 is a reference right side elevational view thereof in the closed position;

Primary Examiner—Freda S. Nunn

FIG. 13 is a reference top plan view thereof in the closed position; and,

(74) *Attorney, Agent, or Firm*—Rader, Fishman & Grauer PLLC

FIG. 14 is a reference bottom plan view thereof in the closed position.

The portions shown in broken lines in the figures are for illustrative purposes only and form no part of the claimed design.

1 Claim, 8 Drawing Sheets

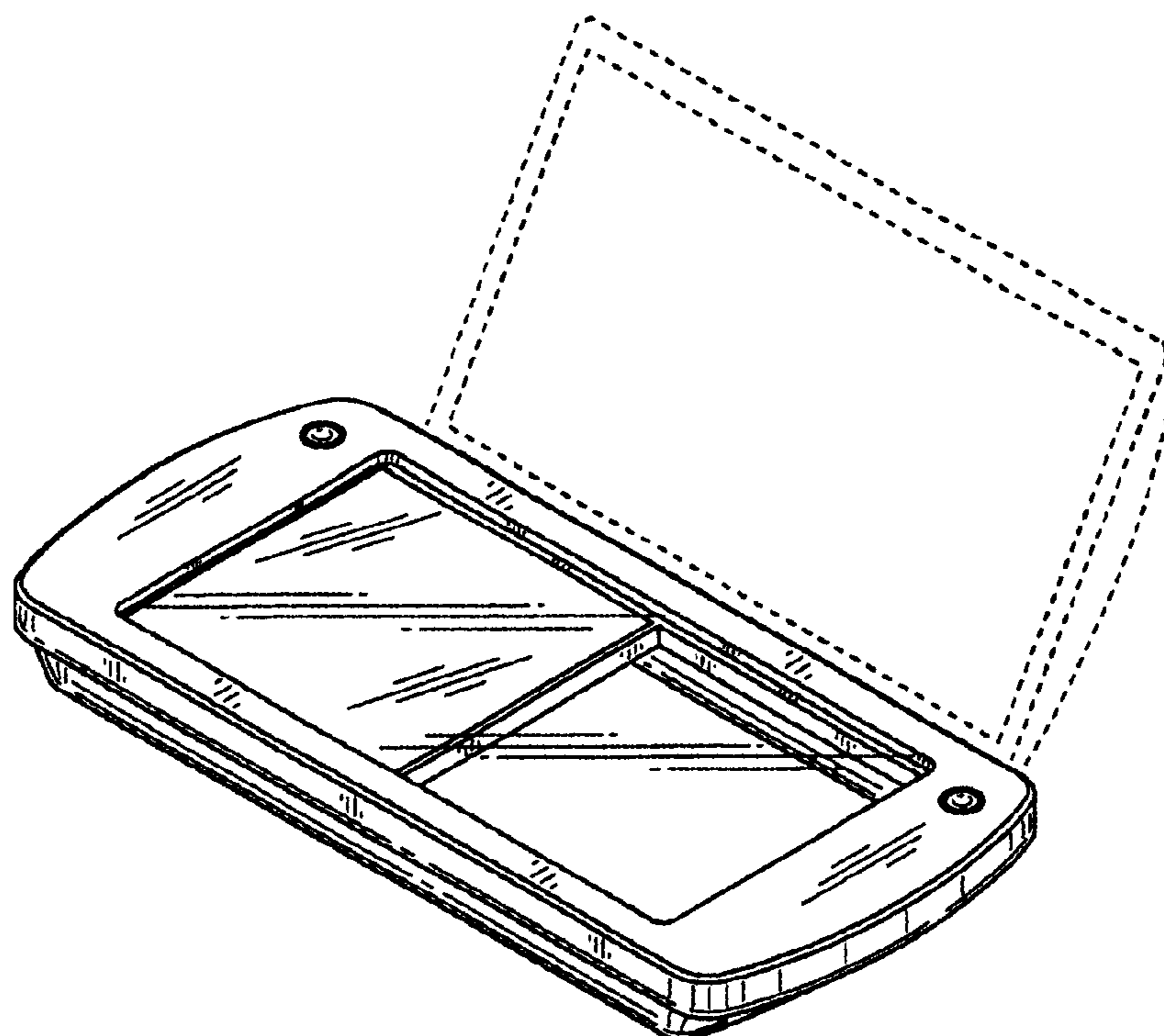


Fig. 1

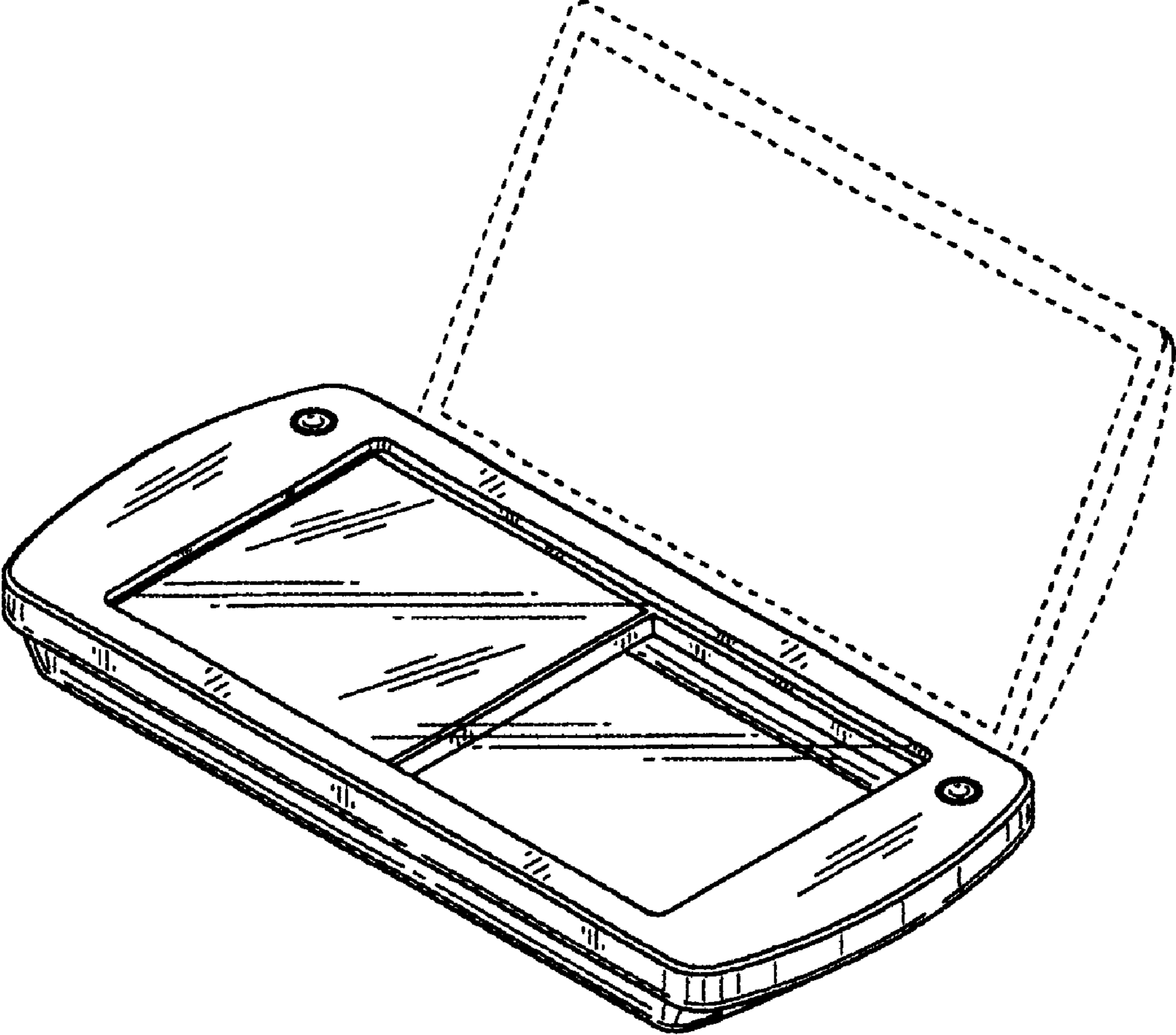


Fig.2

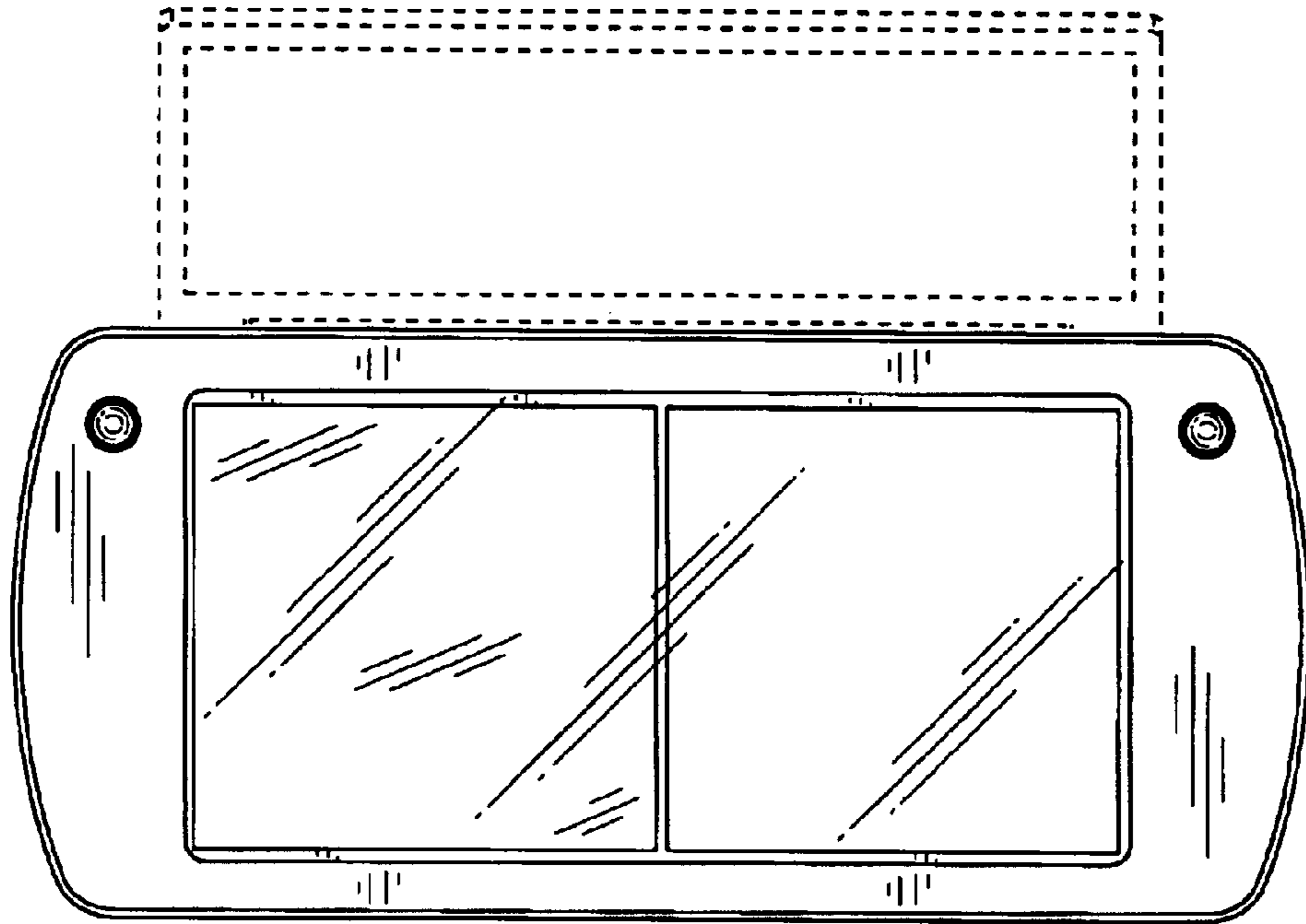


Fig.3

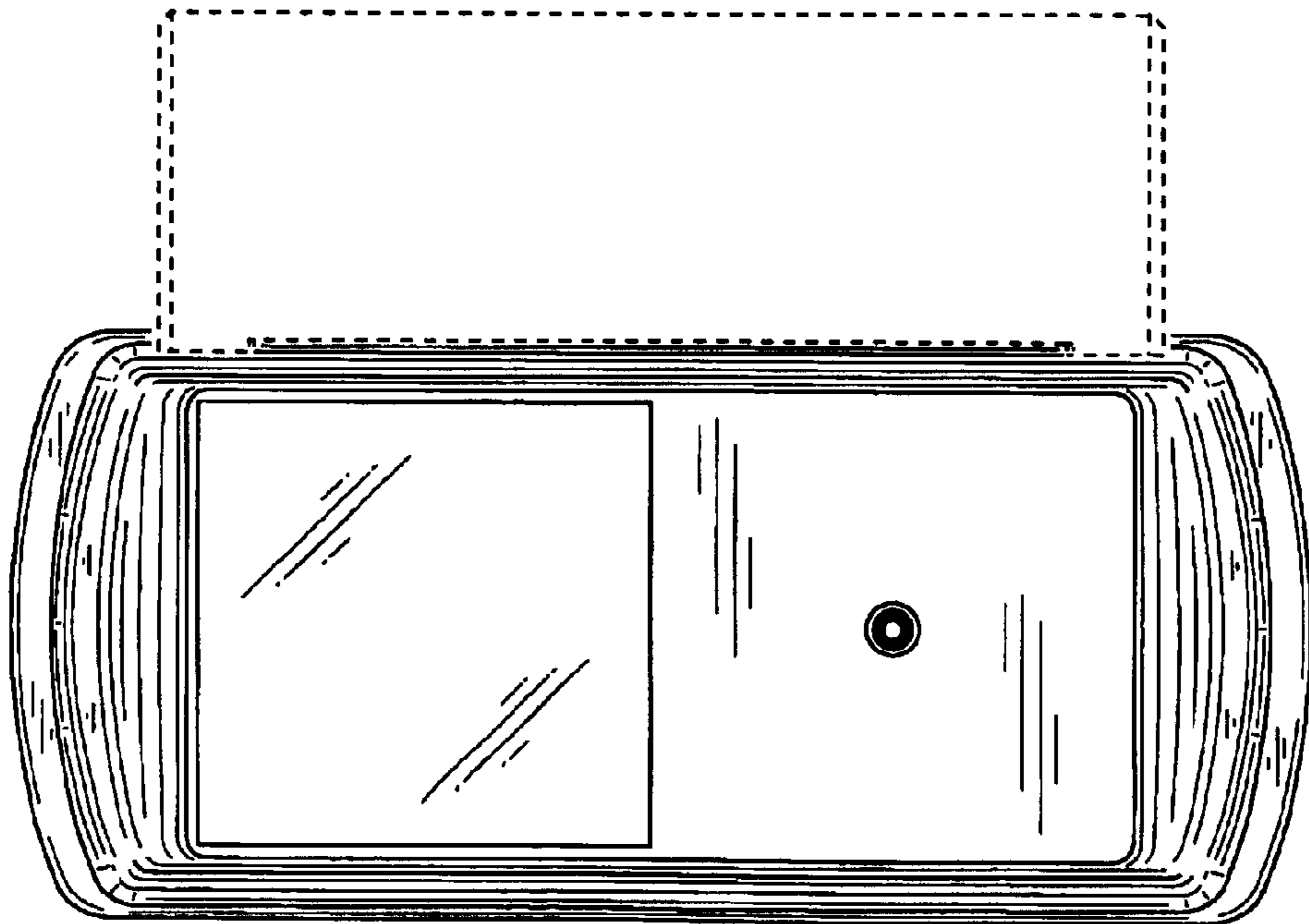


Fig.4

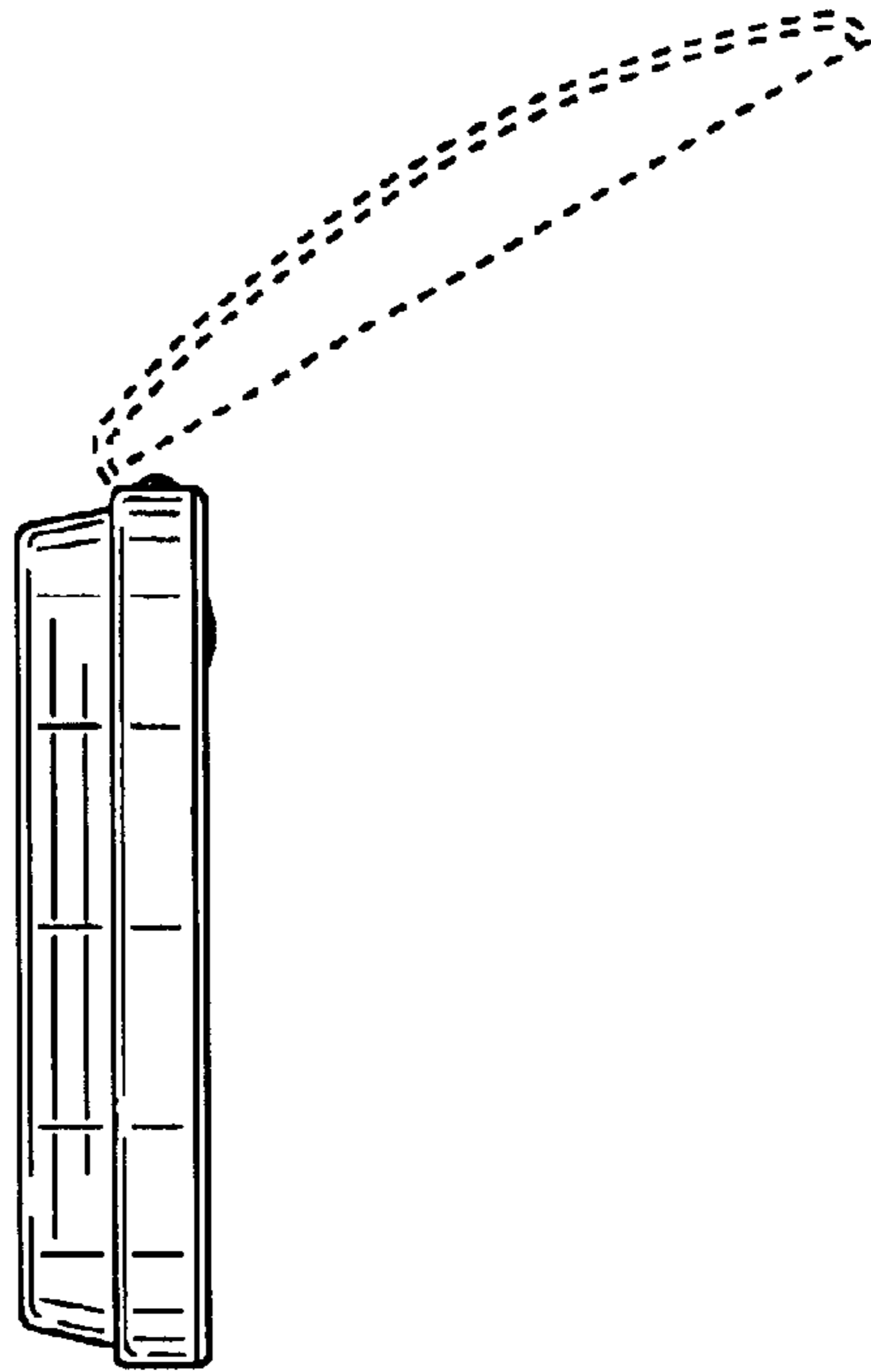


Fig.5

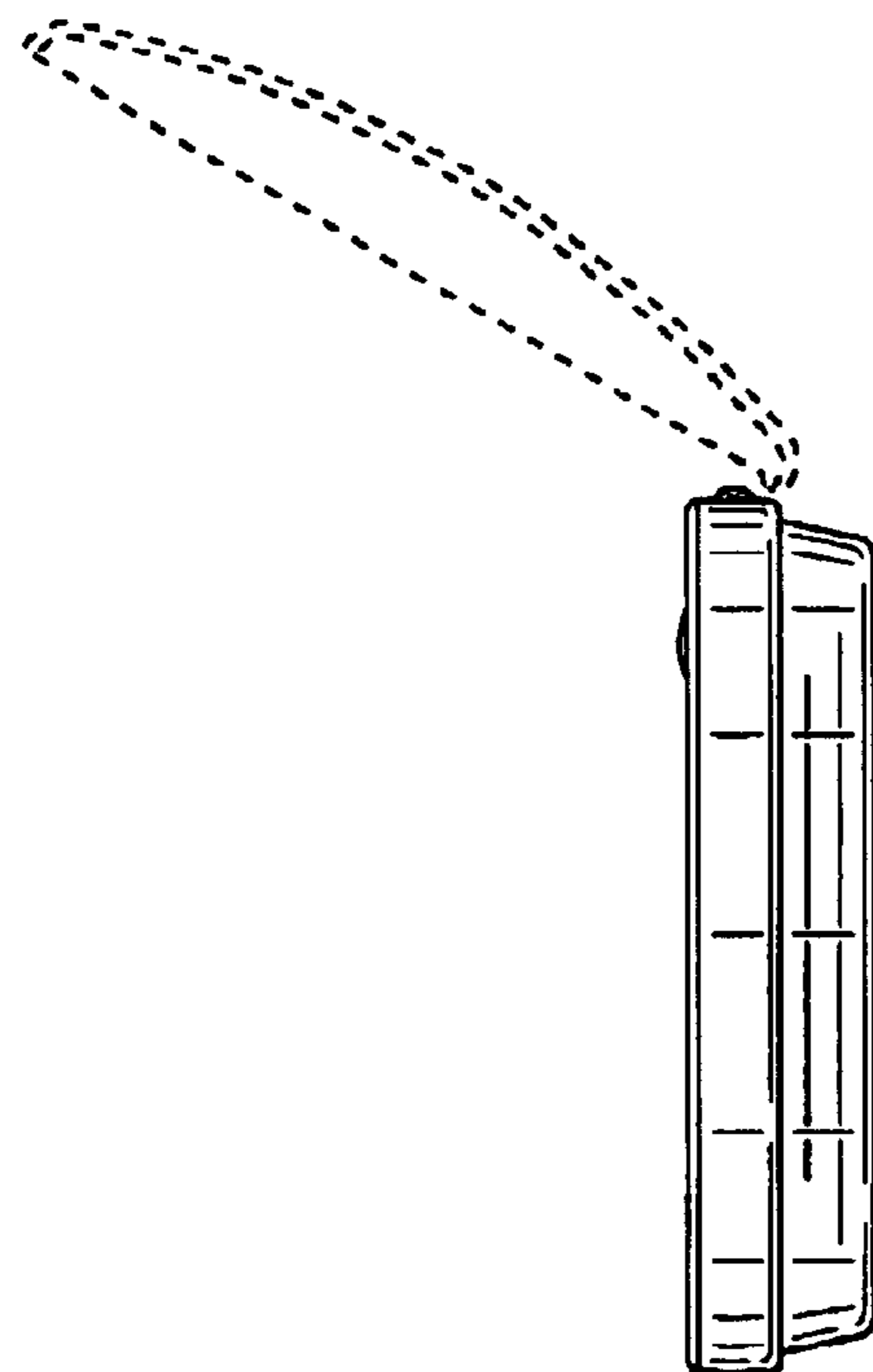


Fig.6

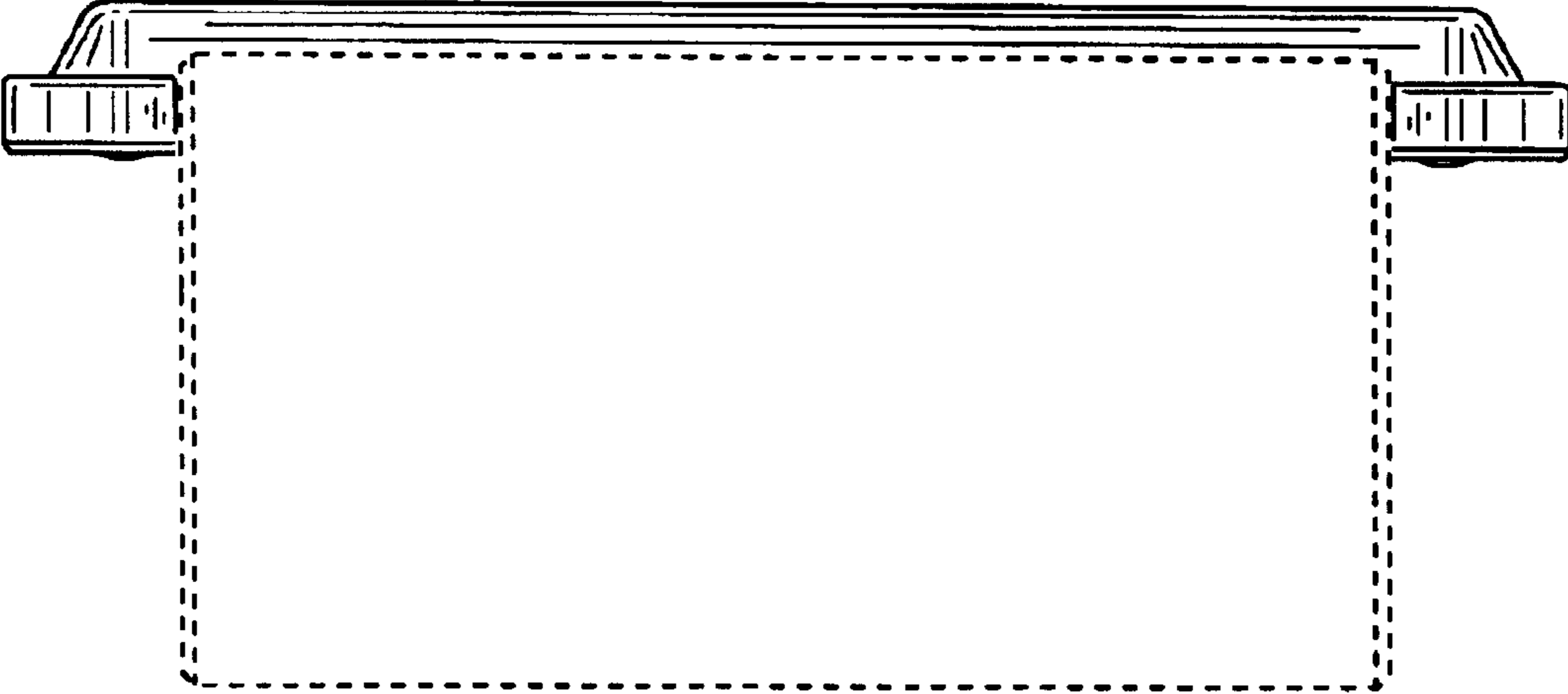


Fig.7

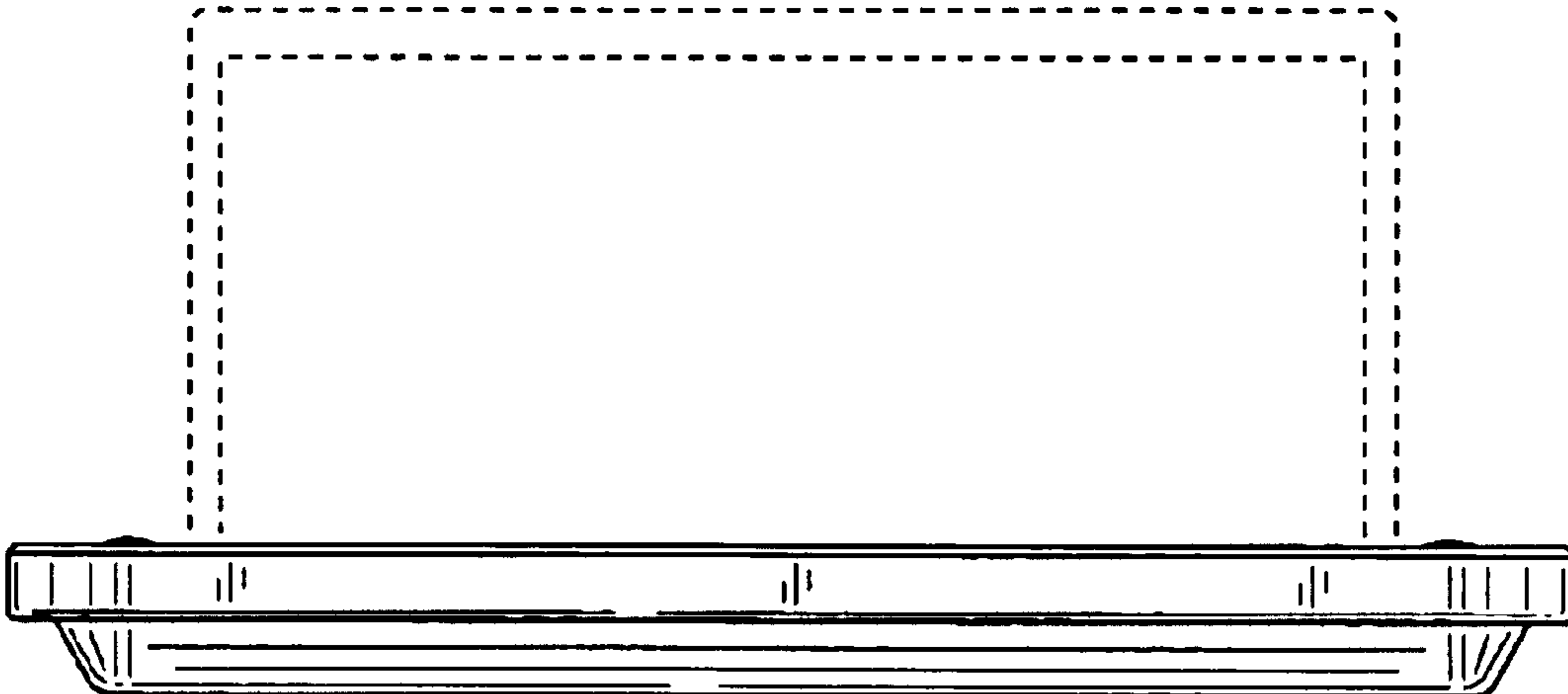


Fig.8

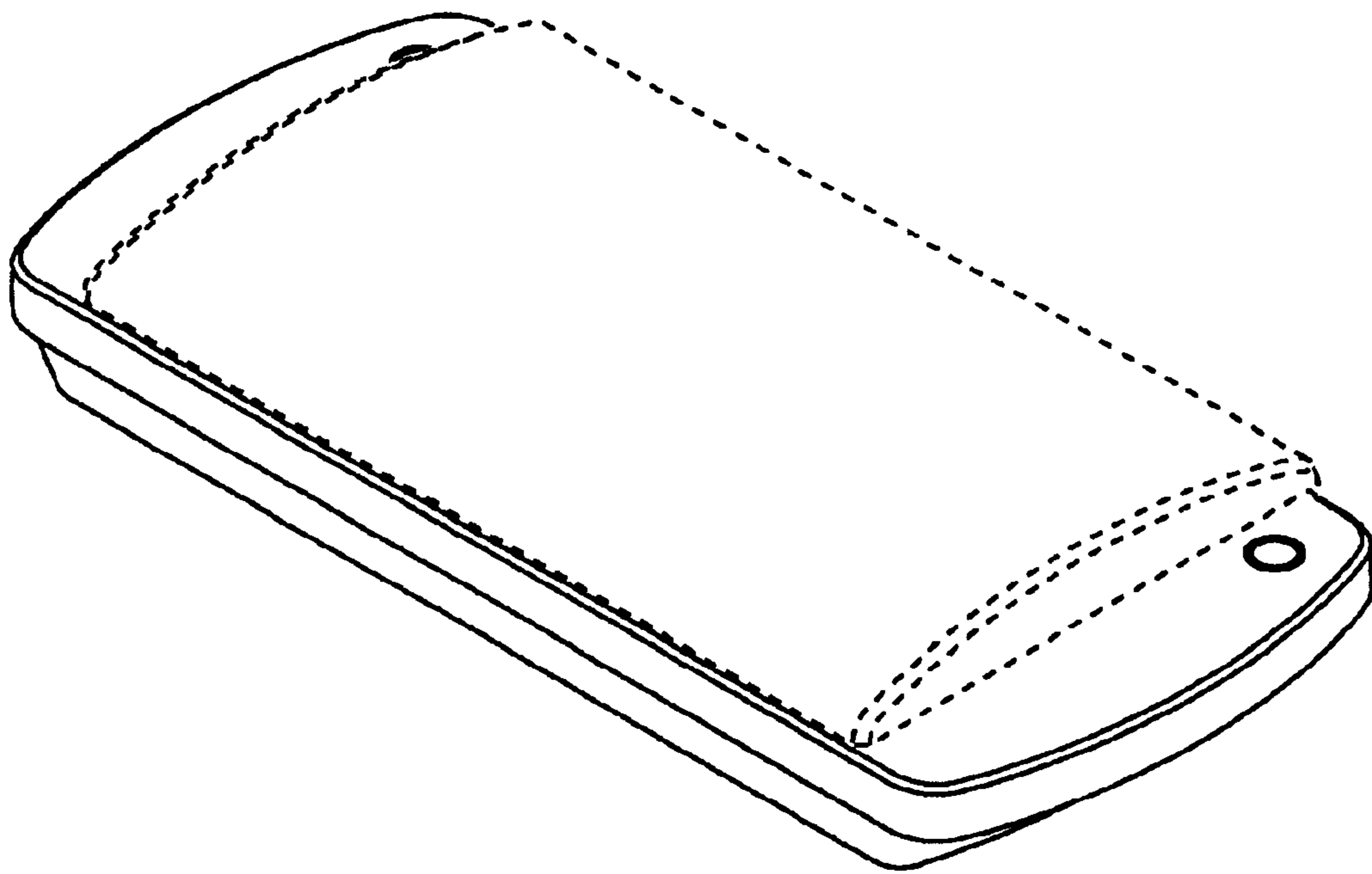


Fig.9

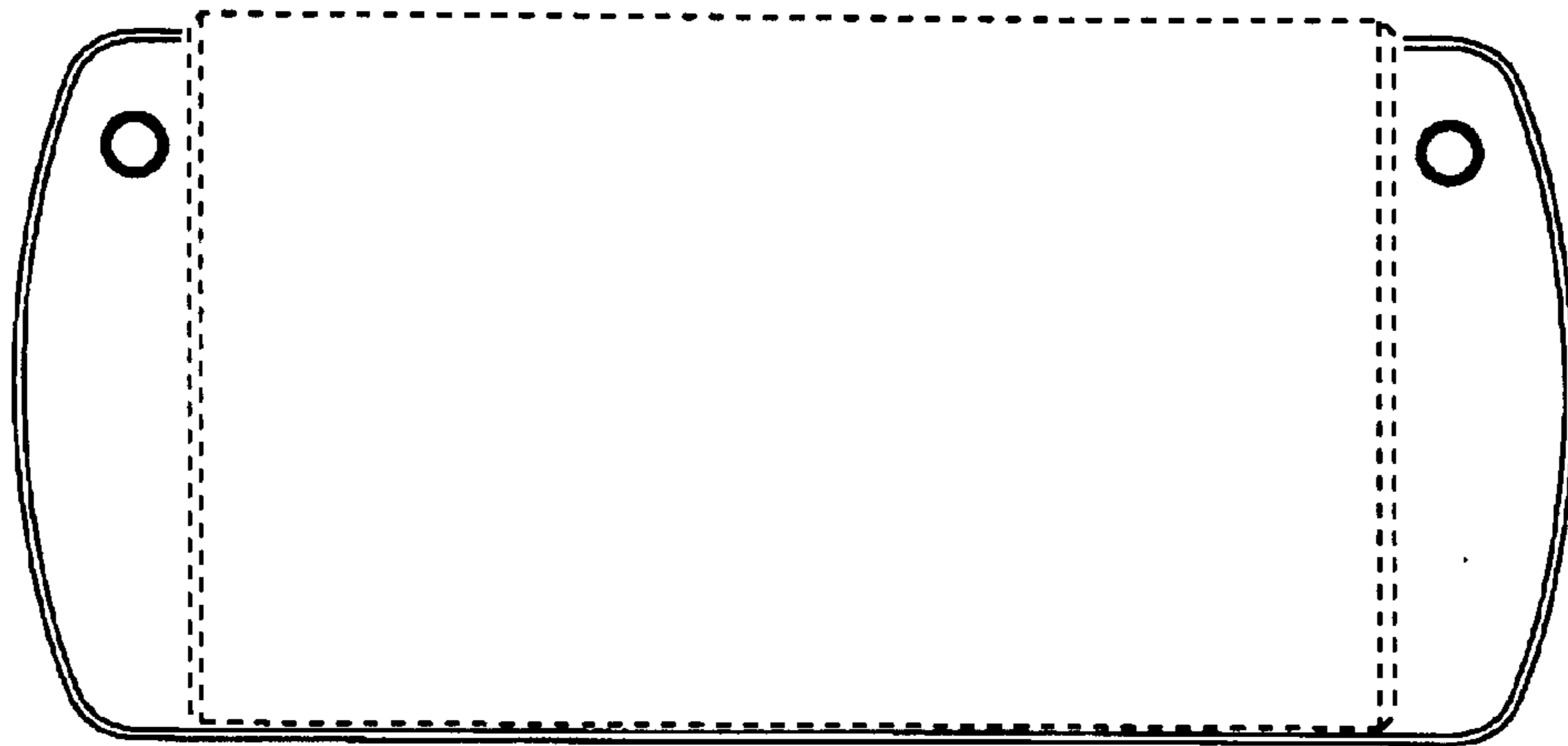


Fig.10

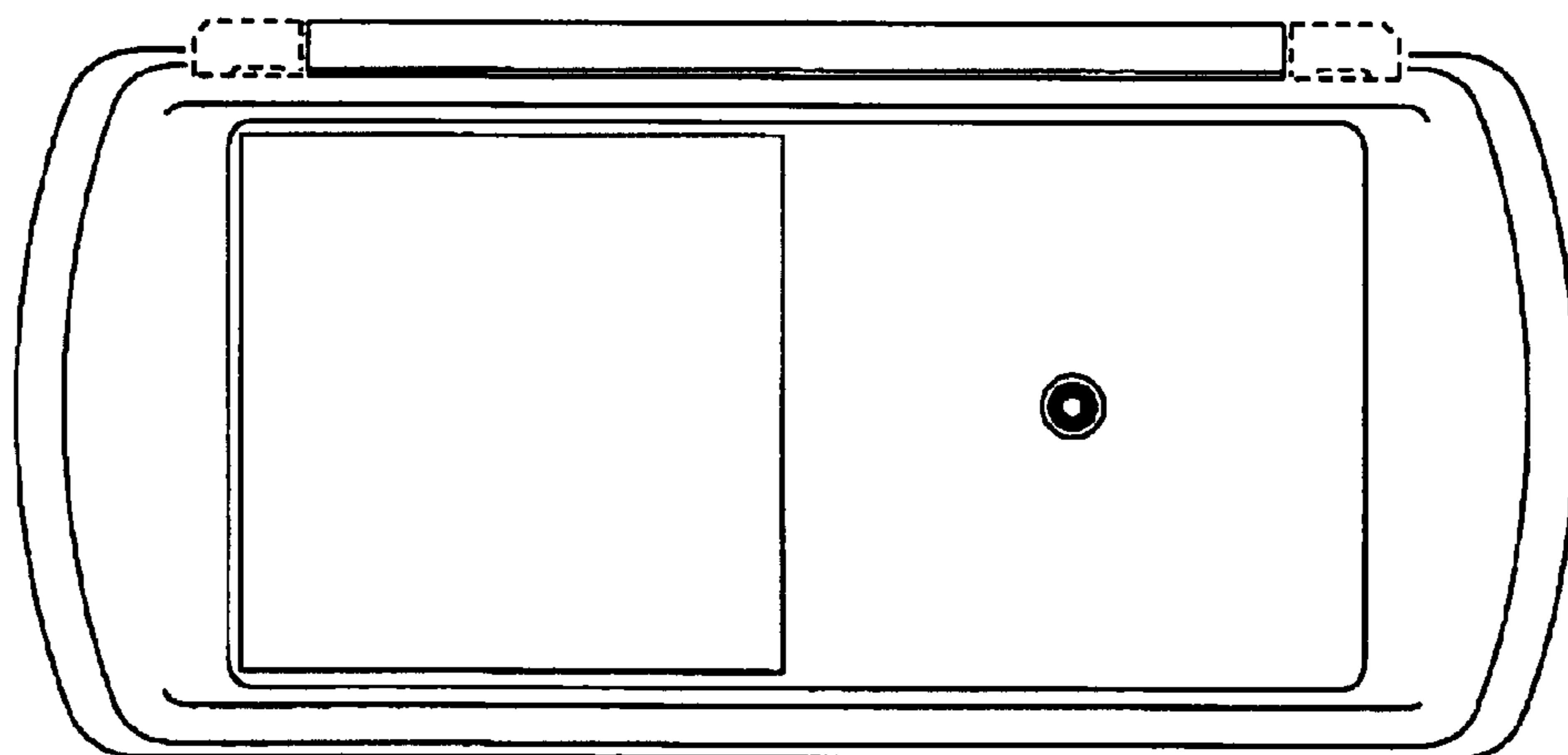


Fig. 11

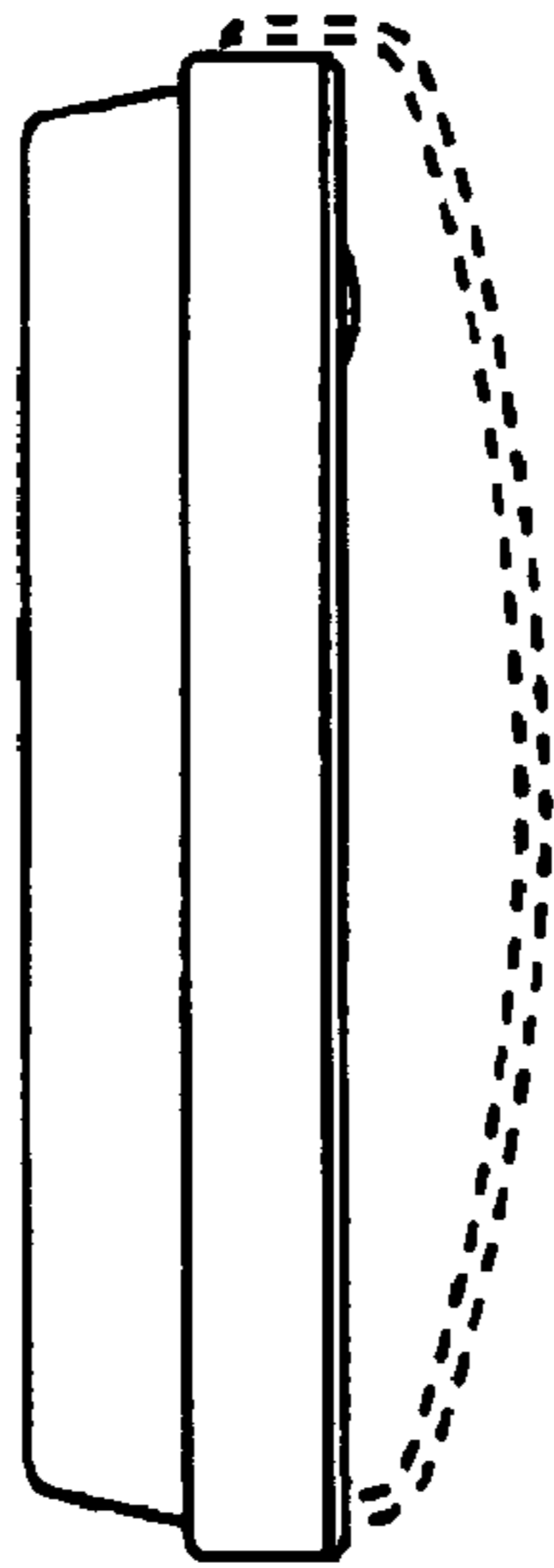


Fig. 12

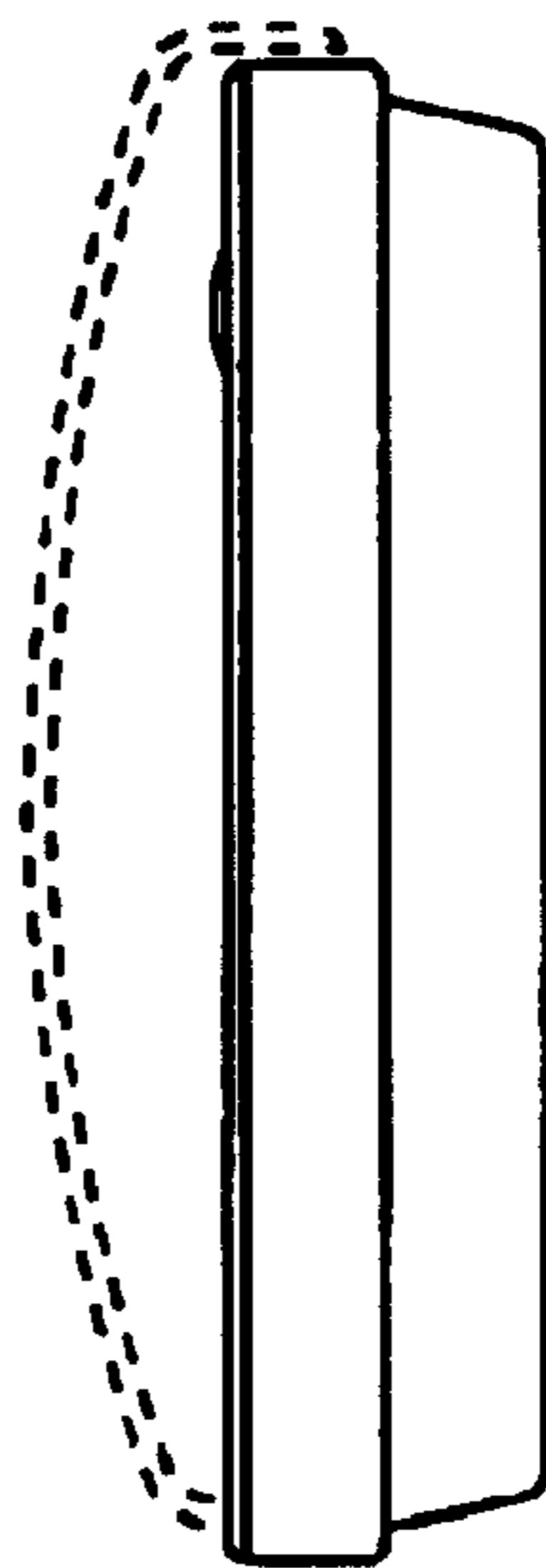


Fig.13

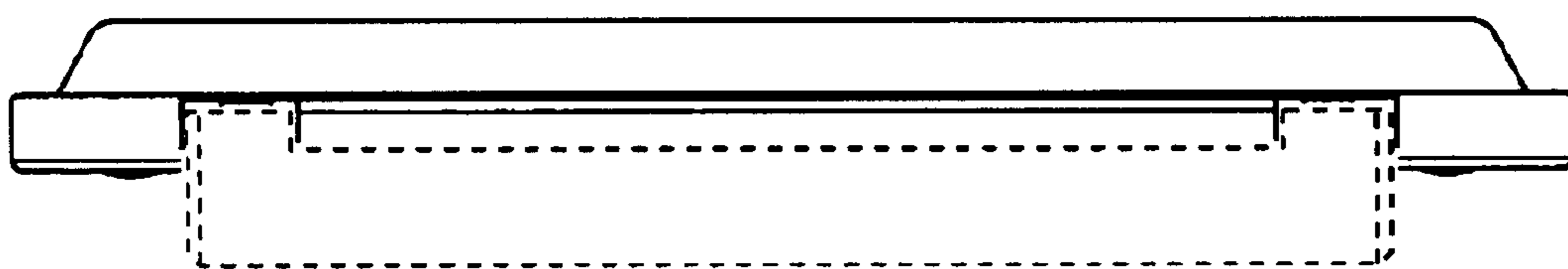


Fig.14

