

US00D496035S1

(12) **United States Design Patent**
Chen et al.

(10) **Patent No.:** **US D496,035 S**
(45) **Date of Patent:** **** Sep. 14, 2004**

(54) **INTEGRATED ALL-IN-ONE COMPUTER**

(75) Inventors: **Ying-Chun Chen**, Taichung (TW);
Yen-Jen Chen, Taipei (TW)

(73) Assignee: **Mitac Technology Corp.**, Hsinchu
Hsien (TW)

(**) Term: **14 Years**

(21) Appl. No.: **29/183,890**

(22) Filed: **Jun. 19, 2003**

(30) **Foreign Application Priority Data**

Dec. 24, 2002 (TW) 91307510

(51) **LOC (7) Cl.** **14-02**

(52) **U.S. Cl.** **D14/337**

(58) **Field of Search** D14/336, 337,
D14/328, 331, 375; D13/162, 184, 199;
361/680-686, 690-696

(56) **References Cited**

U.S. PATENT DOCUMENTS

D370,466 S * 6/1996 Vossoughi D14/336
D406,824 S * 3/1999 Minemoto et al. D14/375

D432,534 S * 10/2000 Hirose et al. D14/337
D434,760 S * 12/2000 Wang D14/337
D440,565 S * 4/2001 Ono et al. D14/375
D448,372 S * 9/2001 Kim D14/337

* cited by examiner

Primary Examiner—Freda S. Nunn

(74) *Attorney, Agent, or Firm*—Harness Dickey

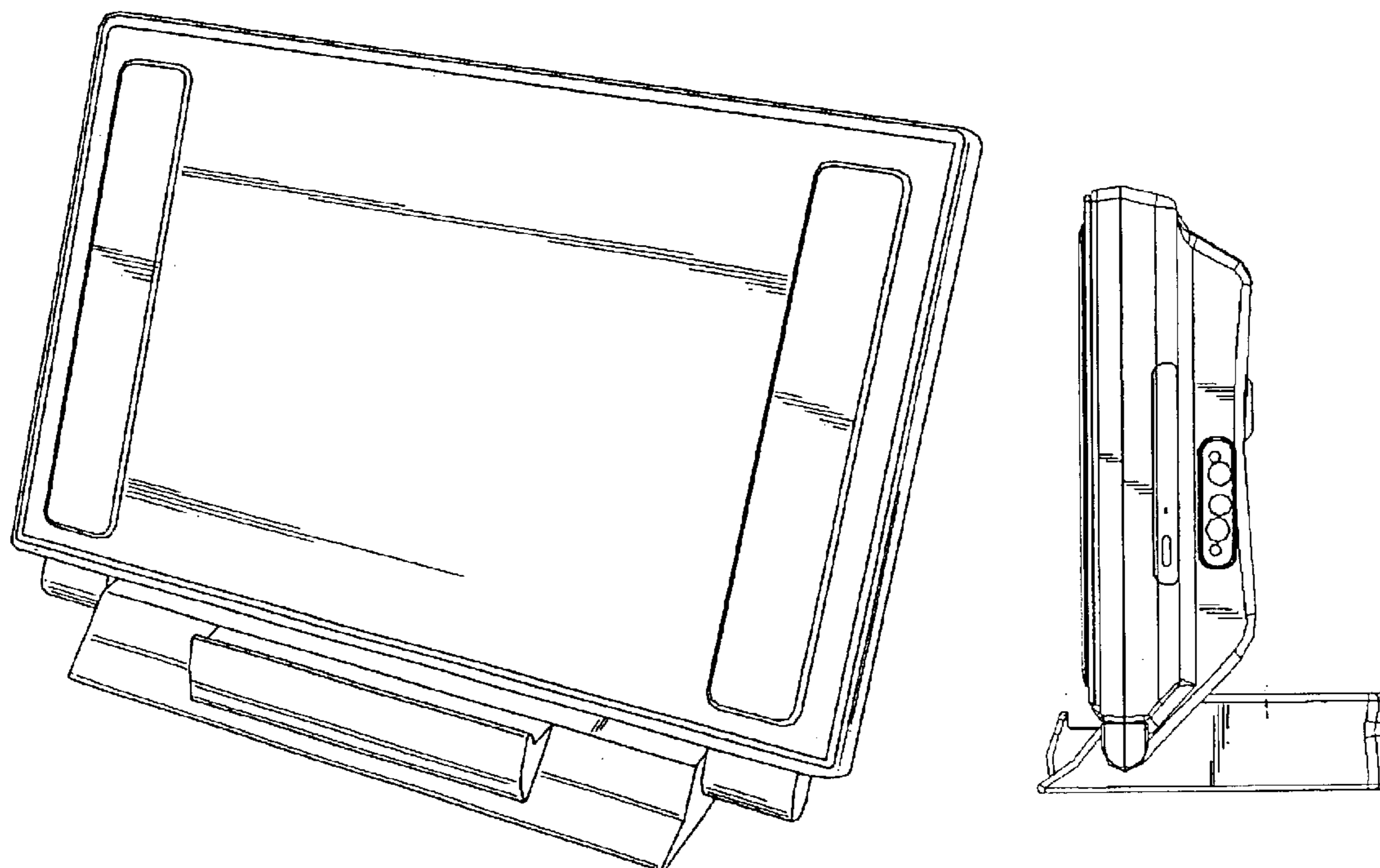
(57) **CLAIM**

The ornamental design for an integrated all-in-one computer, as shown and described.

DESCRIPTION

FIG. 1 is a perspective view of integrated all-in-one computer showing our new design;
FIG. 2 is a front view thereof;
FIG. 3 is a rear view of thereof;
FIG. 4 is a right side elevational view thereof;
FIG. 5 is a left side elevational view thereof;
FIG. 6 is a top view thereof; and
FIG. 7 is a bottom view thereof; and,
FIG. 8 is a perspective view of integrated all-in-one computer showing a partial fold.

1 Claim, 5 Drawing Sheets



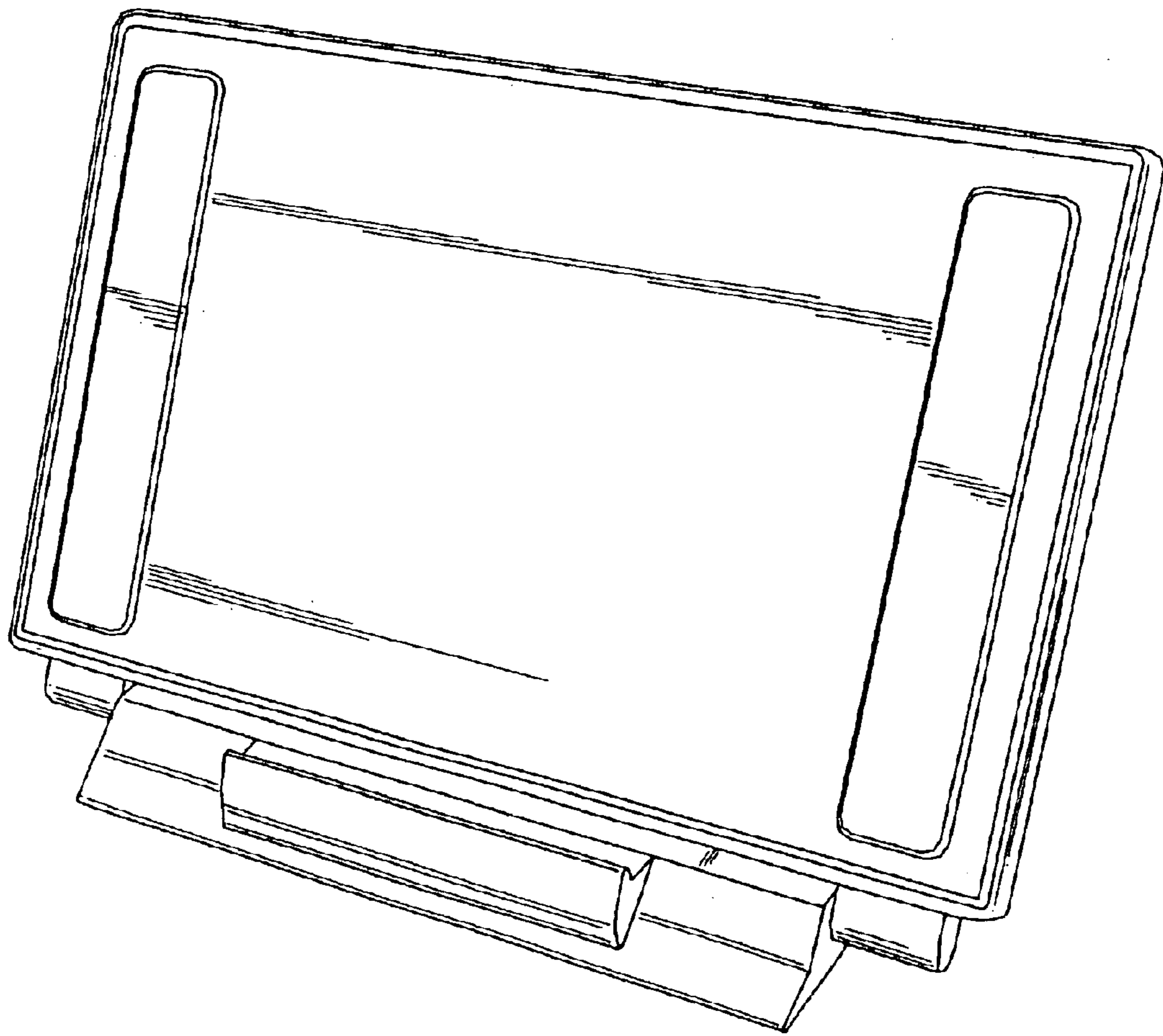


FIG .1

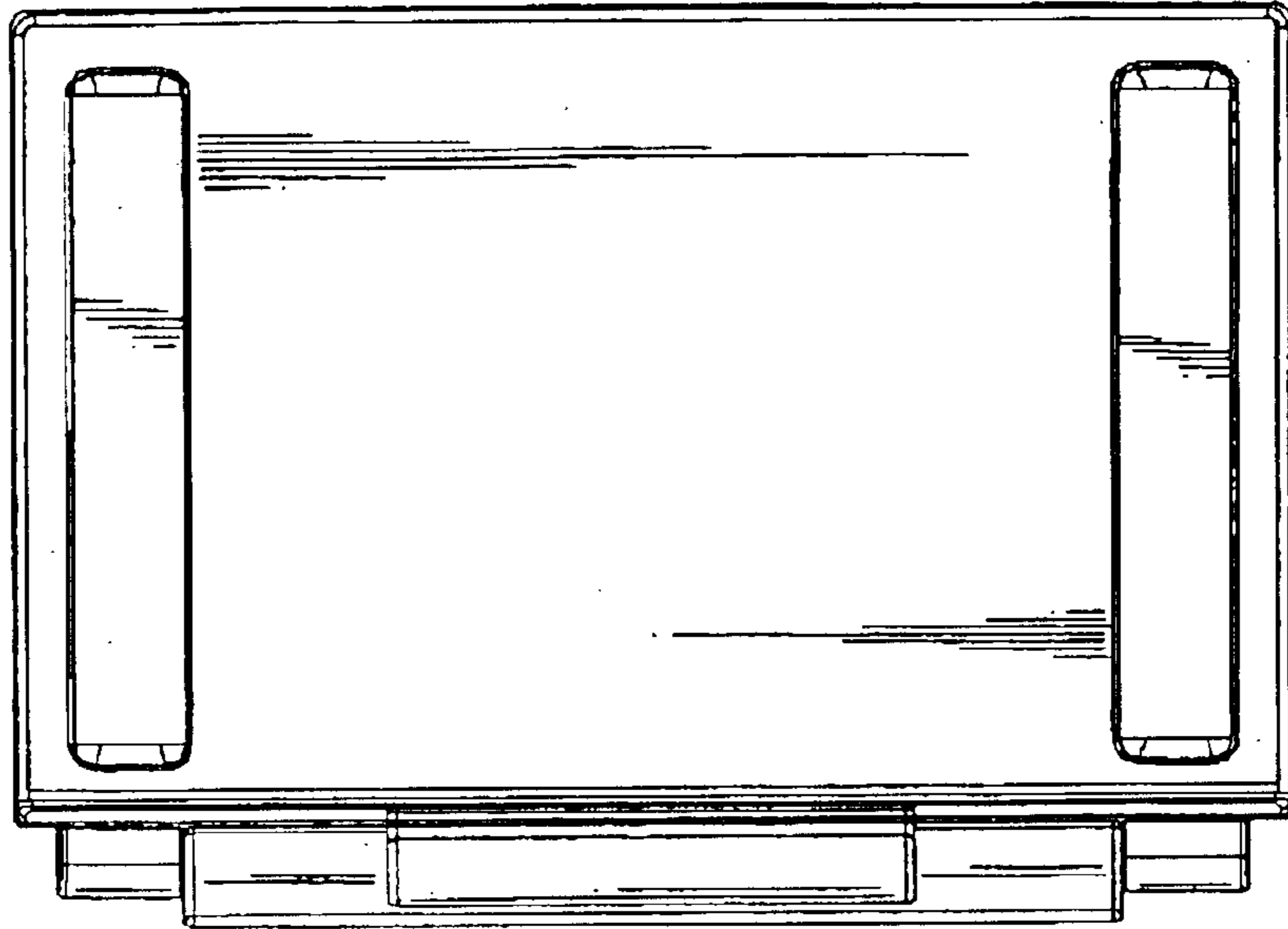


FIG. 2

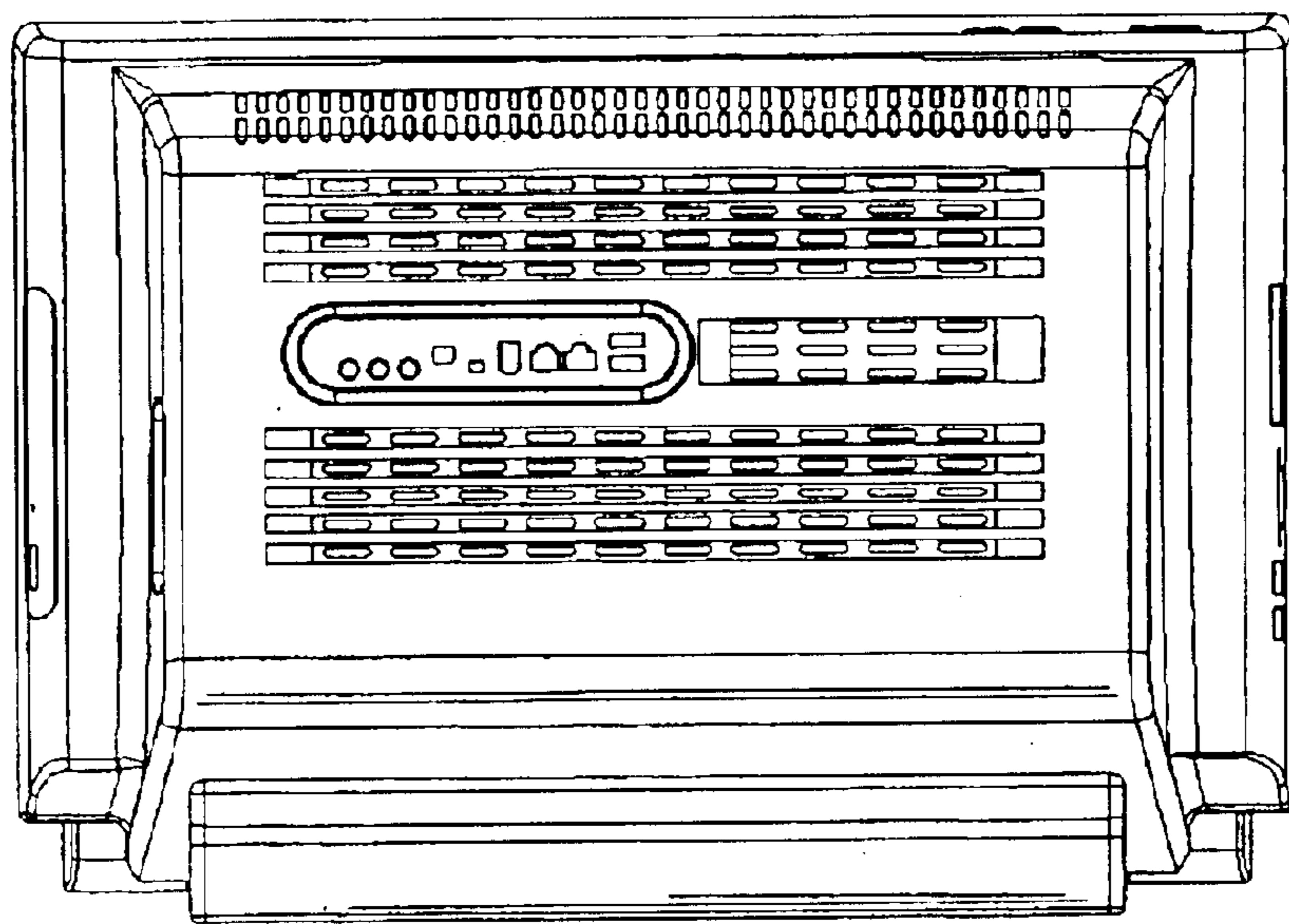


FIG. 3

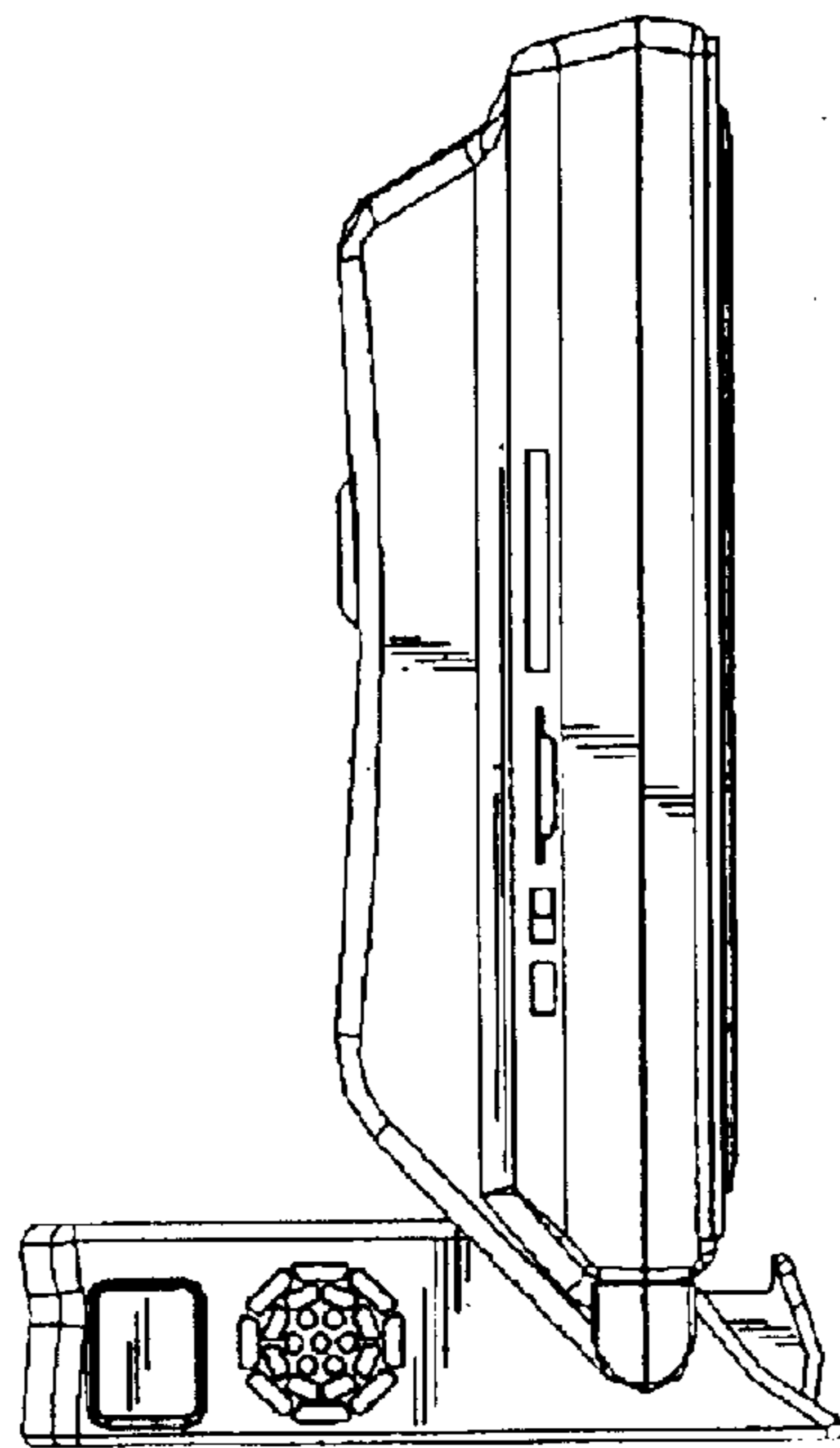


FIG .4

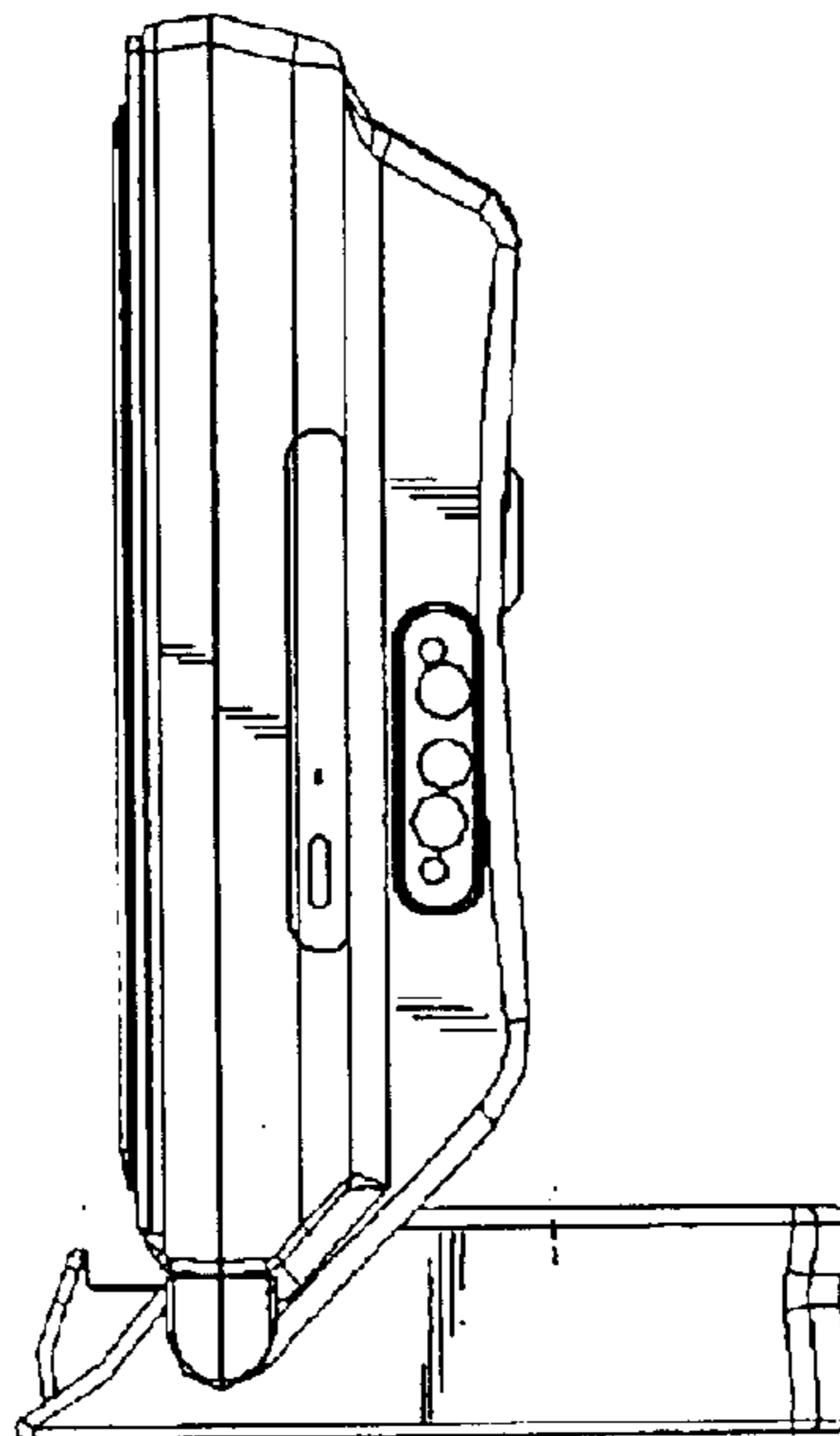


FIG .5

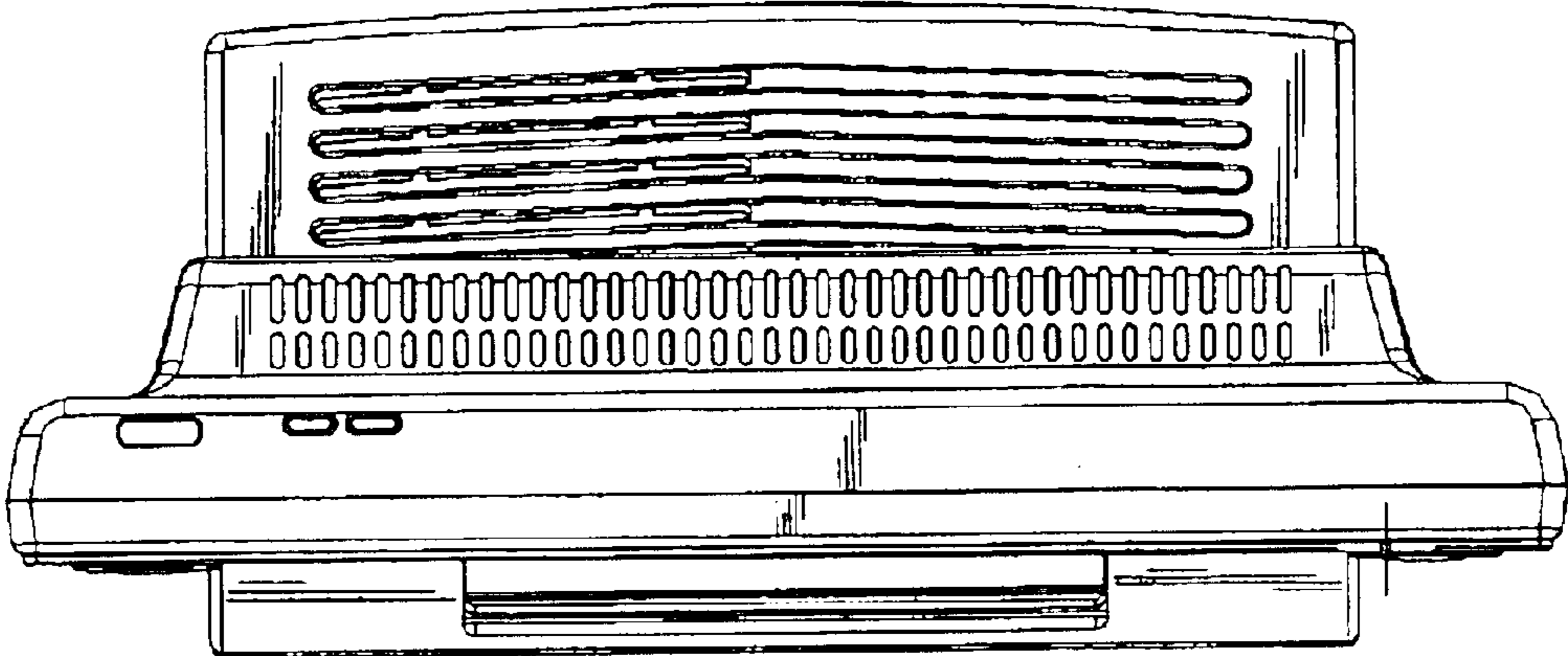


FIG .6

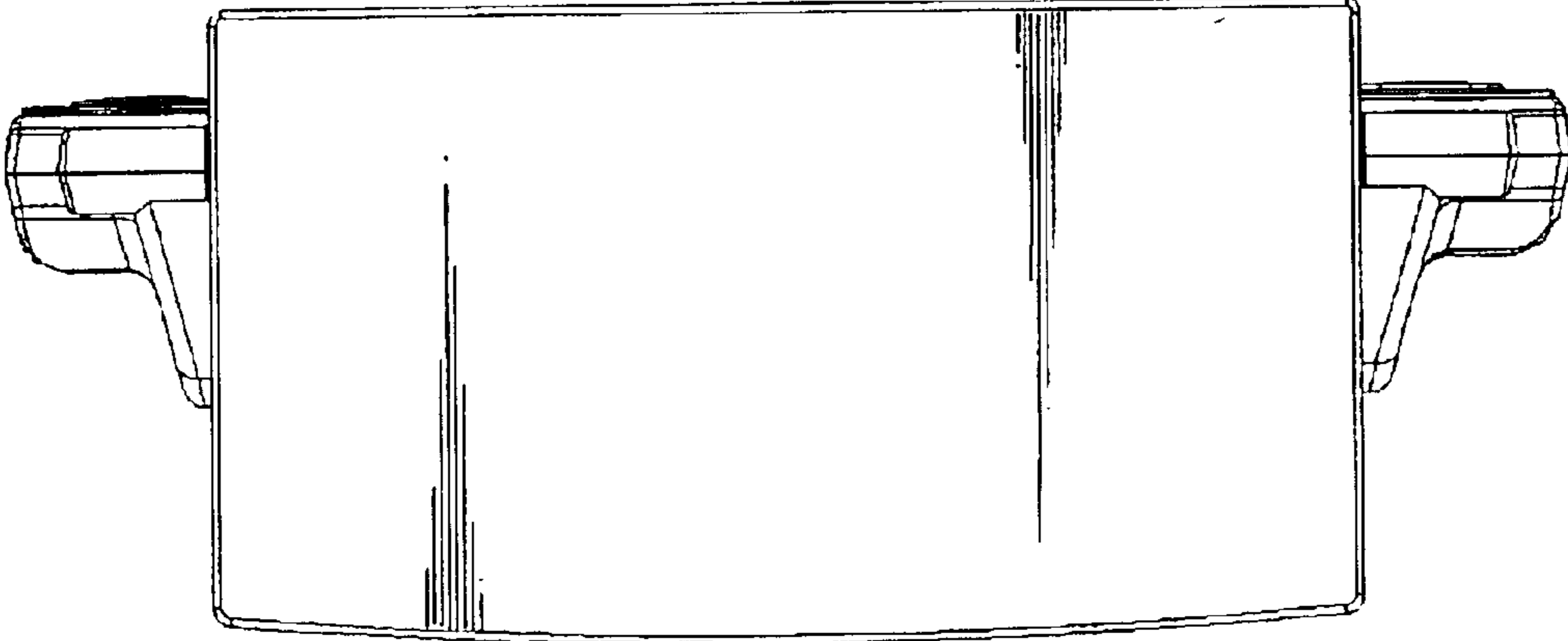


FIG .7

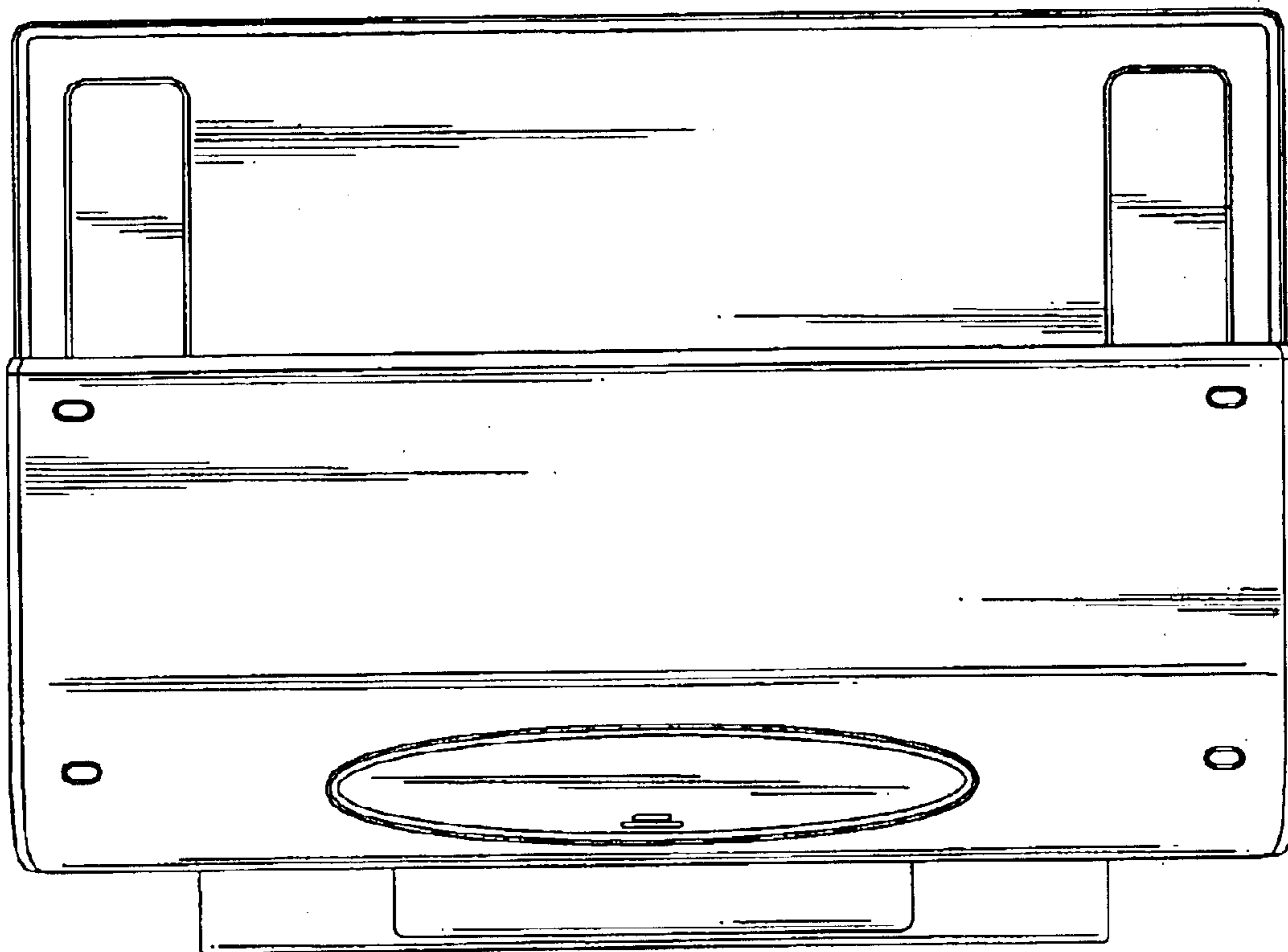


FIG .8