

US00D496028S1

(12) **United States Design Patent**
Quilling, II

(10) **Patent No.:** **US D496,028 S**

(45) **Date of Patent:** **** Sep. 14, 2004**

(54) **AUTO STEREO MOUNTING DEVICE WITH UNDER RADIO POCKET**

(75) **Inventor:** **R. Spencer Quilling, II**, Glenwood, FL (US)

(73) **Assignee:** **Metra Electronics Corporation**, Holly Hill, FL (US)

(**) **Term:** **14 Years**

(21) **Appl. No.:** **29/176,652**

(22) **Filed:** **Feb. 27, 2003**

(51) **LOC (7) Cl.** **14-01**

(52) **U.S. Cl.** **D14/224**

(58) **Field of Search** D14/204, 217, D14/224, 229, 25 B; D12/223; 248/27.1, 27.3, 558, 221.3, 220.2, 221.4; 403/4; 455/345; 361/685

(56) **References Cited**

U.S. PATENT DOCUMENTS

5,106,039 A	4/1992	Gross	
5,467,947 A	11/1995	Quilling, II	
D401,591 S	11/1998	Jones, Jr.	
D418,838 S	1/2000	Jones, Jr.	
D481,378 S	* 10/2003	Quilling et al.	D14/224
D482,024 S	* 11/2003	Quilling et al.	D14/224
D483,027 S	* 12/2003	Quilling et al.	D14/224
D485,260 S	* 1/2004	Quilling et al.	D14/224

OTHER PUBLICATIONS

Metra 2001 Autosound Installation Products Catalog, pgs. cover, 1-62, published May, 2001.

* cited by examiner

Primary Examiner—Paula A. Greene
(74) *Attorney, Agent, or Firm*—Fitzpatrick, Cella, Harper & Scinto

(57) **CLAIM**

I claim the ornamental design for an auto stereo mounting device with under radio pocket, as shown and described.

DESCRIPTION

FIG. 1 is a left front perspective view of a dual compartment auto stereo mounting device showing a preferred embodiment of our design. The environmental mounting structure shown in dotted line forms no part of the claimed design;

FIG. 2 is a front elevation view of FIG. 1;

FIG. 3 is a rear elevation view of FIG. 1;

FIG. 4 is a top plan view of FIG. 1;

FIG. 5 is a bottom plan view of FIG. 1;

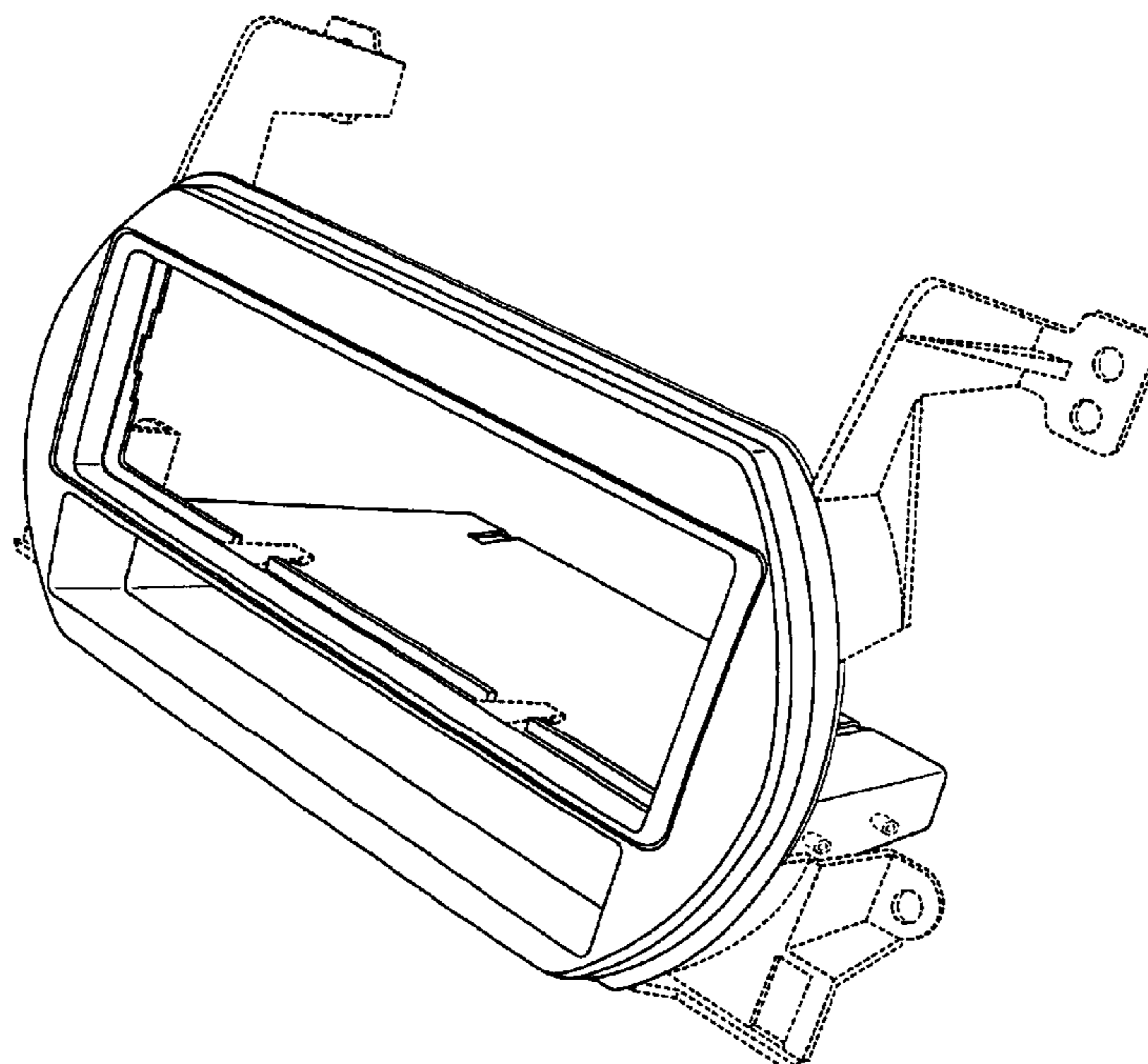
FIG. 6 is a left side elevation view of FIG. 1;

FIG. 7 is a right side elevation view of FIG. 1; and,

FIG. 8 is a left front perspective, explosion view of FIG. 1, showing separation of certain parts which combine to create the design. Additional environmental mounting structure shown in dotted line forms no part of the claimed design.

The appearance of the design for an auto stereo mounting device with under radio pocket, characterized by a truncated, circular front surface with an upper aperture adopted to accept either a DIN or ISO DIN automotive stereo unit and a lower aperture for a pocket.

1 Claim, 8 Drawing Sheets



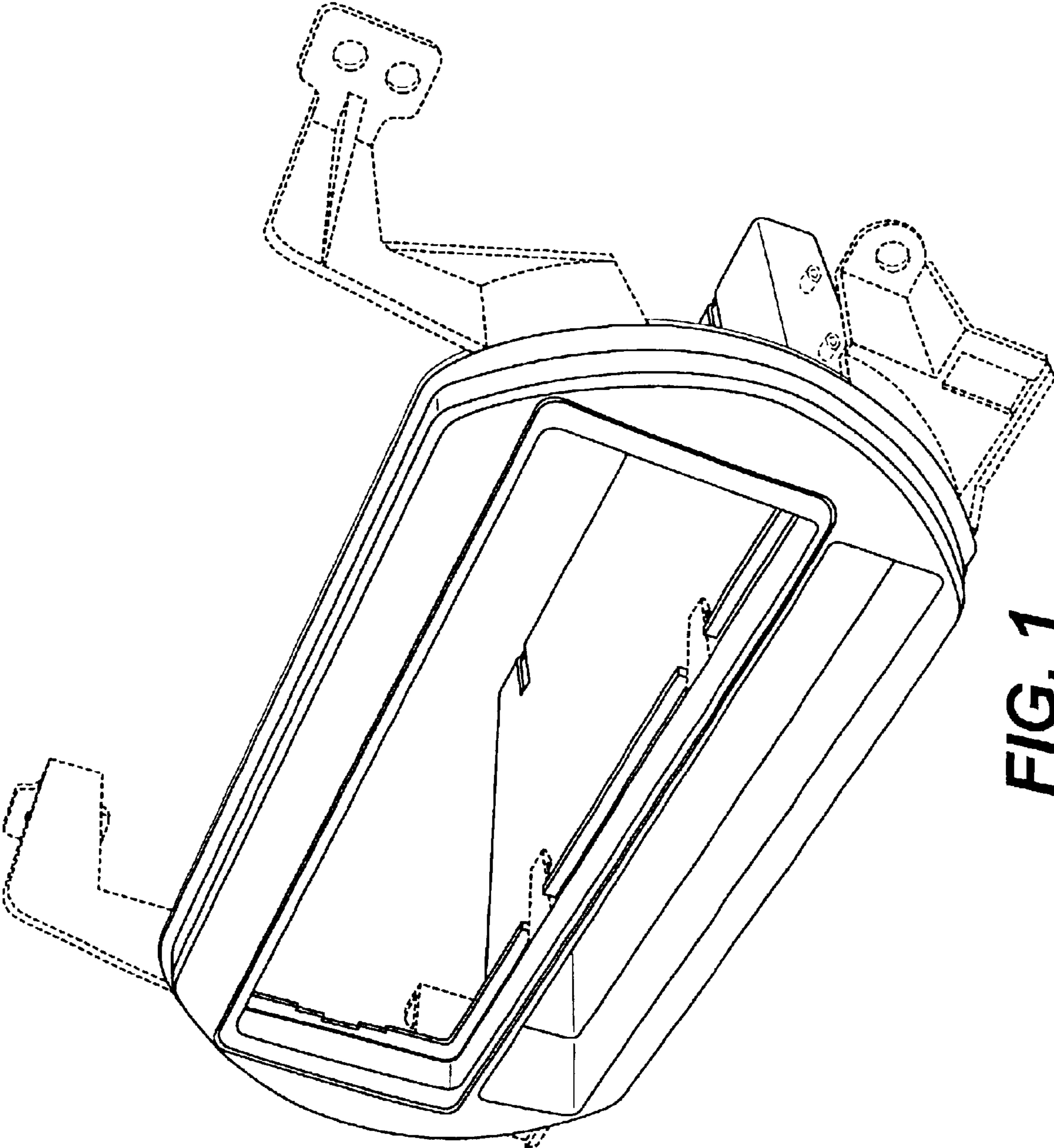


FIG. 1

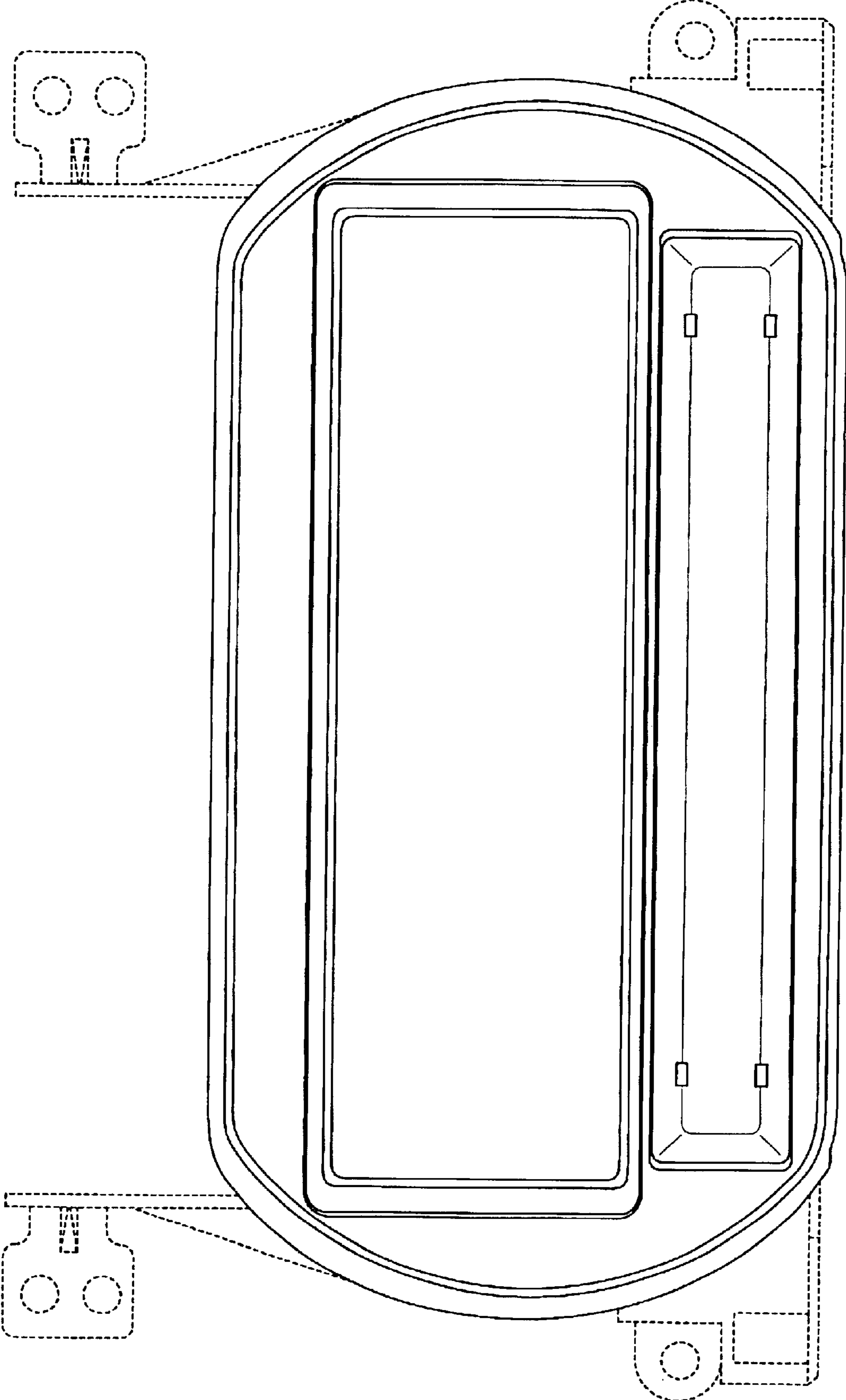


FIG. 2

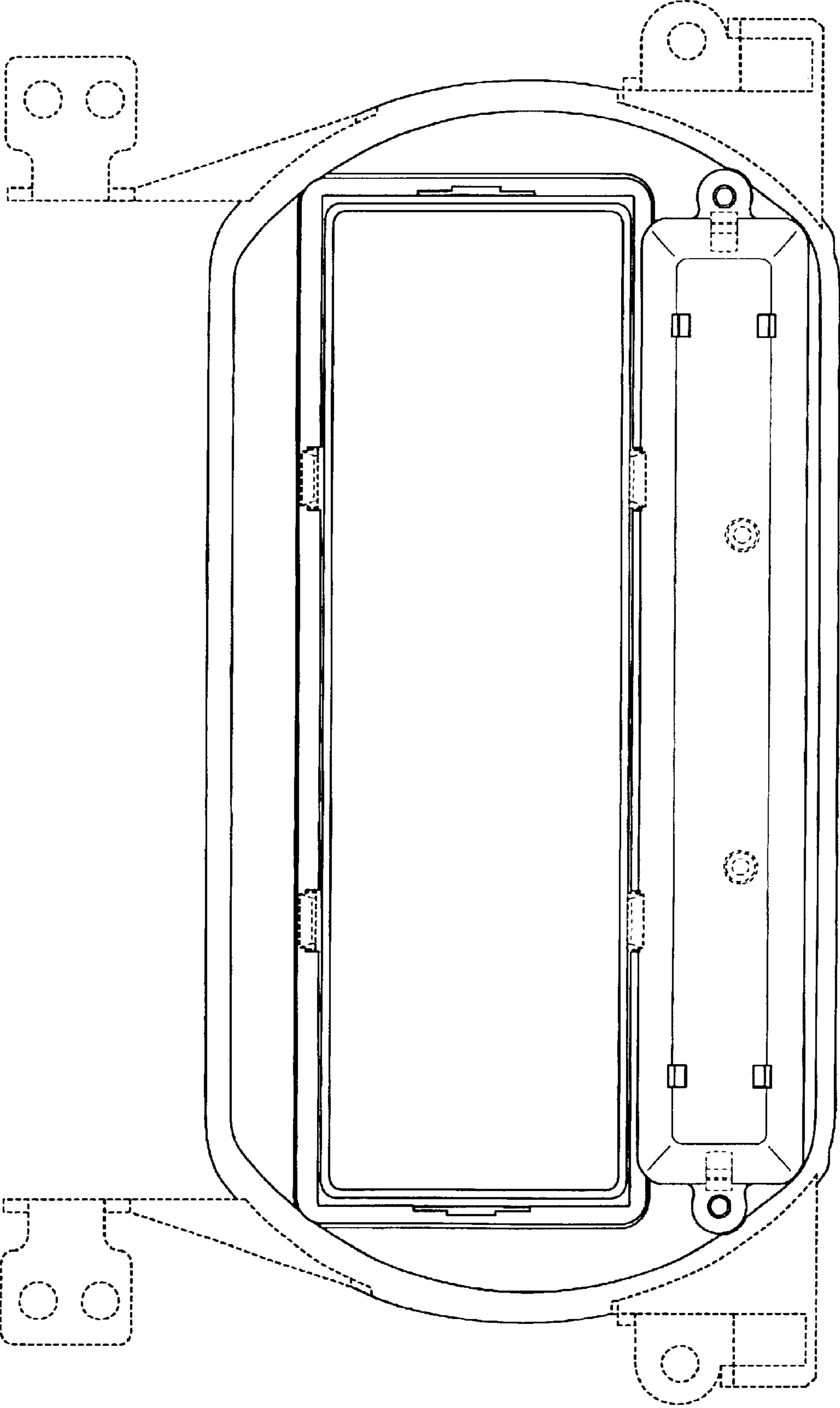


FIG. 3

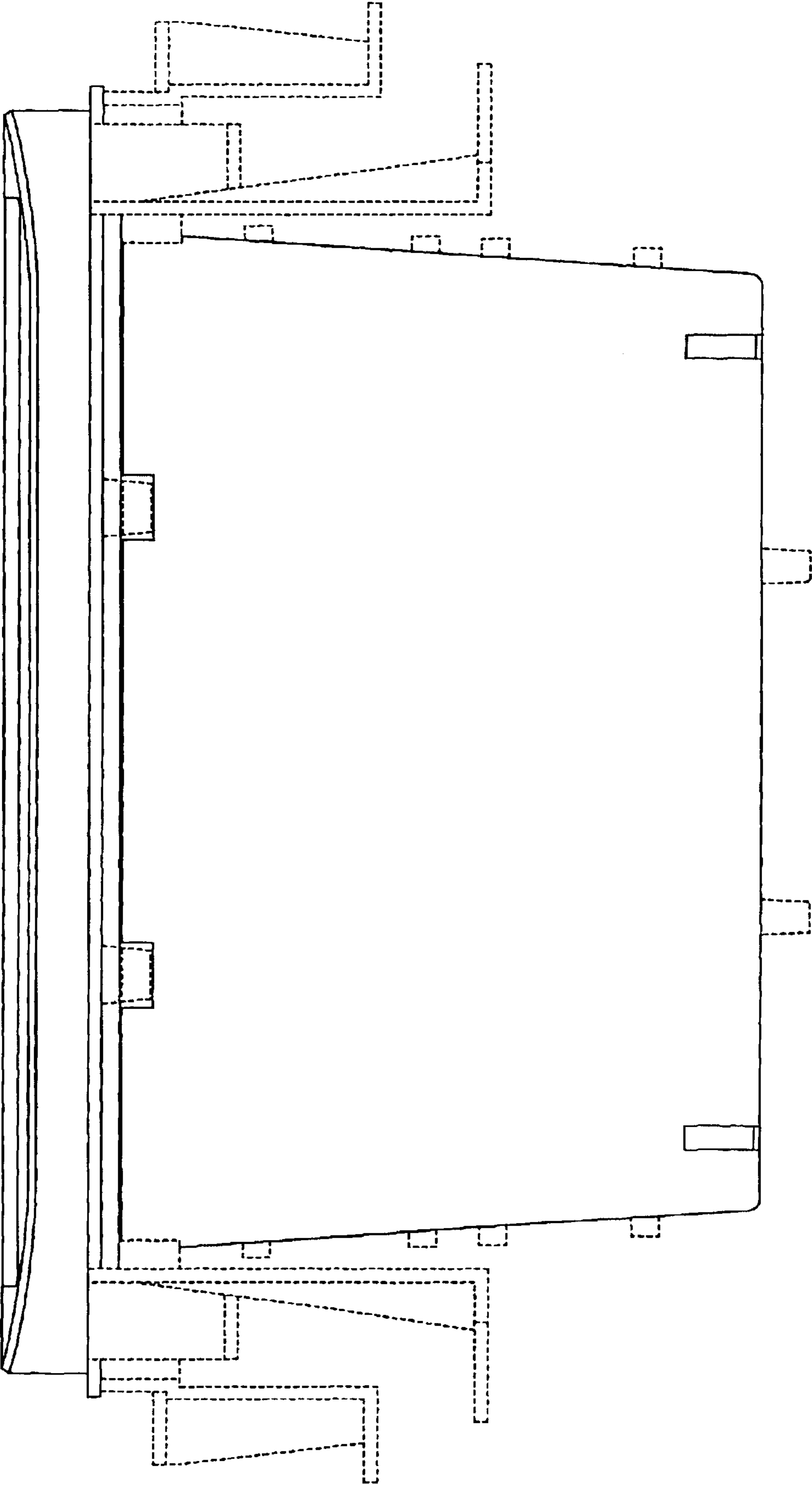


FIG. 4

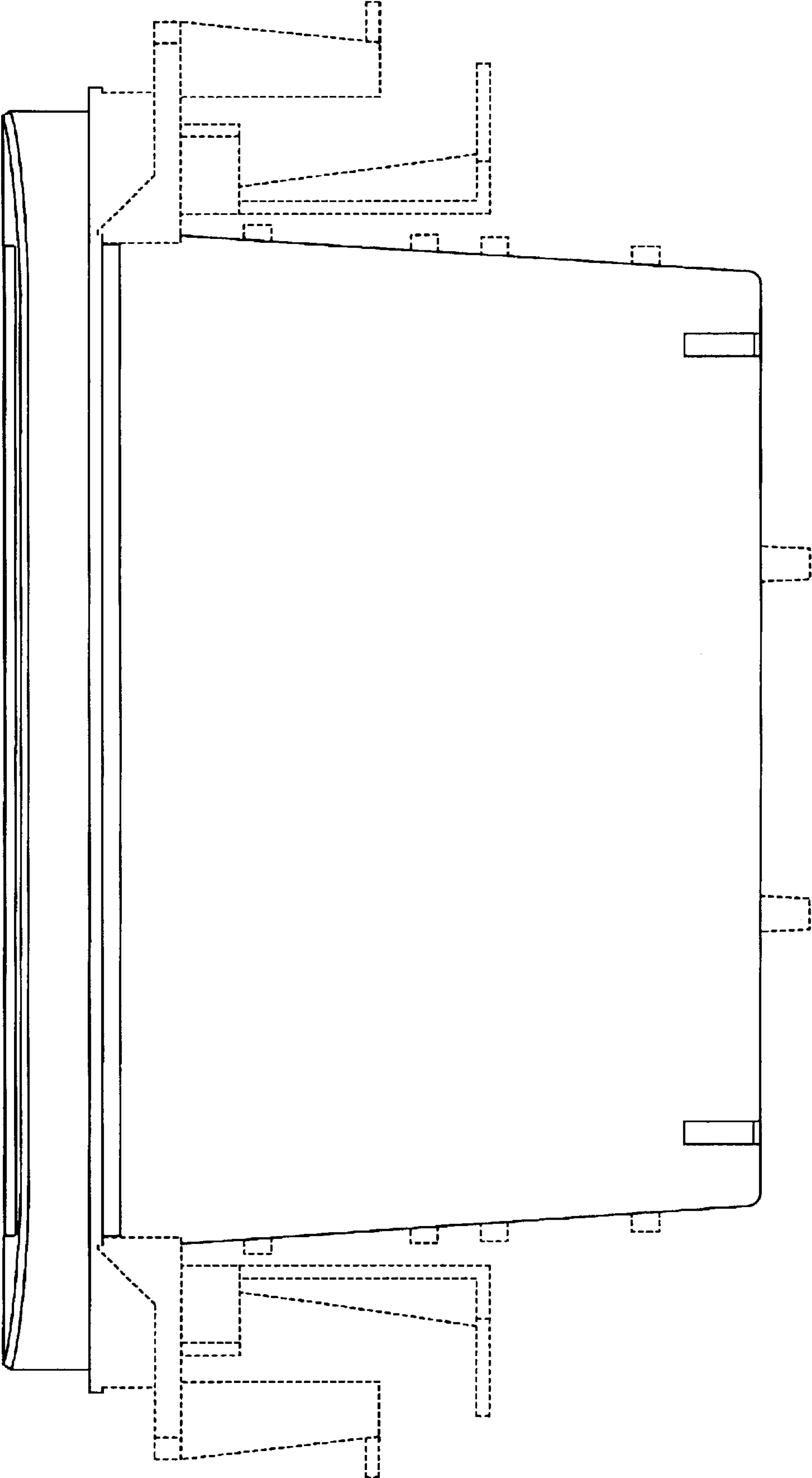


FIG. 5

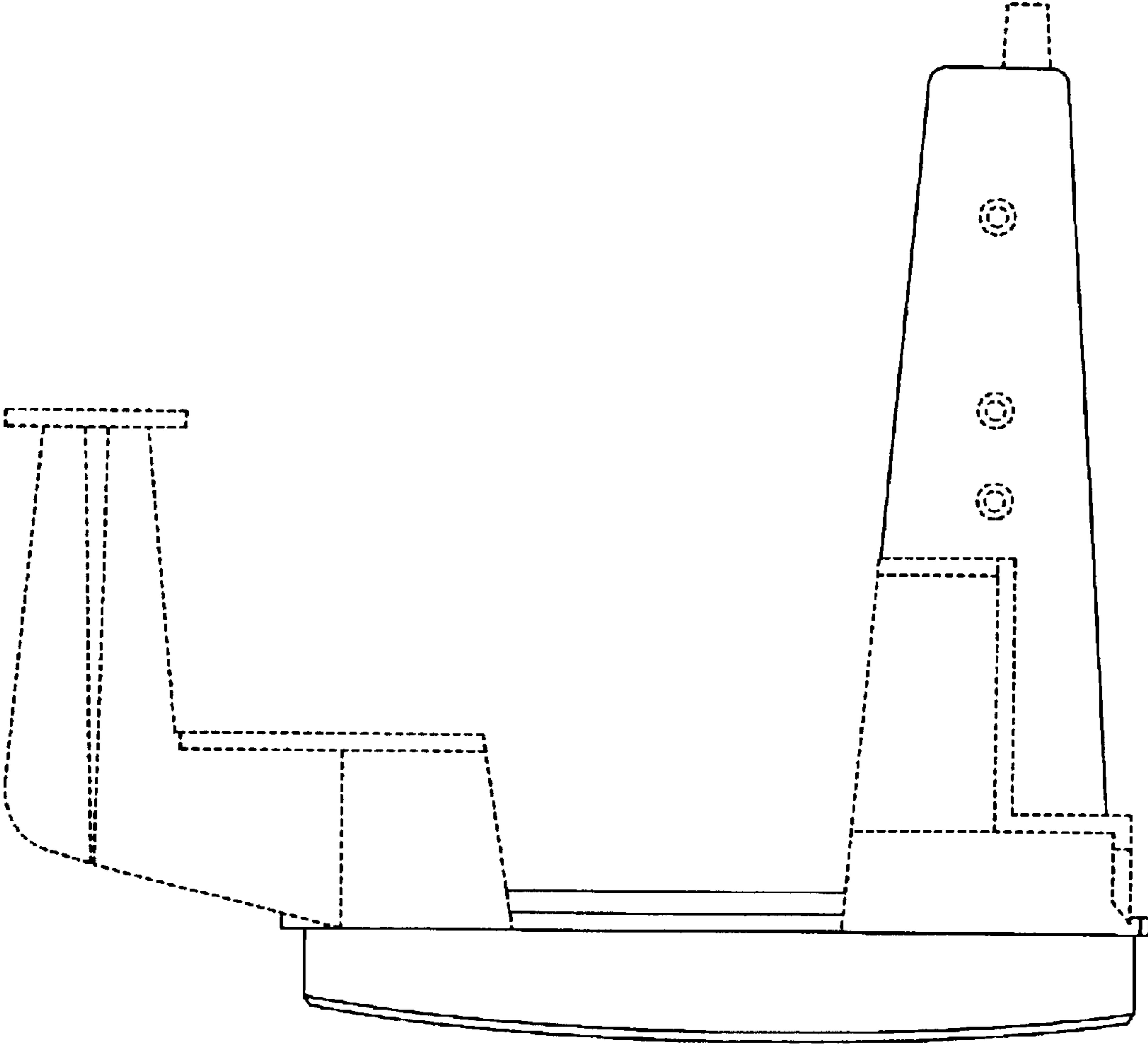


FIG. 6

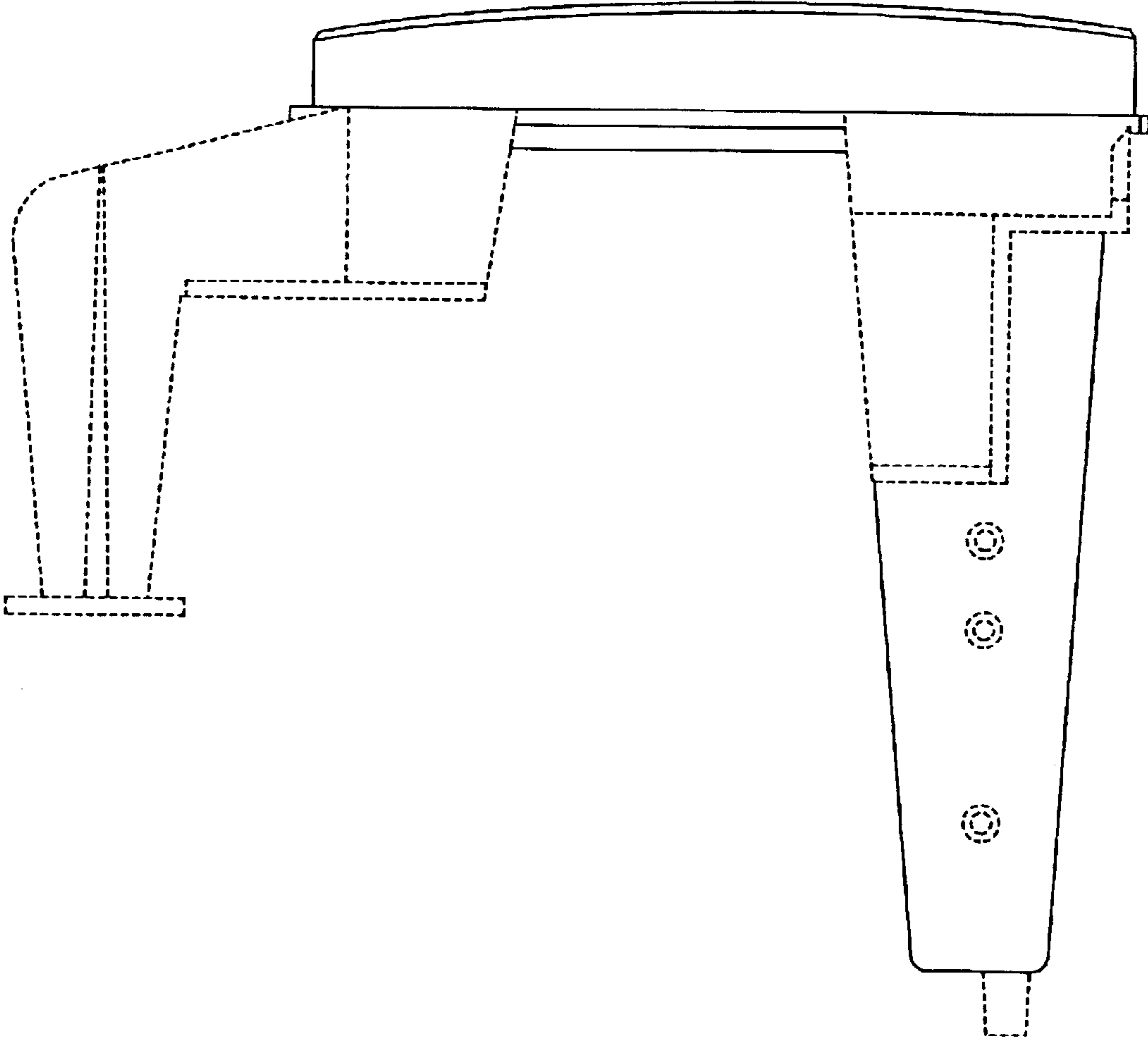


FIG. 7

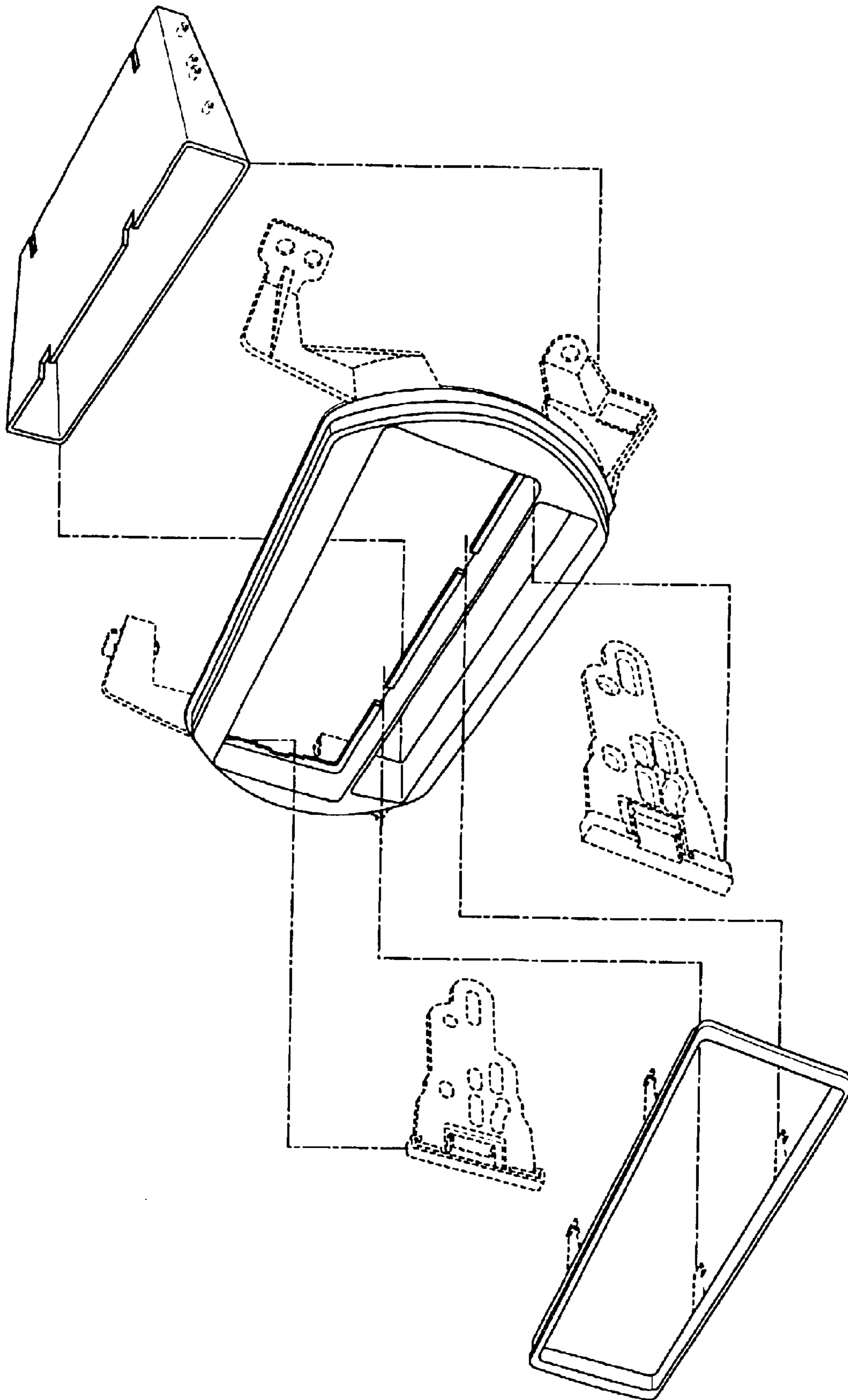


FIG. 8