

US00D496027S1

(12) **United States Design Patent**  
**Dayan**

(10) **Patent No.:** **US D496,027 S**  
(45) **Date of Patent:** **\*\* Sep. 14, 2004**

(54) **SPEAKER ENCLOSURE HAVING DUAL VERTICAL BARS**

(75) Inventor: **Mervin A. Dayan**, Oakhurst, NJ (US)

(73) Assignee: **Roadmaster (USA) Corp.**, Eatontown, NJ (US)

(\*\*) Term: **14 Years**

(21) Appl. No.: **29/176,703**

(22) Filed: **Feb. 24, 2003**

(51) **LOC (7) Cl.** ..... **14-01**

(52) **U.S. Cl.** ..... **D14/215**

(58) **Field of Search** ..... D14/204, 207,  
D14/209-216, 356, 193-198; 181/143-145,  
147-148, 150, 153, 157, 198-199; 381/300-302,  
306, 333, 345, 361-364, 386-388

(56) **References Cited**

**U.S. PATENT DOCUMENTS**

D158,220 S	*	4/1950	Sandler	.....	D14/172
3,026,957 A		3/1962	Gladstone		
3,101,810 A		8/1963	Doschek		
D210,382 S		3/1968	Worth		
D229,191 S		11/1973	Sandler		
D258,208 S		2/1981	Kawachi		
4,286,688 A		9/1981	O'Malley		
D269,871 S		7/1983	Ishizaki		
4,805,729 A	*	2/1989	Wascom	.....	181/144
D305,333 S		1/1990	Irby		
D307,014 S		4/1990	Newman		
D317,007 S		5/1991	Shintani		

D324,389 S		3/1992	Kamata		
D359,286 S		6/1995	Fujino		
5,546,468 A		8/1996	Beard		
D381,989 S		8/1997	Chang		
D413,890 S		9/1999	Eberbach		
D418,836 S	*	1/2000	Matt et al.	.....	D14/196

\* cited by examiner

*Primary Examiner*—Nanda Bondade

(74) *Attorney, Agent, or Firm*—Wolf, Block, Schorr and Solis-Cohen, LLP; Robert F. Zielinski, Esq.; Richard C. Weinblatt, Esq.

(57) **CLAIM**

The ornamental design for a speaker enclosure having dual vertical bars, as shown and described.

**DESCRIPTION**

FIG. 1 is a perspective view showing a first alternate embodiment of the speaker enclosure having dual vertical bars;

FIG. 2 is a top view thereof;

FIG. 3 is a front view thereof;

FIG. 4 is a side view thereof;

FIG. 5 is a perspective view showing a second alternate embodiment of the speaker enclosure having dual vertical bars;

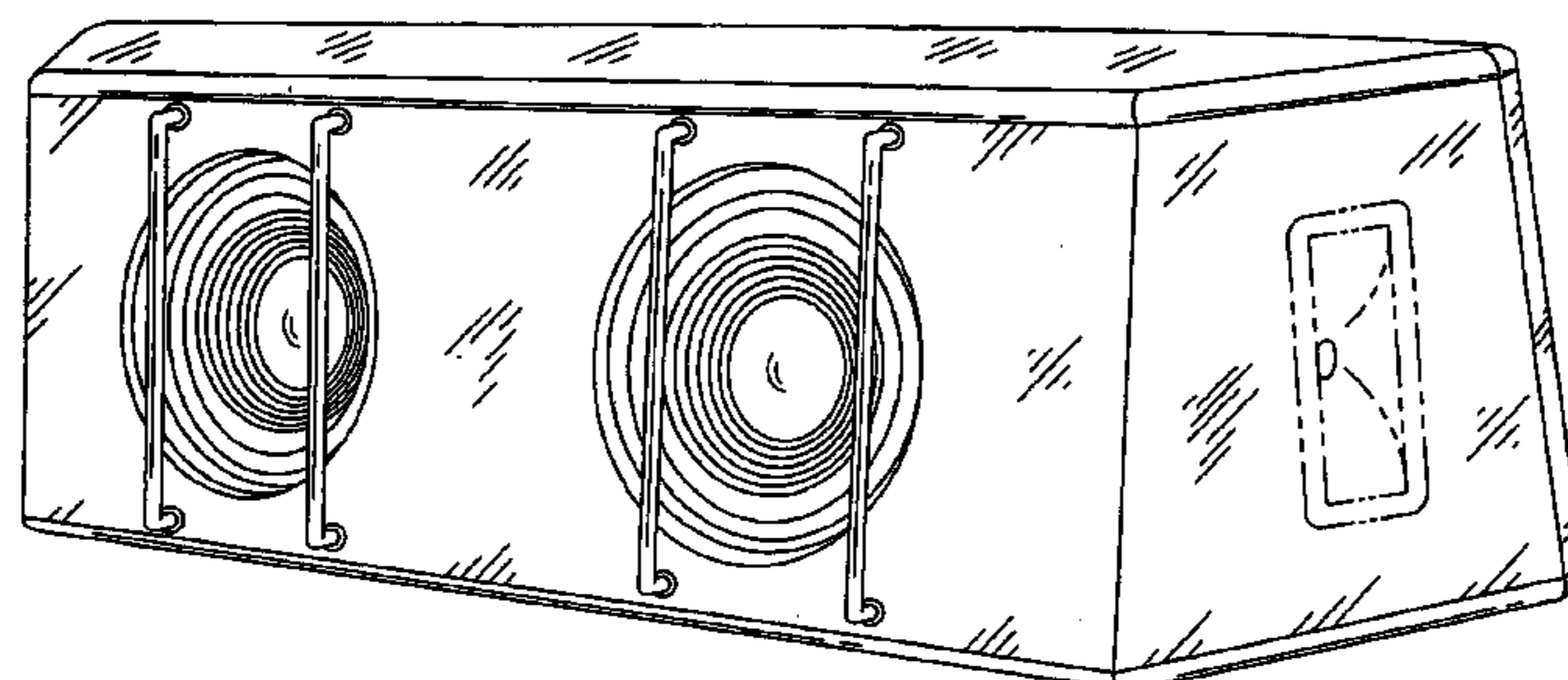
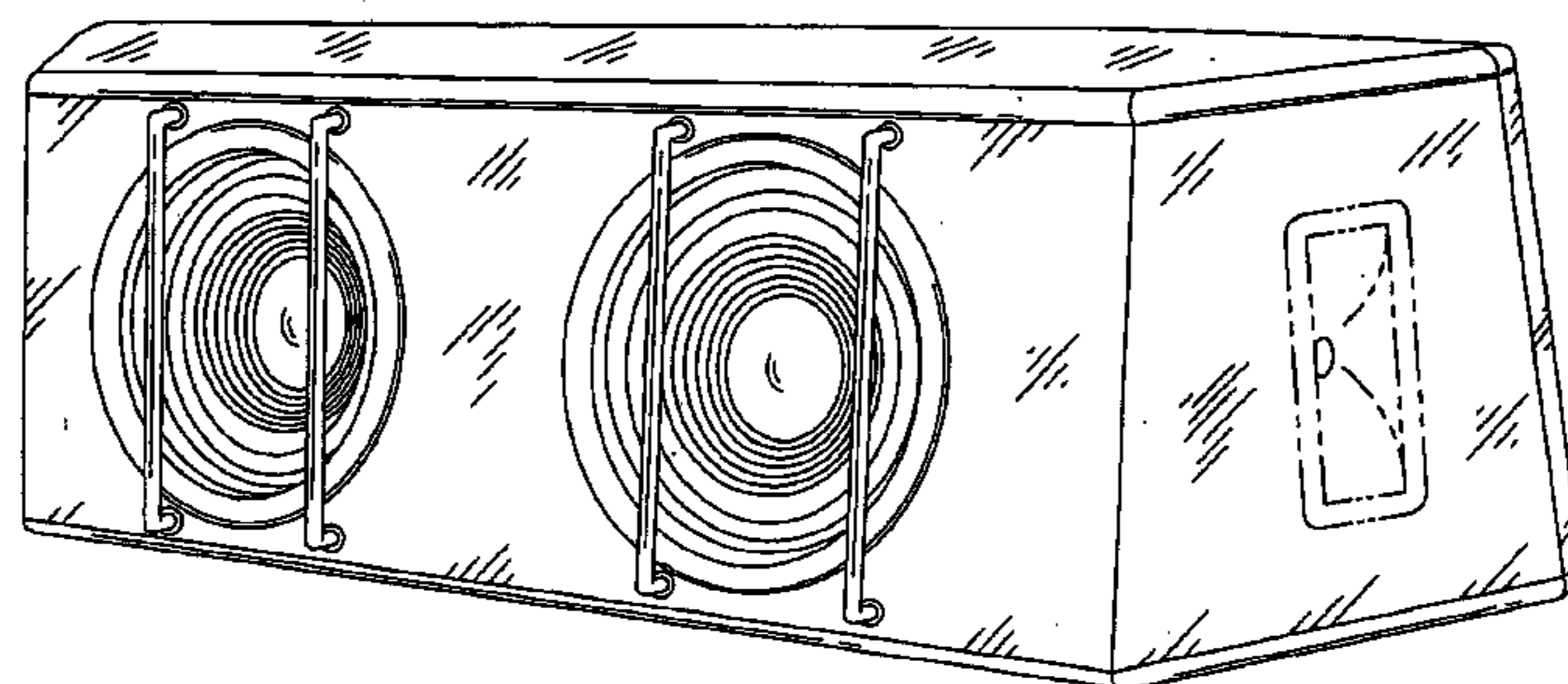
FIG. 6 is a top view thereof;

FIG. 7 is a front view thereof; and,

FIG. 8 is a side view thereof.

The broken lines in the drawings are merely for illustrative purposes and do not form a part of the invention.

**1 Claim, 8 Drawing Sheets**



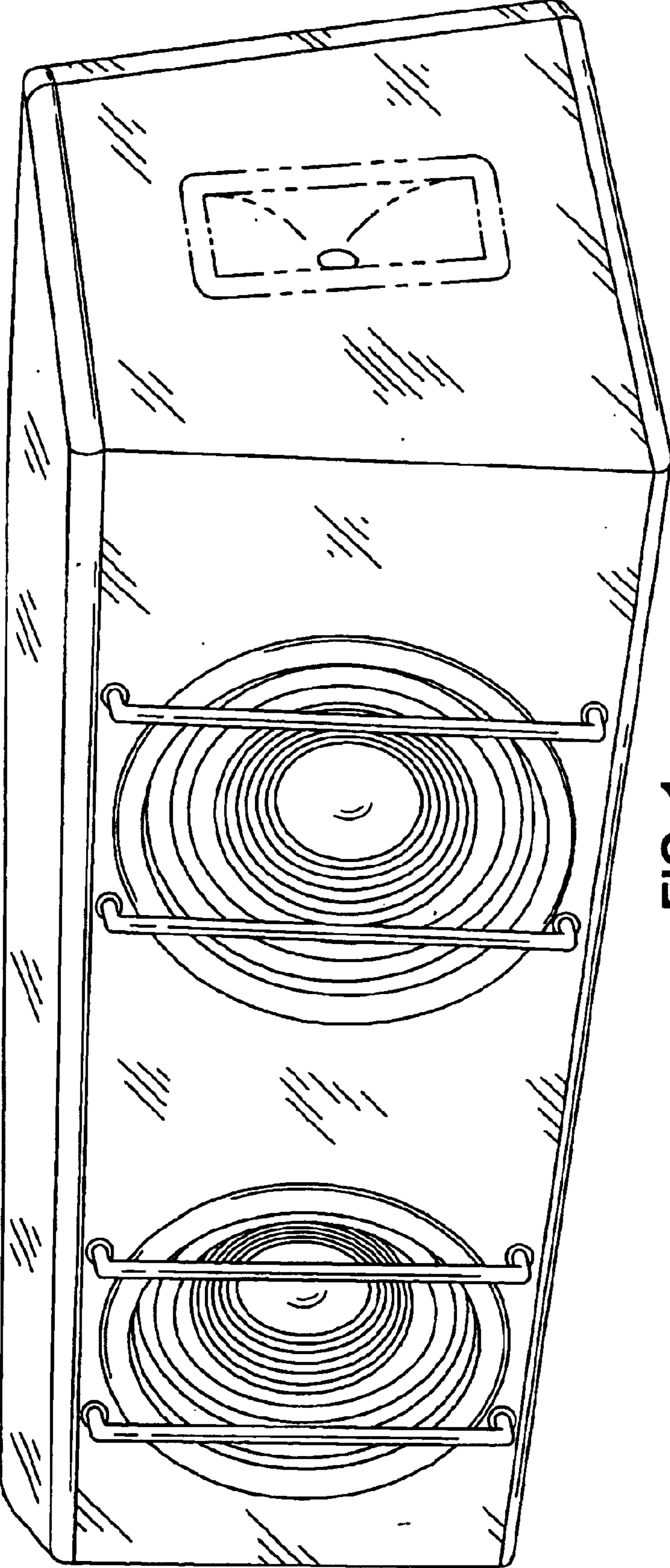


FIG. 1

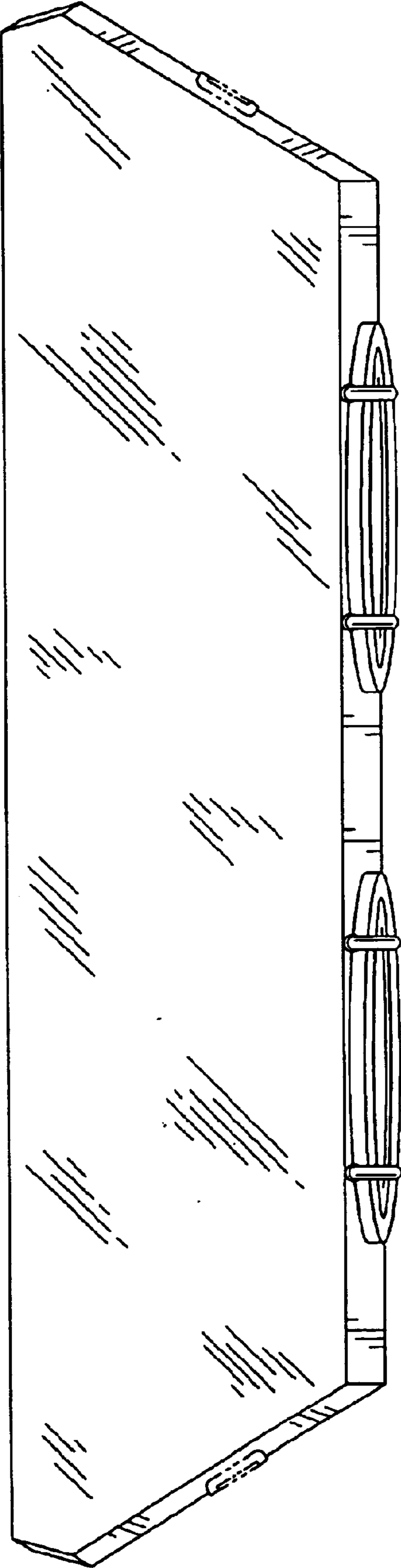


FIG. 2

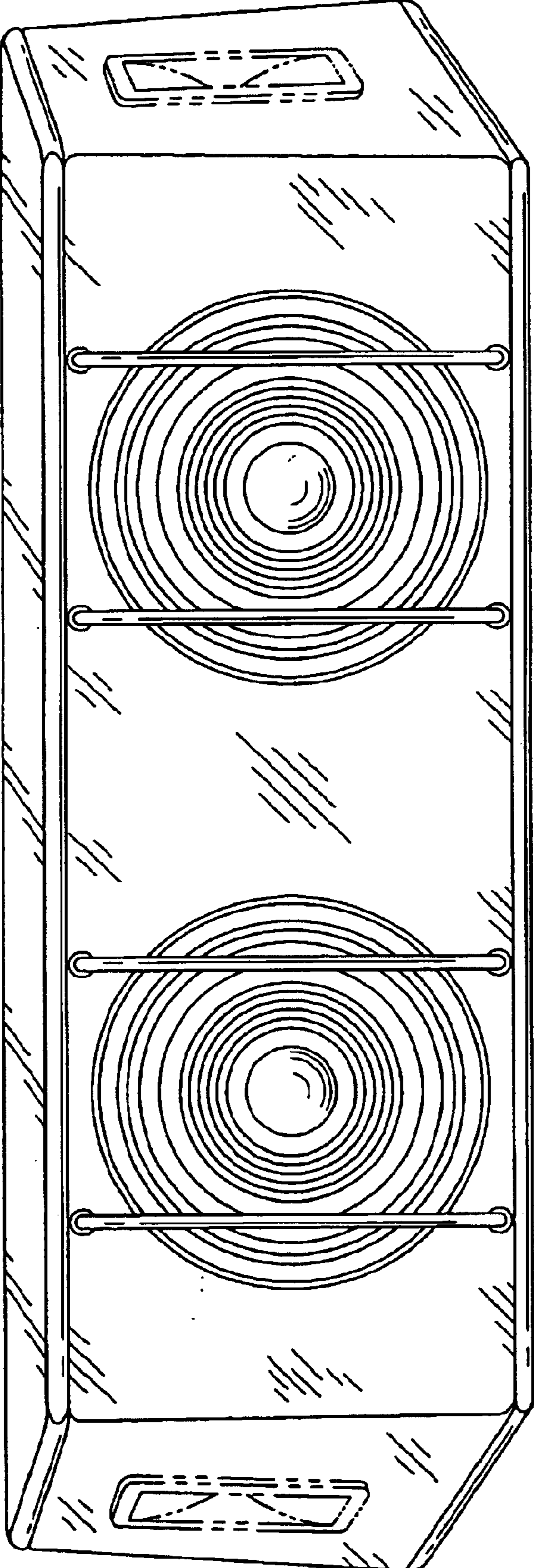
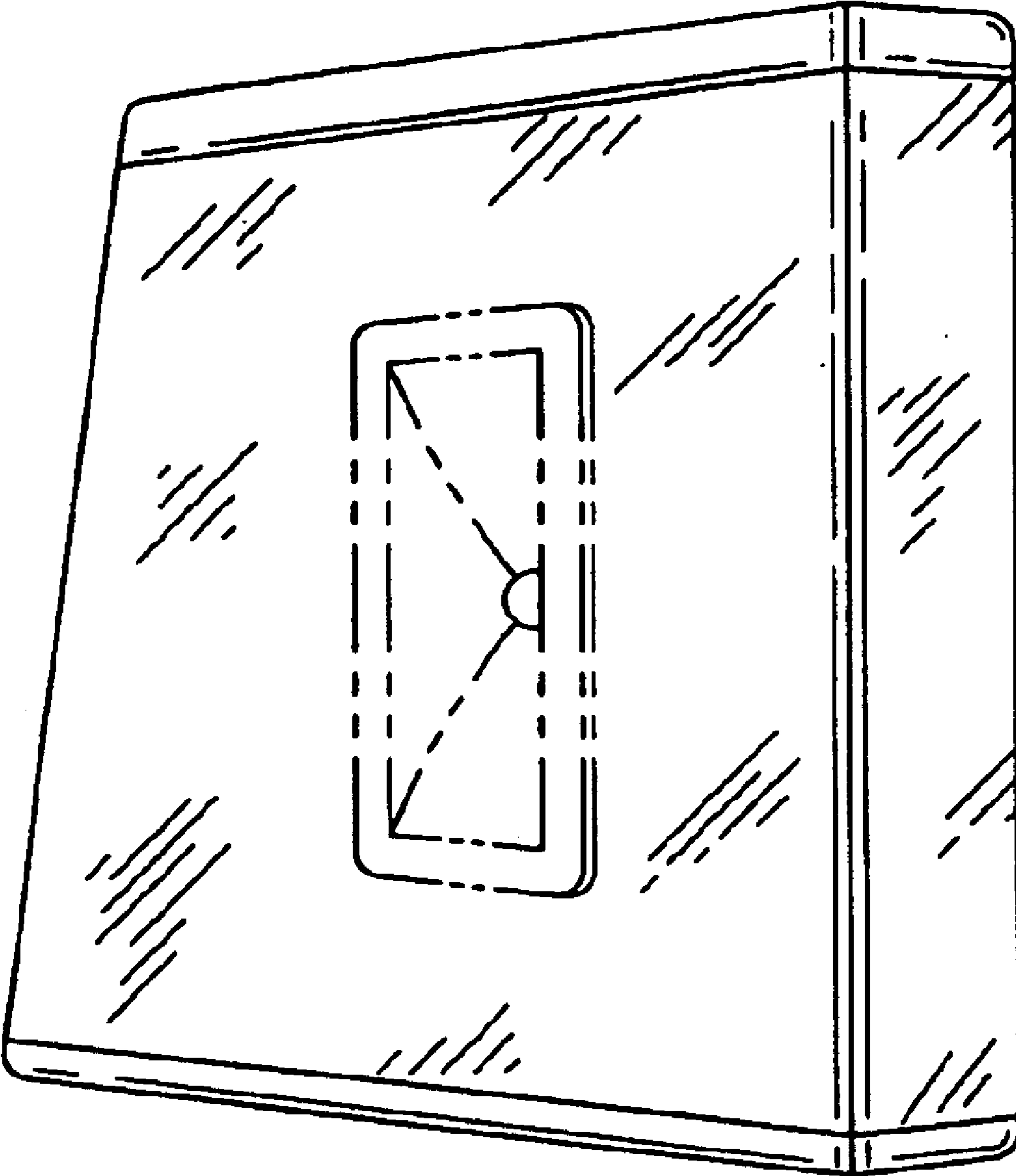


FIG. 3



**FIG. 4**

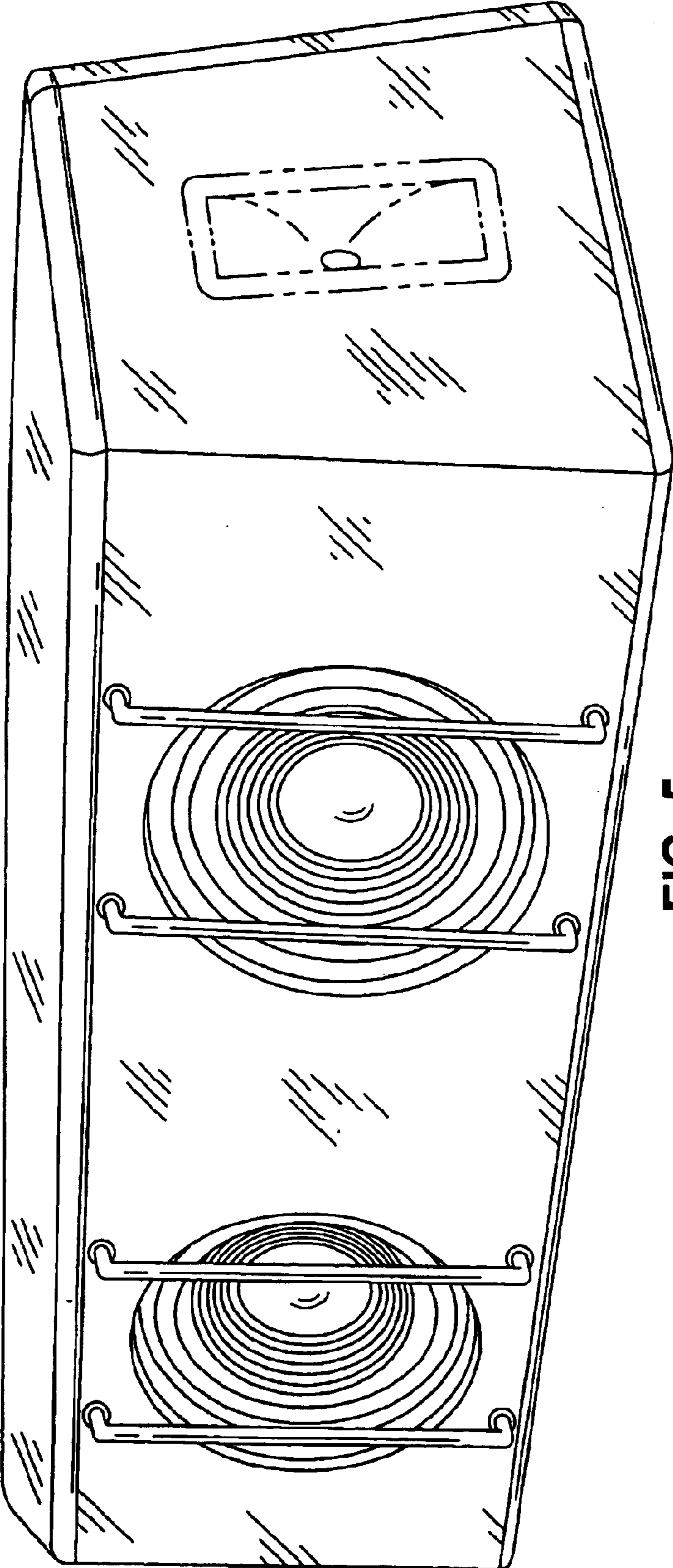


FIG. 5

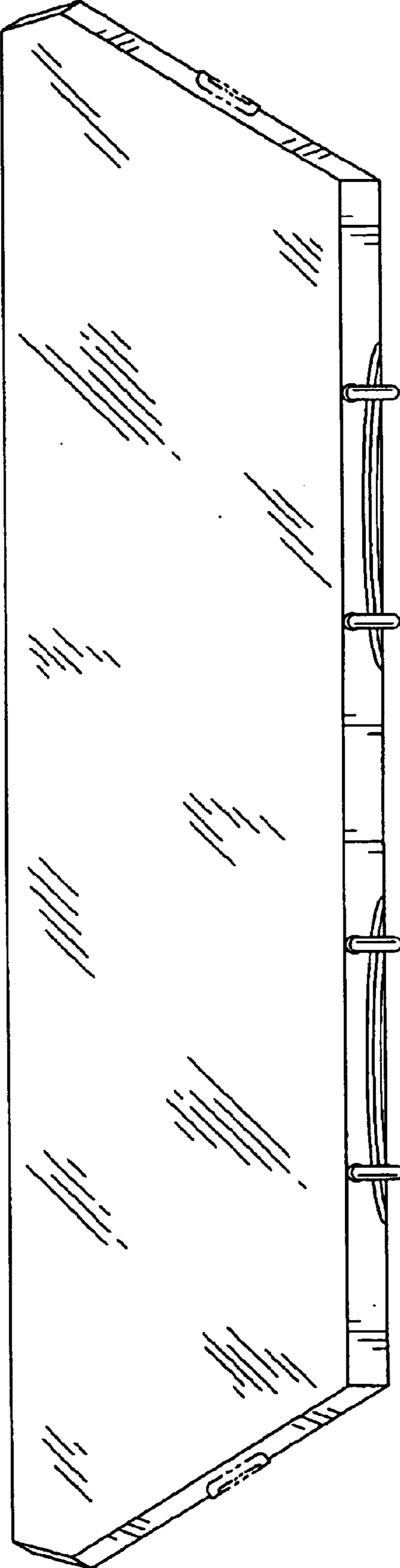


FIG. 6

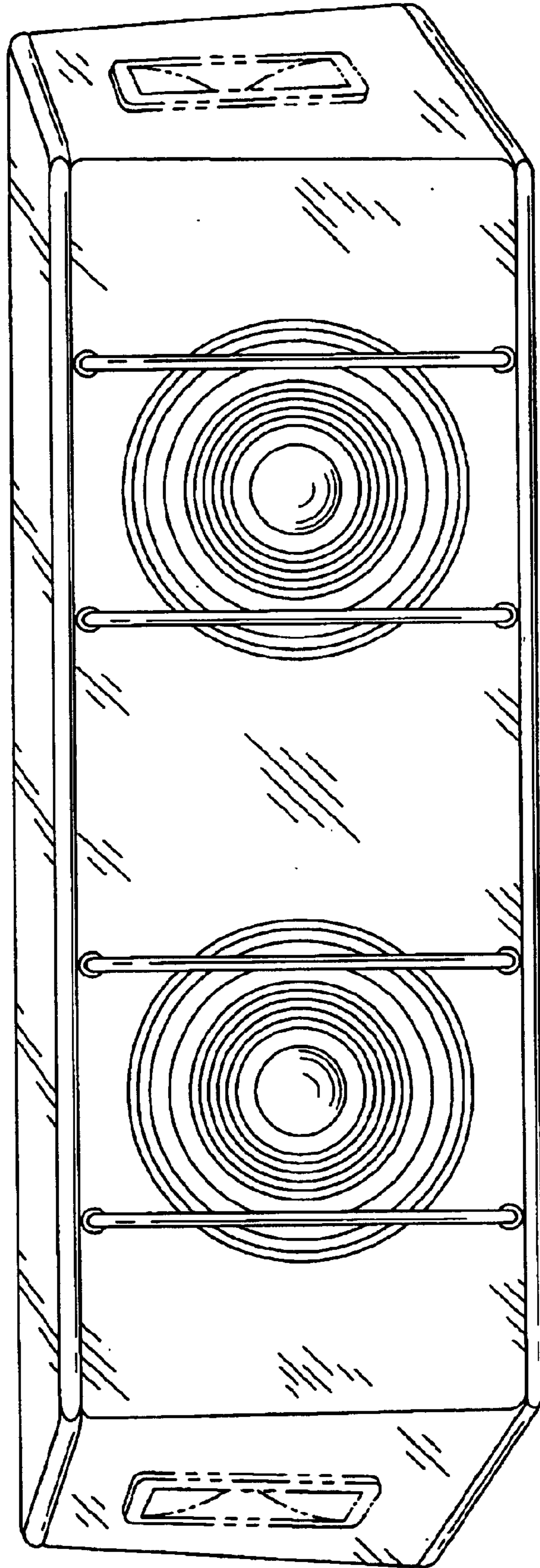
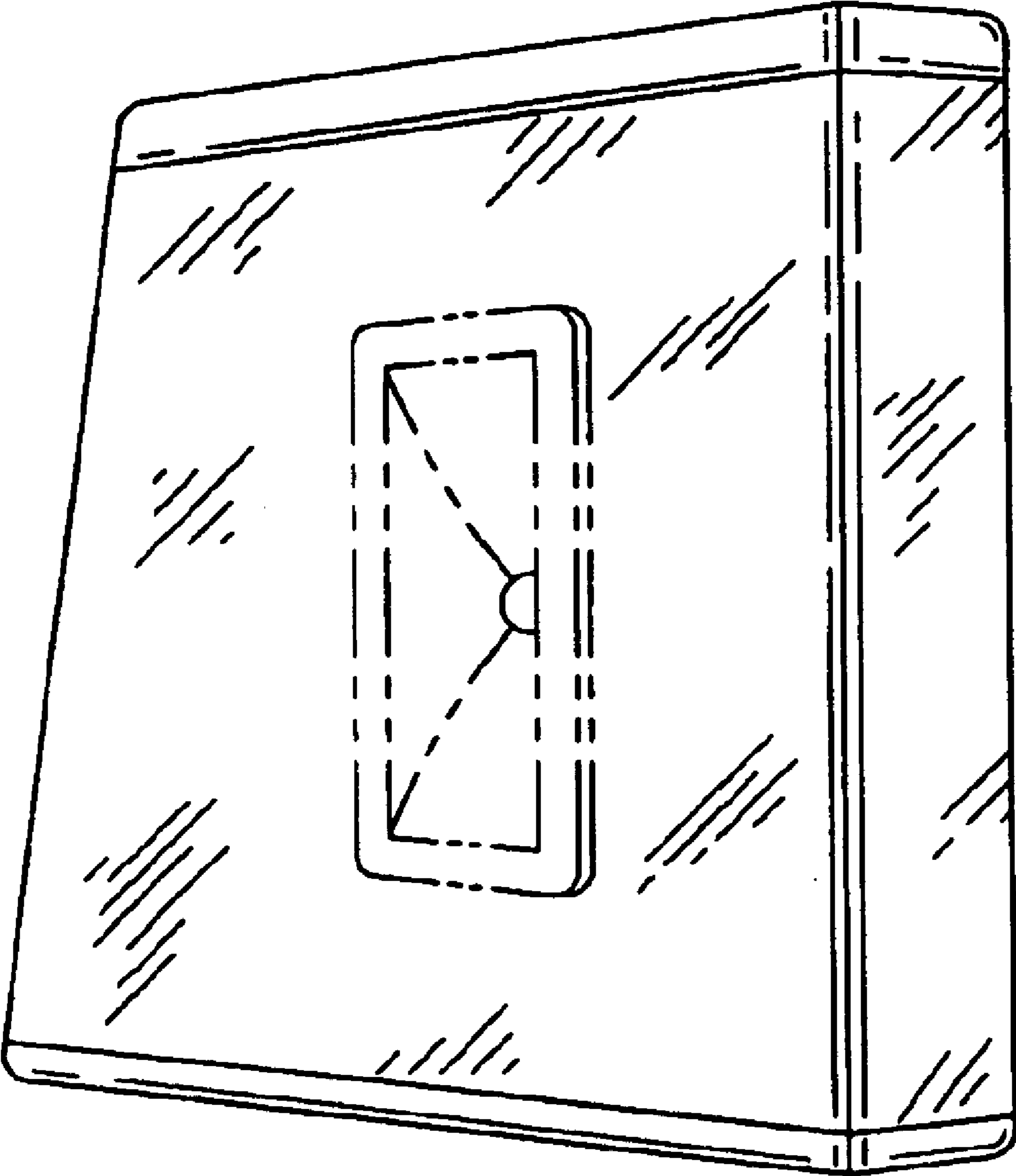


FIG. 7





**FIG. 8**