

US00D496022S1

(12) **United States Design Patent**
Chen

(10) **Patent No.:** **US D496,022 S**

(45) **Date of Patent:** **** Sep. 14, 2004**

(54) **ALARM CLOCK RADIO**

(76) Inventor: **Johnson Chen**, 20418 E. Walnut Dr.
#1G, Walnut, CA (US) 91789

(**) Term: **14 Years**

(21) Appl. No.: **29/197,833**

(22) Filed: **Jan. 20, 2004**

(51) **LOC (7) Cl.** **14-01**

(52) **U.S. Cl.** **D14/171**

(58) **Field of Search** D14/135-136,
D14/160-168, 188, 193-198, 170-171;
455/100, 344, 347-351; D10/1-2, 15

(56) **References Cited**

U.S. PATENT DOCUMENTS

D460,432 S * 7/2002 Brown D14/192

D461,787 S * 8/2002 Brown D14/192

* cited by examiner

Primary Examiner—Nanda Bondade

(74) *Attorney, Agent, or Firm*—Pro-Techtor International Services

(57) **CLAIM**

The ornamental design for an alarm clock radio, as shown and described.

DESCRIPTION

FIG. 1 is a perspective view of an alarm clock radio showing my new design;

FIG. 2 is a front view thereof;

FIG. 3 is a rear view thereof;

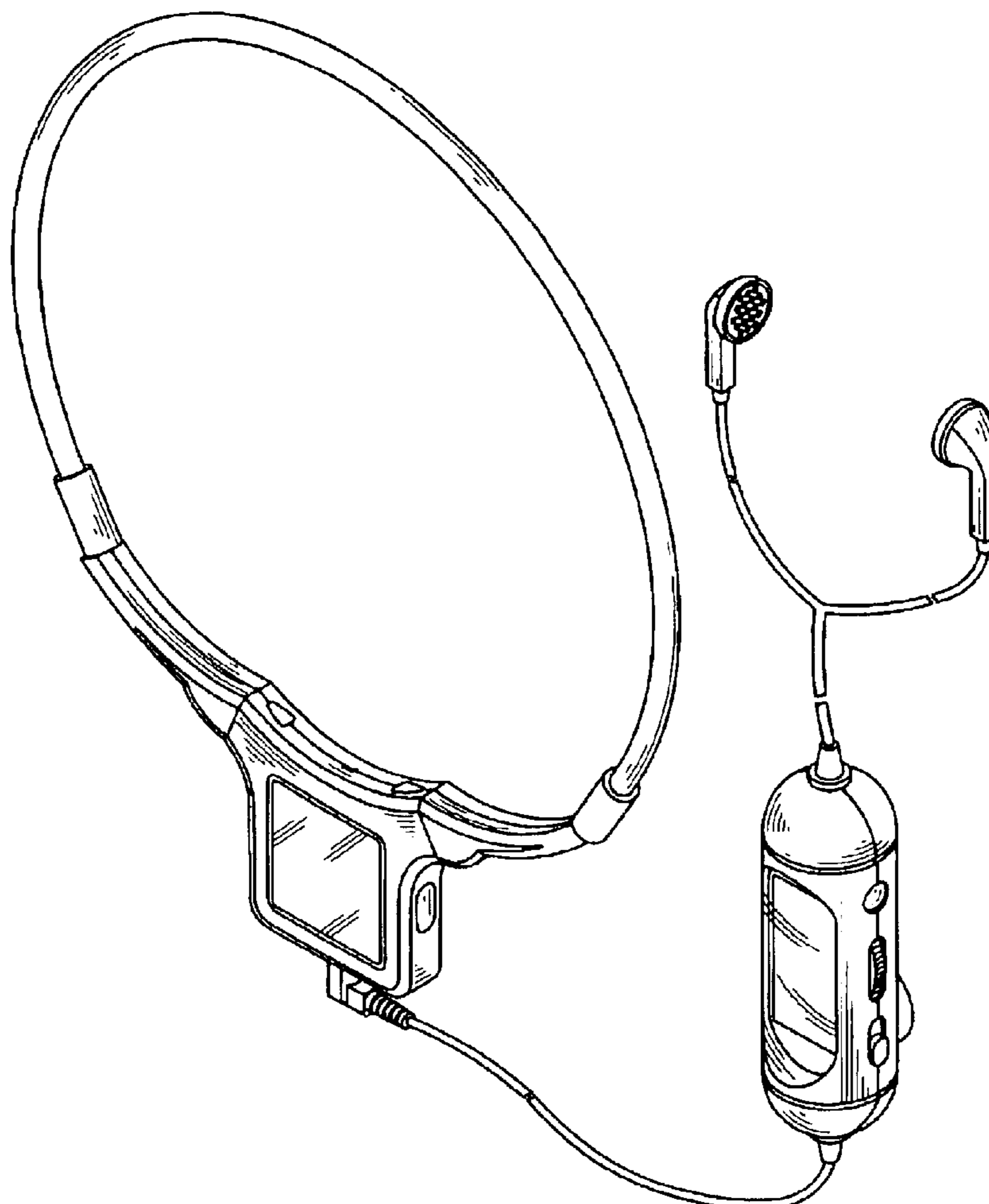
FIG. 4 is a left side view thereof;

FIG. 5 is a right side view thereof;

FIG. 6 is a top view thereof; and,

FIG. 7 is a bottom view thereof.

1 Claim, 5 Drawing Sheets



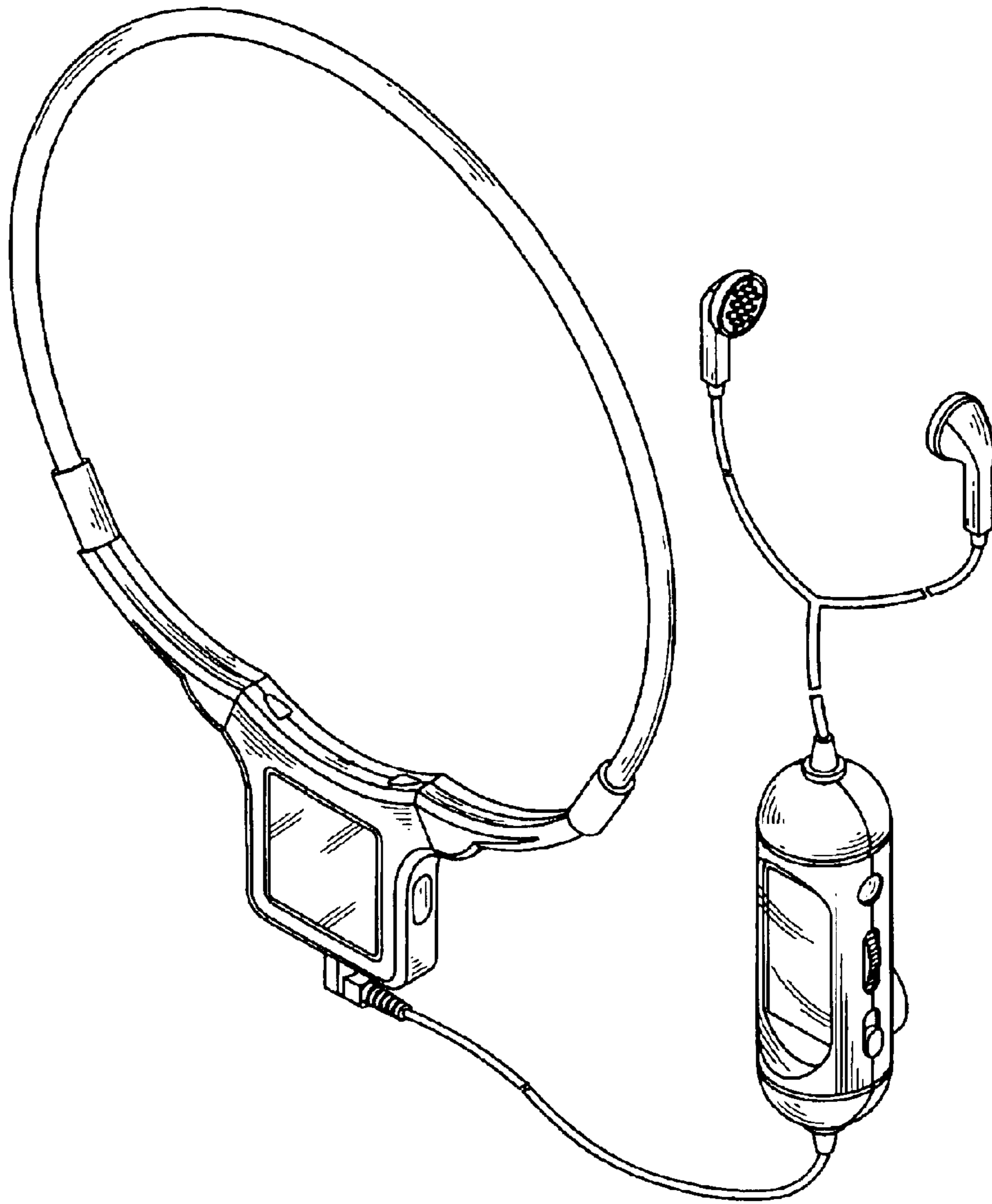


FIG. 1

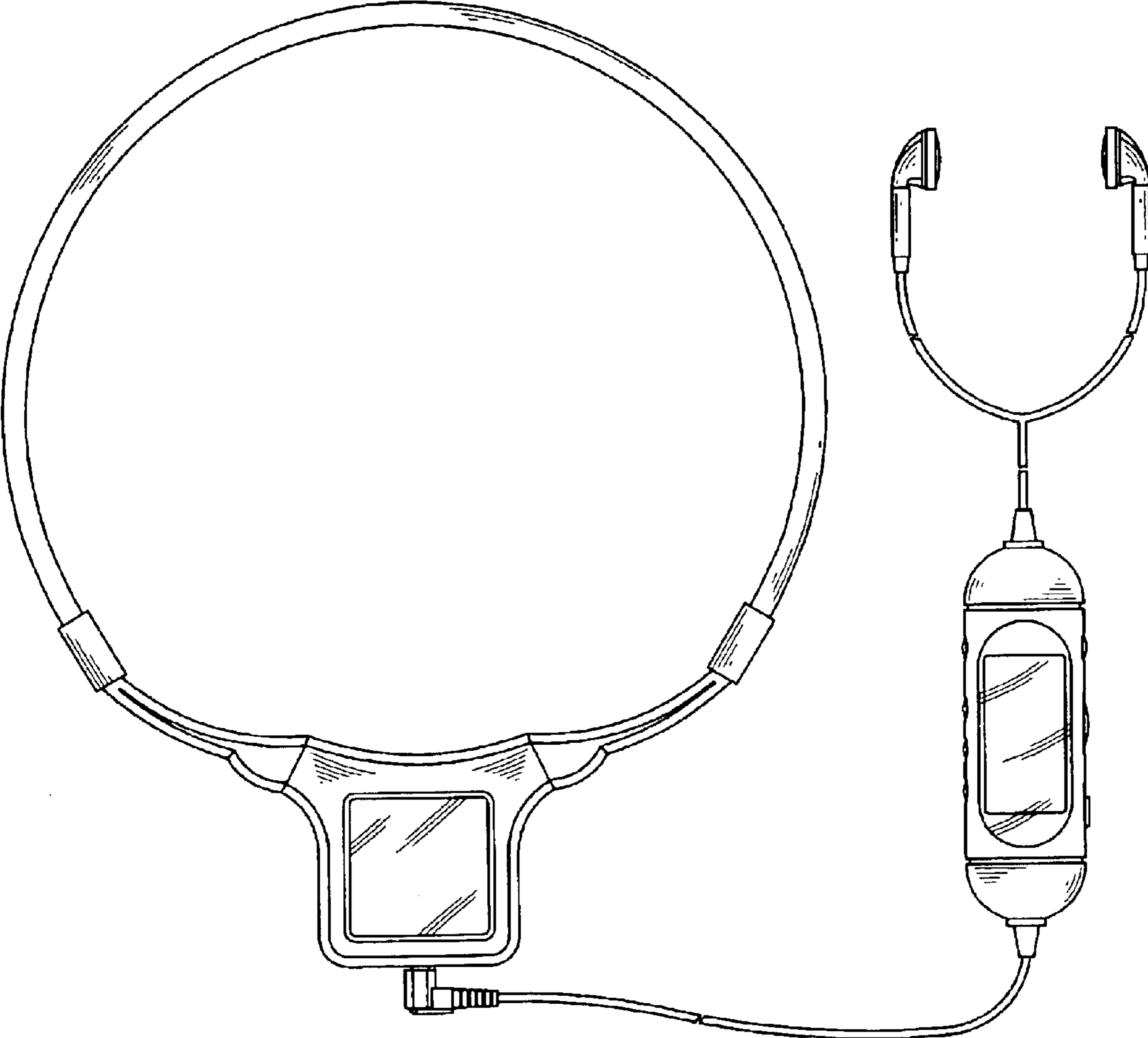


FIG. 2

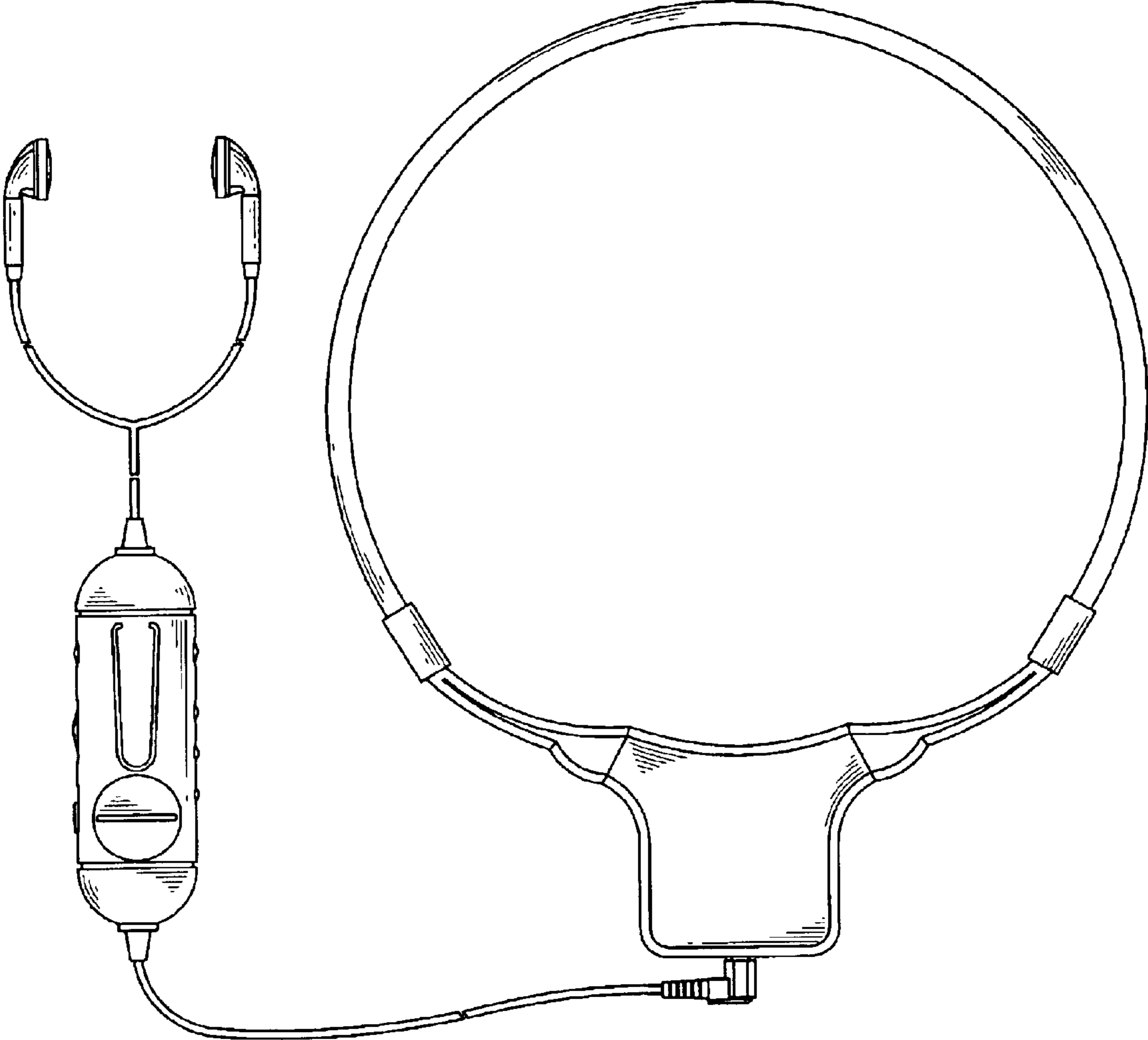


FIG. 3

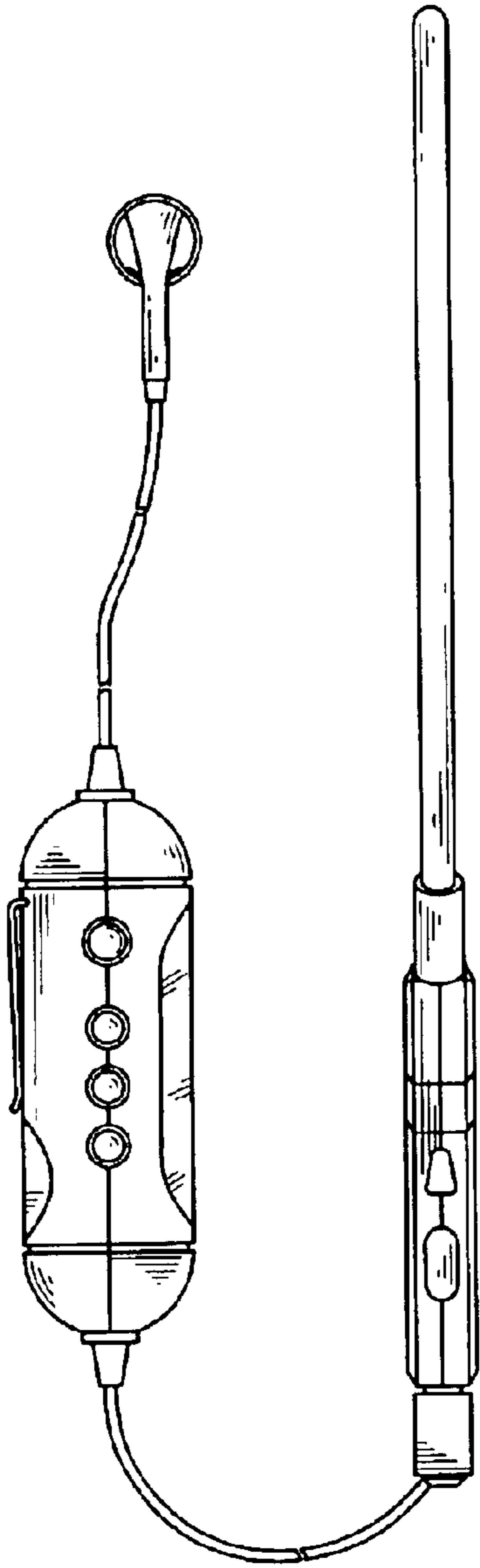


FIG. 4

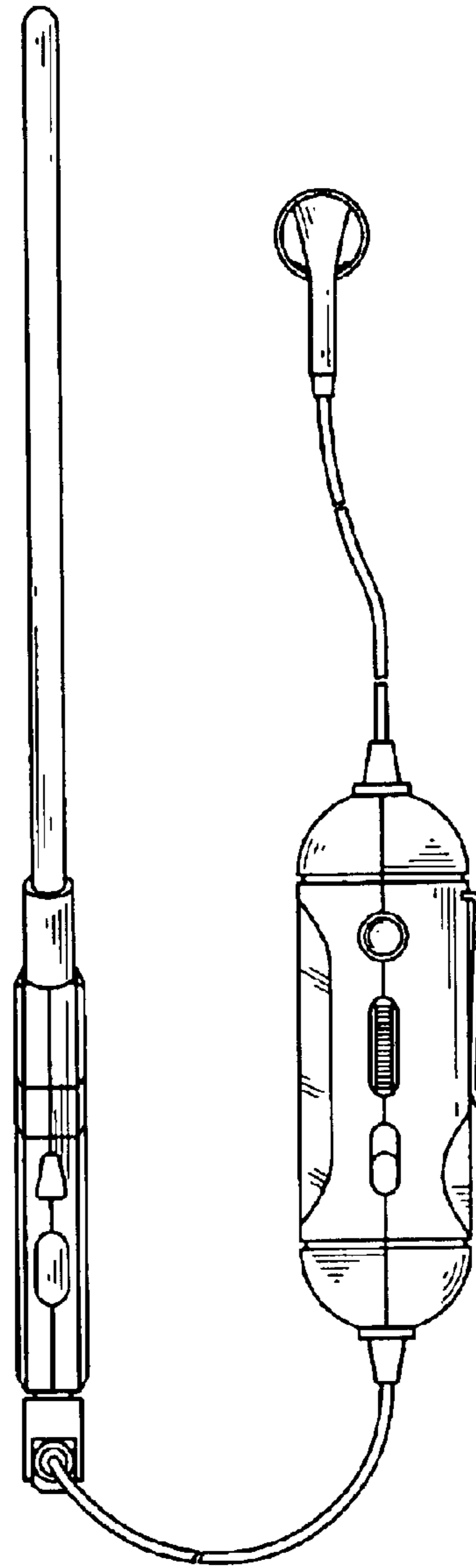


FIG. 5

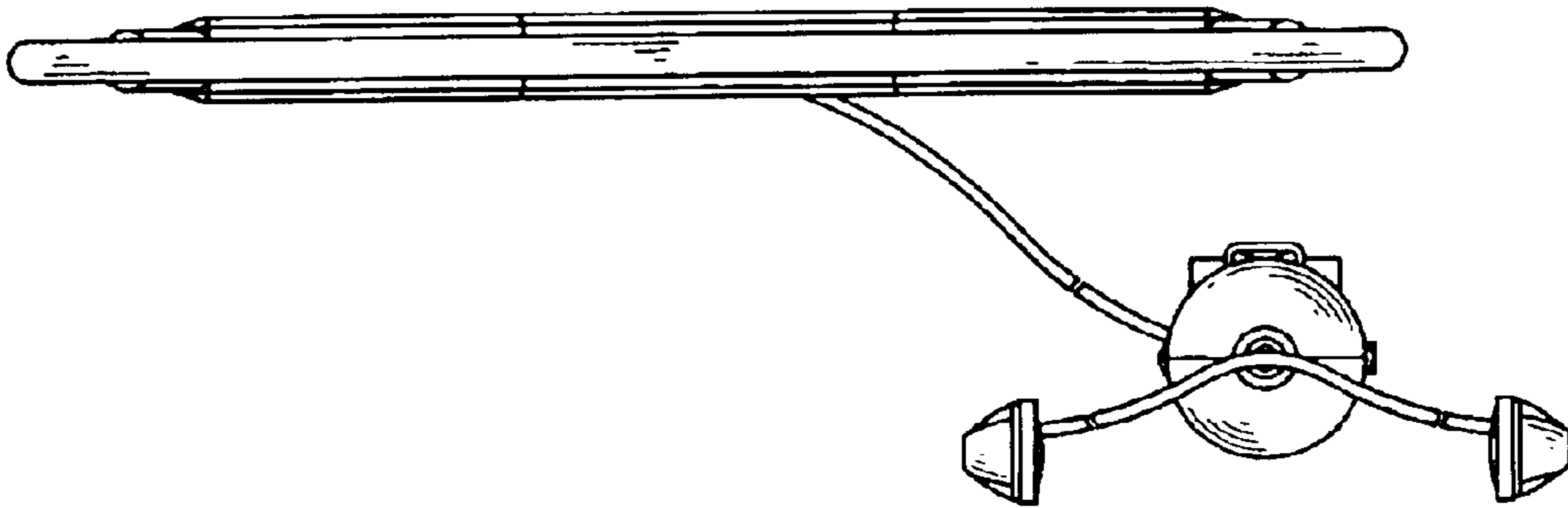


FIG. 6

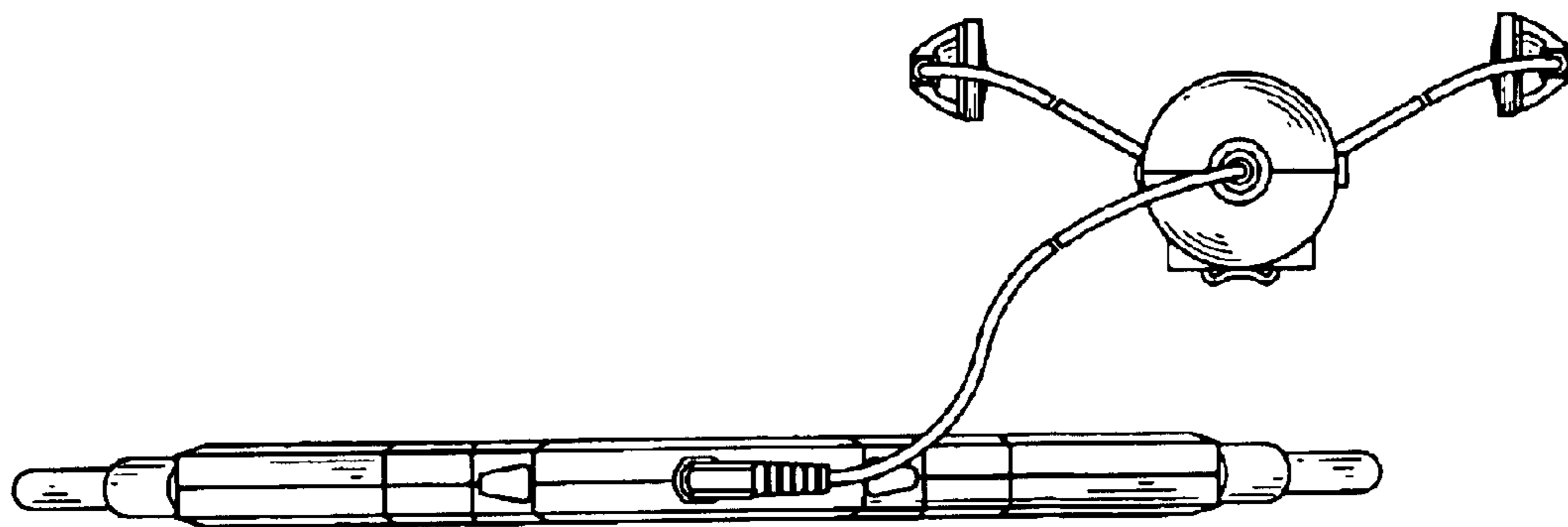


FIG. 7