



US00D496017S1

(12) **United States Design Patent**
Hsu et al.

(10) **Patent No.:** **US D496,017 S**
(45) **Date of Patent:** **** Sep. 14, 2004**

(54) **HOUSING FOR A RADIO TELEPHONE OR SIMILAR ARTICLE**

(75) Inventors: **Fu Yuan Hsu**, Beijing (CN); **Ja Sung Koo**, Seoul (KR)

(73) Assignee: **Motorola, Inc.**, Schaumburg, IL (US)

(**) Term: **14 Years**

(21) Appl. No.: **29/195,422**

(22) Filed: **Dec. 11, 2003**

(30) **Foreign Application Priority Data**

Jun. 12, 2003 (CN) 03 3 09899

(51) **LOC (7) Cl.** **14-03**

(52) **U.S. Cl.** **D14/138**

(58) **Field of Search** D14/137, 138, D14/218, 147-148, 247-248, 144, 341-347; 379/433.01-433.13, 419, 434, 428.01-428.04, 420.01-420.04, 440; 455/550.1-90.3; D21/517; D13/168; D18/2, 7; 345/168, 169

(56) **References Cited**

U.S. PATENT DOCUMENTS

- D447,128 S * 8/2001 Lee et al. D14/138
- 6,396,924 B1 * 5/2002 Suso et al. 379/433.13
- D458,240 S * 6/2002 Suzuki et al. D14/138
- D459,329 S * 6/2002 Suzuki et al. D14/138
- D464,632 S * 10/2002 Nagai et al. D14/138
- D468,714 S * 1/2003 Maruska et al. D14/138

- D475,689 S * 6/2003 Shimazu et al. D14/138
- D476,303 S * 6/2003 Lee et al. D14/138
- D477,293 S * 7/2003 Hwang D14/138
- D477,294 S * 7/2003 Ikeda et al. D14/138
- D483,341 S * 12/2003 Rausch et al. D14/138
- D487,071 S * 2/2004 Hotta et al. D14/138
- D487,736 S * 3/2004 Okada et al. D14/138
- D488,791 S * 4/2004 Honda et al. D14/138
- 2001/0011029 A1 * 8/2001 Iwabuchi et al. 455/566
- 2002/0187818 A1 * 12/2002 Kang 455/575
- 2003/0030624 A1 * 2/2003 Aoyama 345/168
- 2003/0083107 A1 * 5/2003 Morishima 455/566
- 2003/0203747 A1 * 10/2003 Nagamine 455/575.3

* cited by examiner

Primary Examiner—Jeffrey Asch

(74) *Attorney, Agent, or Firm*—Randall S. Vaas

(57) **CLAIM**

The ornamental design for a housing for a radio telephone or similar article, as shown.

DESCRIPTION

FIG. 1 is a perspective view of a housing for a radio telephone or similar article.

FIG. 2 is a front plan view;

FIG. 3 is a back plan view;

FIG. 4 is a left-side plan view;

FIG. 5 is a right-side plan view;

FIG. 6 is a top plan view; and,

FIG. 7 is a bottom plan view.

1 Claim, 3 Drawing Sheets

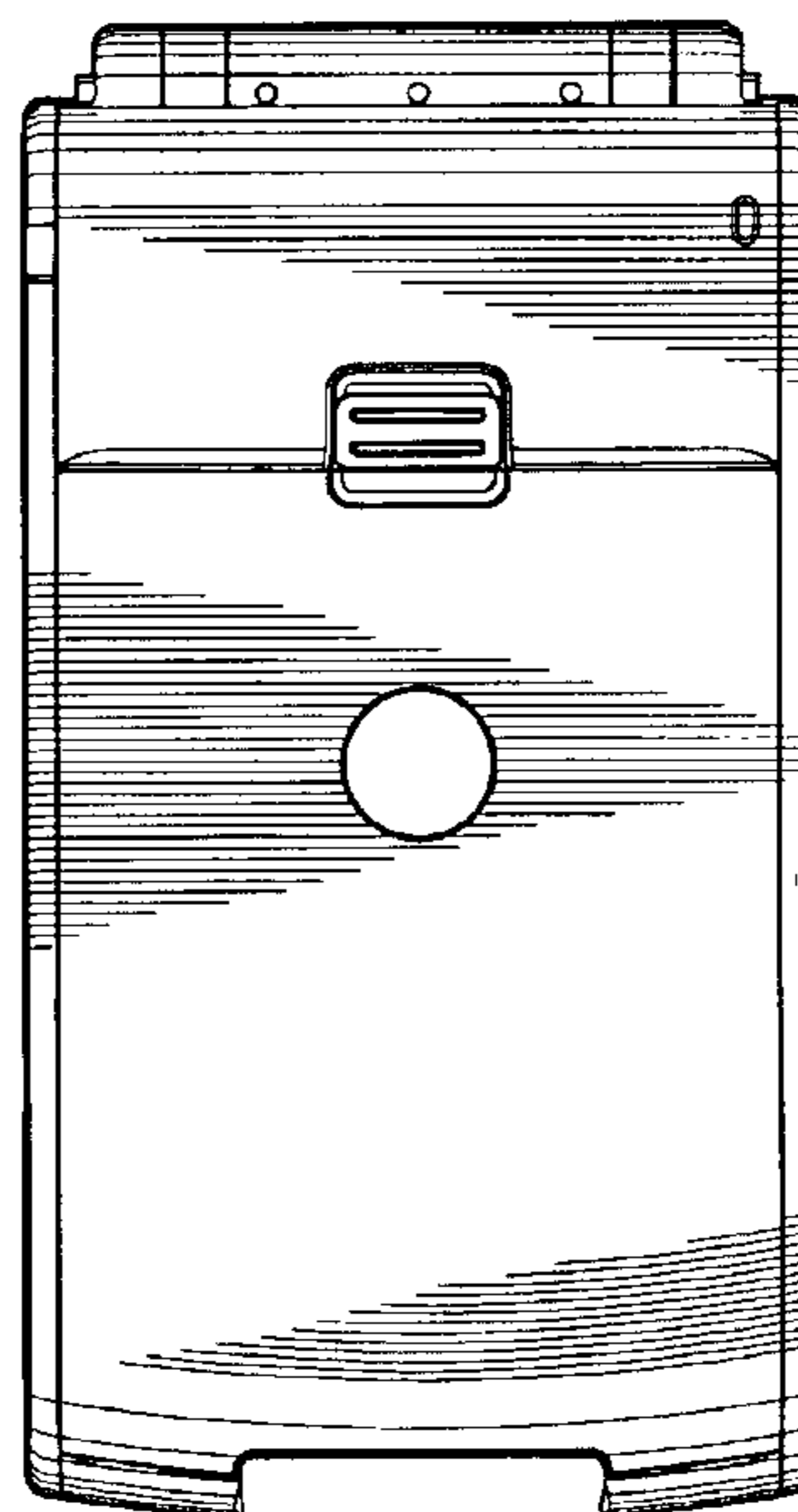
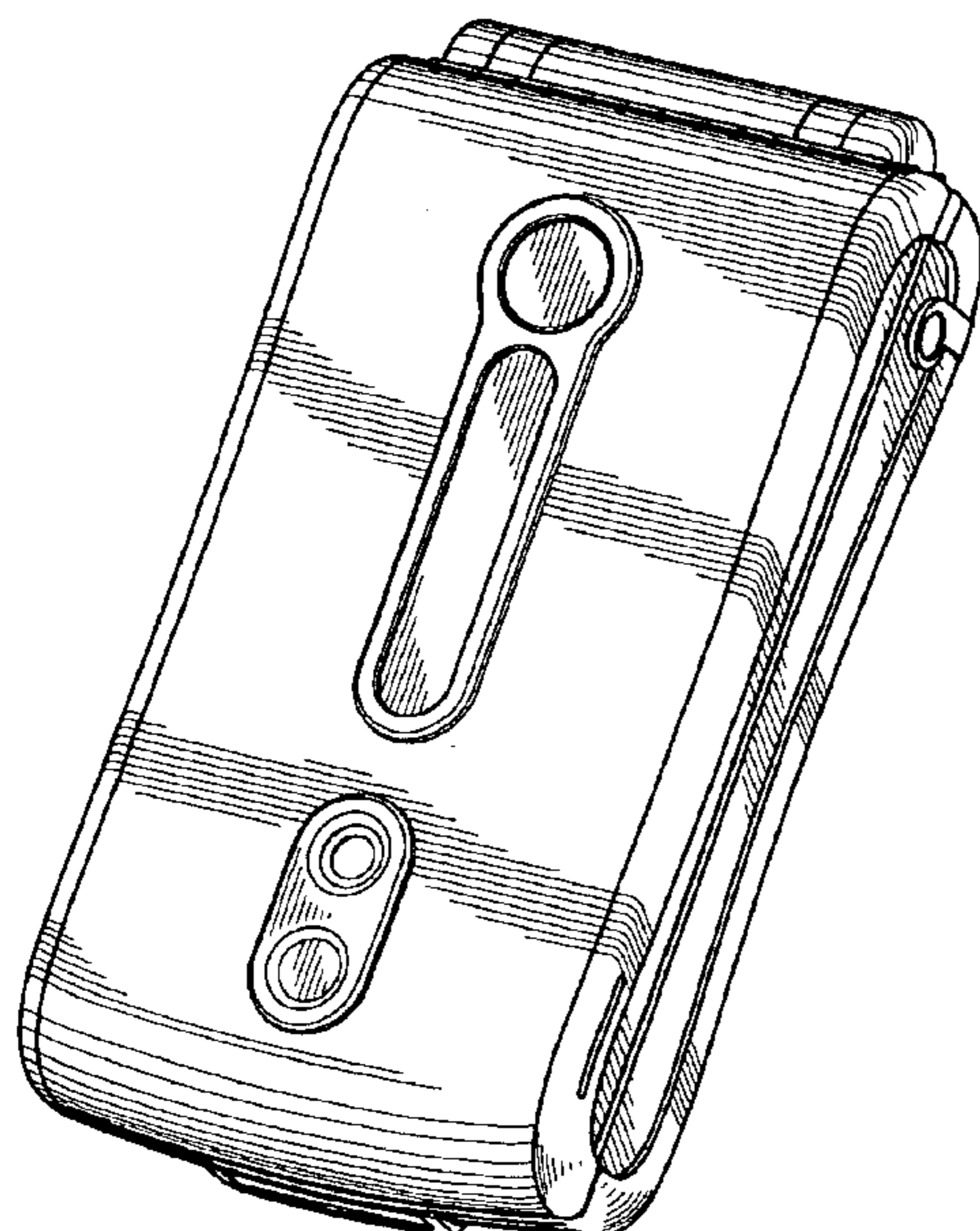




FIG. 1

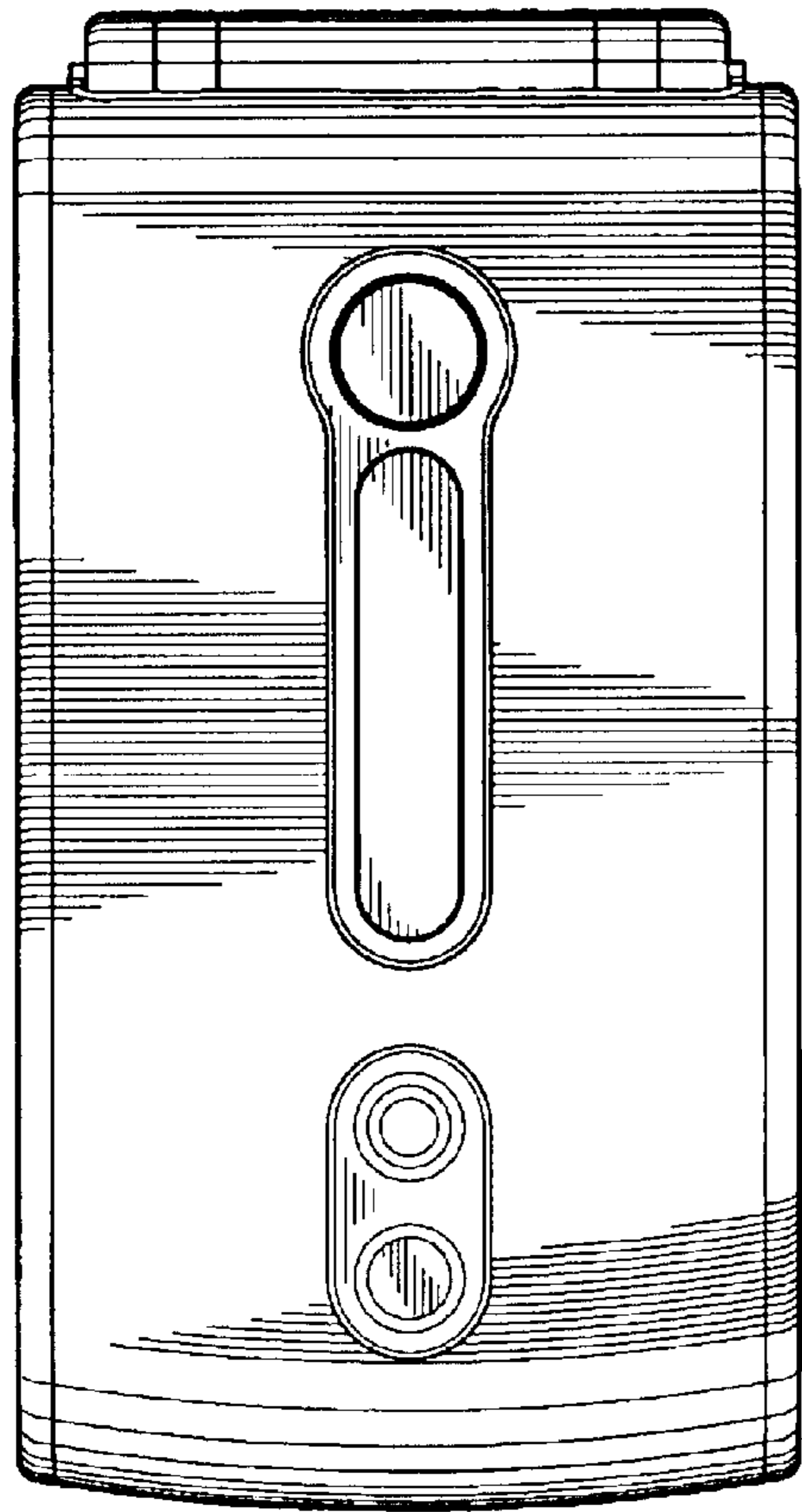


FIG. 2

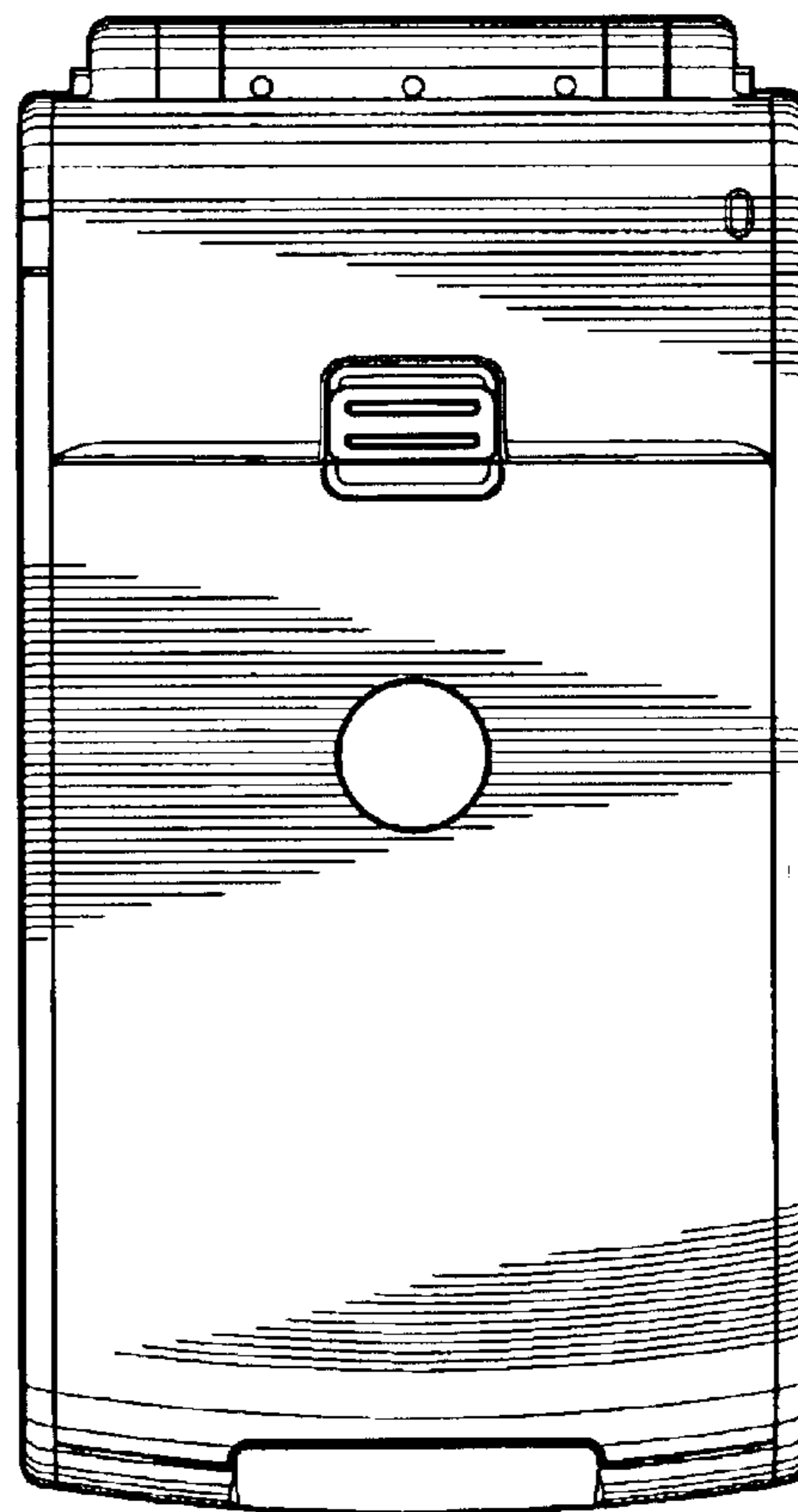


FIG. 3

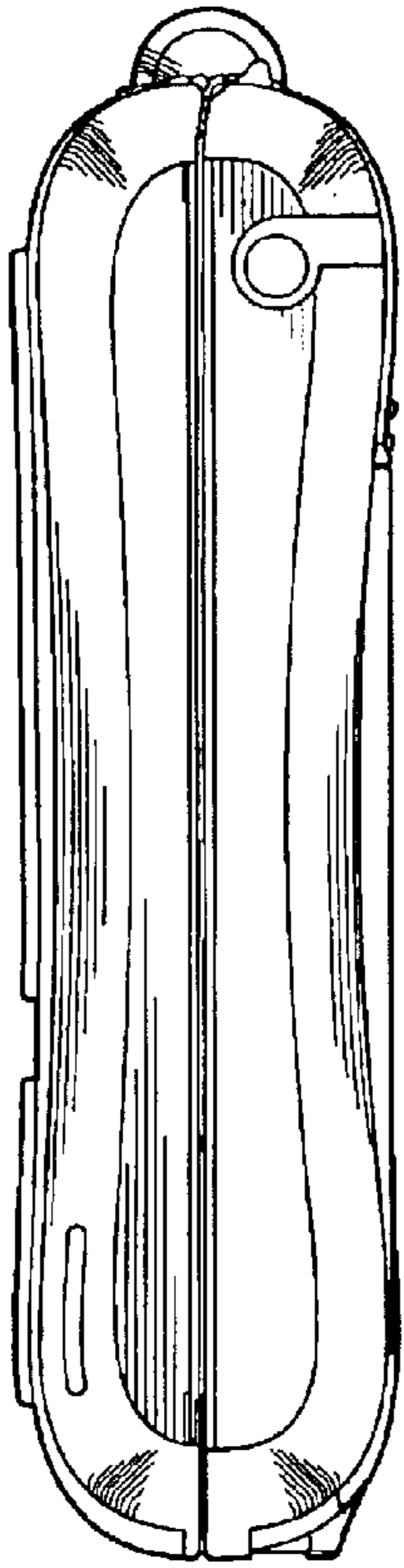


FIG. 4



FIG. 5

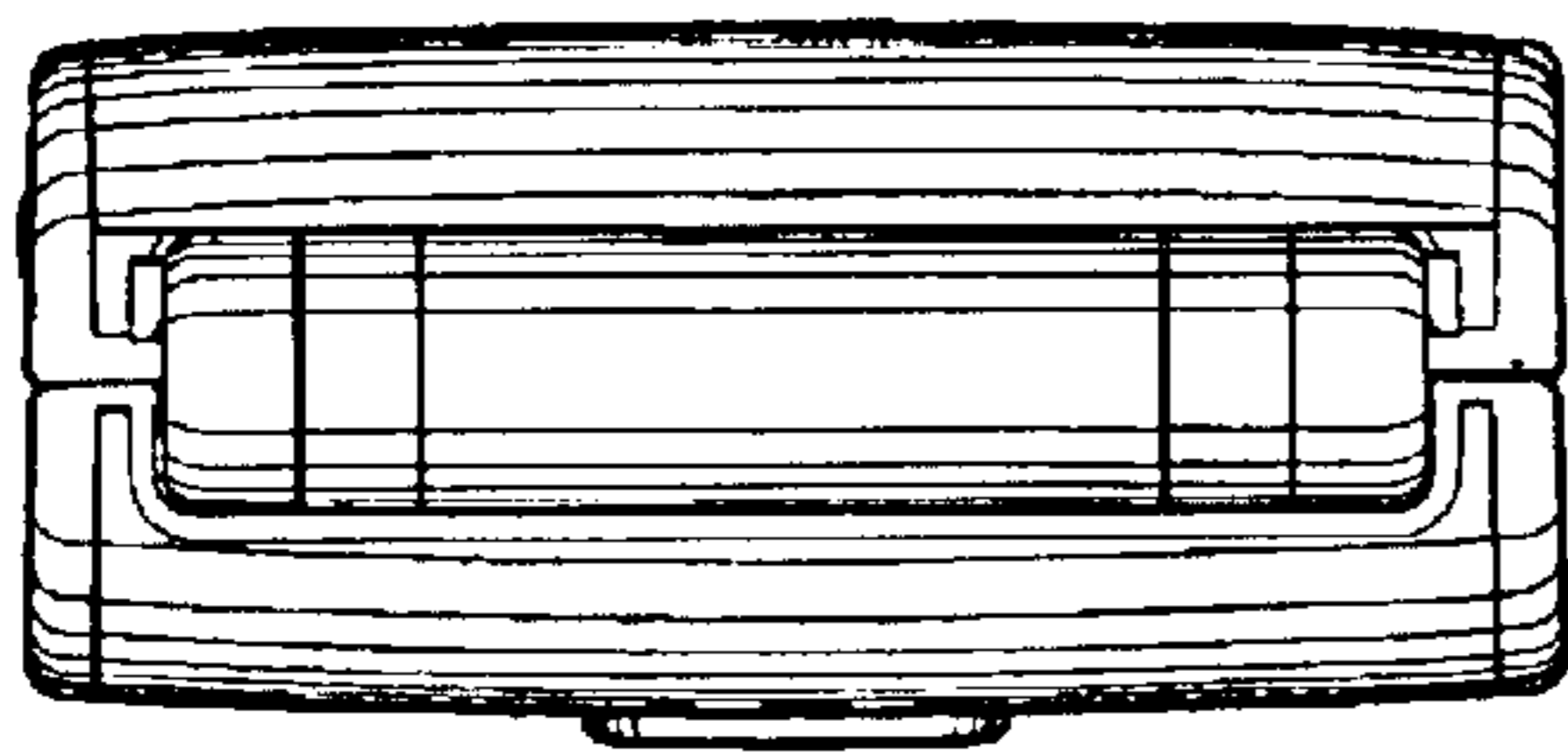


FIG. 6

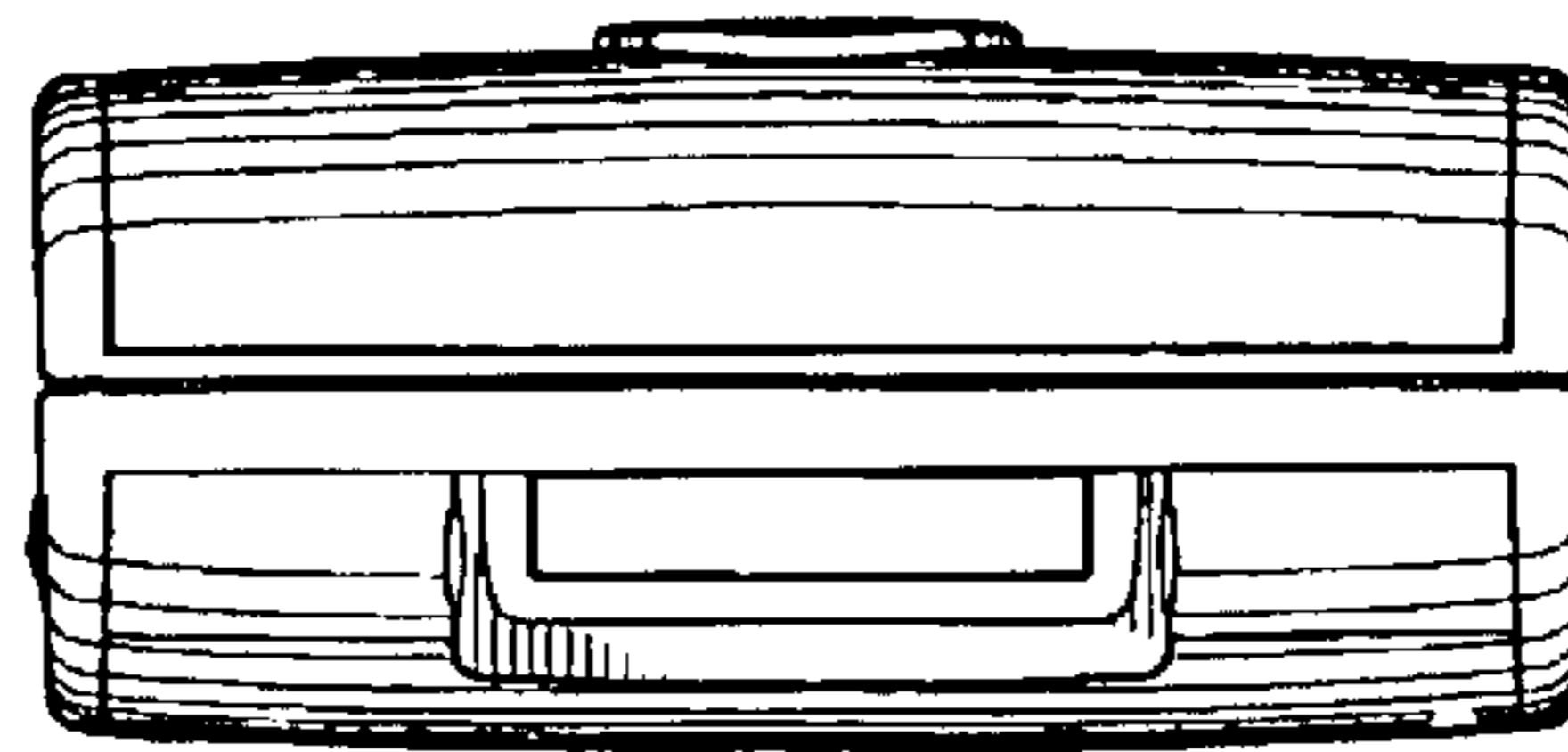


FIG. 7