

US00D496015S1

(12) **United States Design Patent** (10) **Patent No.:** **US D496,015 S**
Kettula et al. (45) **Date of Patent:** **** Sep. 14, 2004**

(54) **HANDSET**

(75) Inventors: **Jan Kettula**, Espoo (FI); **Marcus Anlauff**, Braunschweig (DE)

(73) Assignee: **Nokia Corporation**, Espoo (FI)

(**) Term: **14 Years**

(21) Appl. No.: **29/187,251**

(22) Filed: **Jul. 30, 2003**

(30) **Foreign Application Priority Data**

Feb. 7, 2003 (FI) M20030047

(51) **LOC (7) Cl.** **14-03**

(52) **U.S. Cl.** **D14/138**

(58) **Field of Search** D14/137, 138, D14/218, 147-148, 247-249, 429, 453, 455-456, 144, 399, 426, 387, 341-347, 244, 246, 338-340; 379/433.01-433.13, 419, 434, 428.01-428.04, 420.01-420.04, 440, 368-370; D10/65, 78, 37, 126; 455/550.1-90.3; D11/80; D21/517; D13/168; D28/78, 79, 82; D18/2, 7; 345/168, 169

(56) **References Cited**

U.S. PATENT DOCUMENTS

- D253,234 S * 10/1979 Cooke D13/168
- D297,009 S * 8/1988 Grambush et al. D14/138
- D298,317 S * 11/1988 Watanabe D14/138
- D298,829 S * 12/1988 Watanabe D14/138
- D303,259 S * 9/1989 Deighan D14/138
- D324,383 S * 3/1992 Konno D14/138
- D326,449 S * 5/1992 Wachob et al. D14/138
- D338,461 S * 8/1993 Paton et al. D14/138
- D348,667 S * 7/1994 Oksman et al. D14/148
- D349,898 S * 8/1994 Tattari et al. D14/148
- D352,282 S * 11/1994 Toh et al. D14/150
- D364,620 S * 11/1995 Prior et al. D14/147

- D369,358 S * 4/1996 Estevez-Alcolado et al. D14/248
- 5,655,018 A * 8/1997 Estevez-Alcolado de Holl et al. 379/433.06
- D406,266 S * 3/1999 Wakefield D14/218
- D412,168 S * 7/1999 Phillips et al. D14/138
- D425,899 S * 5/2000 Dent D14/218
- D427,536 S * 7/2000 Quick D10/104
- D432,529 S 10/2000 Kolinen
- D433,416 S * 11/2000 Strand et al. D14/426
- D438,188 S * 2/2001 Peiker D14/148
- D447,742 S * 9/2001 Cornille D14/218
- D450,675 S * 11/2001 Kim et al. D14/138
- D457,149 S * 5/2002 Arpe D14/138
- D478,893 S * 8/2003 Corander D14/218
- D486,459 S * 2/2004 Zeiger et al. D14/138

FOREIGN PATENT DOCUMENTS

- WO WO DM/062321 1/2003
- WO WO DM/064133 9/2003
- WO WO DM/061258 10/2003

* cited by examiner

Primary Examiner—Jeffrey Asch
(74) *Attorney, Agent, or Firm*—Banner & Witcoff, Ltd.

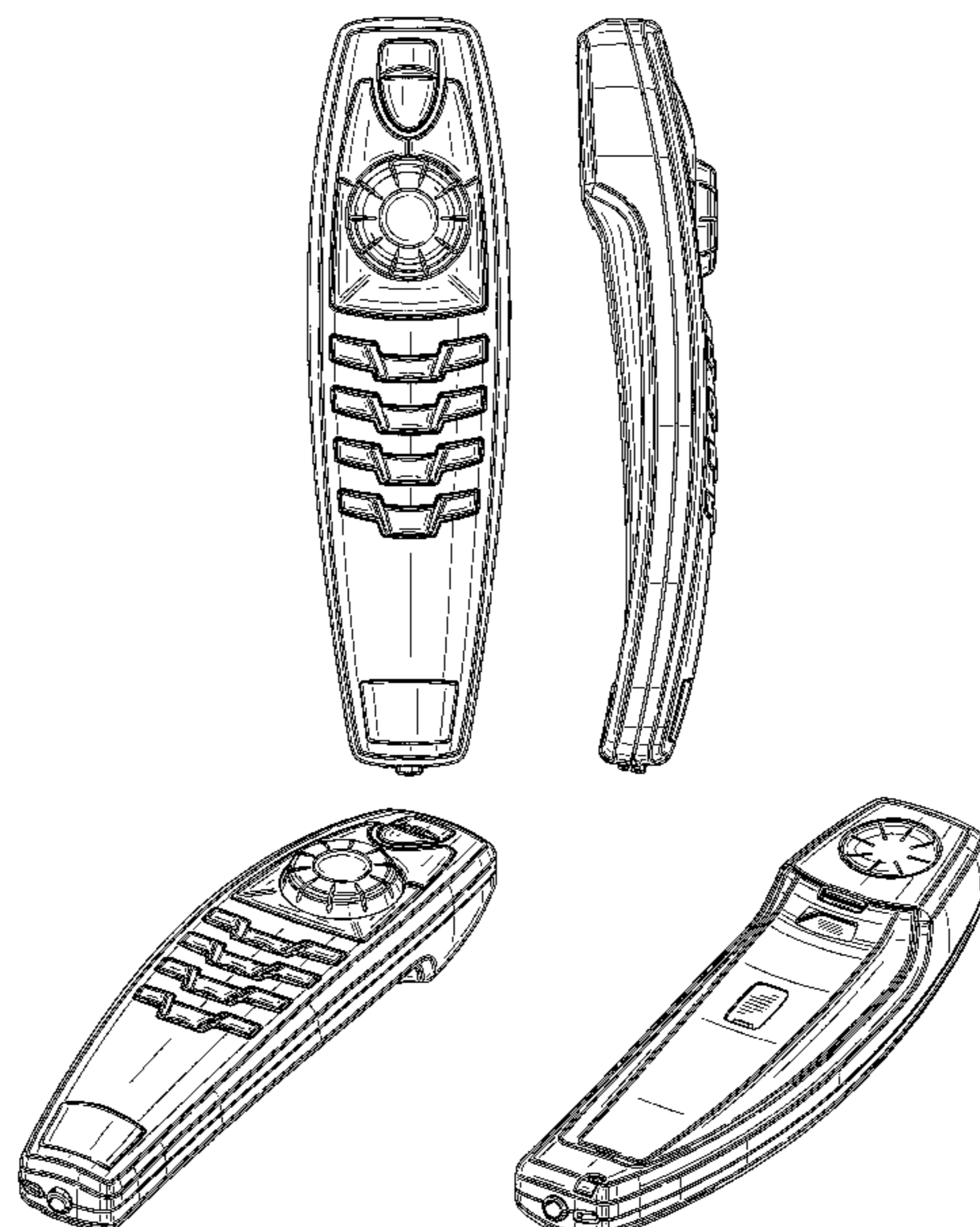
(57) **CLAIM**

The ornamental design for a handset, as shown and described.

DESCRIPTION

FIG. 1 is a right side view of a handset showing our new design;
FIG. 2 is a front view thereof;
FIG. 3 is a left side view thereof;
FIG. 4 is a rear view thereof;
FIG. 5 is a bottom plan view thereof;
FIG. 6 is a top view thereof;
FIG. 7 is a perspective front view thereof; and,
FIG. 8 is a perspective rear view thereof.

1 Claim, 5 Drawing Sheets



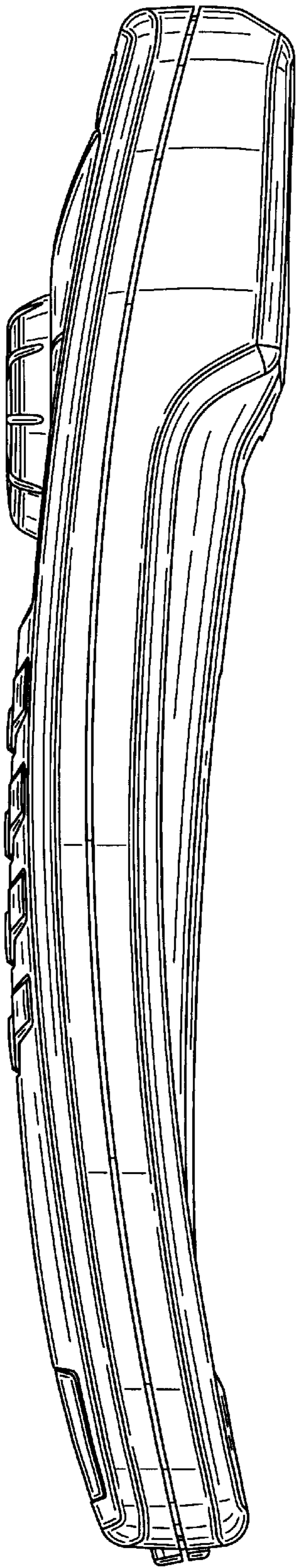


FIG. 1

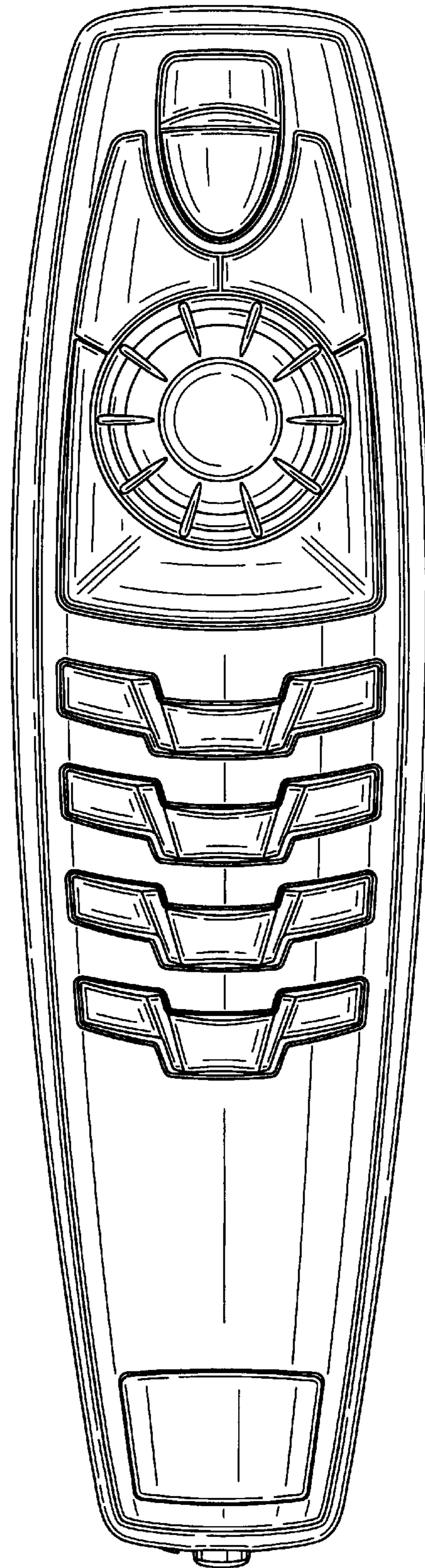


FIG. 2

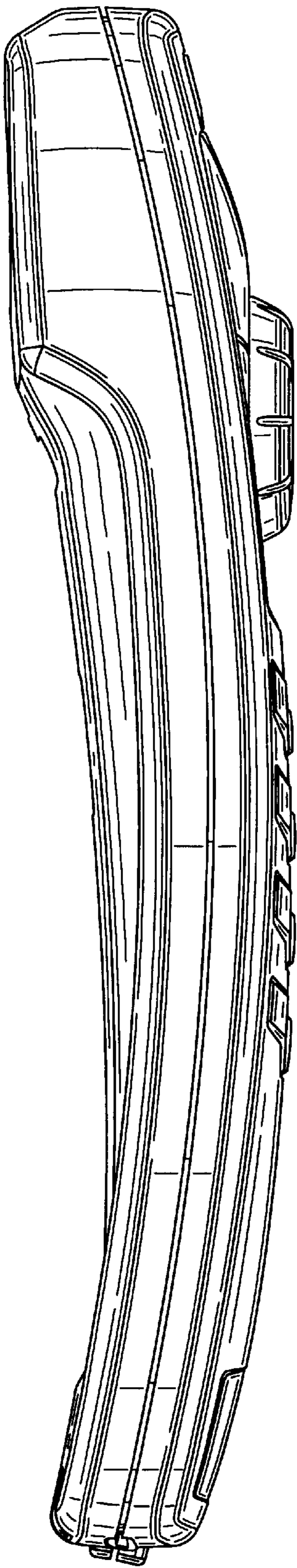


FIG. 3

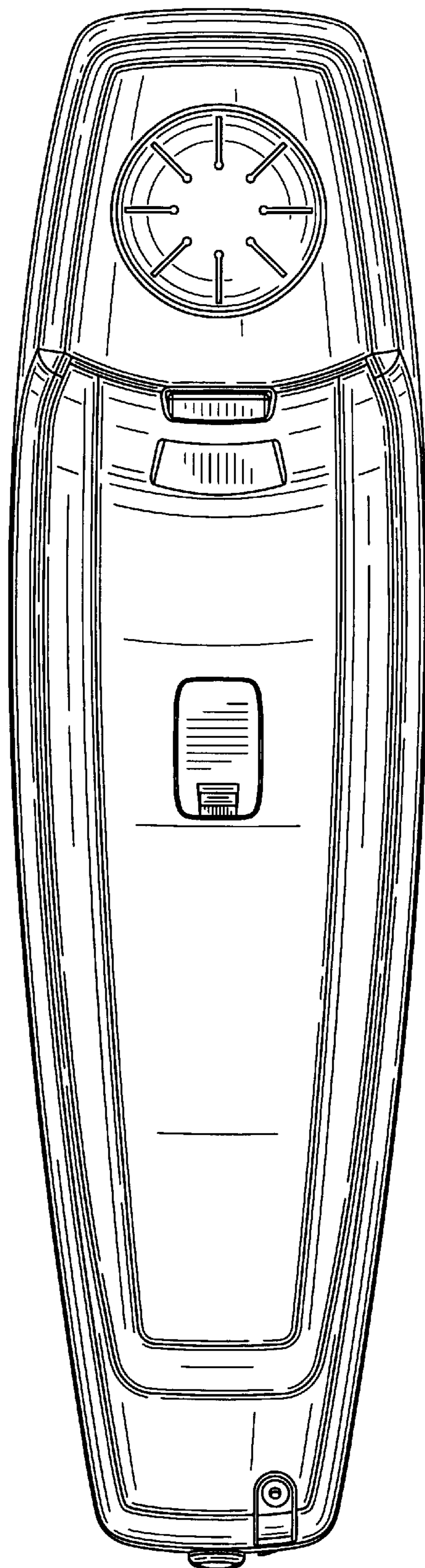


FIG. 4

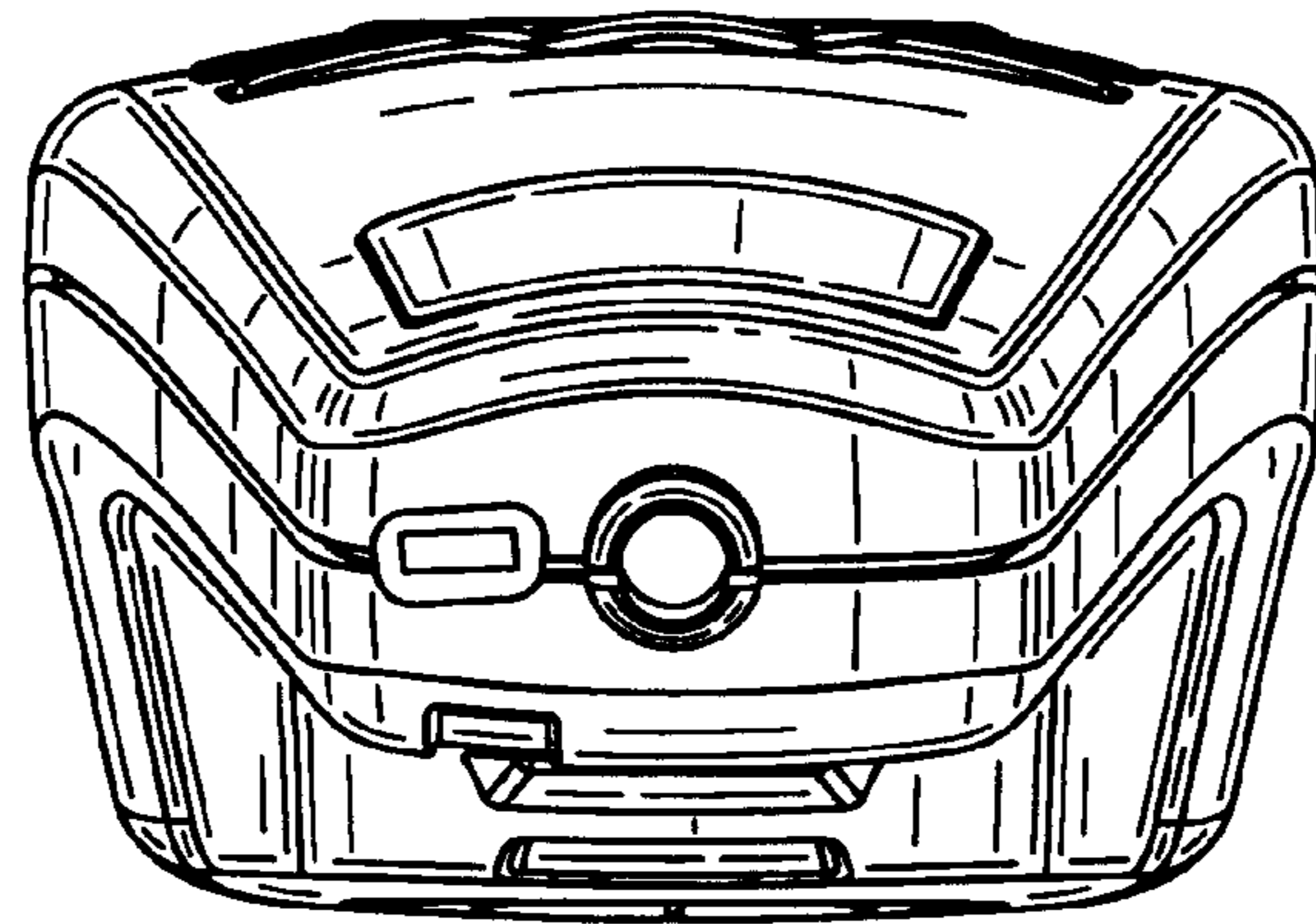


FIG. 5

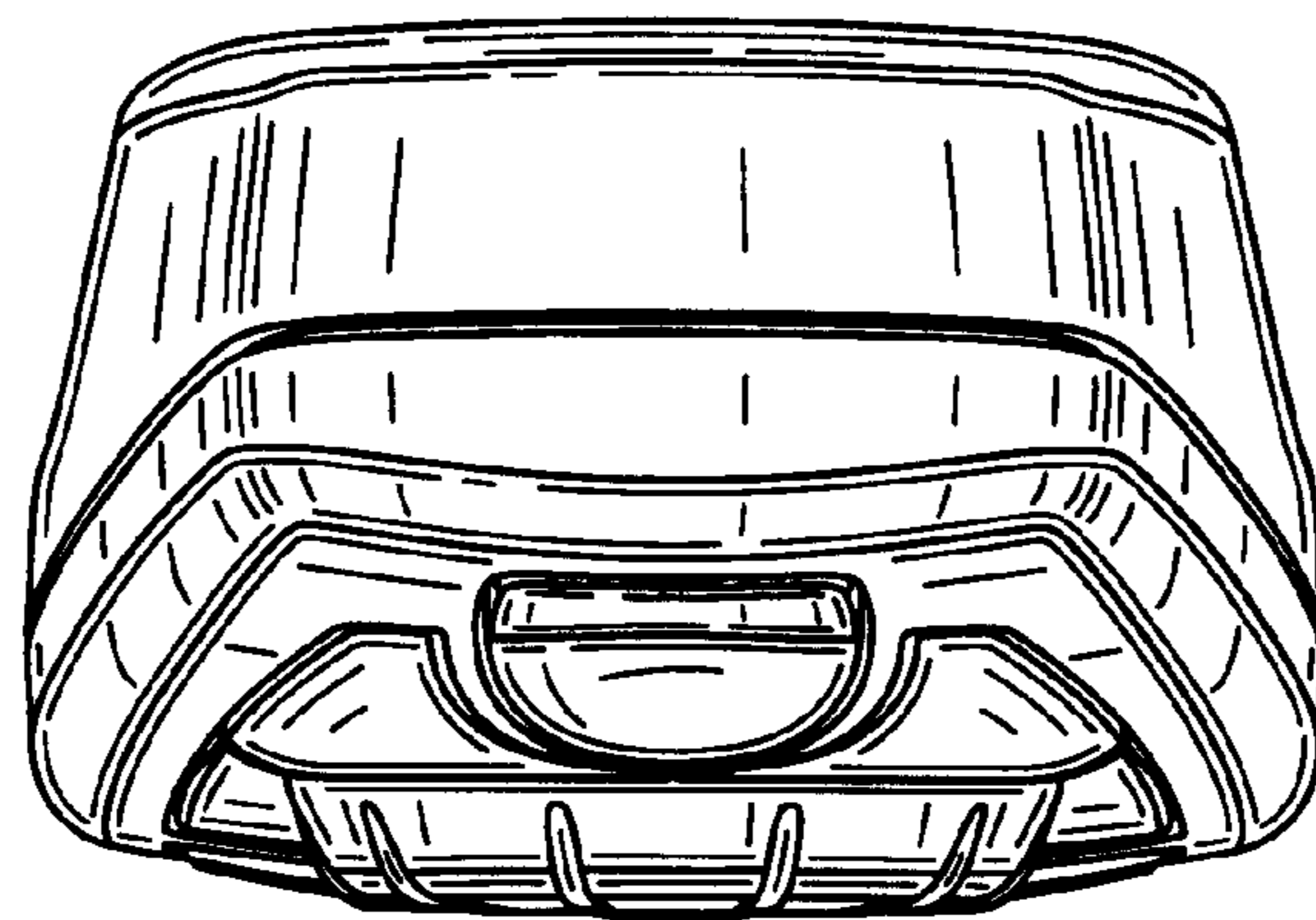


FIG. 6

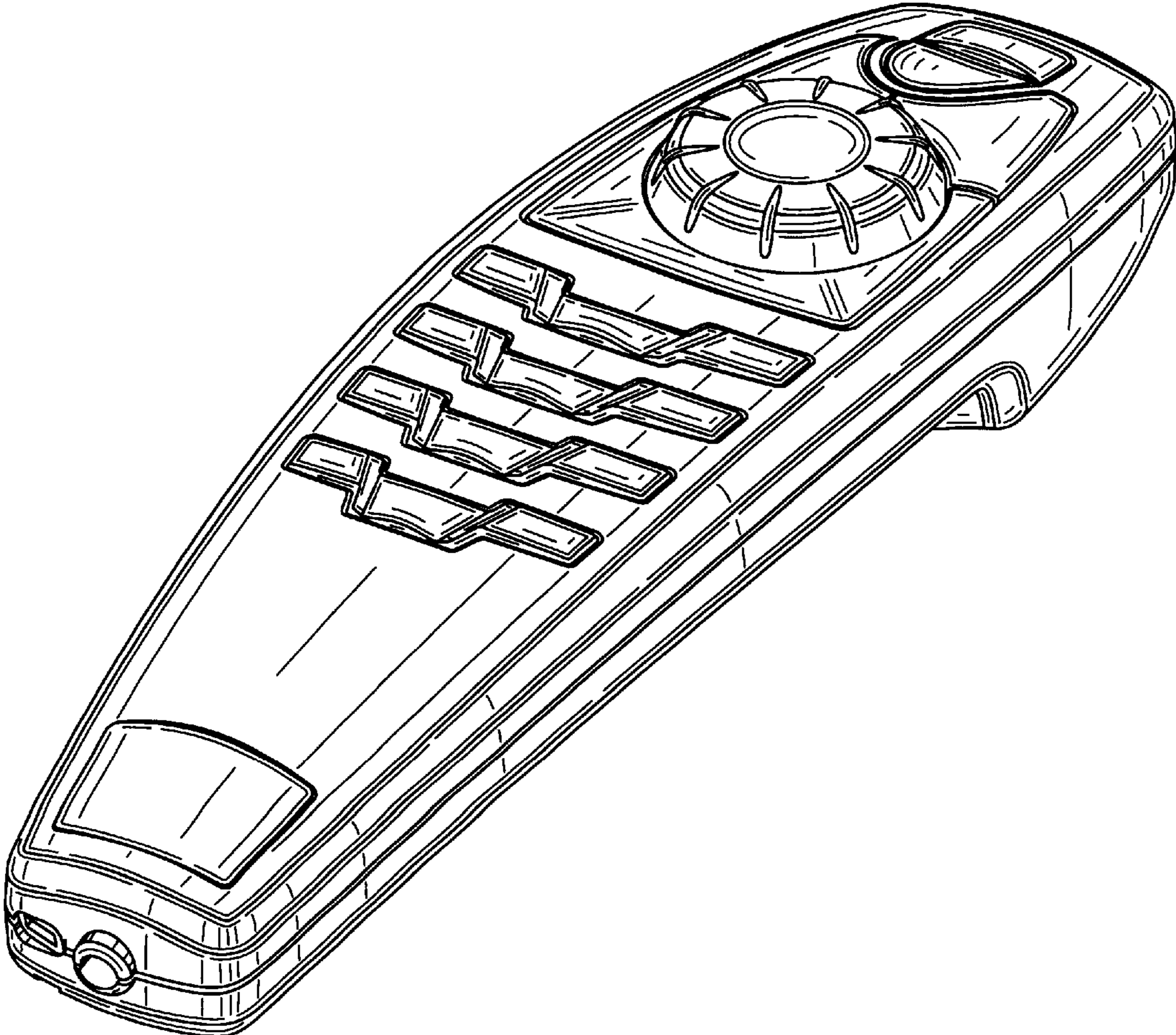


FIG. 7

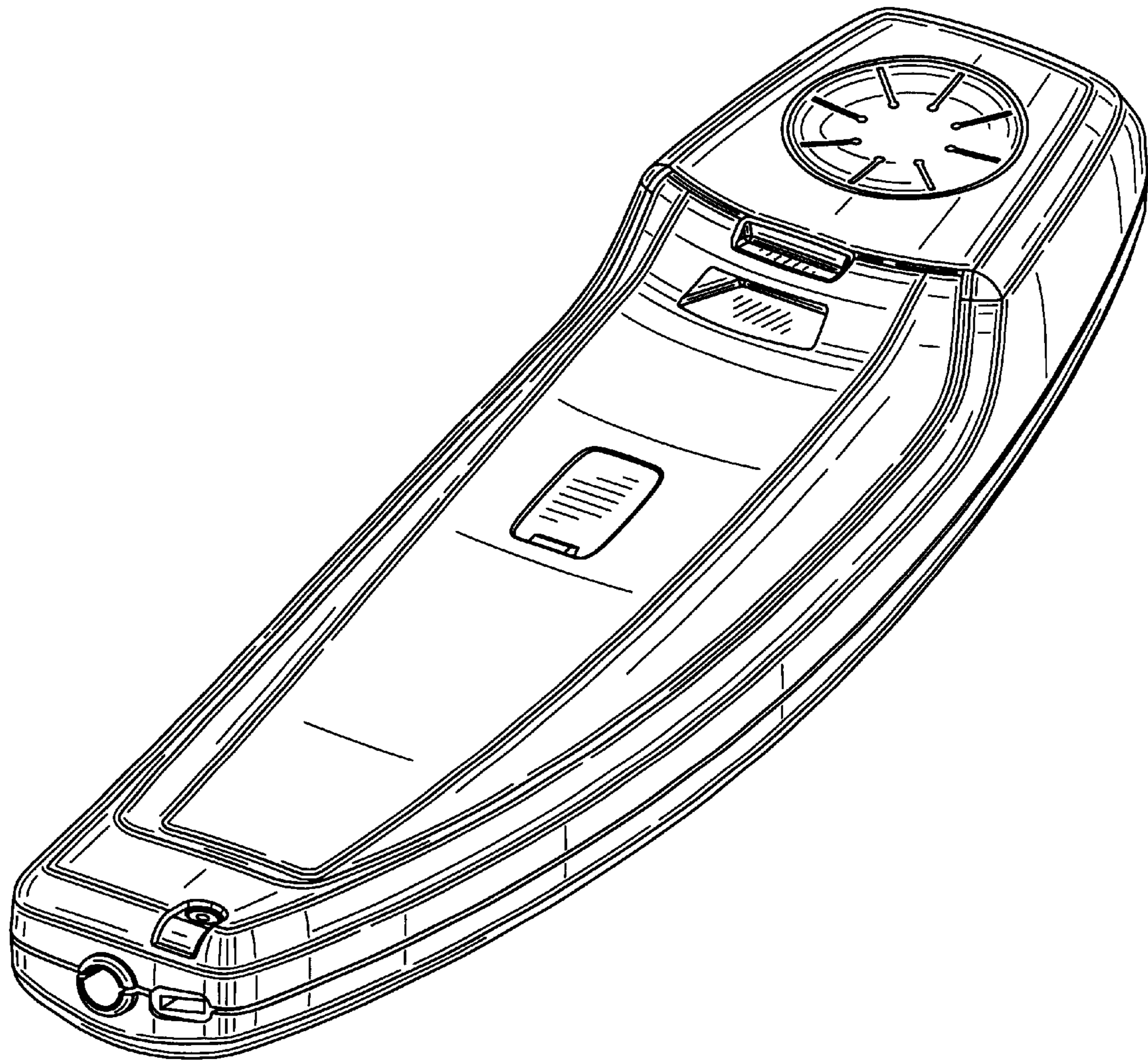


FIG. 8