

US00D496007S1

(12) **United States Design Patent** (10) **Patent No.:** **US D496,007 S**
Hoshiba (45) **Date of Patent:** **** Sep. 14, 2004**

(54) **LIGHT EMITTING DIODE**
(75) Inventor: **Toshiyuki Hoshiba, Anan (JP)**
(73) Assignee: **Nichia Corporation, Anan (JP)**
(**) Term: **14 Years**

RE36,614 E 3/2000 Lumbard et al.
D432,095 S 10/2000 Seeger et al.
D437,798 S 2/2001 Kiba et al.
D439,351 S 3/2001 Kiba et al.
6,315,432 B1 11/2001 Kuo
D453,745 S 2/2002 Suenaga
D478,877 S * 8/2003 Hoshiba D13/182
D482,337 S * 11/2003 Kamada D13/182

(21) Appl. No.: **29/188,815**
(22) Filed: **Aug. 26, 2003**

Related U.S. Application Data

(63) Continuation of application No. 29/160,962, filed on May 21, 2002, now Pat. No. Des. 478,877.

(30) **Foreign Application Priority Data**

Nov. 21, 2001 (JP) 2001-034160
Nov. 21, 2001 (JP) 2001-034161
Nov. 21, 2001 (JP) 2001-034162
Nov. 21, 2001 (JP) 2001-034163
Nov. 21, 2001 (JP) 2001-034164
Nov. 21, 2001 (JP) 2001-034165
Nov. 21, 2001 (JP) 2001-034166
Nov. 21, 2001 (JP) 2001-034167

(51) **LOC (7) Cl.** **13-03**
(52) **U.S. Cl.** **D13/179**
(58) **Field of Search** D10/104, 114;
D13/180, 182; D26/37; 174/52.2; 257/79,
88, 89, 93-96, 91, 98, 99, 100, 432, 433,
434, 678, 684, 698; 313/499, 500; 362/249,
287, 294, 800

(56) **References Cited**

U.S. PATENT DOCUMENTS

4,152,624 A 5/1979 Knaebel
4,466,050 A * 8/1984 Lockard 362/307
4,959,761 A 9/1990 Critelli et al.
D312,979 S 12/1990 Oesterheld et al.
D314,919 S 2/1991 Villar
5,045,895 A 9/1991 Yoshida et al.
5,226,053 A 7/1993 Cho et al.
5,325,271 A * 6/1994 Hutchisson 362/555
5,528,079 A * 6/1996 McIver 257/698

FOREIGN PATENT DOCUMENTS

JP D984224 S 7/1997
JP D984224-1 S 10/1997
JP D1077515 S 7/2000

OTHER PUBLICATIONS

Surface Mount Type LED-Light Emitting Diode-, Product Guide, May 2001, 6 pages, Cat. No. 01055K, Nichia Corporation, Japan.

* cited by examiner

Primary Examiner—Prabhakar Deshmukh
Assistant Examiner—Selina Sikder
(74) *Attorney, Agent, or Firm*—Smith Patent Office

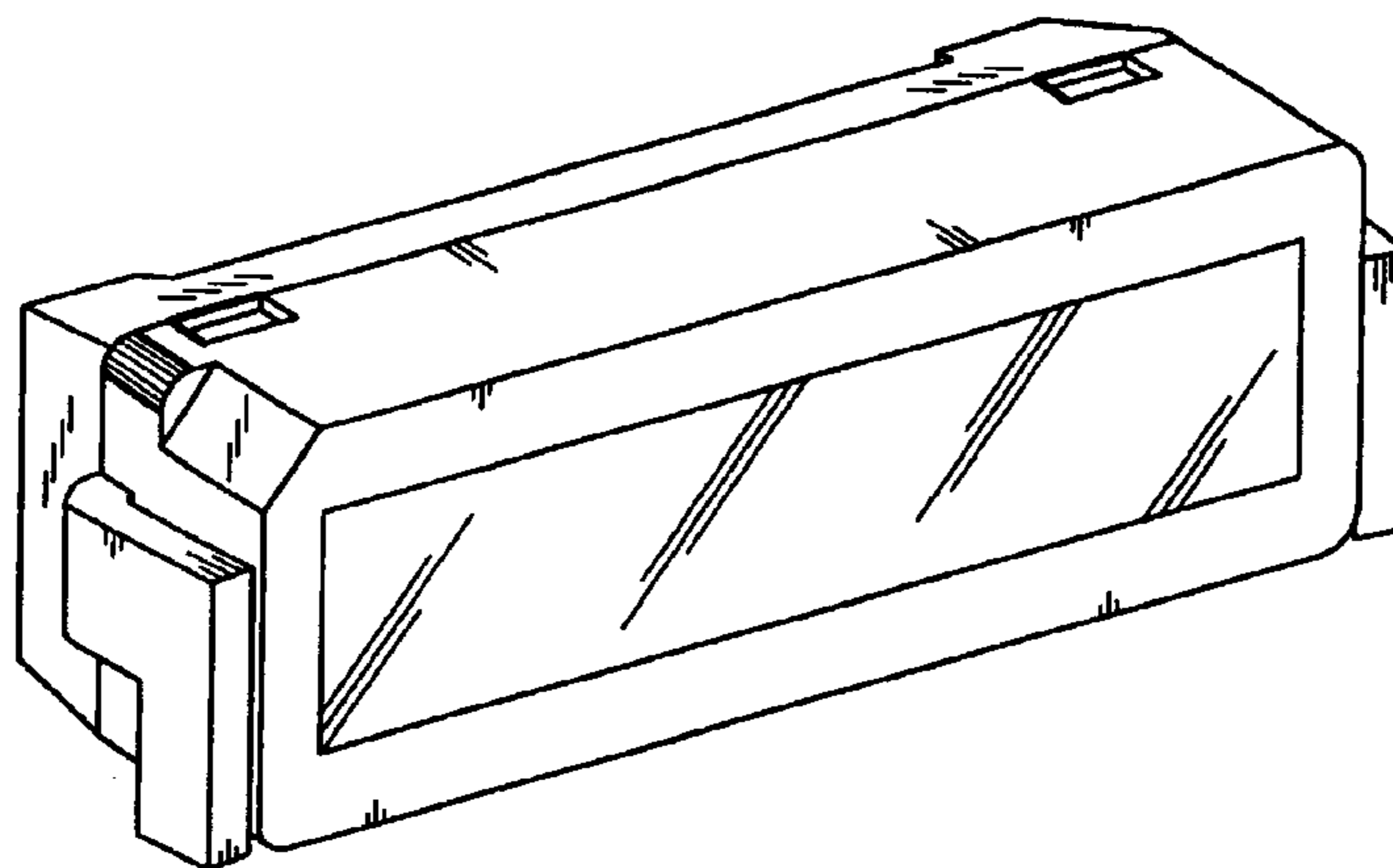
(57) **CLAIM**

I claim the ornamental design for a light emitting diode, as shown and described.

DESCRIPTION

FIG. 1 is a perspective view of the light emitting diode showing my new design;
FIG. 2 is a top plan view of the light emitting diode according to FIG. 1;
FIG. 3 is a left side elevational view of the light emitting diode according to FIG. 1;
FIG. 4 is a front elevational view of the light emitting diode according to FIG. 1;
FIG. 5 is a right side elevational view of the light emitting diode according to FIG. 1;
FIG. 6 is a bottom plan of the light emitting diode according to FIG. 1; and,
FIG. 7 is a rear elevational view of the light emitting diode according to FIG. 1.

1 Claim, 2 Drawing Sheets



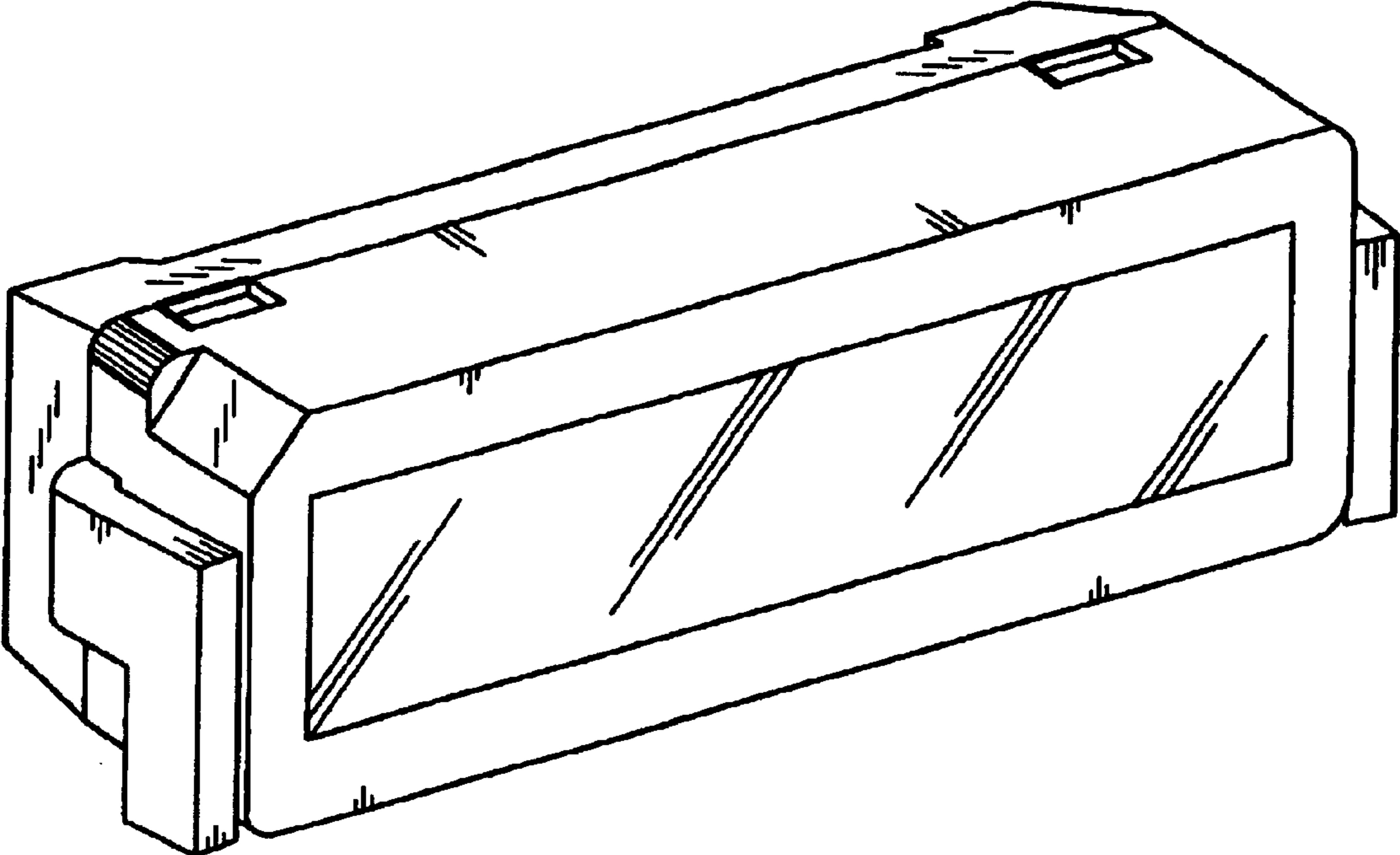


FIG. 1

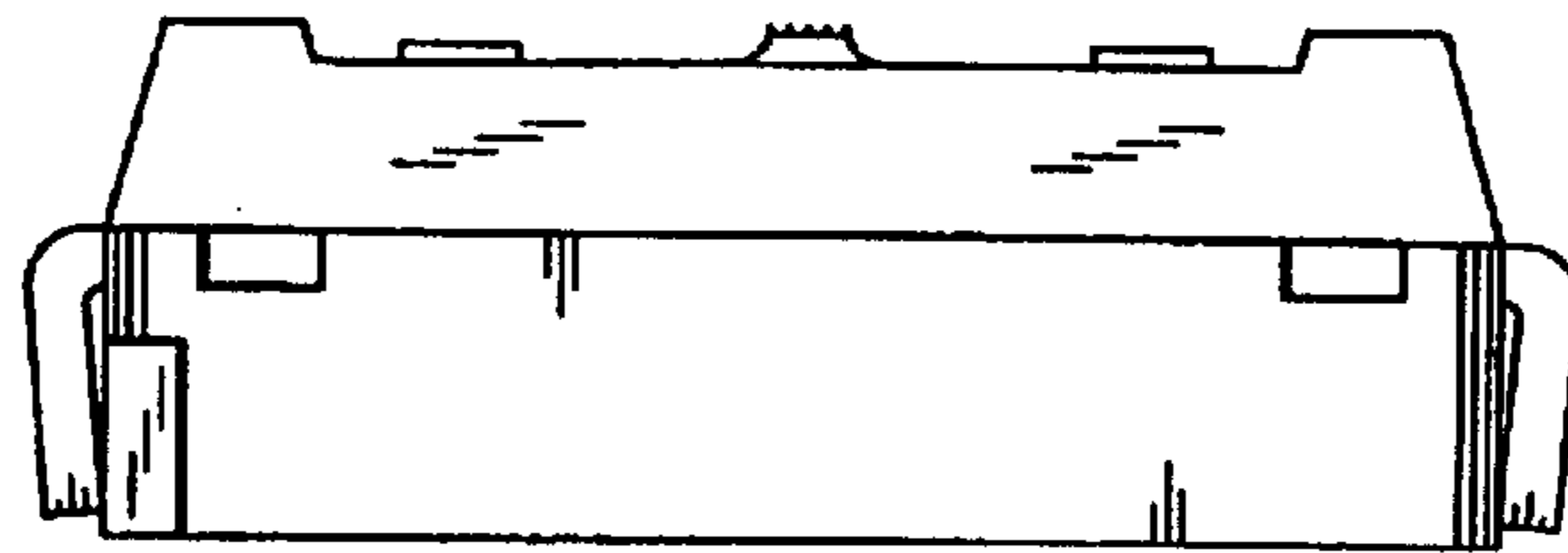


FIG. 2

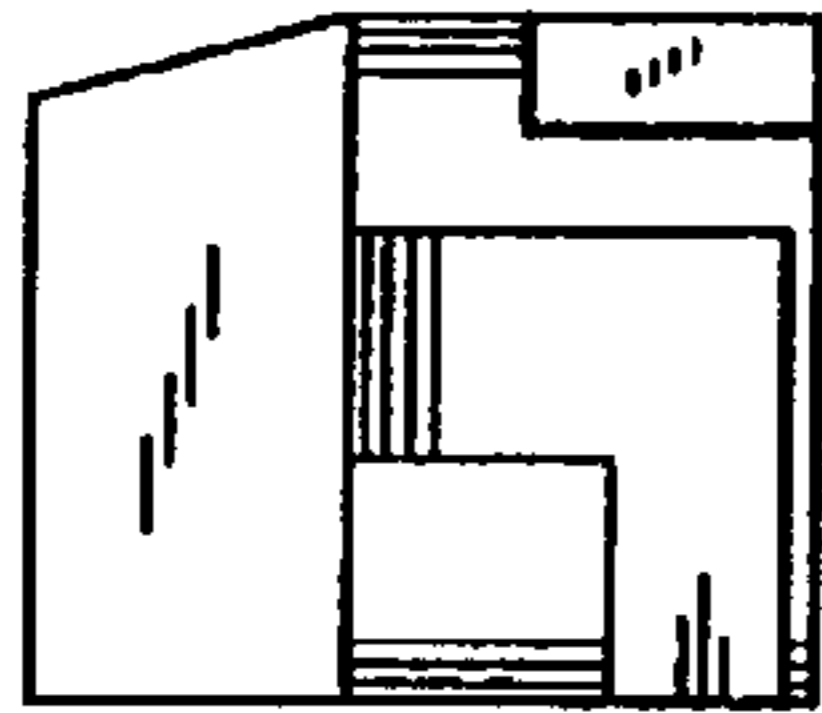


FIG. 3

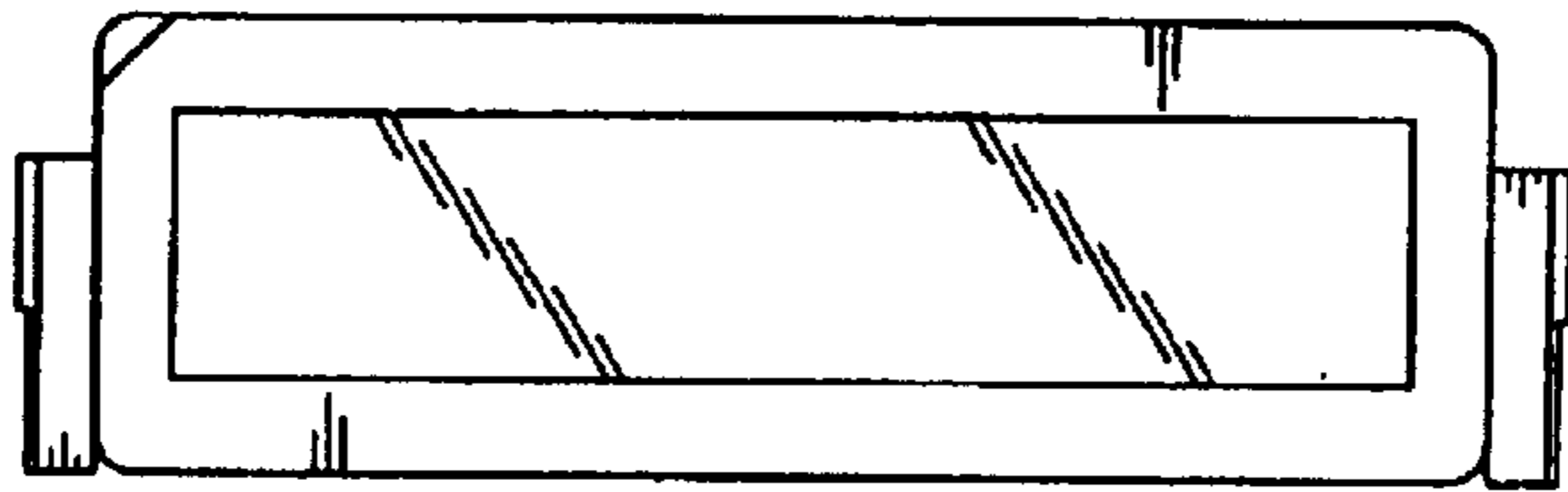


FIG. 4

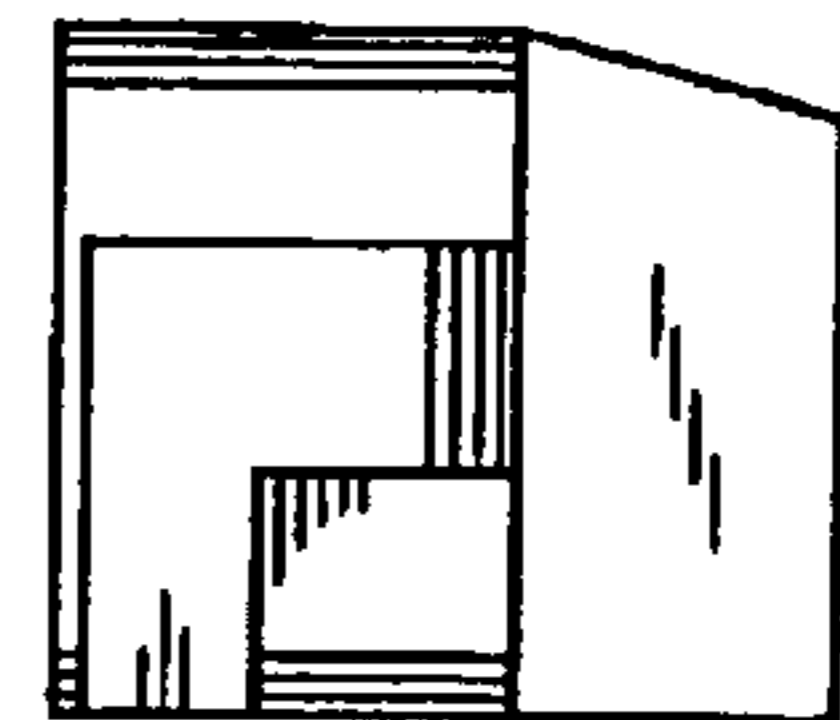


FIG. 5

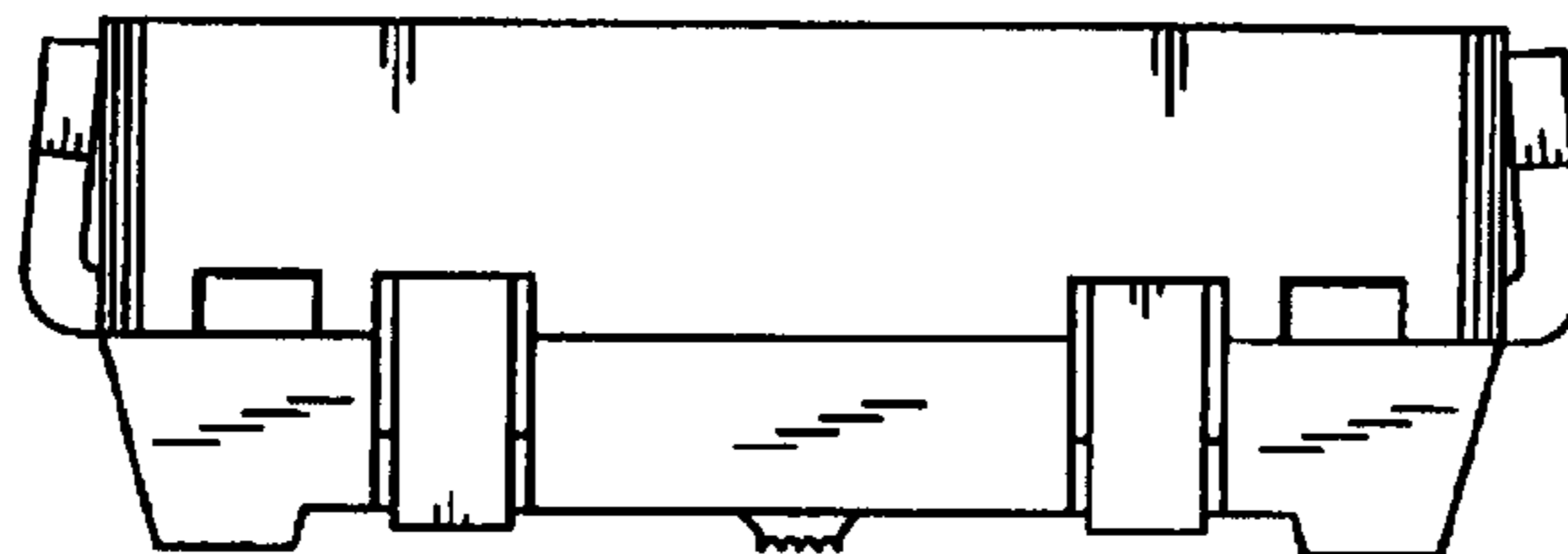


FIG. 6

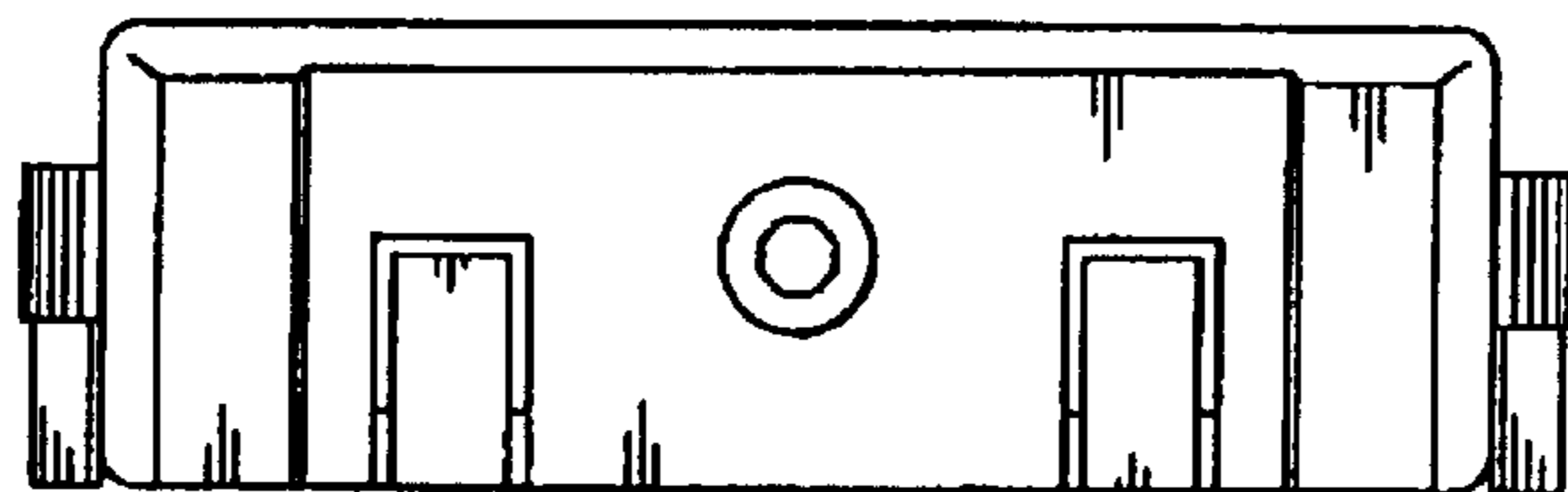


FIG. 7