

US00D496004S1

(12) **United States Design Patent**
Borsboom

(10) **Patent No.: US D496,004 S**

(45) **Date of Patent: ** Sep. 14, 2004**

(54) **REMOTE CONTROL**

(75) **Inventor: Antonious M. Borsboom, Singapore (SG)**

(73) **Assignee: Hannspree, Inc., Taipei (TW)**

(**) **Term: 14 Years**

(21) **Appl. No.: 29/196,752**

(22) **Filed: Jan. 5, 2004**

(30) **Foreign Application Priority Data**

Dec. 5, 2003 (TW) 92307346

(51) **LOC (7) Cl. 13-03**

(52) **U.S. Cl. D13/168; D14/218**

(58) **Field of Search D13/168; D3/208; D10/104, 106; D14/155, 218; 340/525, 825.22, 825.56, 825.69, 825.72, 988; 341/176; 348/734; 455/90.1, 151.1-151.4, 352-355**

(56) **References Cited**

U.S. PATENT DOCUMENTS

D372,244 S * 7/1996 Yamazaki et al. D14/218
D375,909 S * 11/1996 Dziarsk et al. D10/106

D392,945 S * 3/1998 Barry et al. D13/168
D452,520 S * 12/2001 Gotham et al. D16/235
D463,404 S * 9/2002 Sadatsuki D14/218
D479,520 S * 9/2003 De Saulles D14/218
6,674,364 B1 * 1/2004 Holbrook et al. 340/568.1
2001/0033244 A1 * 10/2001 Harris et al. 341/176

* cited by examiner

Primary Examiner—Prabhakar Deshmukh

Assistant Examiner—Selina Sikder

(74) *Attorney, Agent, or Firm*—Thomas, Kayden, Horstemeyer & Risley

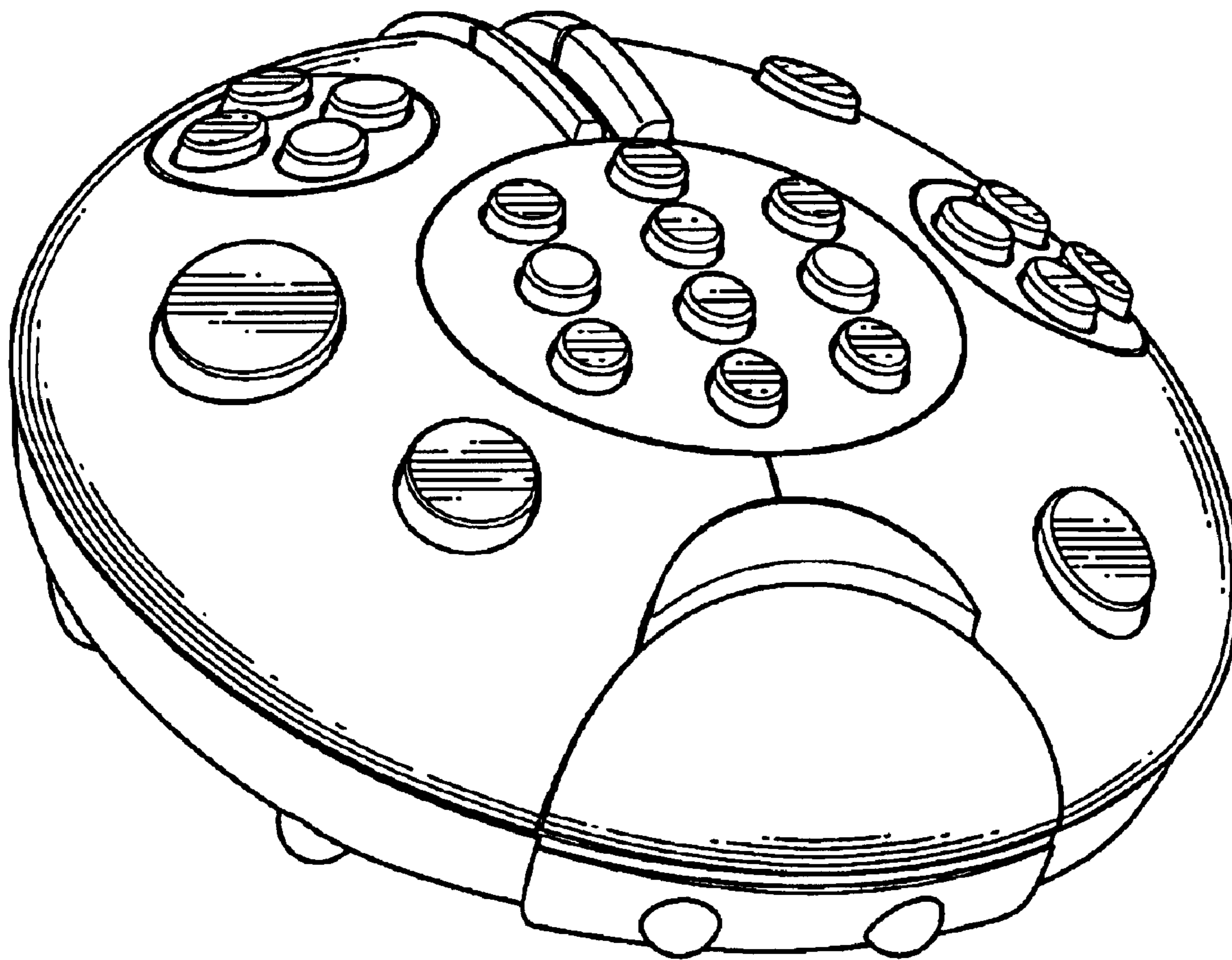
(57) **CLAIM**

The ornamental design for a remote control, as shown and described.

DESCRIPTION

FIG. 1 is a front perspective view thereof;
FIG. 2 is a top plan view thereof;
FIG. 3 is a bottom plan thereof;
FIG. 4 is a left side elevational view thereof;
FIG. 5 is a right side elevational view thereof;
FIG. 6 is a rear elevation view thereof; and,
FIG. 7 is a front elevation view.

1 Claim, 6 Drawing Sheets



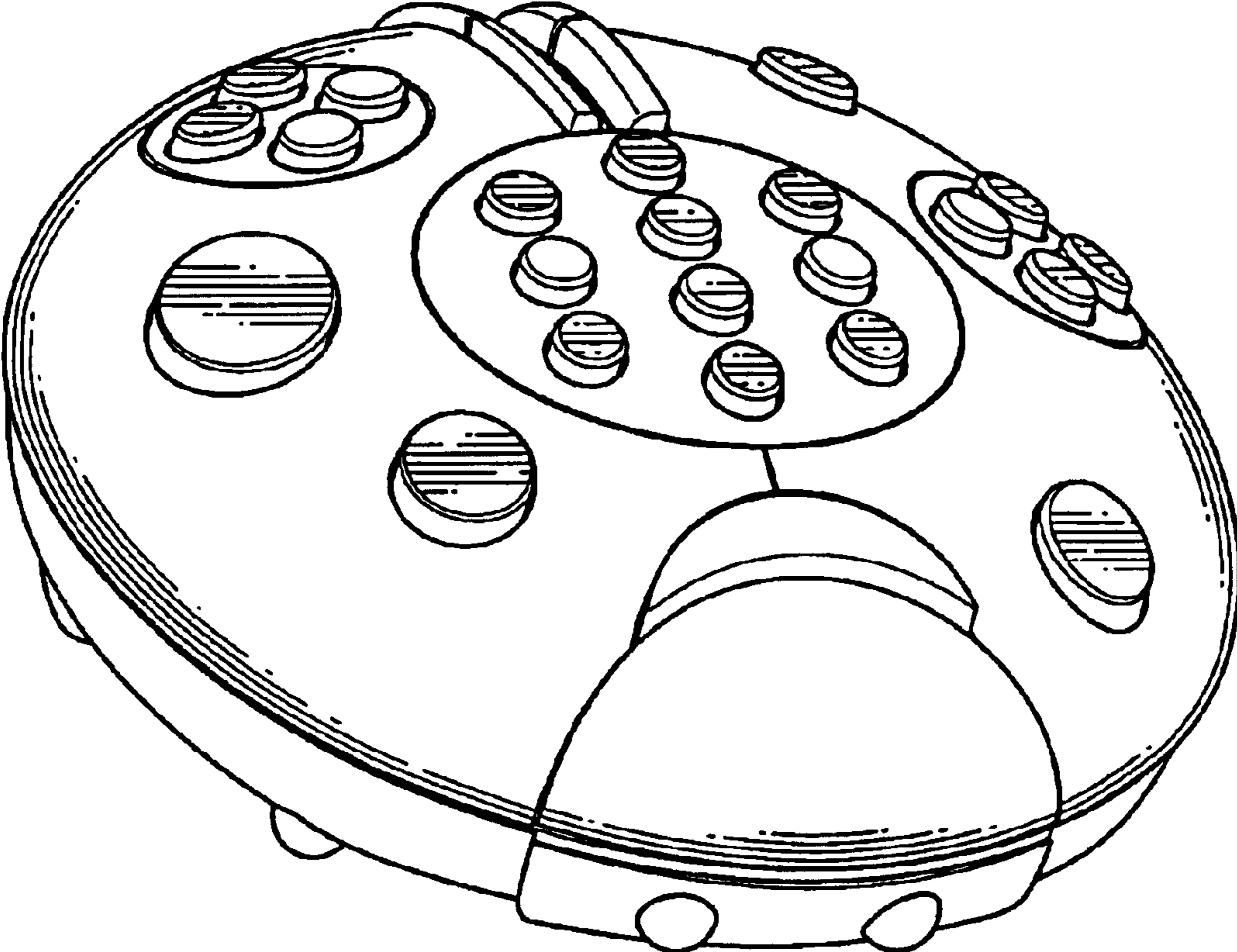


FIG. 1

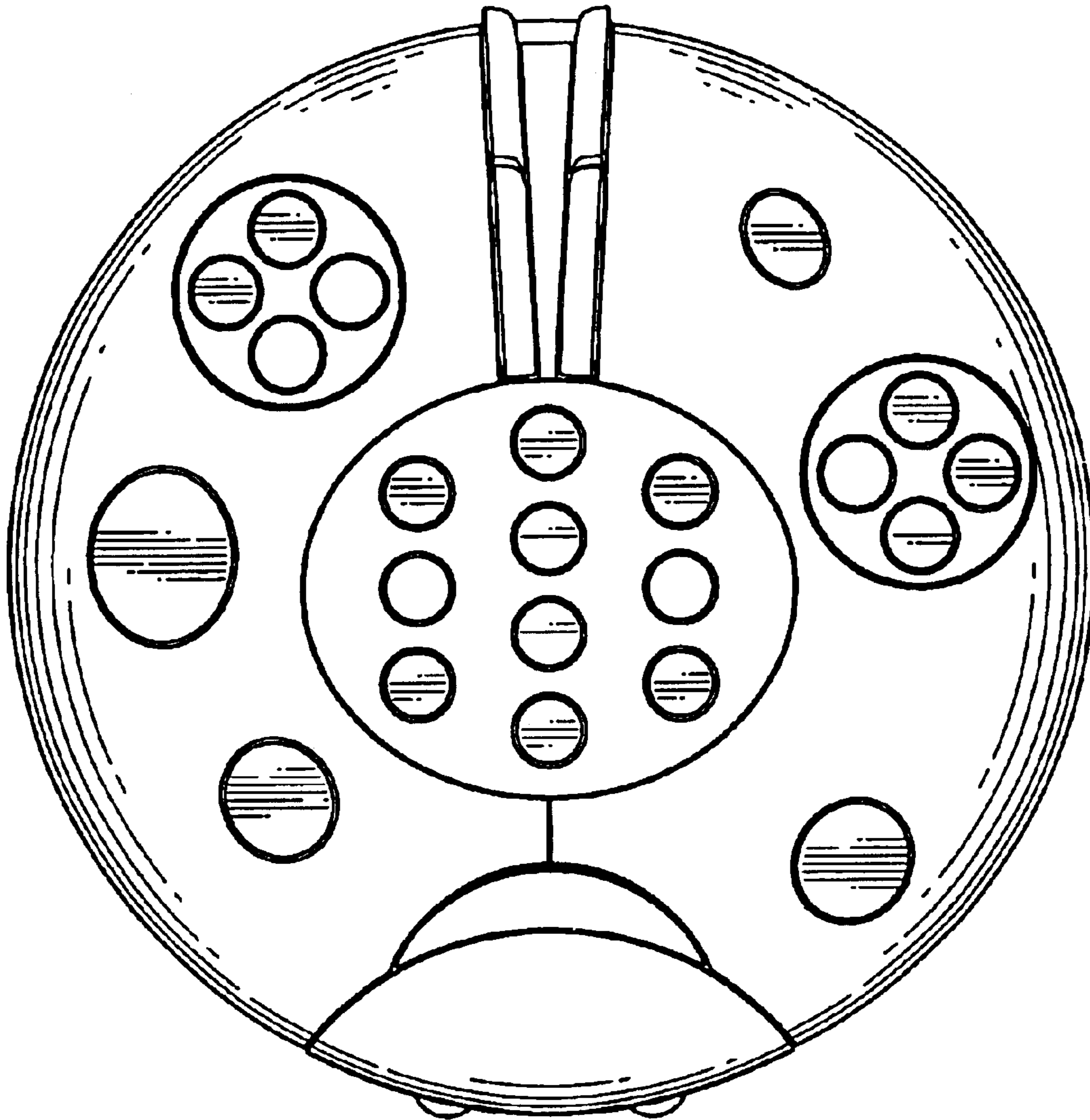


FIG. 2

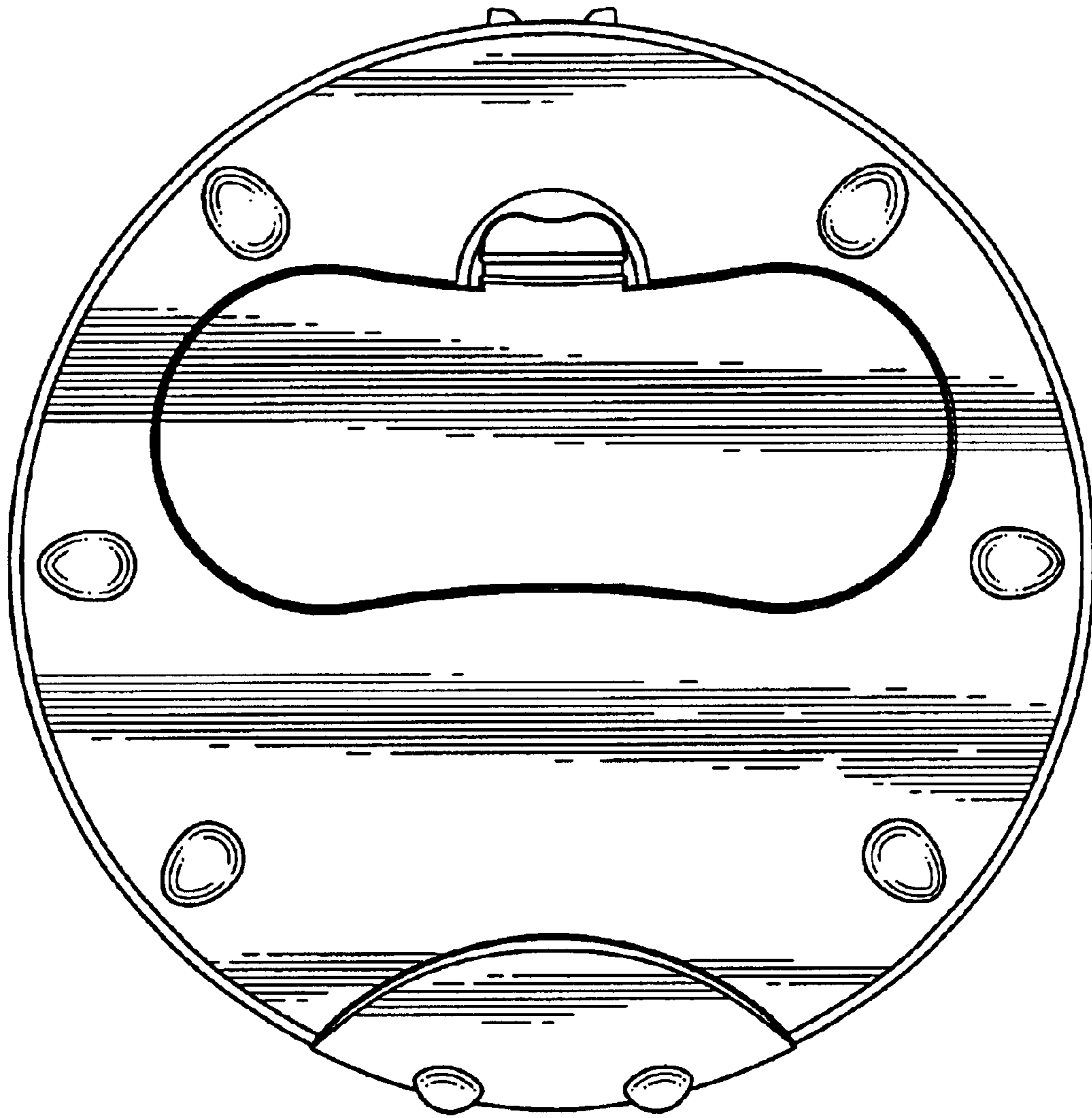


FIG. 3

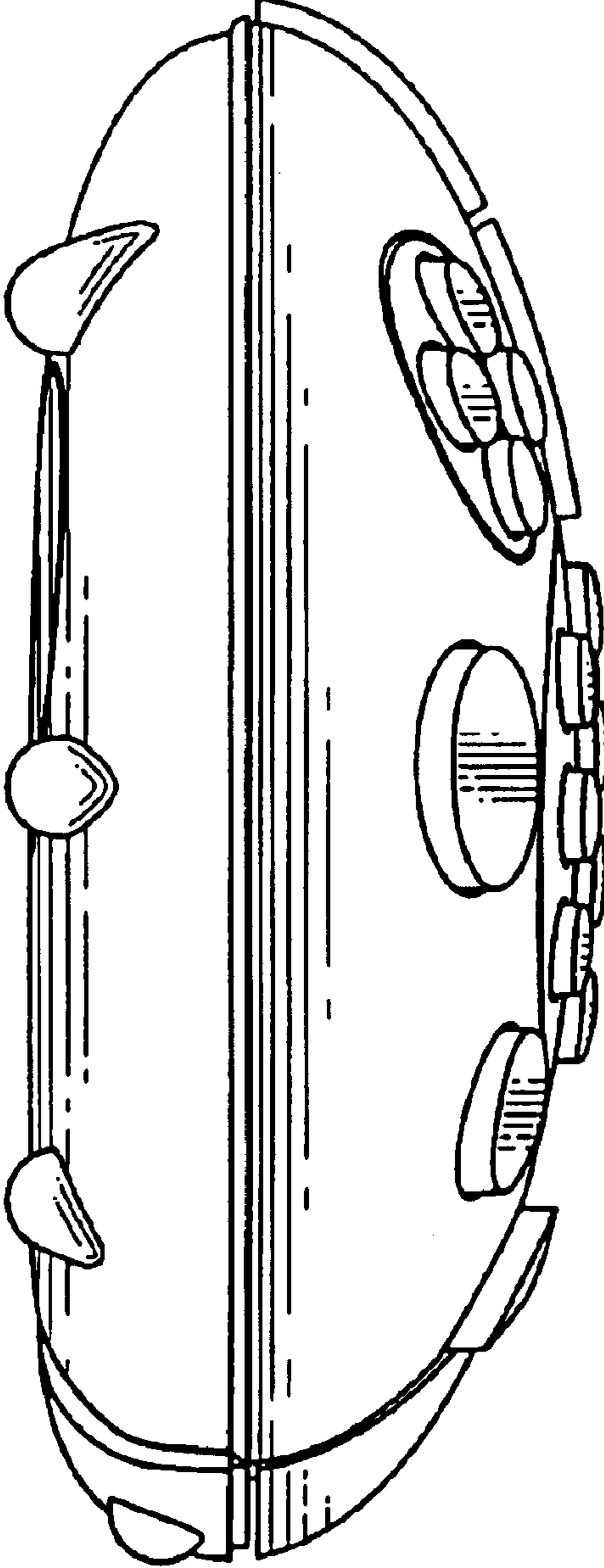


FIG. 4

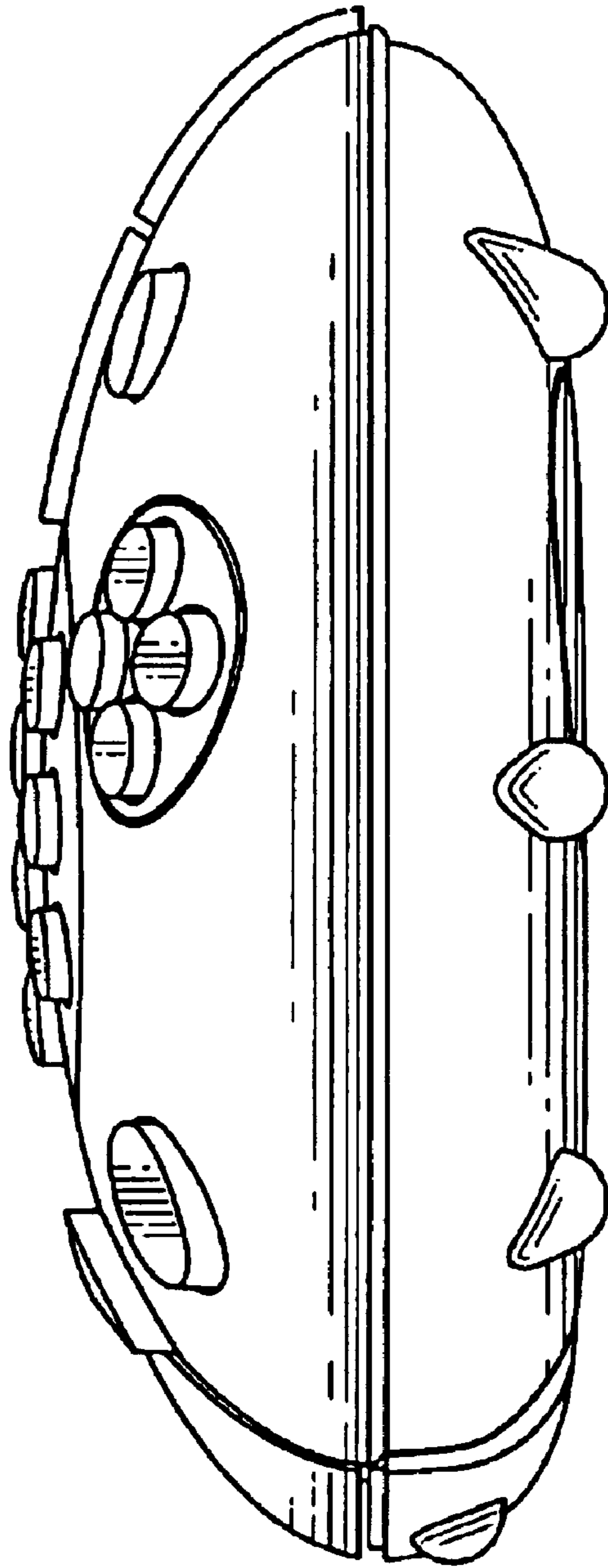


FIG. 5

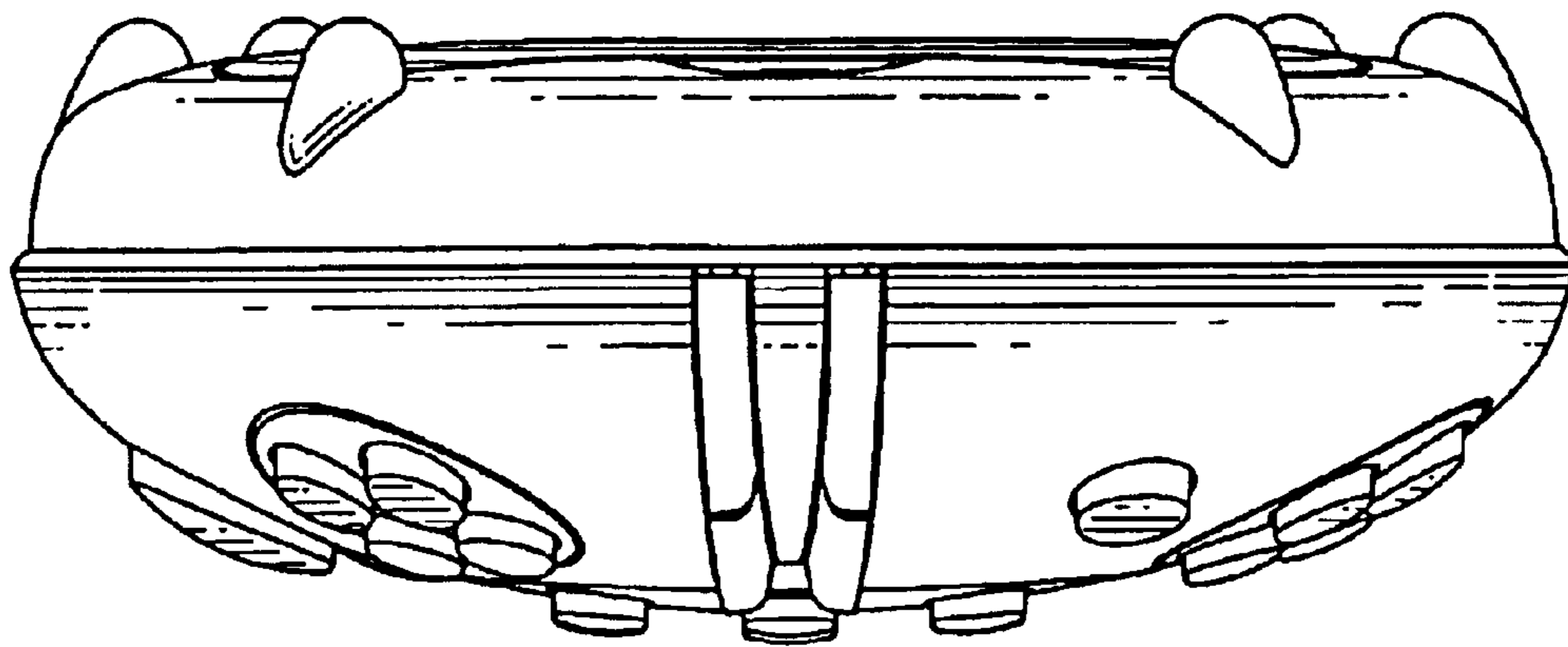


FIG. 6

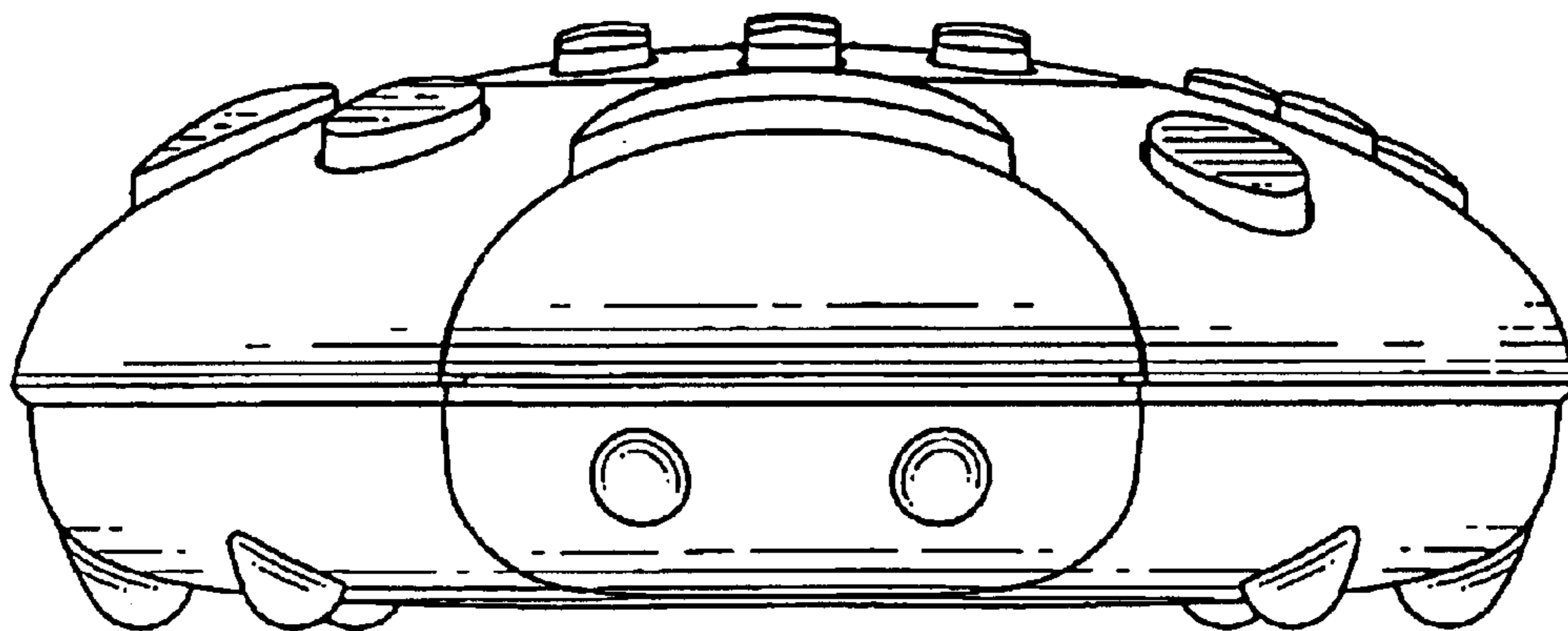


FIG. 7