

US00D496003S1

(12) **United States Design Patent**  
**Spira**

(10) **Patent No.:** **US D496,003 S**  
(45) **Date of Patent:** **\*\* Sep. 14, 2004**

(54) **HAND-HELD REMOTE CONTROL**

6,680,673 B1 \* 1/2004 Wong ..... 340/825.69

(75) **Inventor:** **Joel S. Spira**, Coopersburg, PA (US)

\* cited by examiner

(73) **Assignee:** **Lutron Electronics Co., Inc.**,  
Coopersburg, PA (US)

*Primary Examiner*—Philip S. Hyder

*Assistant Examiner*—Selina Sikder

(\*\*) **Term:** **14 Years**

(74) *Attorney, Agent, or Firm*—Ostrolenk, Faber, Gerb & Soffen, LLP

(21) **Appl. No.:** **29/195,875**

(57) **CLAIM**

(22) **Filed:** **Dec. 16, 2003**

The ornamental design for hand-held remote control, as shown and described.

(51) **LOC (7) Cl.** ..... **13-03**

(52) **U.S. Cl.** ..... **D13/168**

(58) **Field of Search** ..... D13/168; D10/104,  
D10/106; D14/171, 191, 218, 155; 341/76;  
340/825.69, 825.72; 174/52.1; 455/151.1–151.4,  
352

**DESCRIPTION**

FIG. 1 is a front elevational view of the hand held remote control of the present invention.

FIG. 2 is a left side elevational side view of the remote control of the present invention.

FIG. 3 is right-hand elevational view of the remote control of the present invention.

FIG. 4 is a top view of the remote control of the present invention.

FIG. 5 is a bottom view of the remote control of the present invention; and,

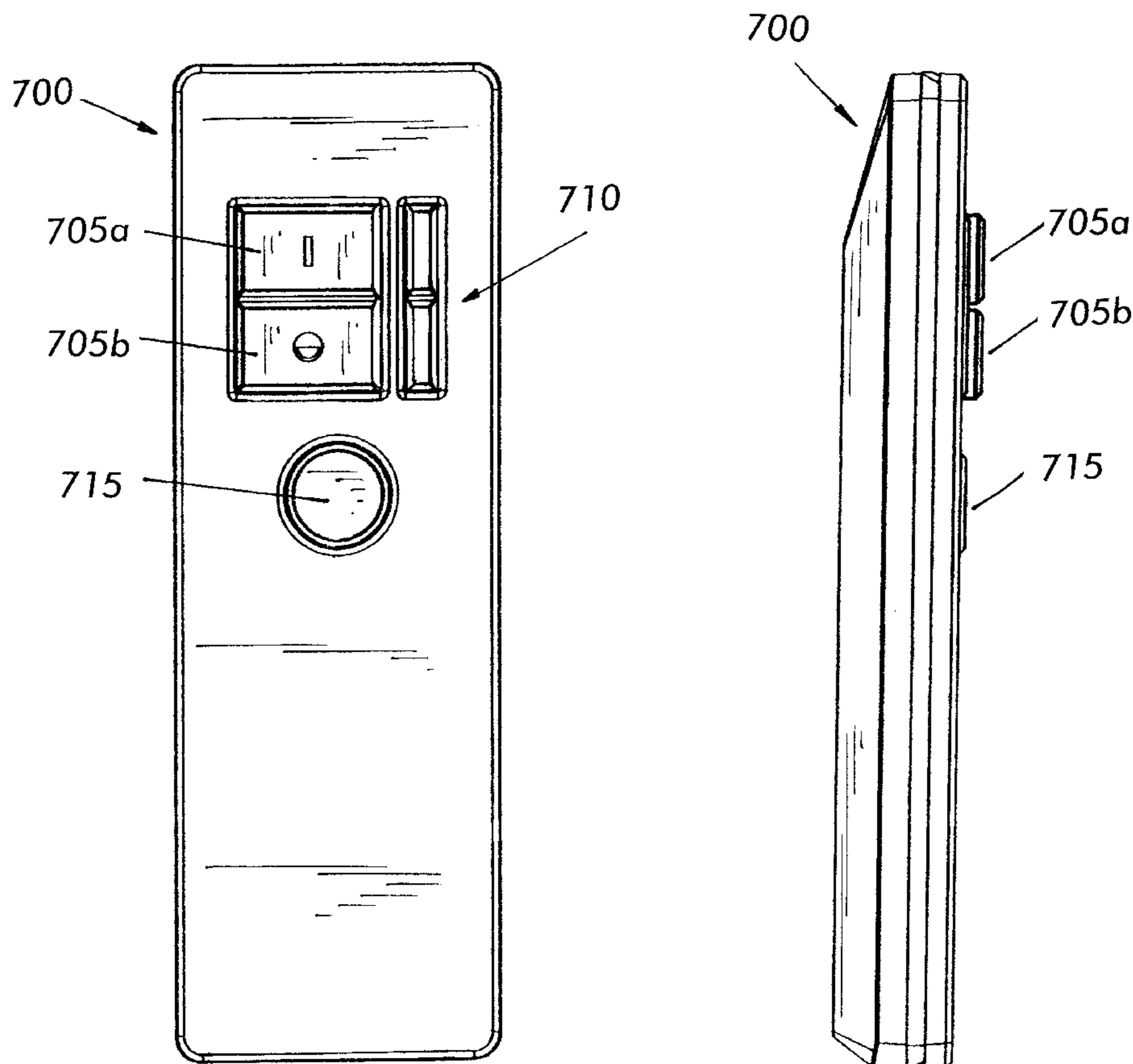
FIG 6 is a rear elevational view of the remote control of the present invention.

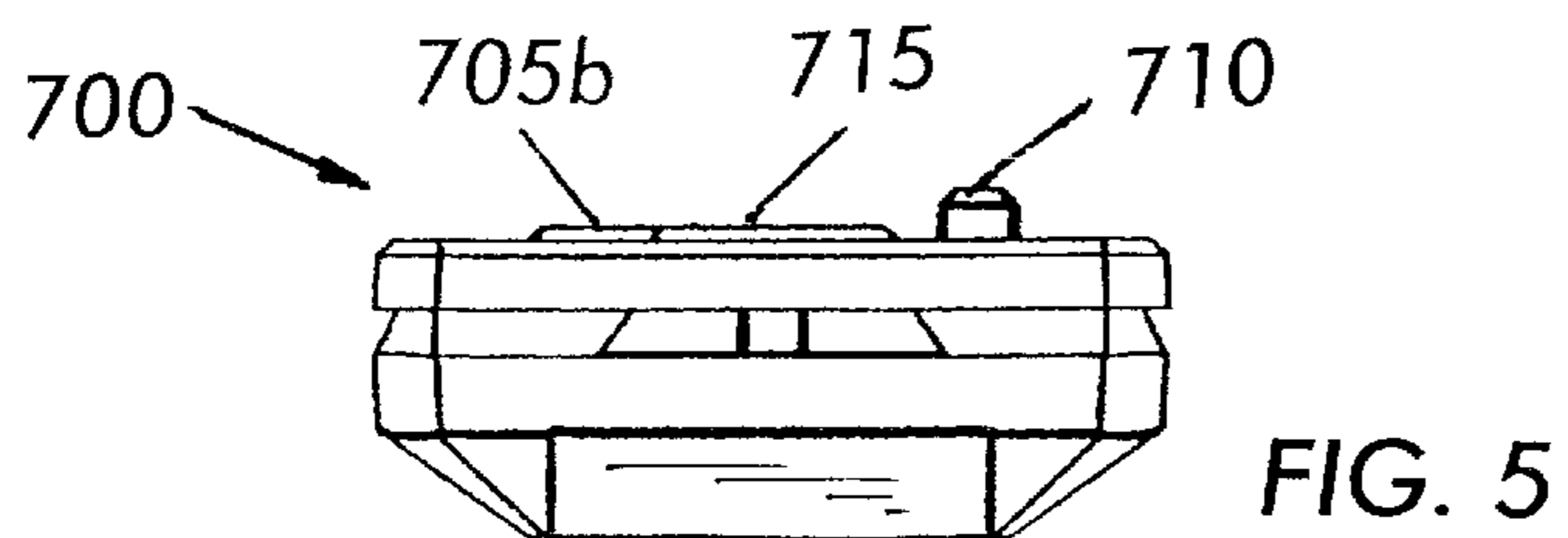
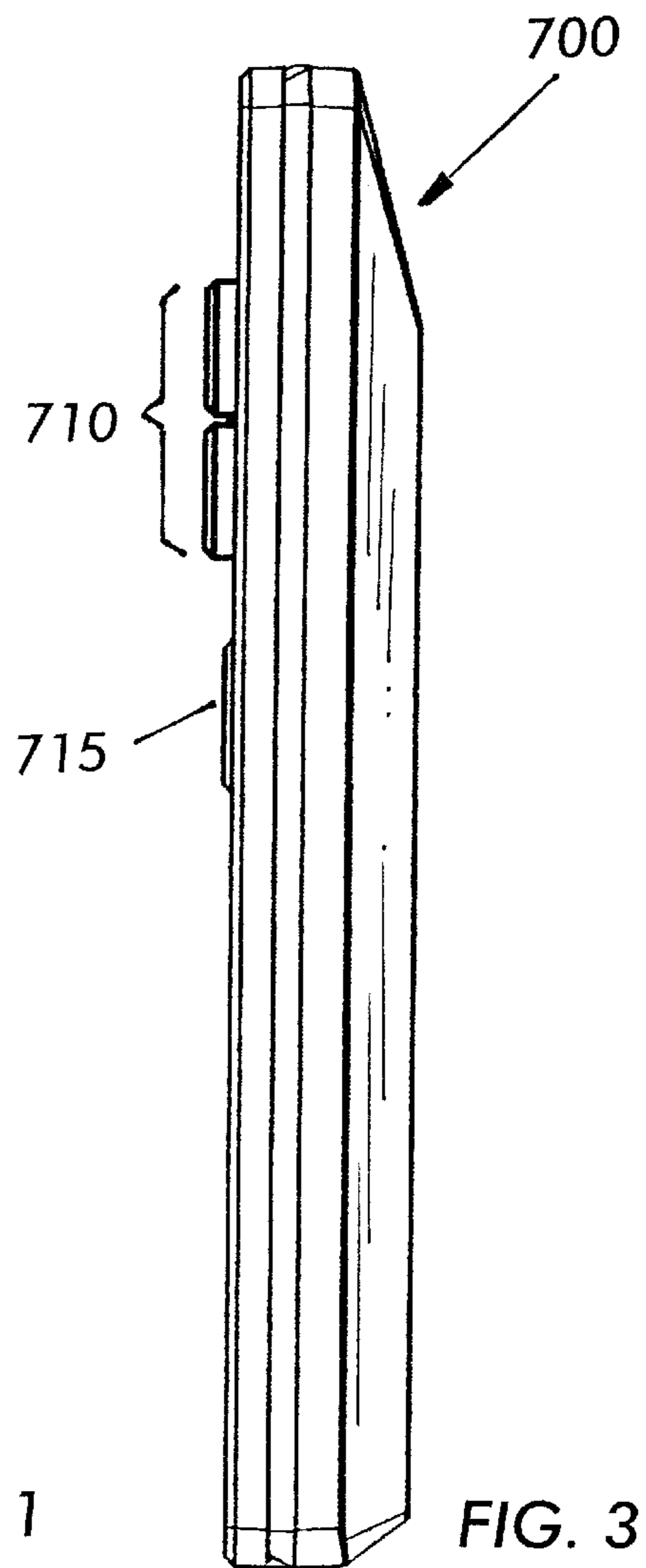
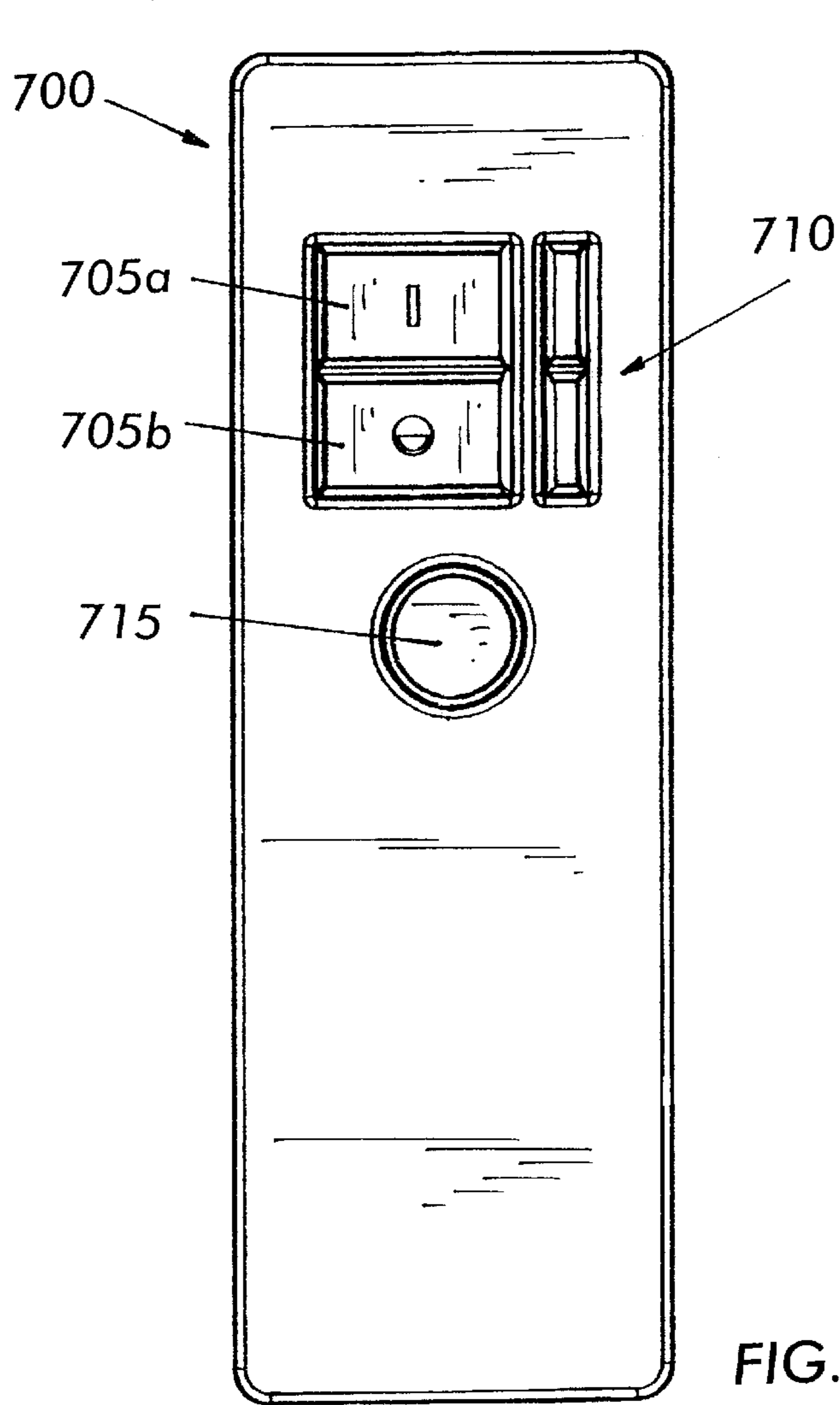
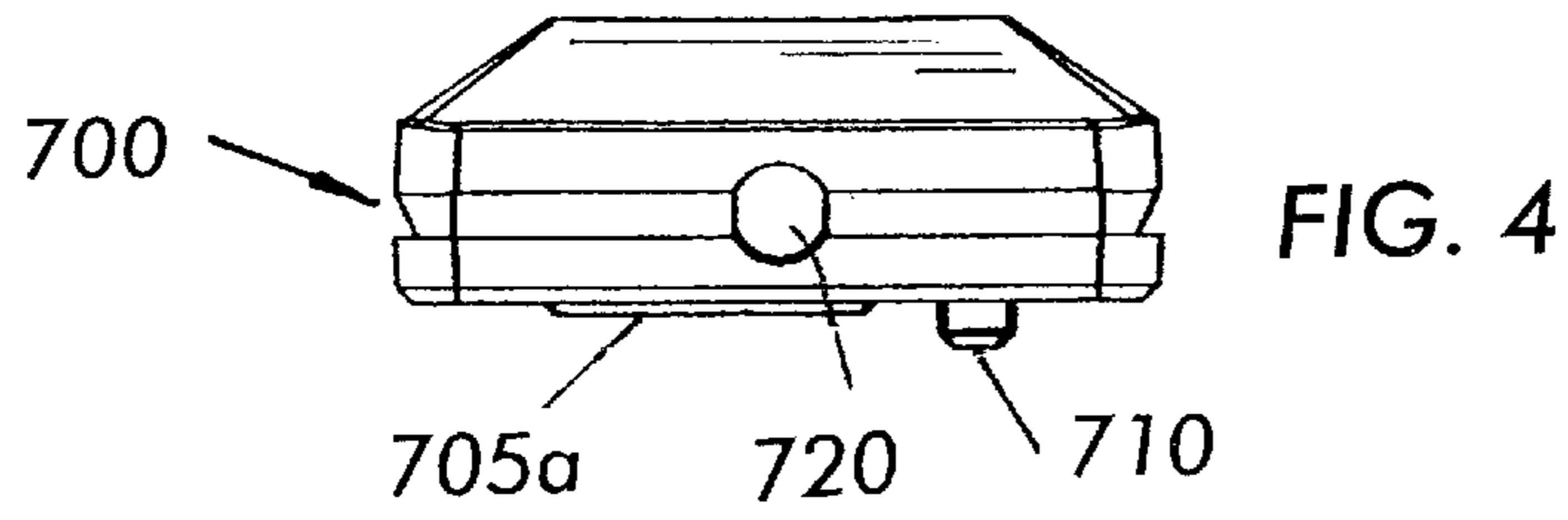
(56) **References Cited**

**U.S. PATENT DOCUMENTS**

D291,888 S	*	9/1987	Fong et al.	.....	D14/155
D302,544 S	*	8/1989	Spira	.....	D13/168
D317,593 S	*	6/1991	Rowen	.....	D13/168
5,140,108 A	*	8/1992	Miyajima	.....	174/52.1
D361,058 S	*	8/1995	Domel et al.	.....	D13/168
D391,924 S	*	3/1998	Mayo et al.	.....	D13/168

**1 Claim, 2 Drawing Sheets**





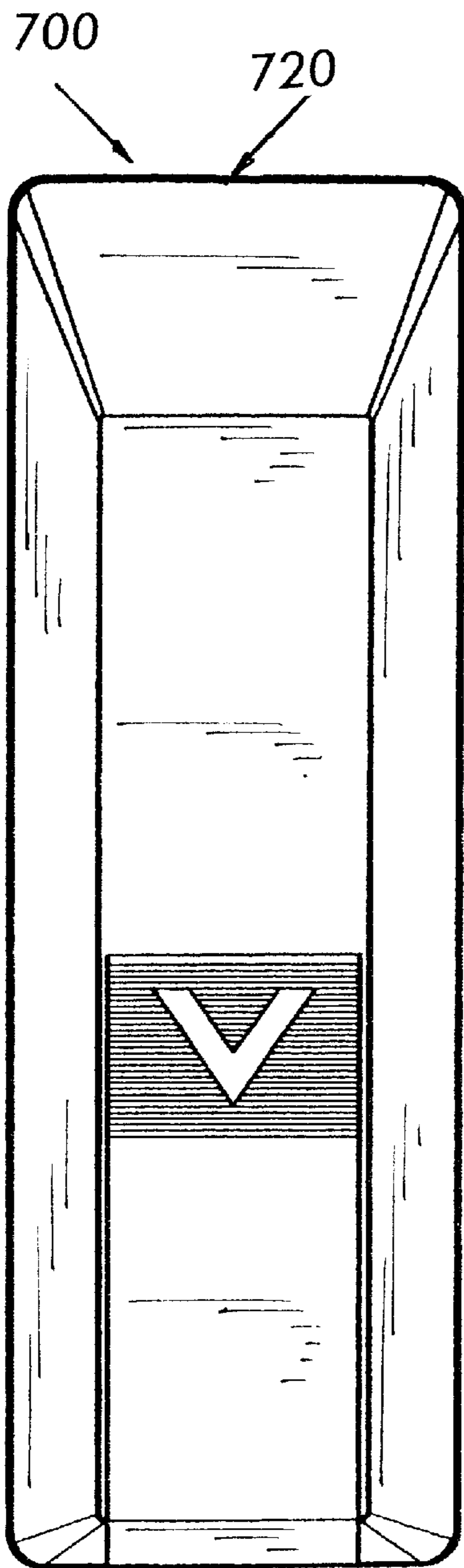


FIG. 6

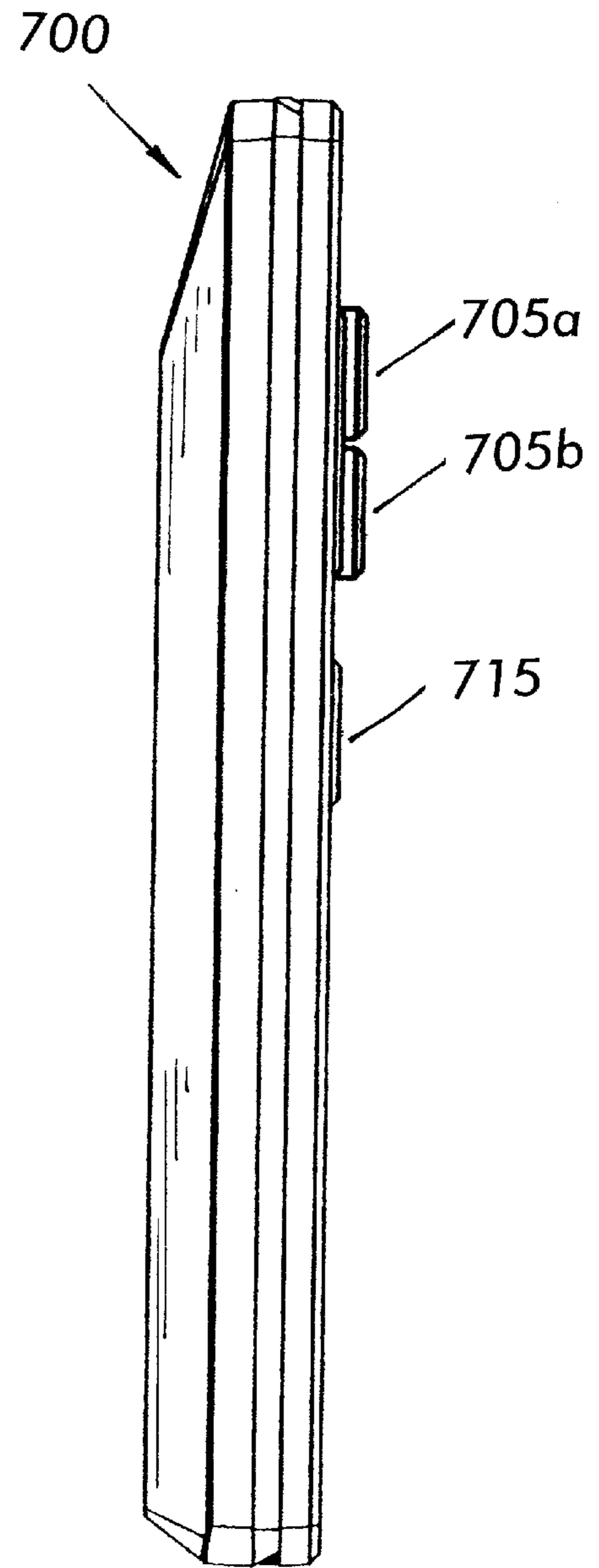


FIG. 2