

US00D496000S1

(12) **United States Design Patent**  
**Cornell**

(10) **Patent No.:** **US D496,000 S**

(45) **Date of Patent:** **\*\* Sep. 14, 2004**

(54) **HINGED CLAM-SHELL PROTECTOR WITH WATER-TIGHT O-RING SEAL FOR ELECTRICAL EXTENSION CORDS**

D464,325 S \* 10/2002 Peters et al. .... D13/156  
D473,524 S \* 4/2003 Koehler ..... D13/156  
D479,201 S \* 9/2003 Limber et al. .... D13/156

(76) **Inventor:** **Richard L. Cornell**, 20 Tosque Dr.,  
Tonkawa, OK (US) 74653

\* cited by examiner

*Primary Examiner*—Joel Sincavage

(74) *Attorney, Agent, or Firm*—Donald R. Schoonover

(\*\*) **Term:** **14 Years**

(57) **CLAIM**

(21) **Appl. No.:** **29/191,477**

I claim the ornamental design for a hinged clam-shell protector with water-tight O-ring seal for electrical extension cords, as shown and described.

(22) **Filed:** **Oct. 9, 2003**

(51) **LOC (7) Cl.** ..... **13-03**

(52) **U.S. Cl.** ..... **D13/156**

(58) **Field of Search** ..... D13/154, 156;  
439/369

**DESCRIPTION**

(56) **References Cited**

**U.S. PATENT DOCUMENTS**

460,048	A	9/1891	Farwell	
3,048,810	A	8/1962	Steen	
3,059,209	A	* 10/1962	Bird	439/369
3,344,393	A	* 9/1967	Hendee	439/369
D243,698	S	3/1977	Gletzen	
D284,465	S	* 7/1986	Epley	D13/156
4,643,505	A	* 2/1987	House et al.	439/369
D332,940	S	* 2/1993	Finlay	D13/154
5,217,387	A	* 6/1993	Hull et al.	439/367
5,259,782	A	* 11/1993	Giffin	439/367
D346,787	S	5/1994	Cullen	
5,743,752	A	4/1998	Massebeuf	
5,755,588	A	* 5/1998	Sweatman et al.	439/369
D407,377	S	* 3/1999	Landerholm et al.	D13/154
5,913,692	A	* 6/1999	Targett	439/369

FIG. 1 is a perspective view of a hinged clam-shell protector with water-tight O-ring seal for electrical extension cords showing my new design;

FIG. 2 is an end elevational view thereof, the elevational view of the opposing end being a mirror image thereof;

FIG. 3 is a side elevational view thereof;

FIG. 4 is an elevational view of the opposing side thereof;

FIG. 5 is a top plan view thereof;

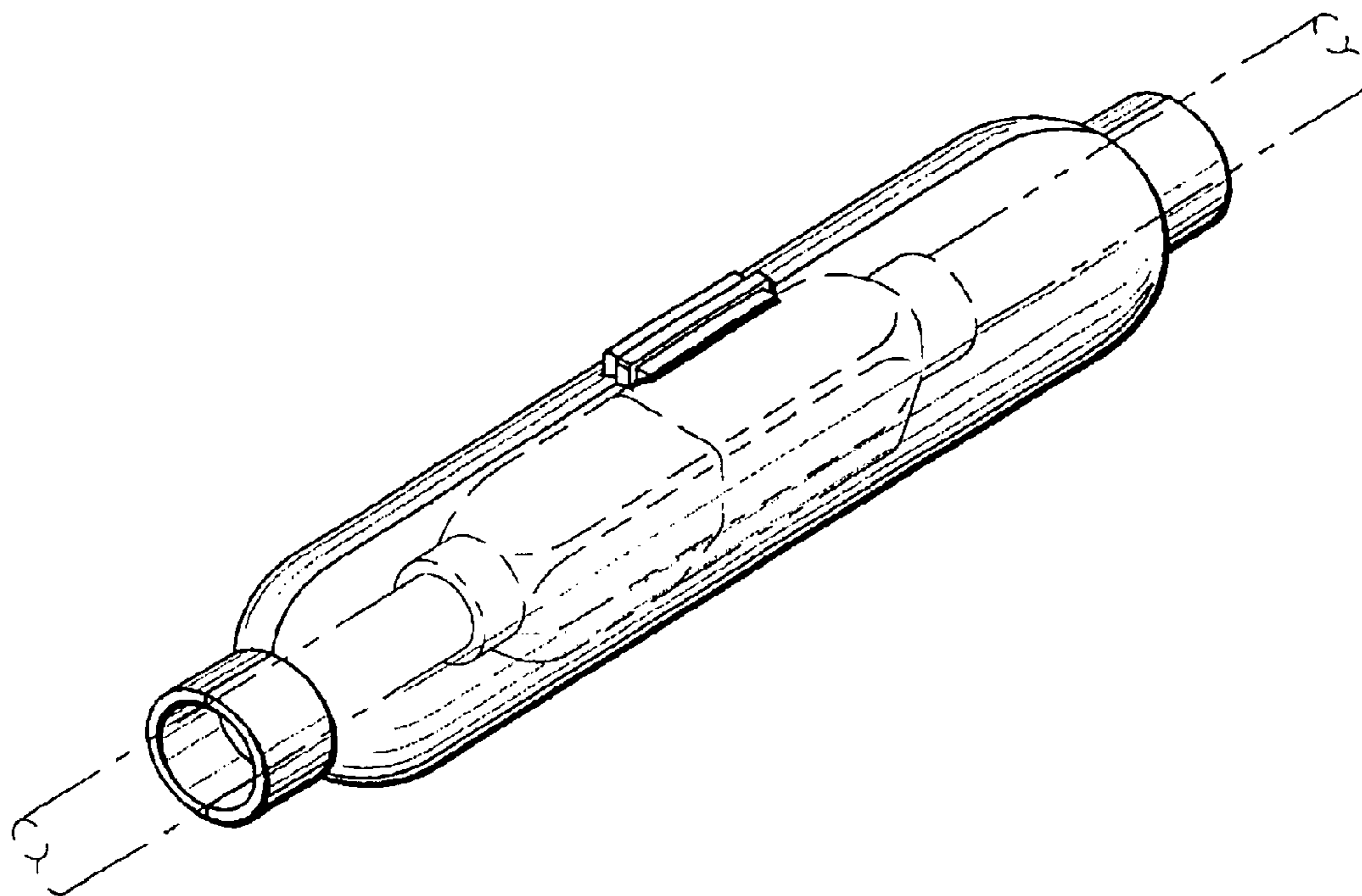
FIG. 6 is a bottom plan view thereof;

FIG. 7 is a transverse cross-sectional view thereof taken along line 7—7 of FIG. 4;

FIG. 8 is a longitudinal cross-sectional view thereof taken along line 8—8 of FIG. 2; and,

FIG. 9 is perspective view showing the hinged clam-shell protector with water-tight O-ring seal for electrical extension cords in use; the broken lines depict environmental structure for illustrative purposes only and form no part of the claimed design.

**1 Claim, 4 Drawing Sheets**



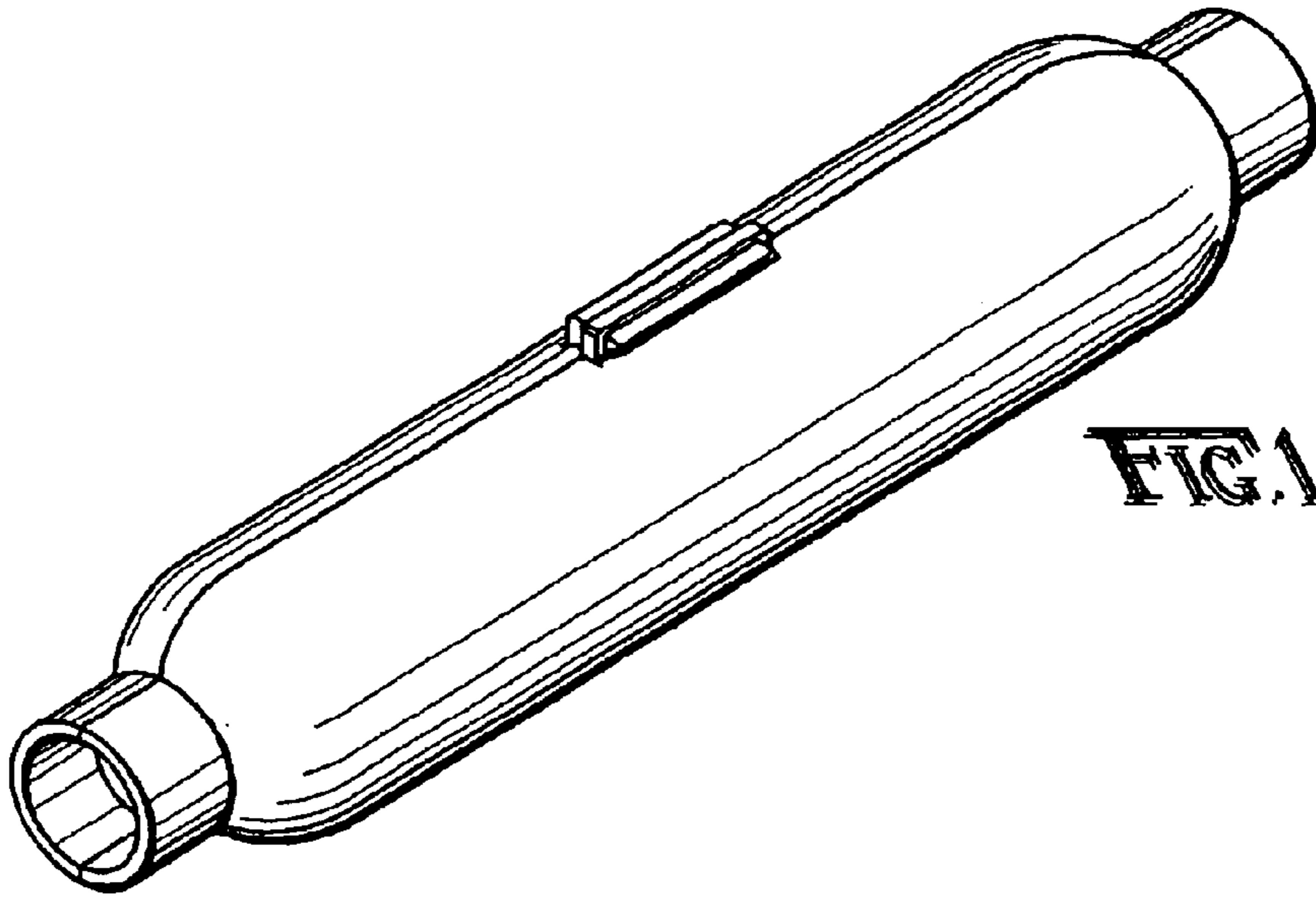


FIG. 1

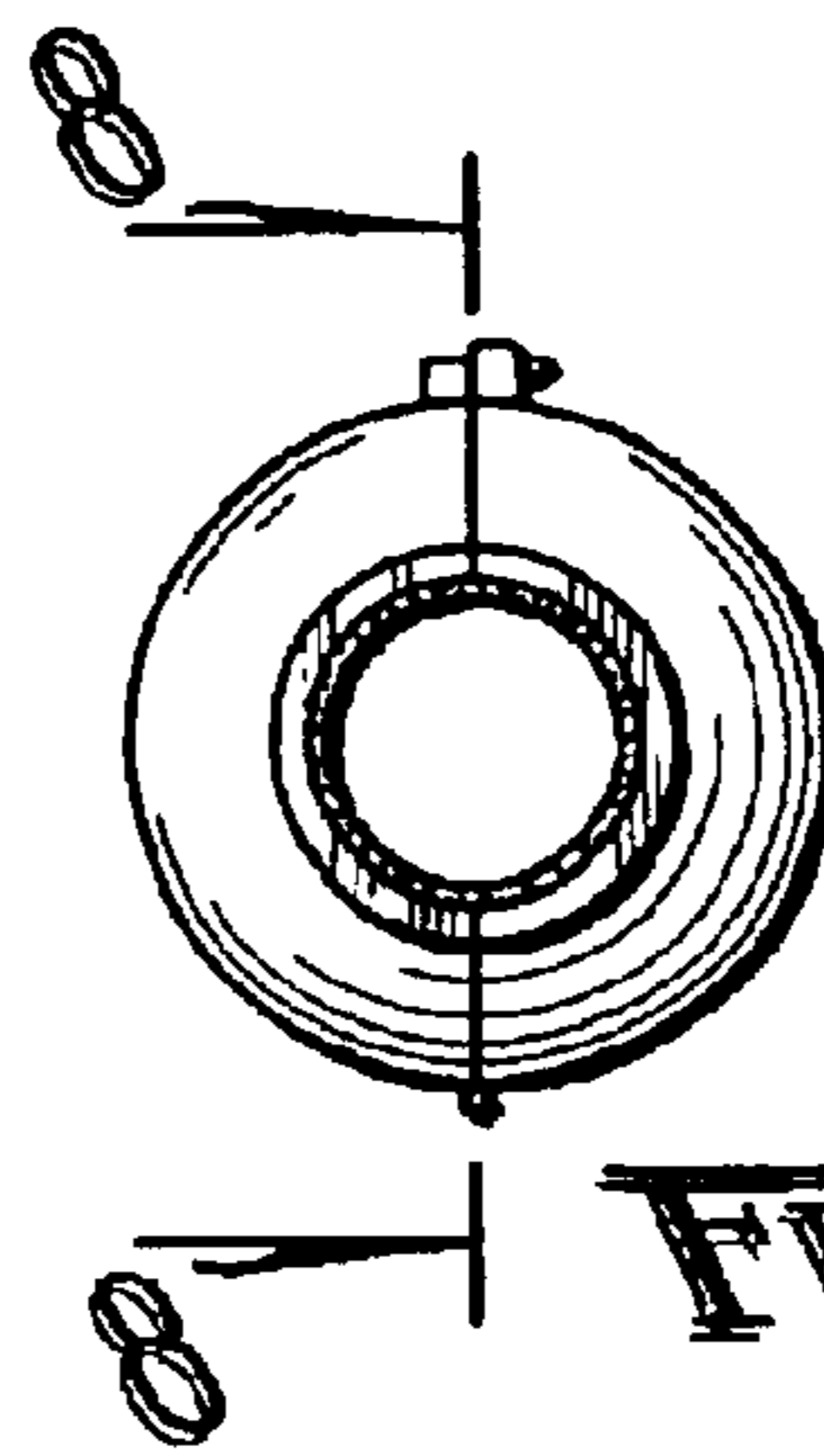


FIG. 2

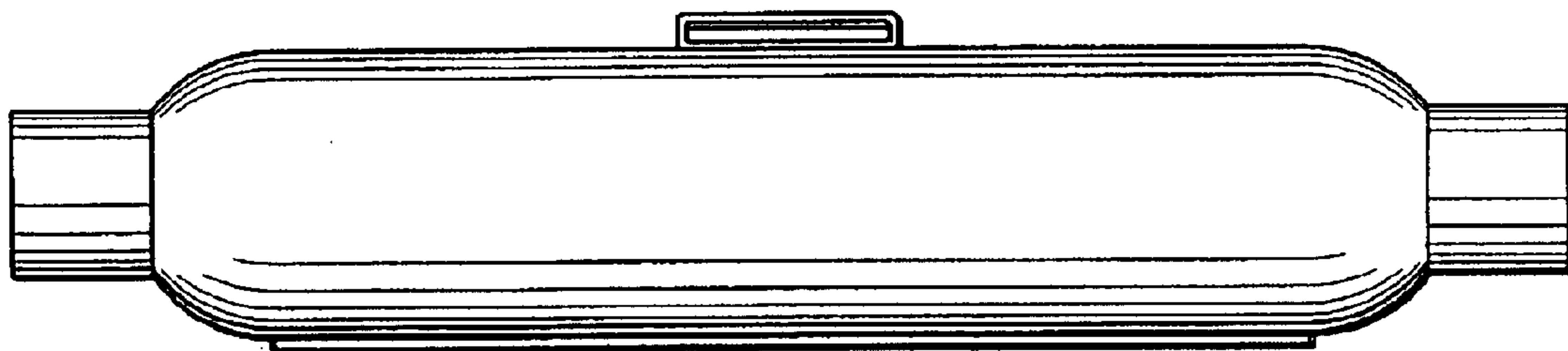
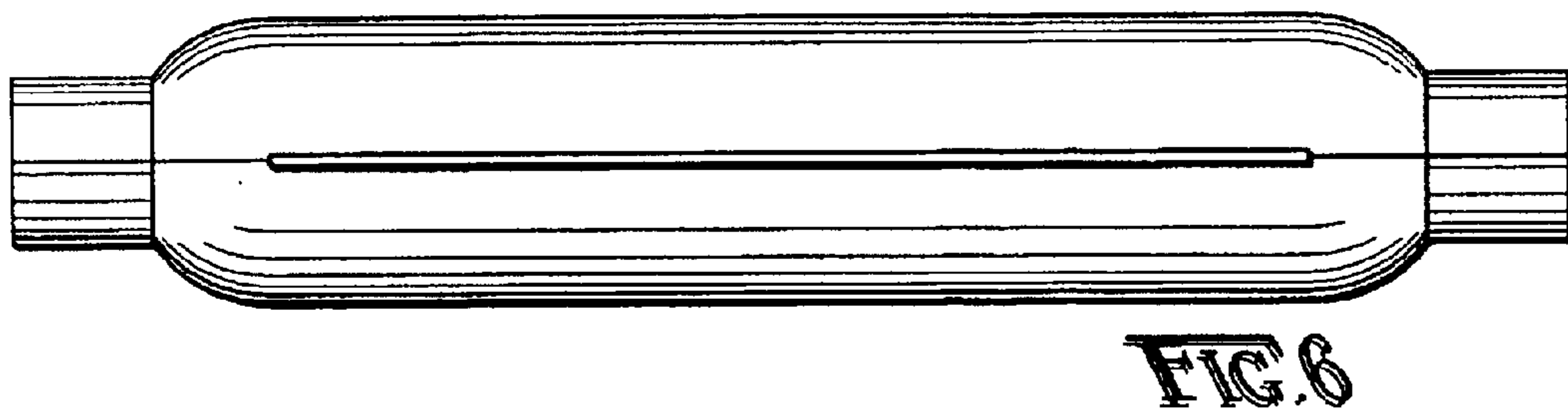
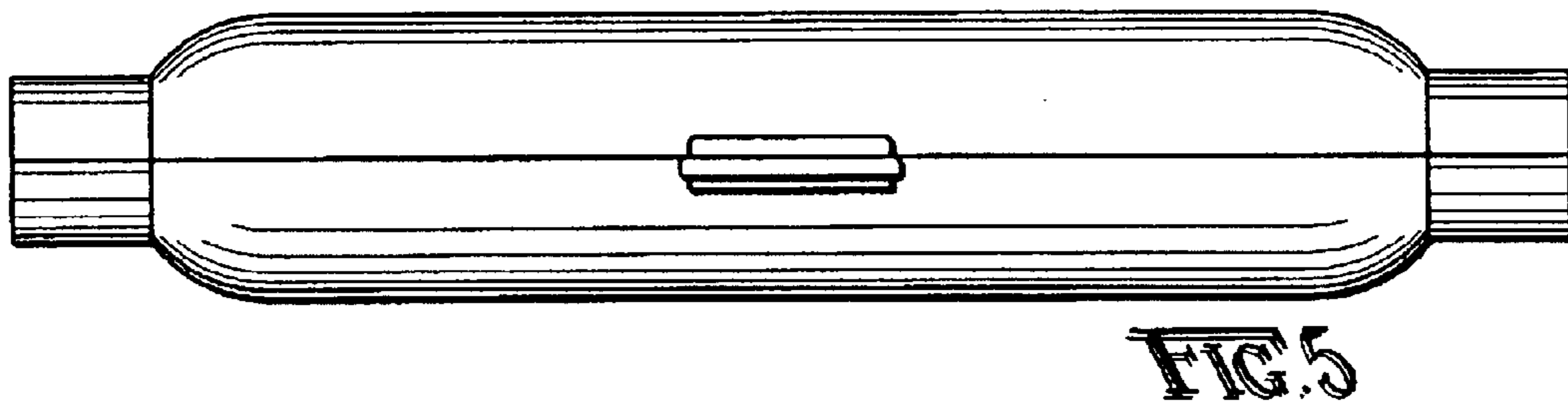
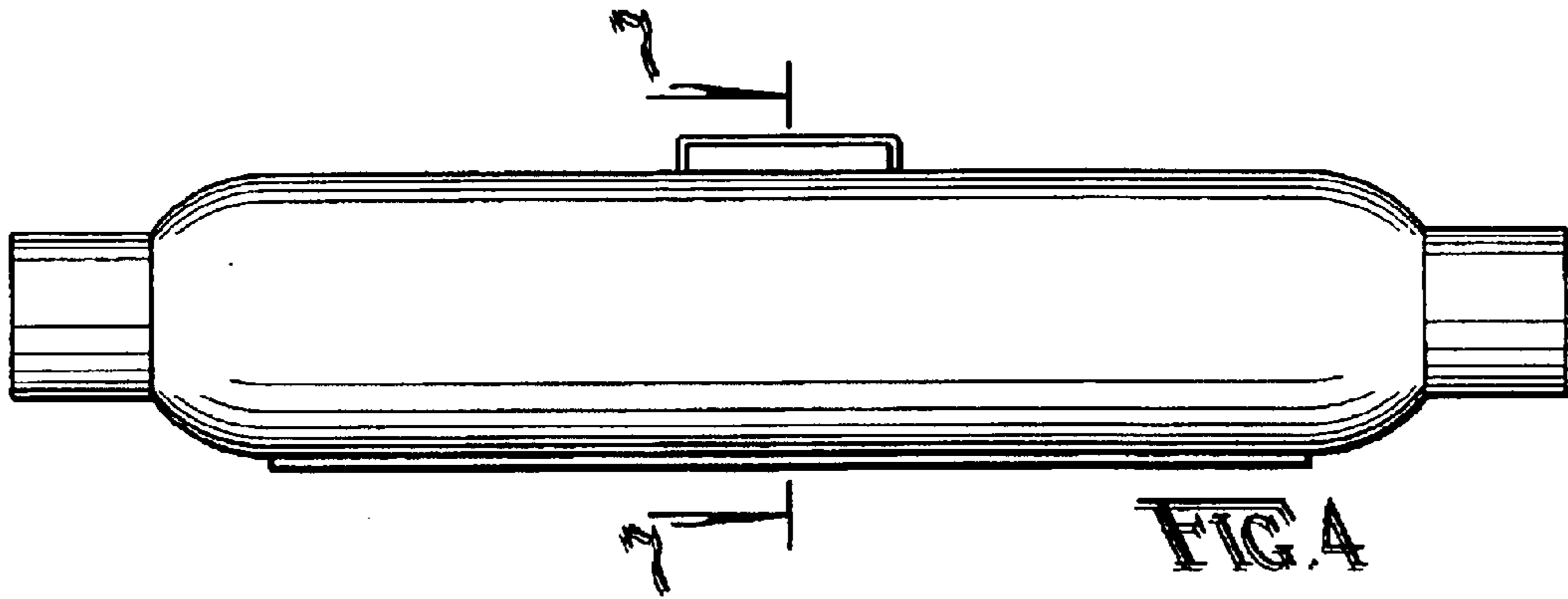


FIG. 3



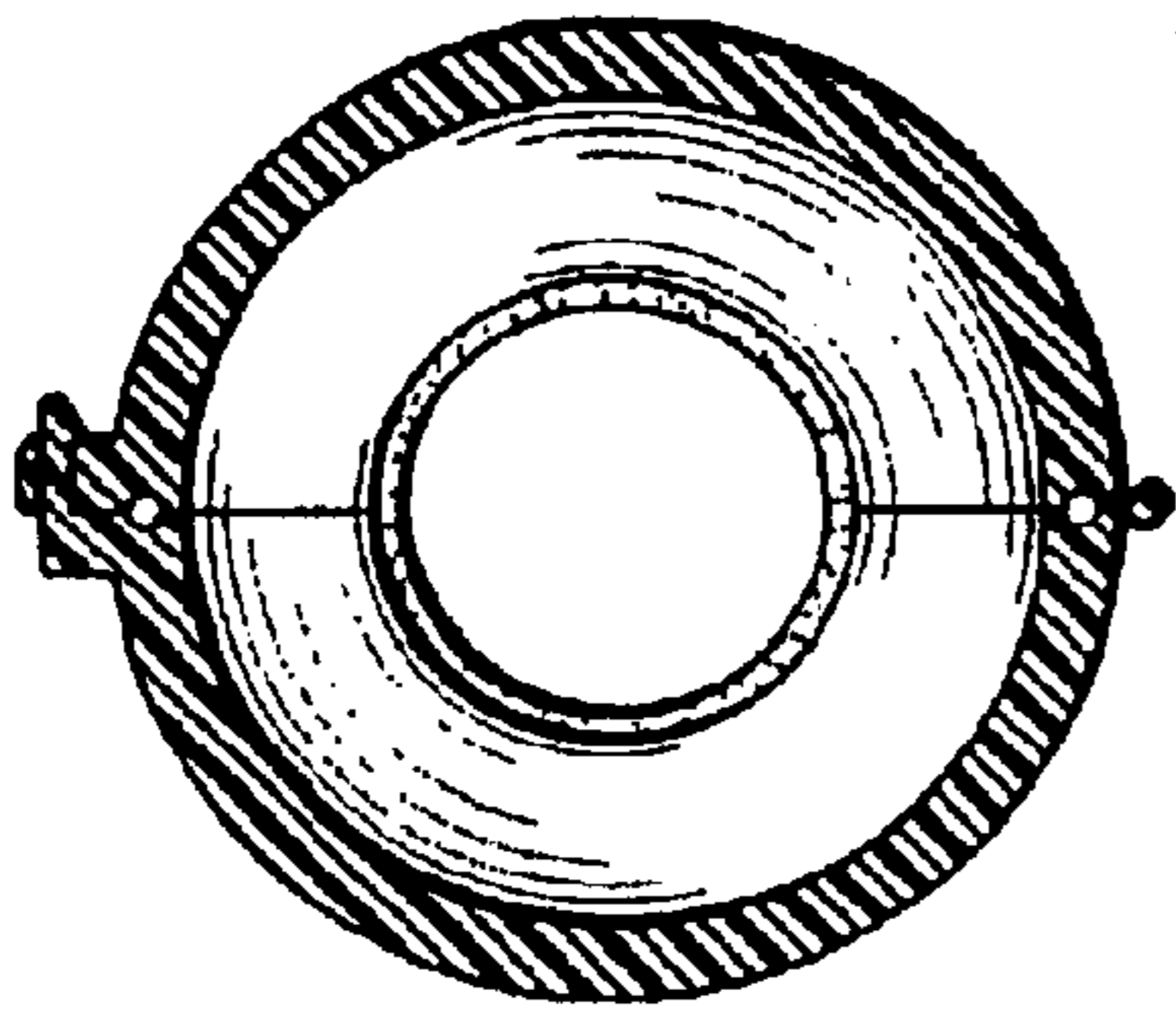


FIG. 7

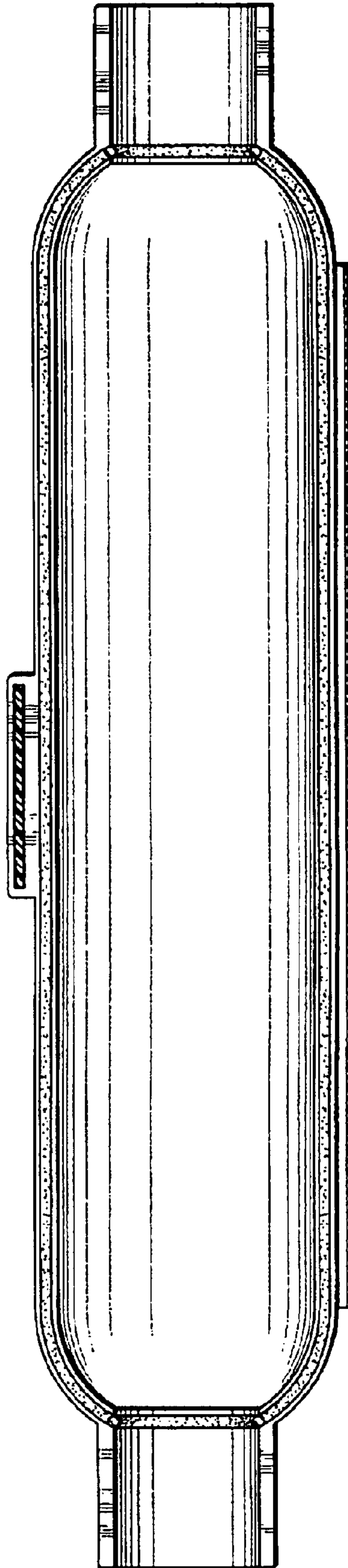


FIG. 8

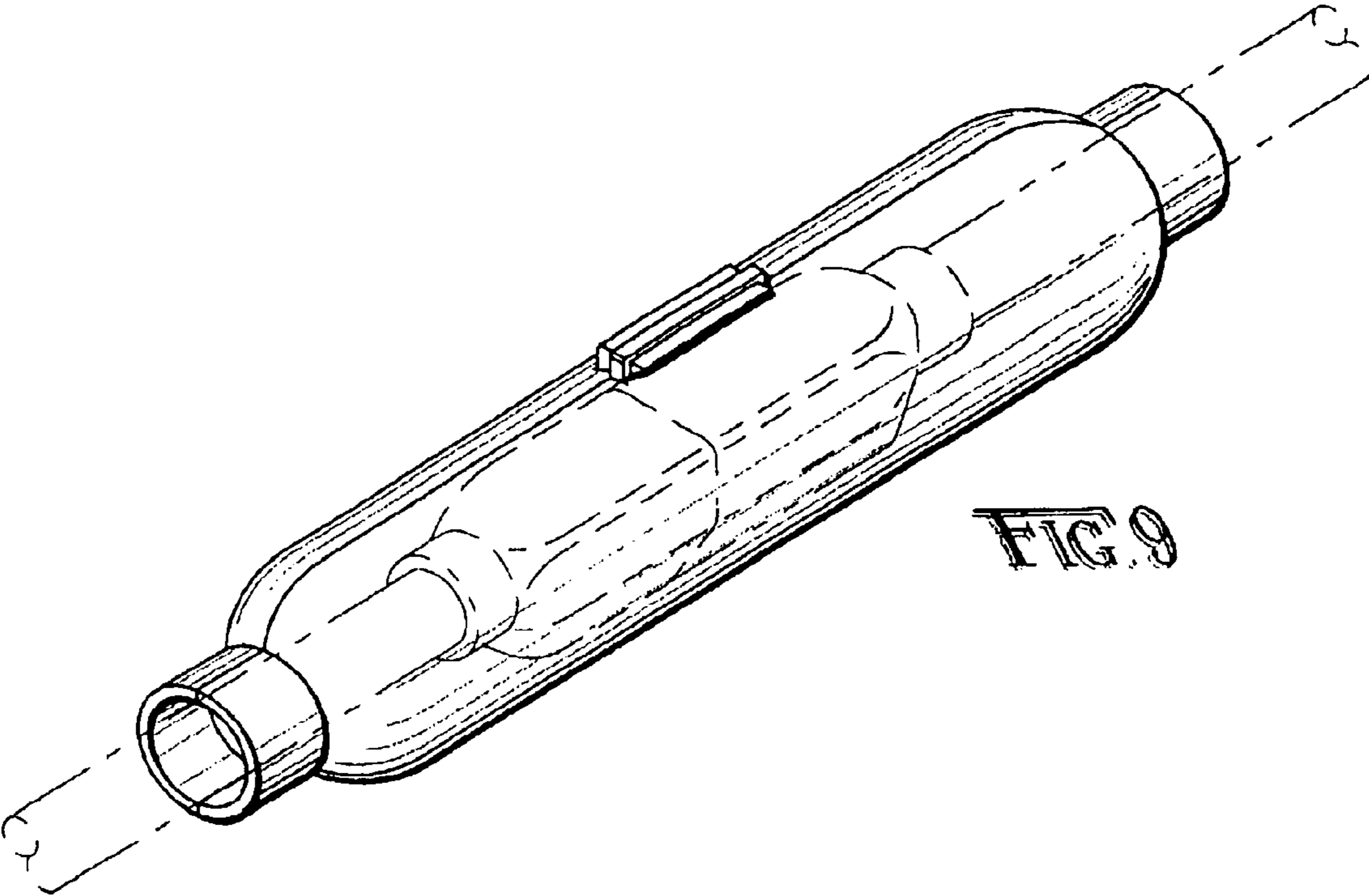


FIG. 9