

US00D495993S1

(12) **United States Design Patent**
Krieger et al.

(10) **Patent No.: US D495,993 S**

(45) **Date of Patent: ** Sep. 14, 2004**

(54) **JUMP STARTER**

D469,401 S * 1/2003 Griffey et al. D13/110
D474,151 S * 5/2003 James et al. D13/119
D483,326 S * 12/2003 Krieger et al. D13/107

(75) Inventors: **Michael Krieger**, Miami Beach, FL
(US); **Kevin Ellsworth**, Hollywood, FL
(US)

* cited by examiner

(73) Assignee: **Vector Products, Inc.**, Ft. Lauderdale,
FL (US)

Primary Examiner—Joel Sincavage
(74) *Attorney, Agent, or Firm*—Venable LLP; Robert
Kinberg

(**) Term: **14 Years**

(57) **CLAIM**

(21) Appl. No.: **29/187,696**

The ornamental design for a jump starter, as shown and
described.

(22) Filed: **Aug. 6, 2003**

DESCRIPTION

(51) **LOC (7) Cl.** **13-02**

(52) **U.S. Cl.** **D13/107**

(58) **Field of Search** D13/107, 108;
D14/251, 253; 320/105, 107-116

FIG. 1 is a perspective view from the front-top-left side of
the jump starter showing of our new design;
FIG. 2 is a front view of the design shown in FIG. 1;
FIG. 3 is a rear view of the design shown in FIG. 1;
FIG. 4 is a left side view of the design shown in FIG. 1;
FIG. 5 is a right side view of the design shown in FIG. 1;
FIG. 6 is a top view of the design shown in FIG. 1; and,
FIG. 7 is a bottom view of the design shown in FIG. 1.

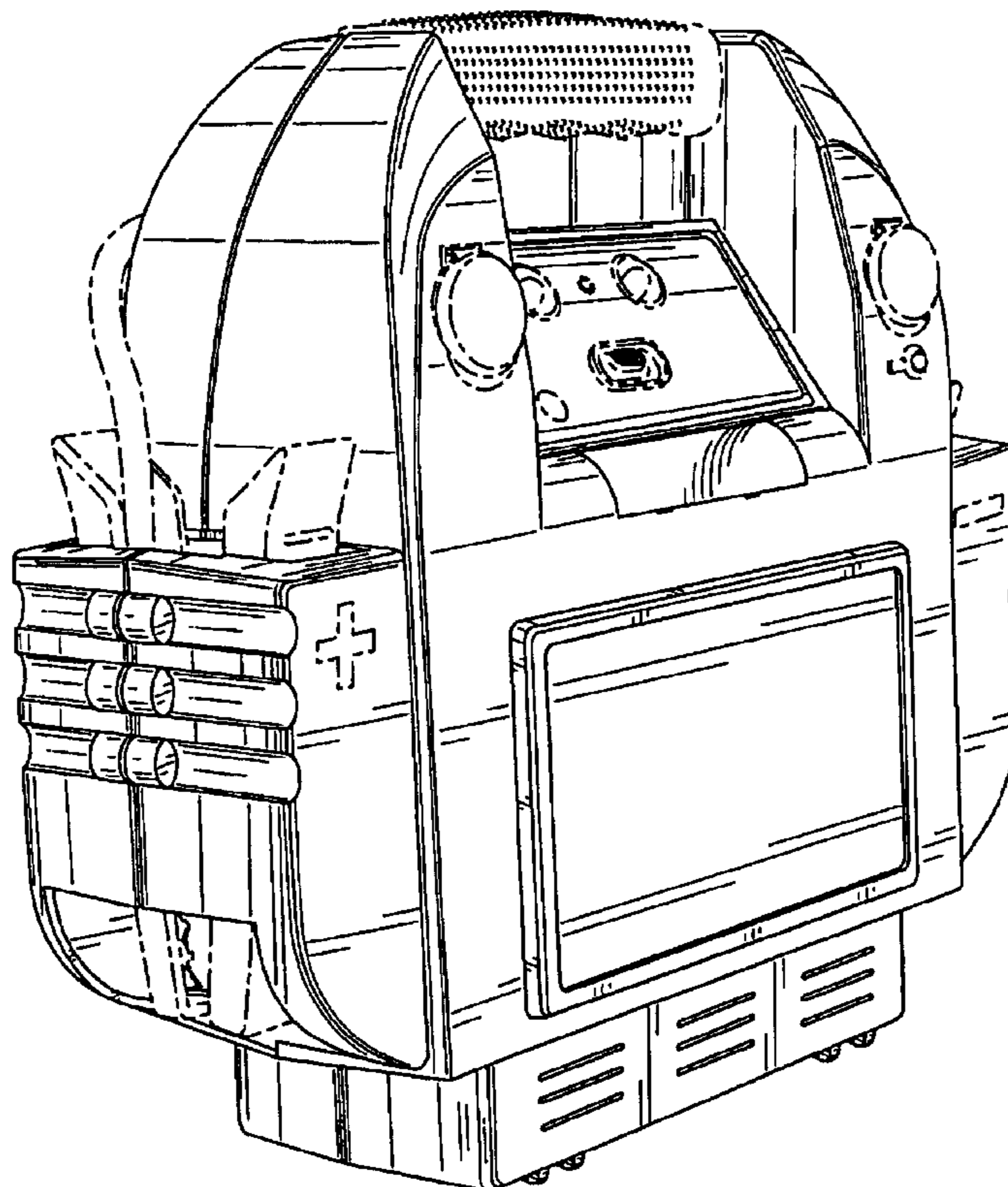
(56) **References Cited**

U.S. PATENT DOCUMENTS

D330,187 S * 10/1992 Shimoo et al. D13/107
5,793,185 A * 8/1998 Prelec et al. 320/105
D413,098 S * 8/1999 Dayan D13/110
6,002,235 A * 12/1999 Clore 320/105
D423,451 S * 4/2000 Heckenast et al. D13/110
D429,482 S * 8/2000 Hussaini et al. D13/107
D444,125 S * 6/2001 Shy D13/110
RE37,482 E * 12/2001 Guay et al. D13/110

The broken lines immediately adjacent the shaded areas
represent the bounds of the claimed design while all other
broken lines are for illustrative purposes only; the broken
lines form no part of the claimed design.

1 Claim, 7 Drawing Sheets



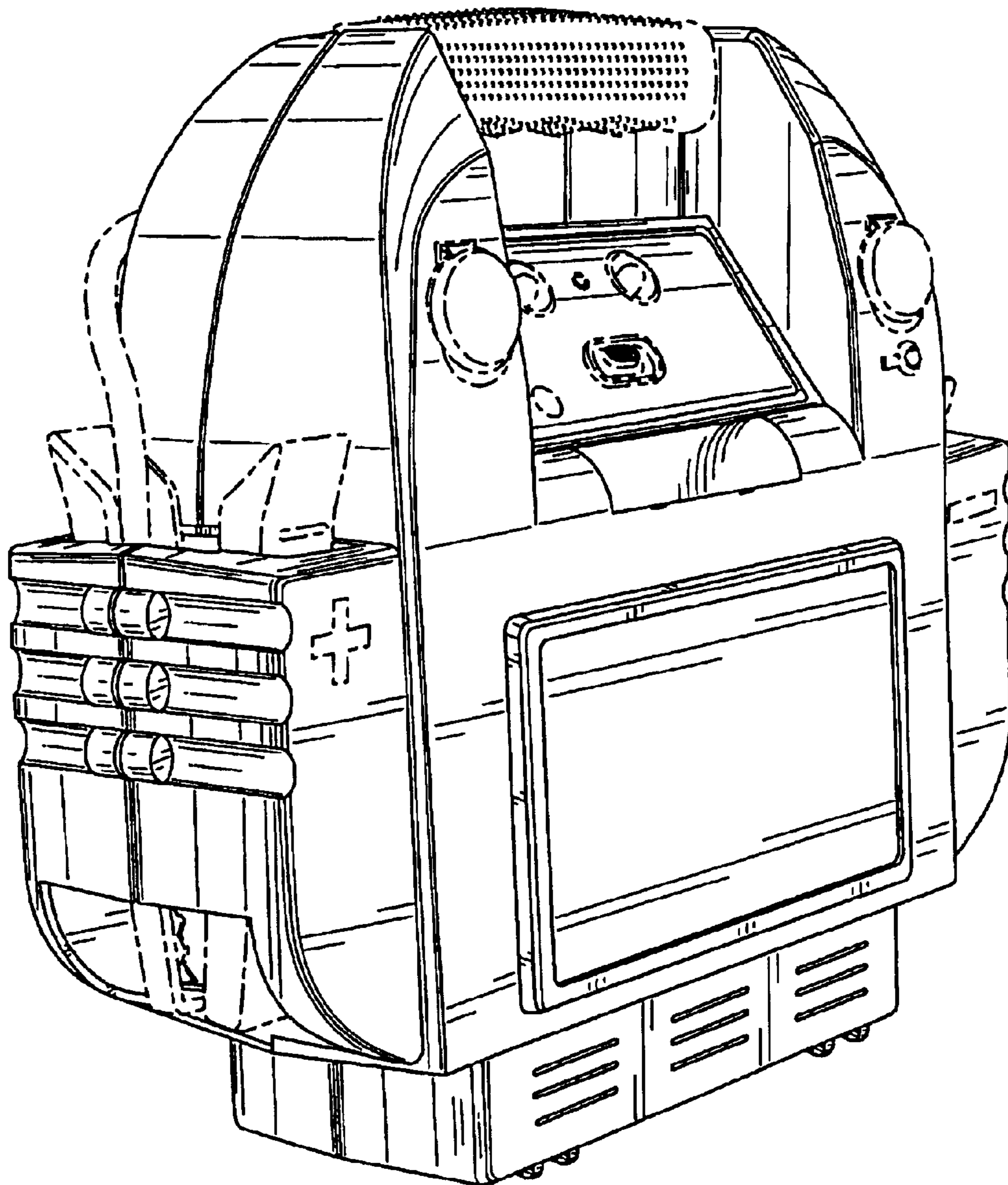


FIG. 1

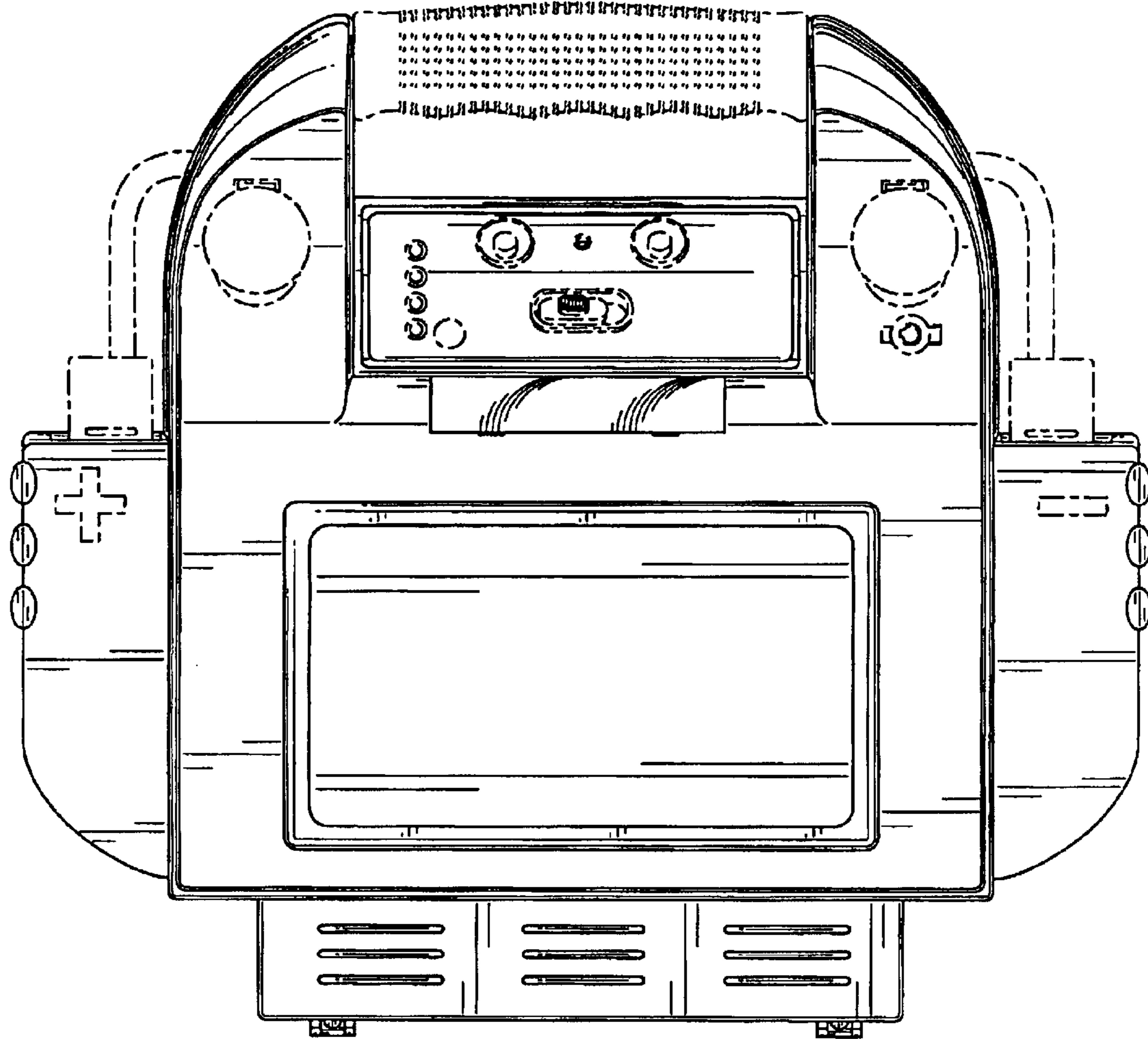


FIG. 2

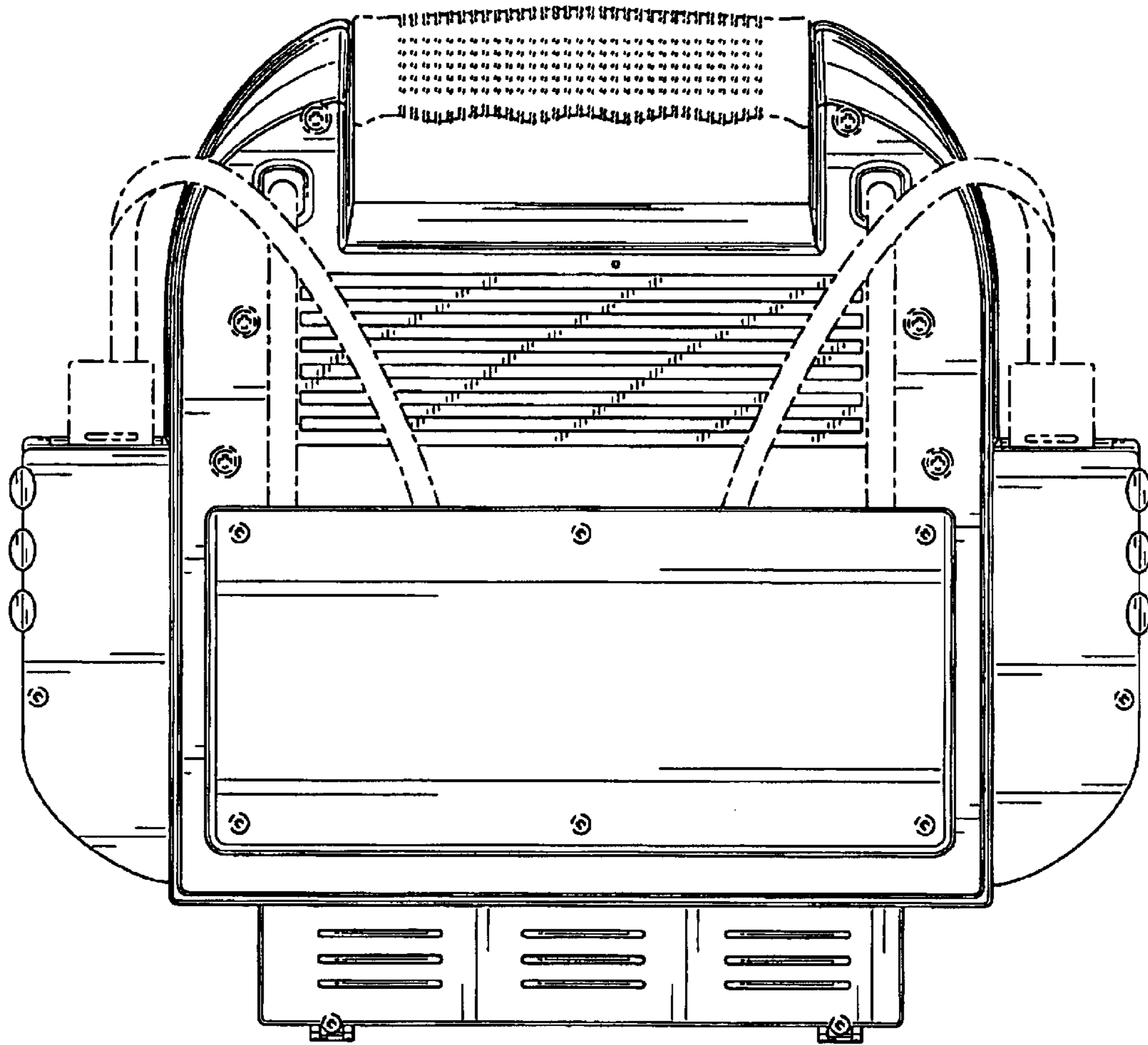


FIG. 3

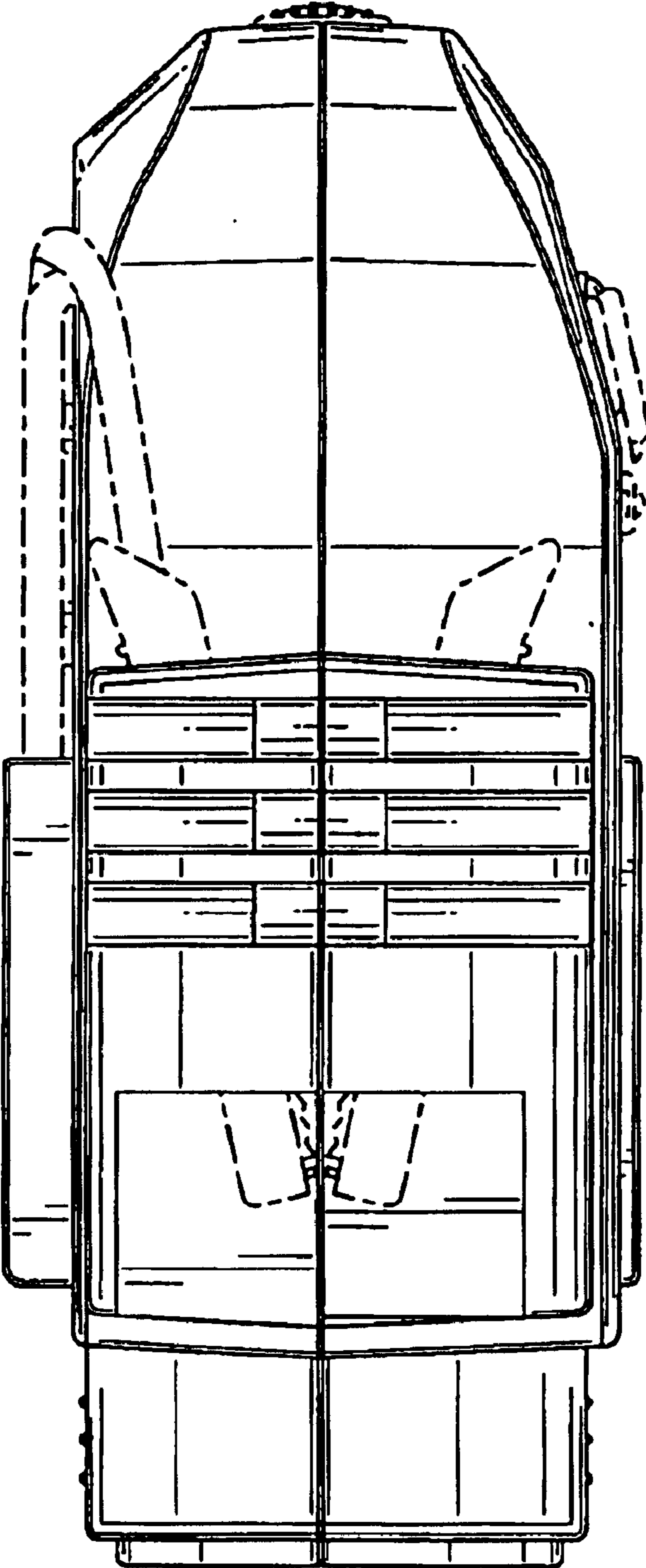


FIG. 4

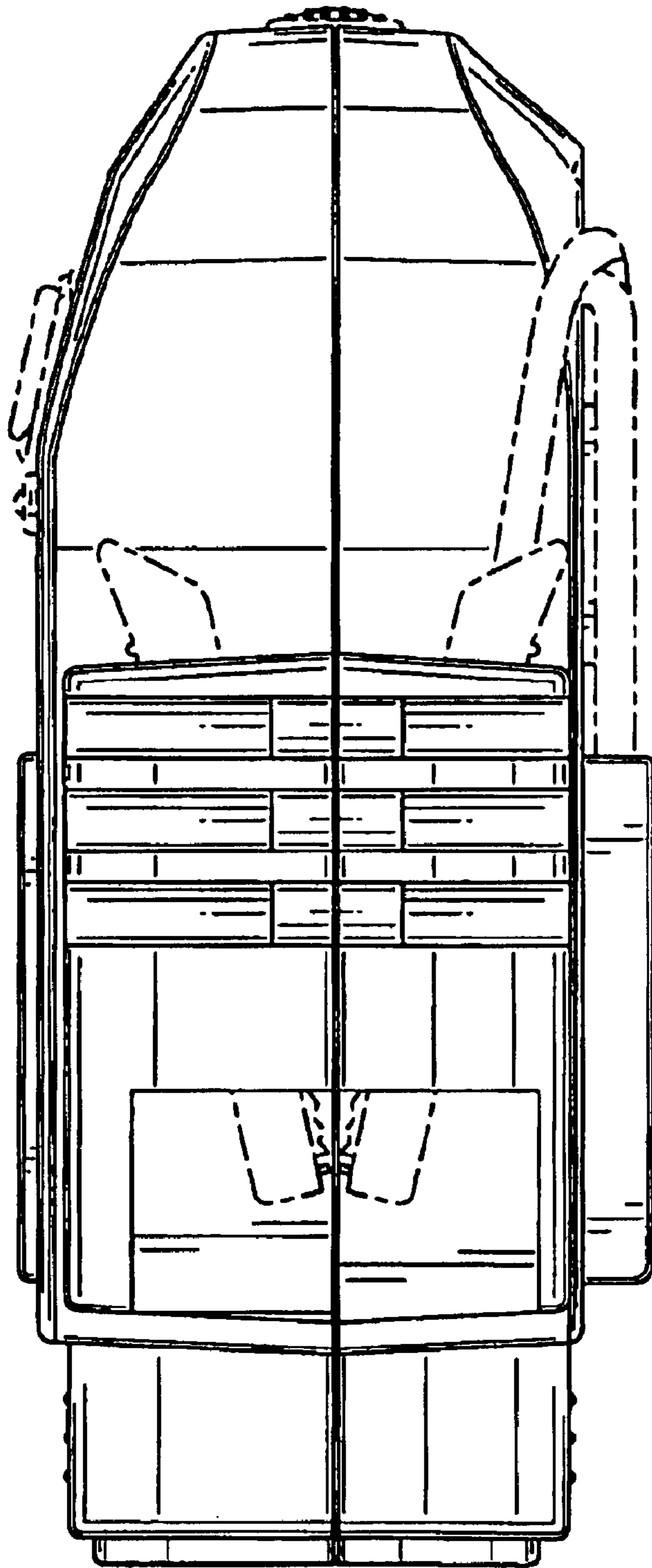


FIG. 5

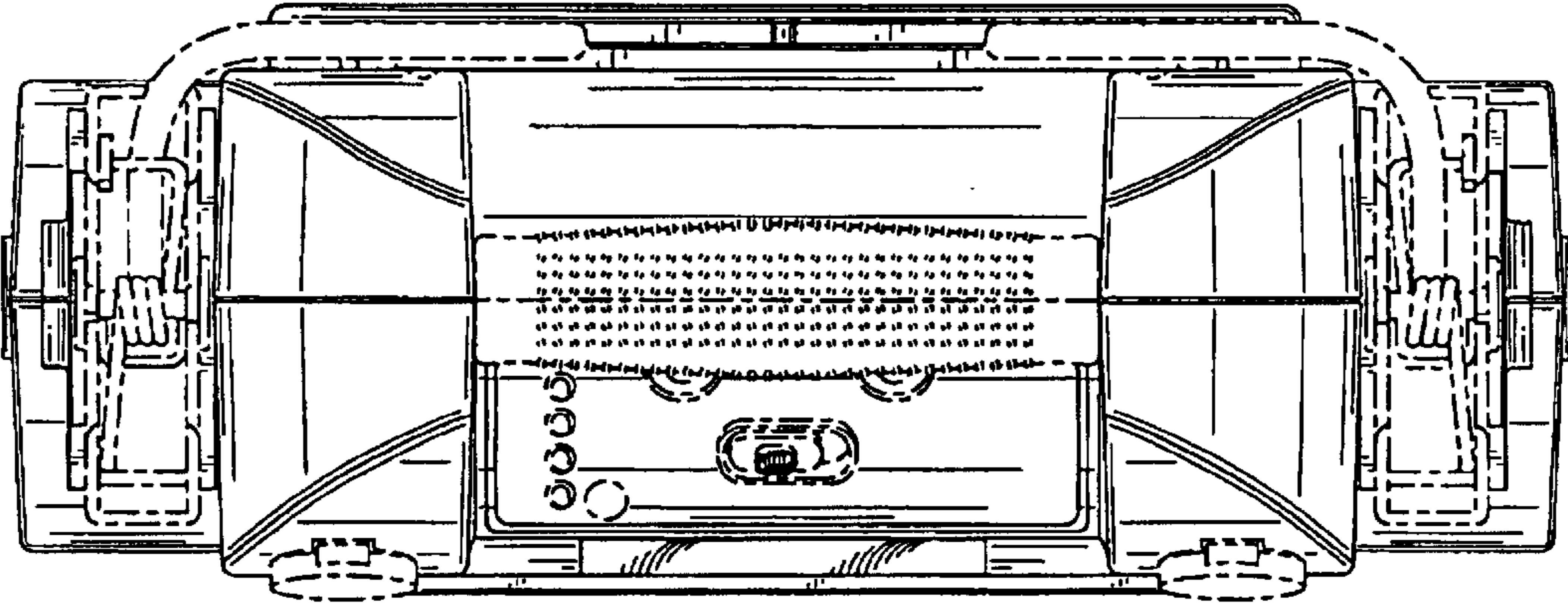


FIG. 6

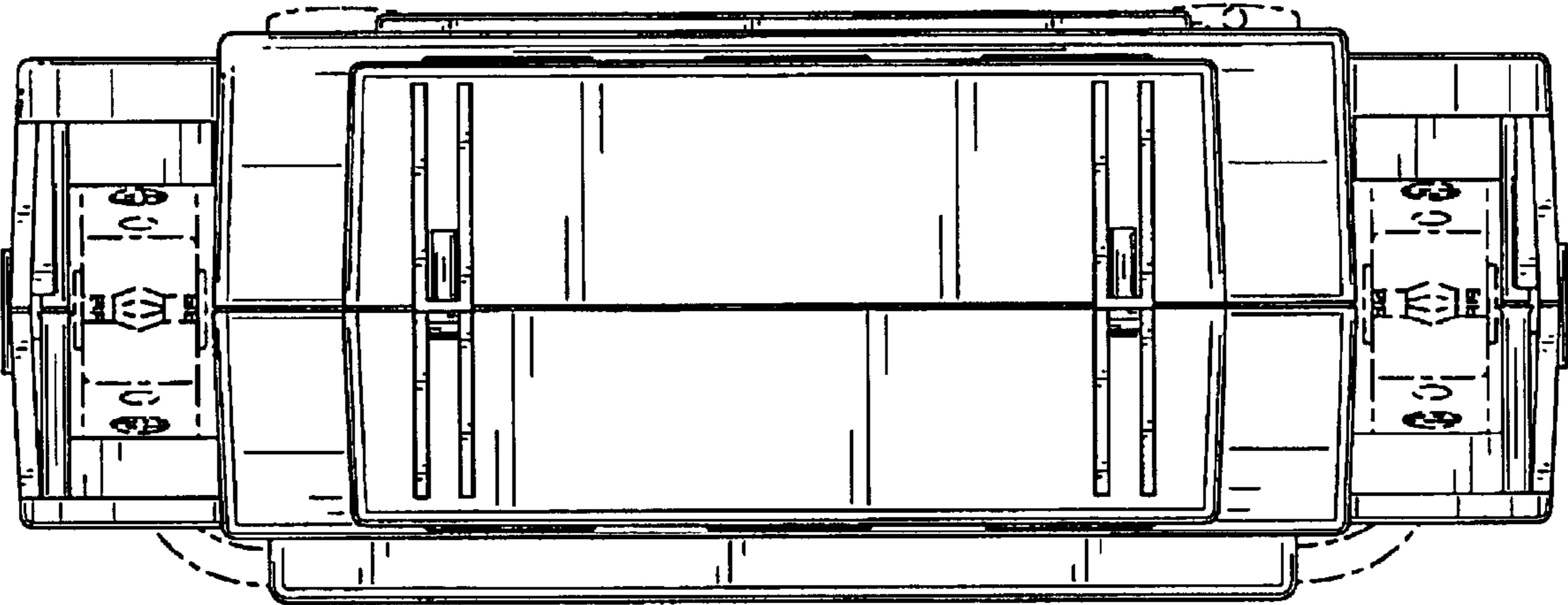


FIG. 7