

US00D495992S1

(12) **United States Design Patent**
Lim

(10) **Patent No.:** **US D495,992 S**

(45) **Date of Patent:** **** Sep. 14, 2004**

(54) **RECHARGEABLE BATTERY PACK FOR
HANDHELD ELECTRONIC GAME**

(75) **Inventor:** **Tsz-Kin Lim, Kowloon (CN)**

(73) **Assignee:** **Storm Electronics Company Limited,
Kowloon (CN)**

(**) **Term:** **14 Years**

(21) **Appl. No.:** **29/195,766**

(22) **Filed:** **Dec. 17, 2003**

(30) **Foreign Application Priority Data**

Jun. 26, 2003 (HK) 0310980

(51) **LOC (7) Cl.** **13-02**

(52) **U.S. Cl.** **D13/103**

(58) **Field of Search** D13/103, 110,
D13/119; D21/333; 429/96-100, 159, 163,
176

(56) **References Cited**

U.S. PATENT DOCUMENTS

D293,097 S * 12/1987 Alligood et al. D13/103
D331,906 S * 12/1992 Mohri D13/103

D397,670 S * 9/1998 Davies et al. D13/103
5,898,290 A * 4/1999 Beard et al. 307/150
D427,143 S * 6/2000 Kulberg D13/103
D430,106 S * 8/2000 Lee D13/103
D481,008 S * 10/2003 Wade D13/103

* cited by examiner

Primary Examiner—Joel Sincavage

(74) *Attorney, Agent, or Firm*—Alix, Yale & Ristas, LLP

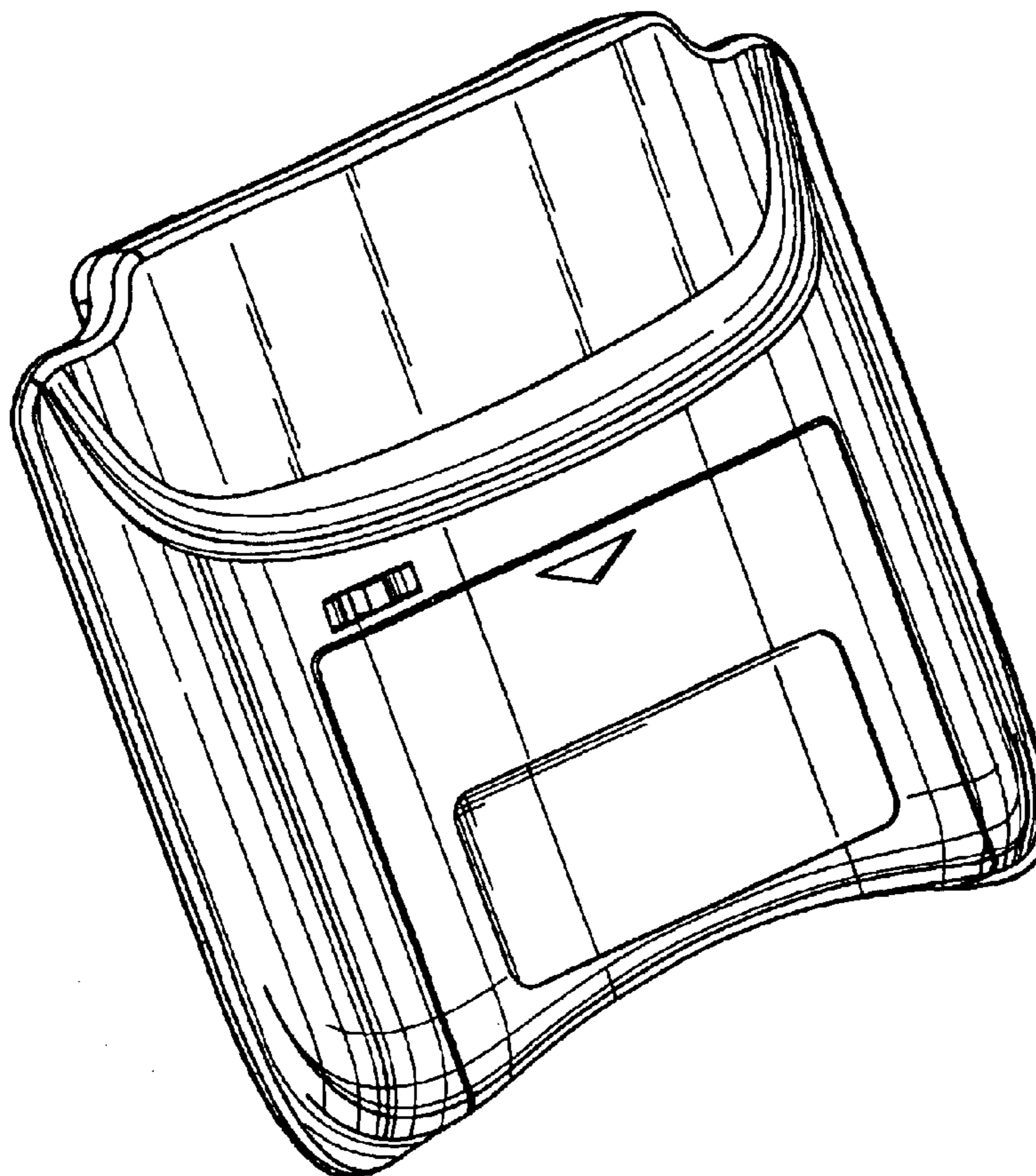
(57) **CLAIM**

The ornamental design for a rechargeable battery pack for handheld electronic game, as shown and described.

DESCRIPTION

FIG. 1 is a front perspective view of a rechargeable battery pack for handheld electronic game showing my new design; FIG. 2 is a rear perspective view thereof; FIG. 3 is a front elevational view thereof; FIG. 4 is a left side elevational view thereof; FIG. 5 is a top plan view thereof; FIG. 6 is a rear elevational view thereof; FIG. 7 is a right side elevational view thereof; and, FIG. 8 is a bottom plan view thereof.

1 Claim, 3 Drawing Sheets



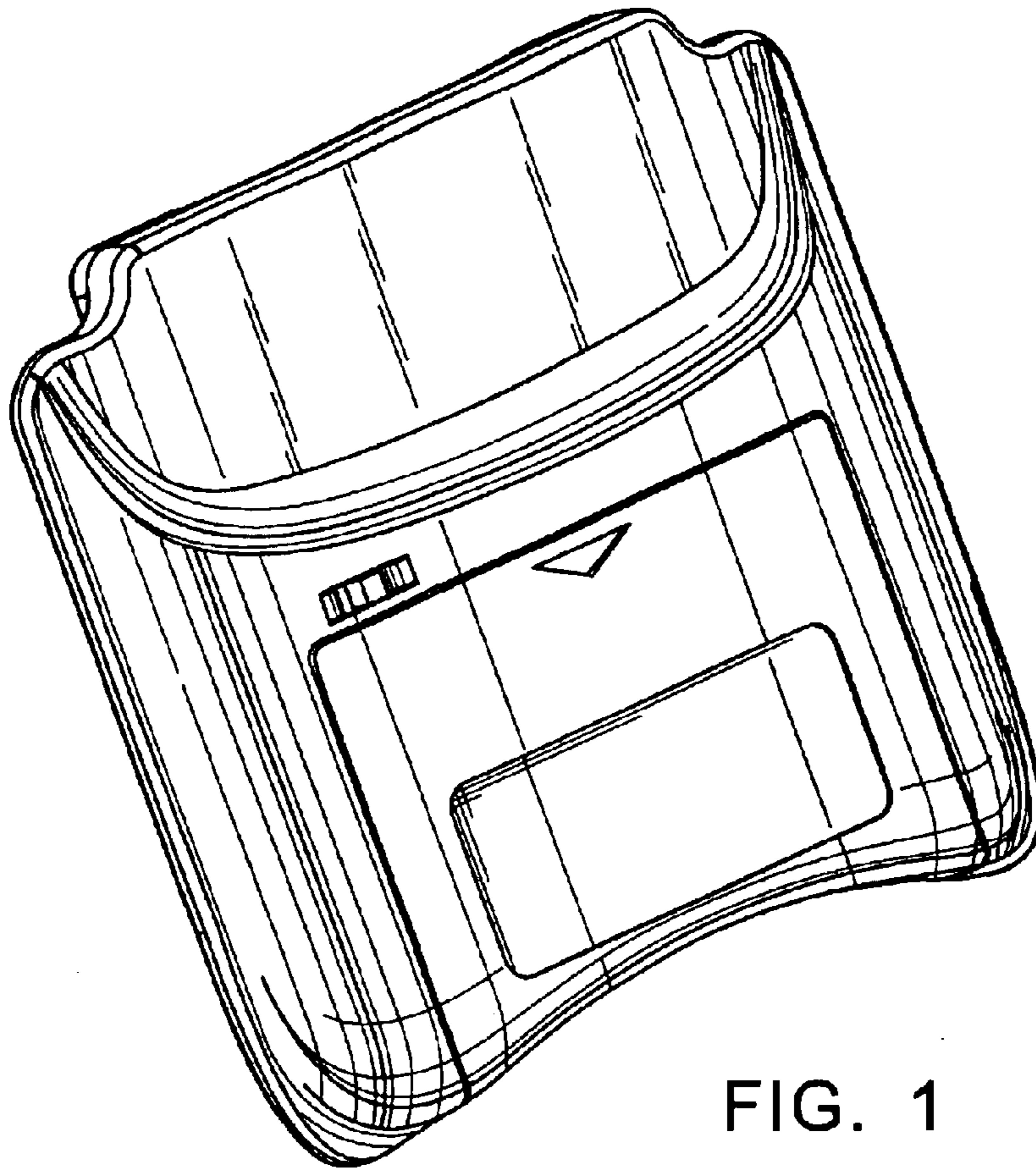


FIG. 1

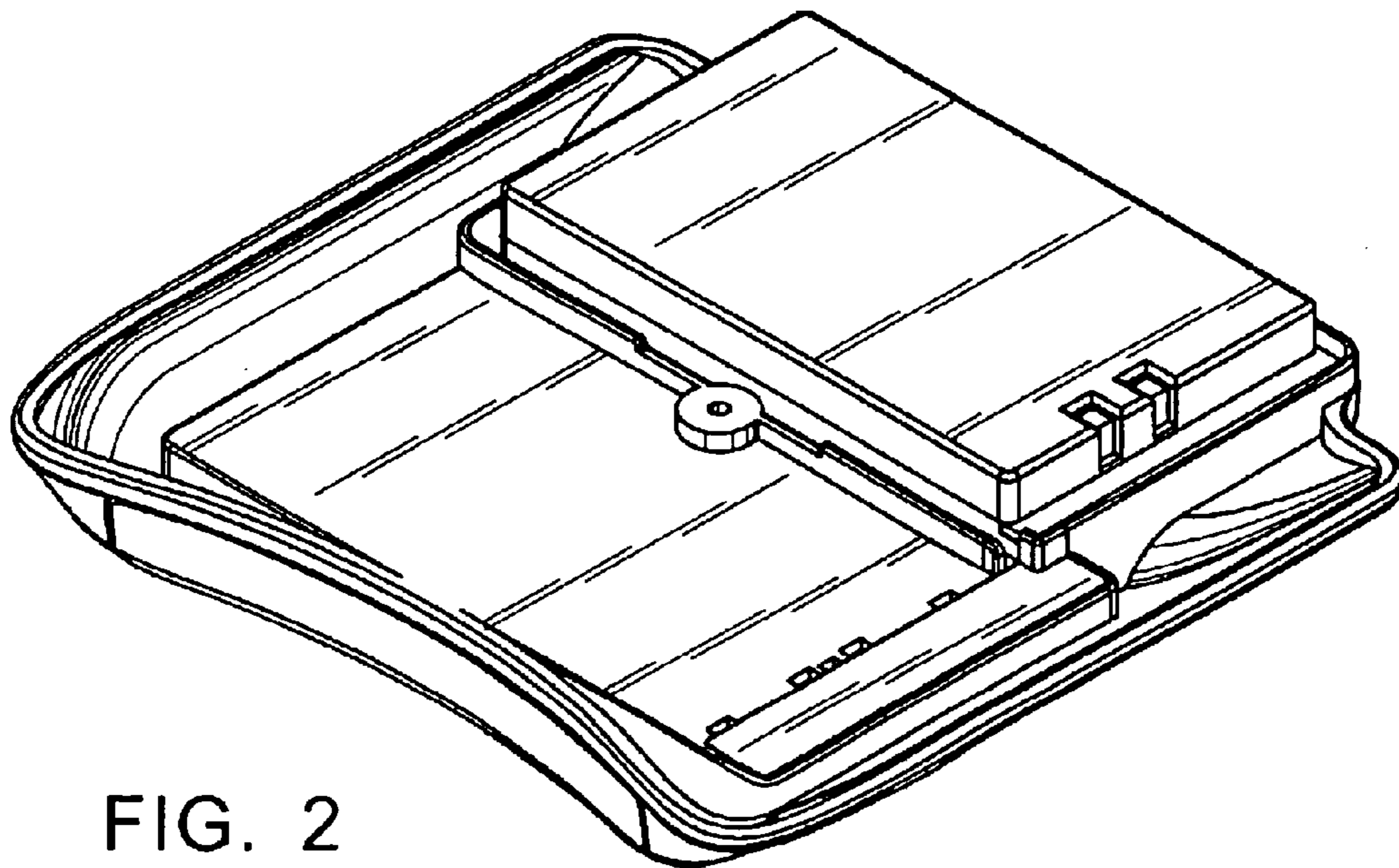


FIG. 2

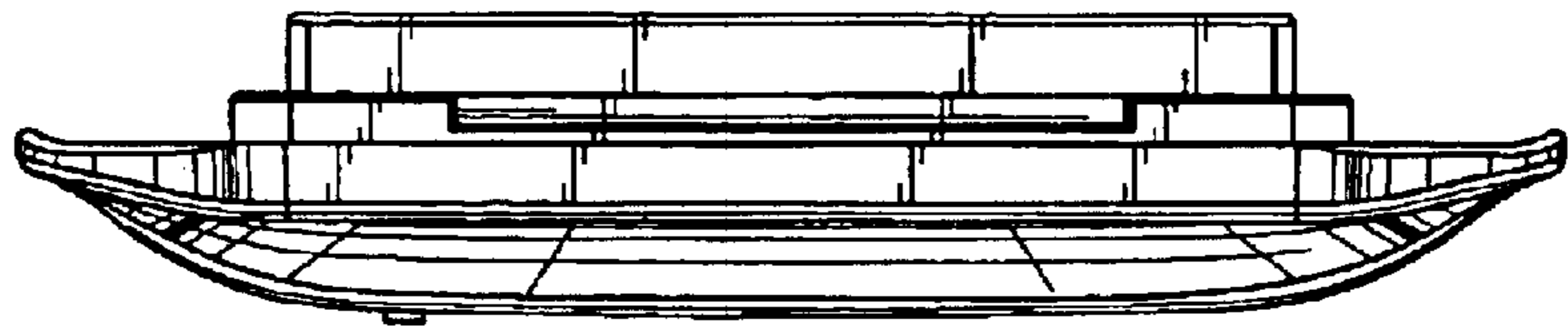


FIG. 5

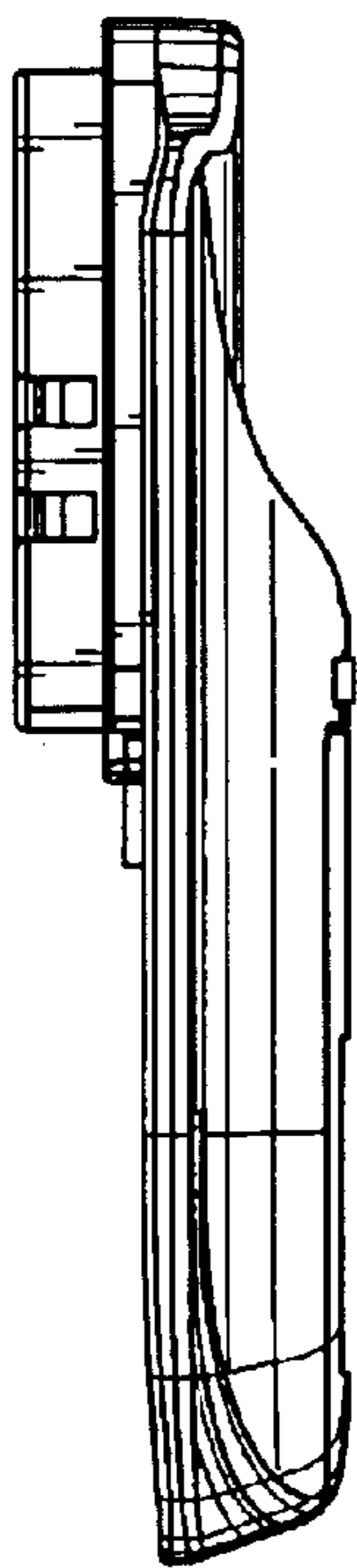


FIG. 4

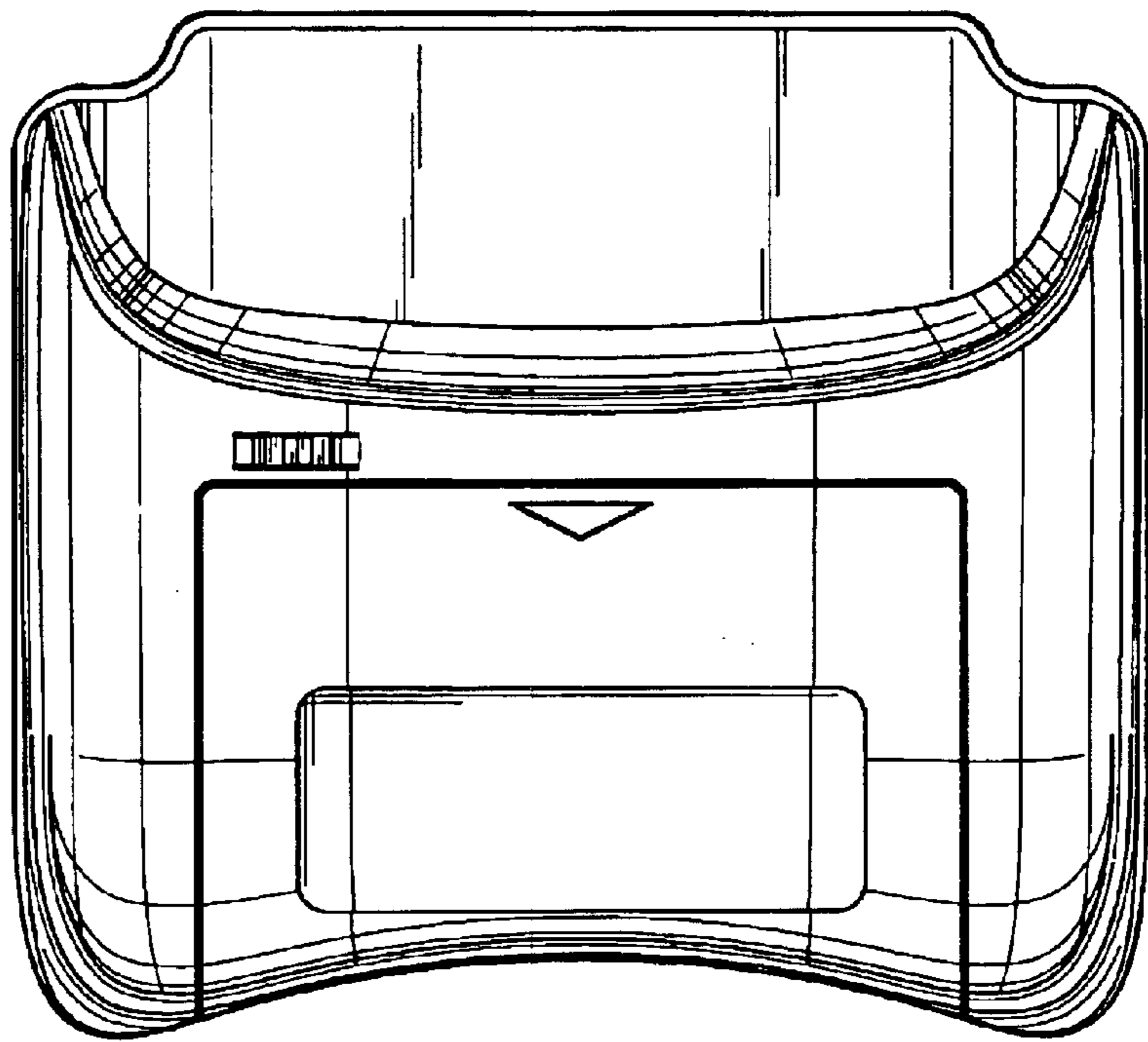


FIG. 3

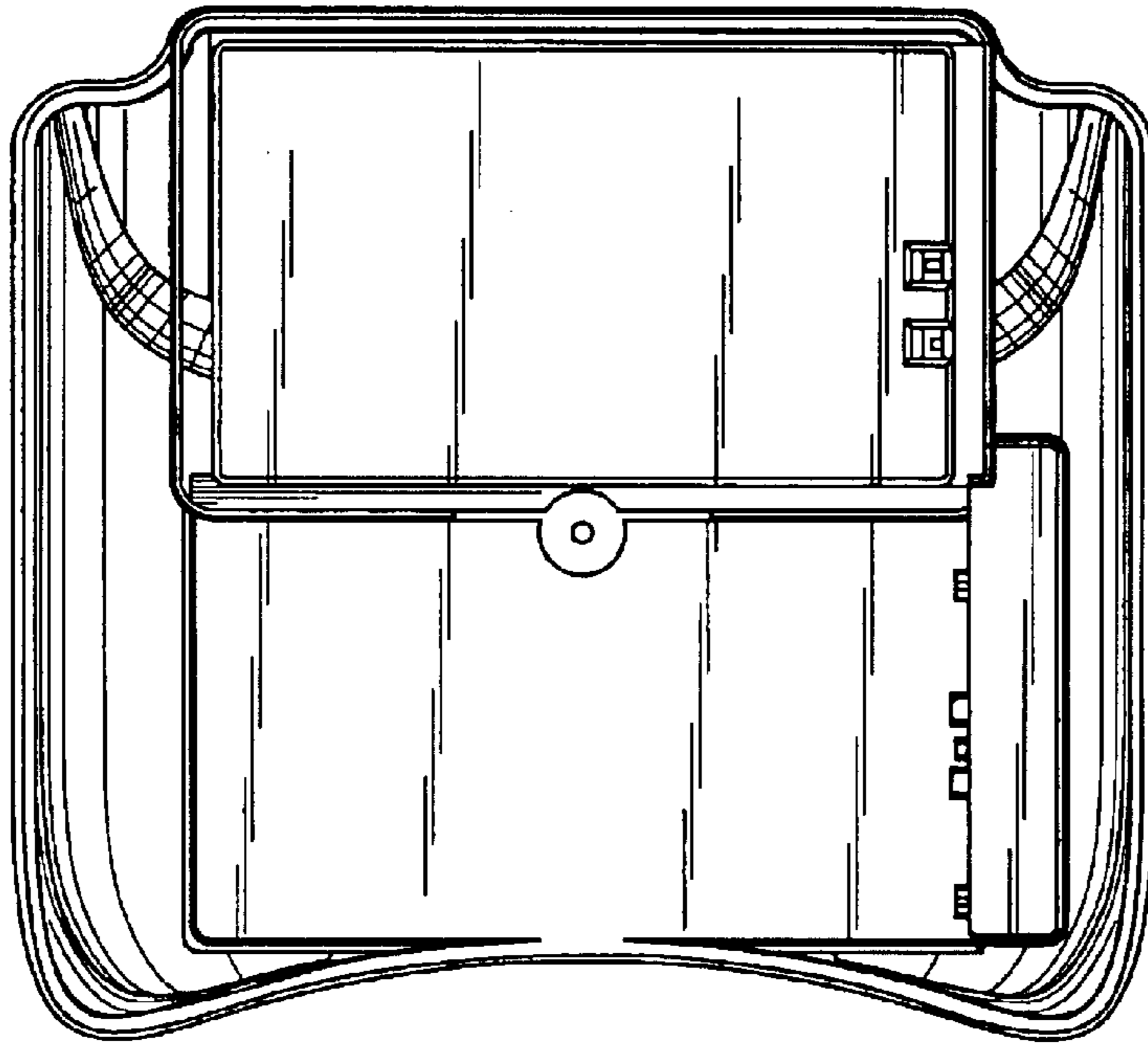


FIG. 6

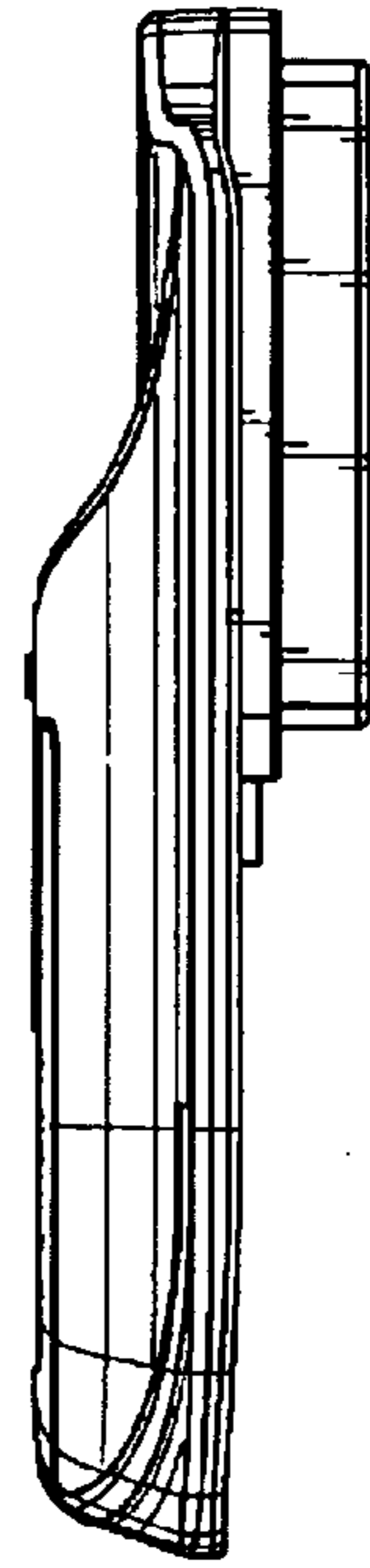


FIG. 7

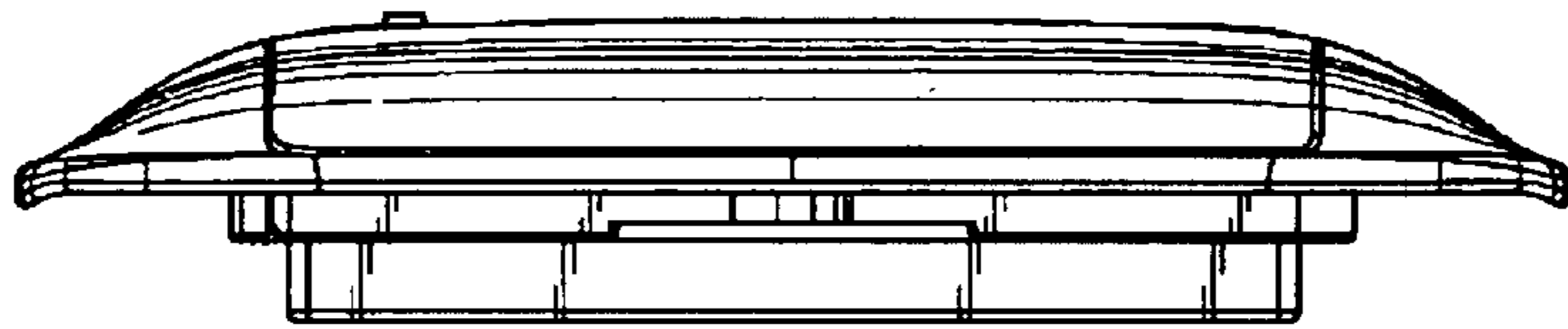


FIG. 8