

US00D495983S1

(12) **United States Design Patent** (10) **Patent No.:** **US D495,983 S**
Pfeiffer et al. (45) **Date of Patent:** **** Sep. 14, 2004**

(54) **SURFACE CONFIGURATION OF A TRUNK LID FOR A VEHICLE**

D467,850 S * 12/2002 Warming D12/196
D470,804 S * 2/2003 Chan D12/169
D476,936 S * 7/2003 Boyer D12/196

(75) Inventors: **Peter Pfeiffer**, Boeblingen (DE); **Murat Guenak**, Ehningen (DE); **Hans-Dieter Futschik**, Gechingen (DE)

* cited by examiner

Primary Examiner—Melody N. Brown

(73) Assignee: **DaimlerChrysler AG**, Stuttgart (DE)

(74) *Attorney, Agent, or Firm*—Crowell & Moring LLP

(**) Term: **14 Years**

(57) **CLAIM**

(21) Appl. No.: **29/177,653**

The ornamental design for a surface configuration of a trunk lid for a vehicle, as shown and described.

(22) Filed: **Mar. 14, 2003**

DESCRIPTION

(51) **LOC (7) Cl.** **12-16**

This application is related to the following co-pending applications, of the inventors: Application Ser. No. 29/177,658, entitled "Surface Configuration of a Vehicle, Toy and/or Other Replicas".

(52) **U.S. Cl.** **D12/196**

(58) **Field of Search** D12/90-92, 86, D12/196; 180/69.1, 69.2; 296/185

FIG. 1 is a perspective view of a surface configuration of a trunk lid for a vehicle according to our novel design; FIG. 2 is a front view of the surface configuration of a trunk lid for a vehicle according to our novel design; and, FIG. 3 is a top view of the surface configuration of a trunk lid for a vehicle according to our novel design.

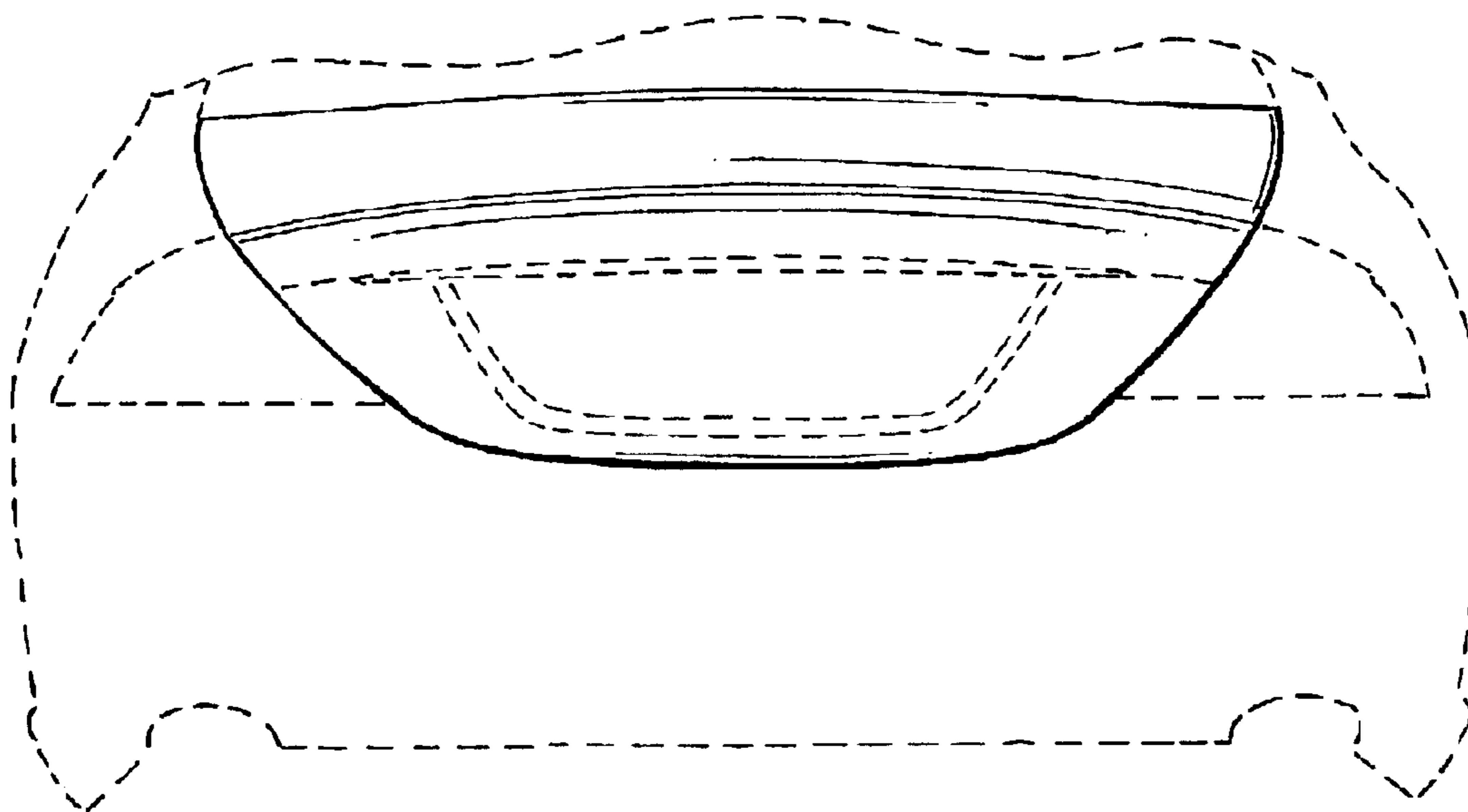
(56) **References Cited**

The broken lines are shown for illustrative purposes only and form no part of the claimed design.

U.S. PATENT DOCUMENTS

D417,645 S * 12/1999 Horbury et al. D12/196
D419,510 S * 1/2000 Sacco et al. D12/196
D428,376 S * 7/2000 Sacco et al. D12/196
D440,532 S * 4/2001 Sacco et al. D12/196
D452,468 S * 12/2001 Sacco et al. D12/196
D459,283 S * 6/2002 Sinkwitz D12/196

1 Claim, 2 Drawing Sheets



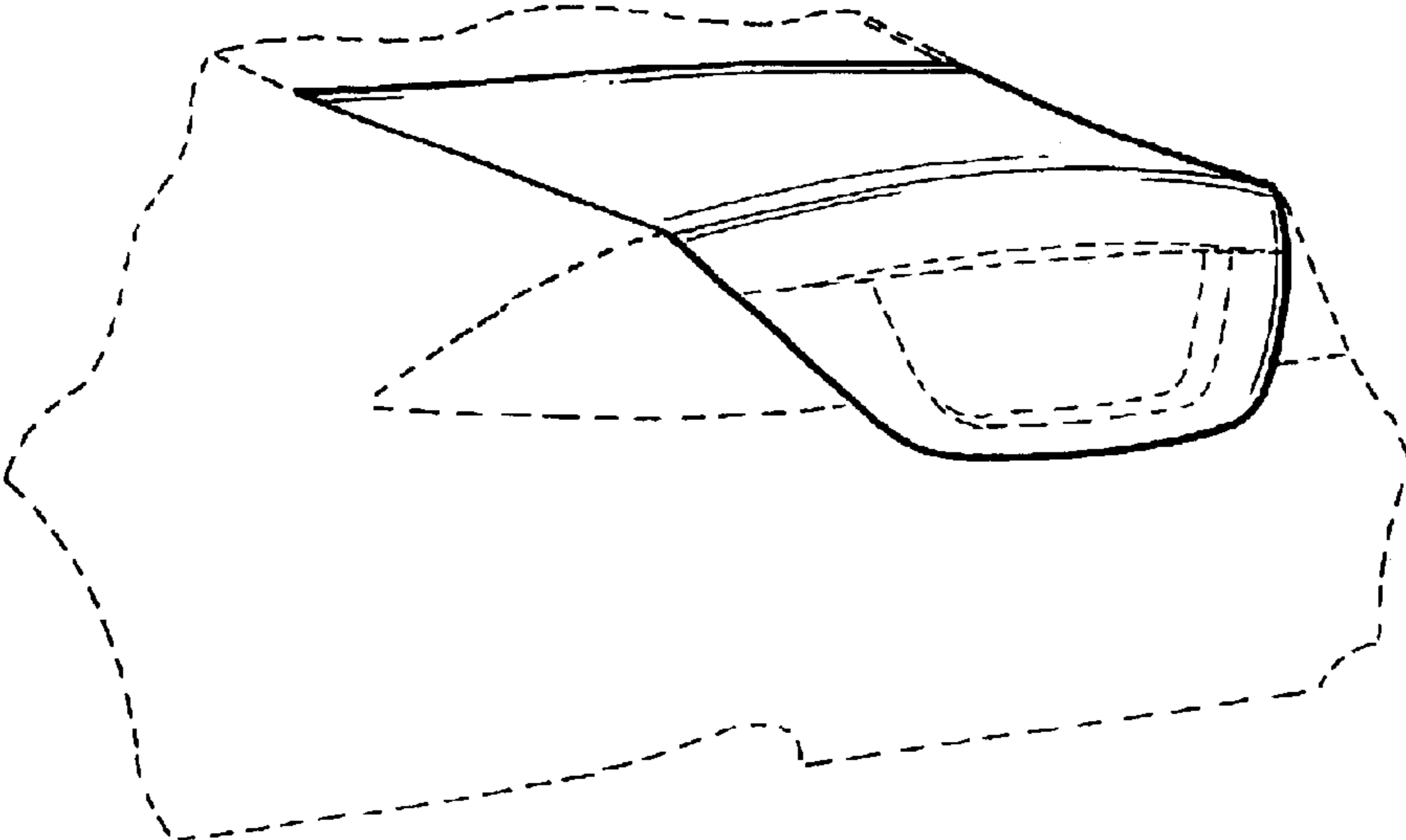


FIG. 1

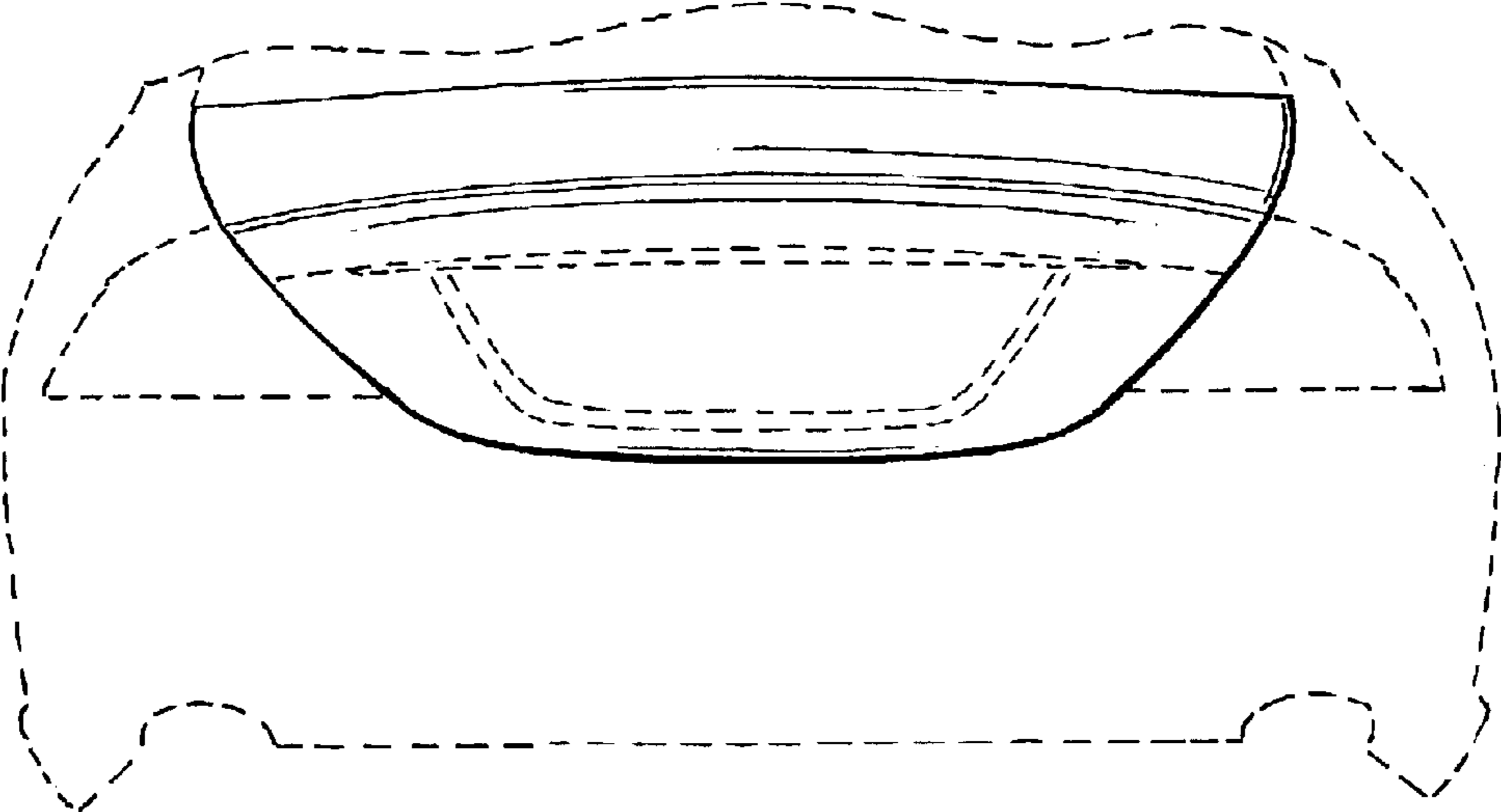


FIG. 2

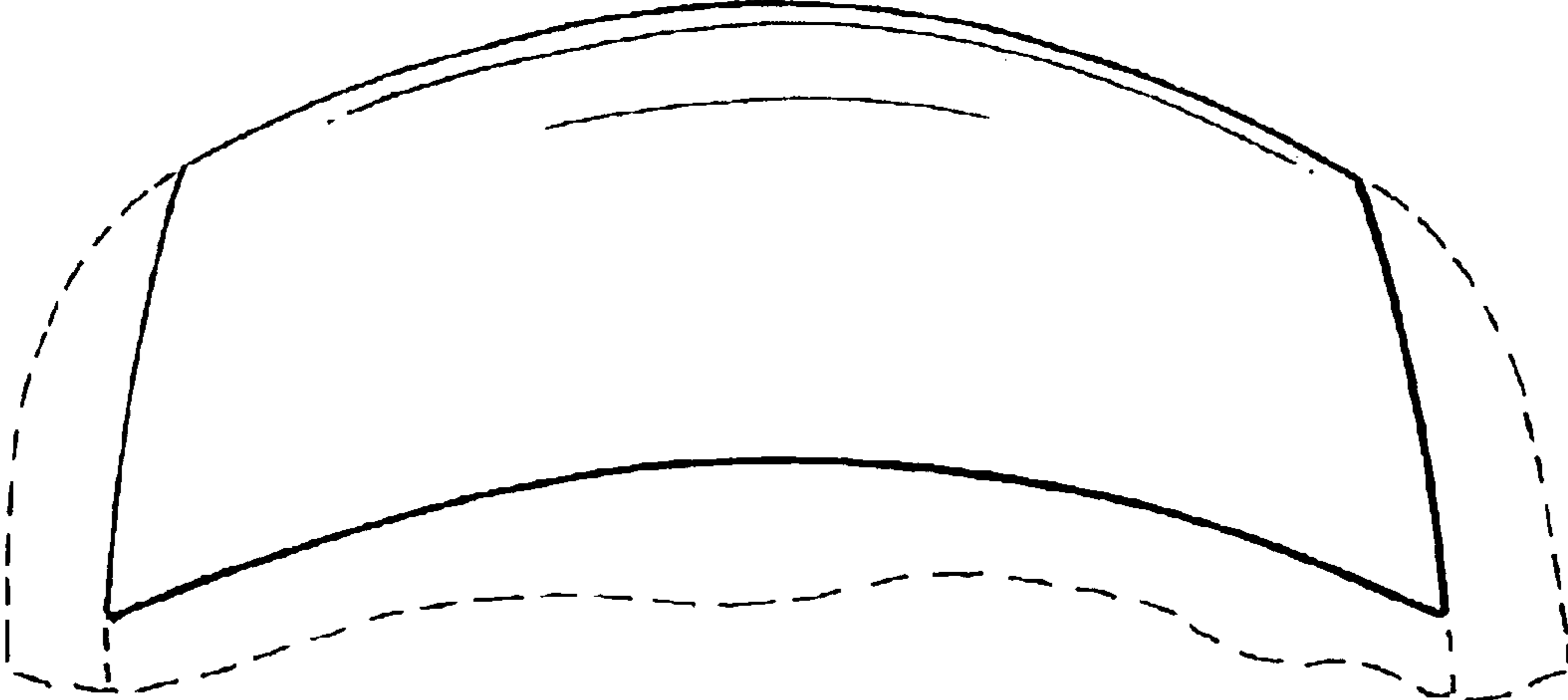


FIG. 3