

US00D495978S1

(12) **United States Design Patent**  
**Carpenter**

(10) **Patent No.:** **US D495,978 S**

(45) **Date of Patent:** **\*\* Sep. 14, 2004**

(54) **BABY STROLLER**

D486,429 S \* 2/2004 Daykin ..... D12/129

(76) Inventor: **Michelle D. Carpenter**, 390 Nostrand Ave., Apartment #6y, Brooklyn, NY (US) 11216

\* cited by examiner

*Primary Examiner*—Marcus A. Jackson

(\*\*) Term: **14 Years**

(57) **CLAIM**

The ornamental design for a baby stroller, as shown and described.

(21) Appl. No.: **29/195,511**

(22) Filed: **Dec. 15, 2003**

**DESCRIPTION**

(51) **LOC (7) Cl.** ..... **12-99**

FIG. 1 is a front perspective view of a baby stroller showing my new design;

(52) **U.S. Cl.** ..... **D12/129**

FIG. 2 is a rear elevated view of the baby stroller;

(58) **Field of Search** ..... D12/128-133;

FIG. 3 is a side elevated view of the baby stroller;

280/42, 642, 643, 644, 647, 648, 650, 658

FIG. 4 is a bottom plan view of the baby stroller;

(56) **References Cited**

FIG. 5 is a top plan view of the baby stroller; and,

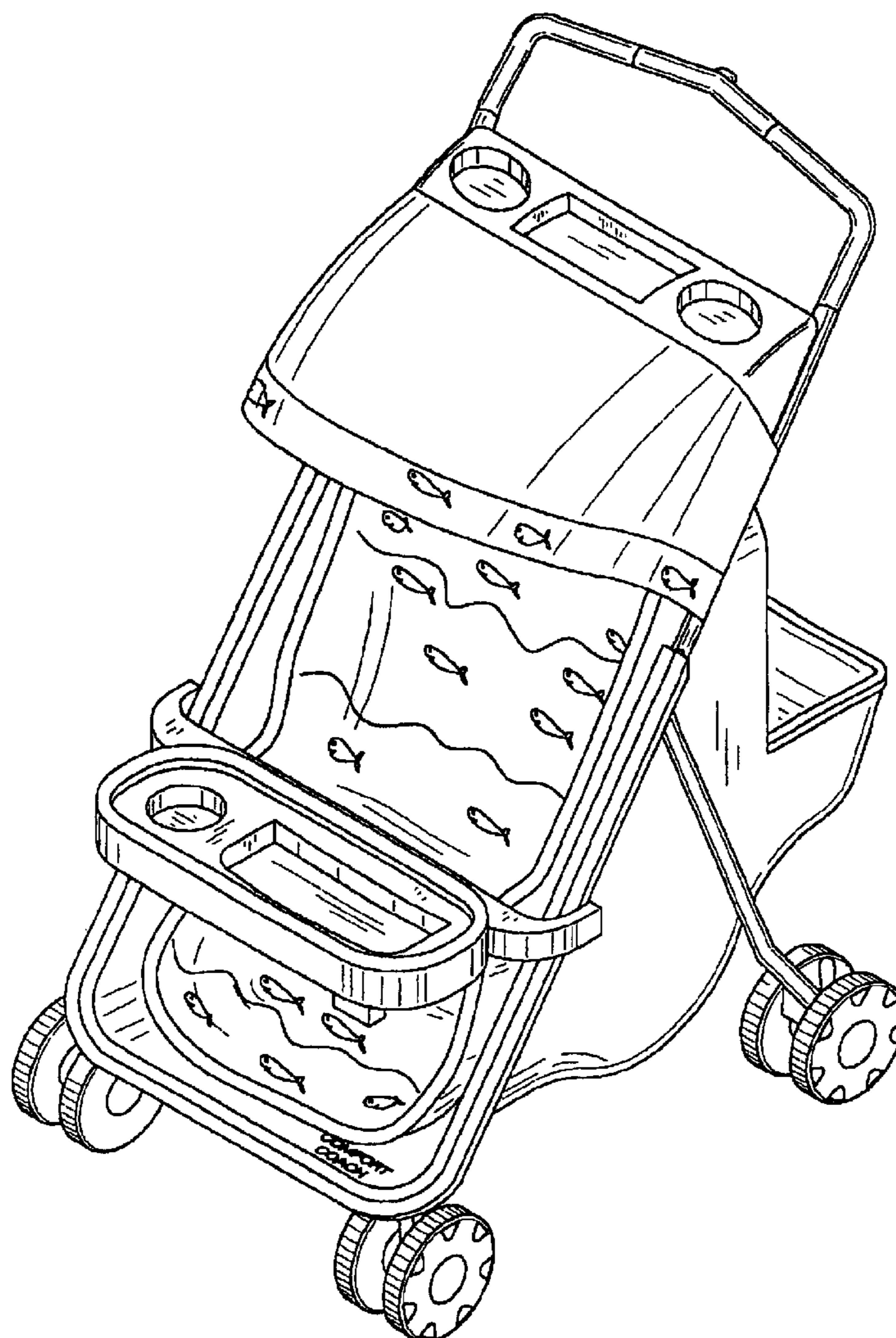
FIG. 6 is a perspective view of the baby stroller.

**U.S. PATENT DOCUMENTS**

D463,330 S \* 9/2002 Yang et al. .... D12/129

D484,441 S \* 12/2003 Hsia ..... D12/129

**1 Claim, 3 Drawing Sheets**



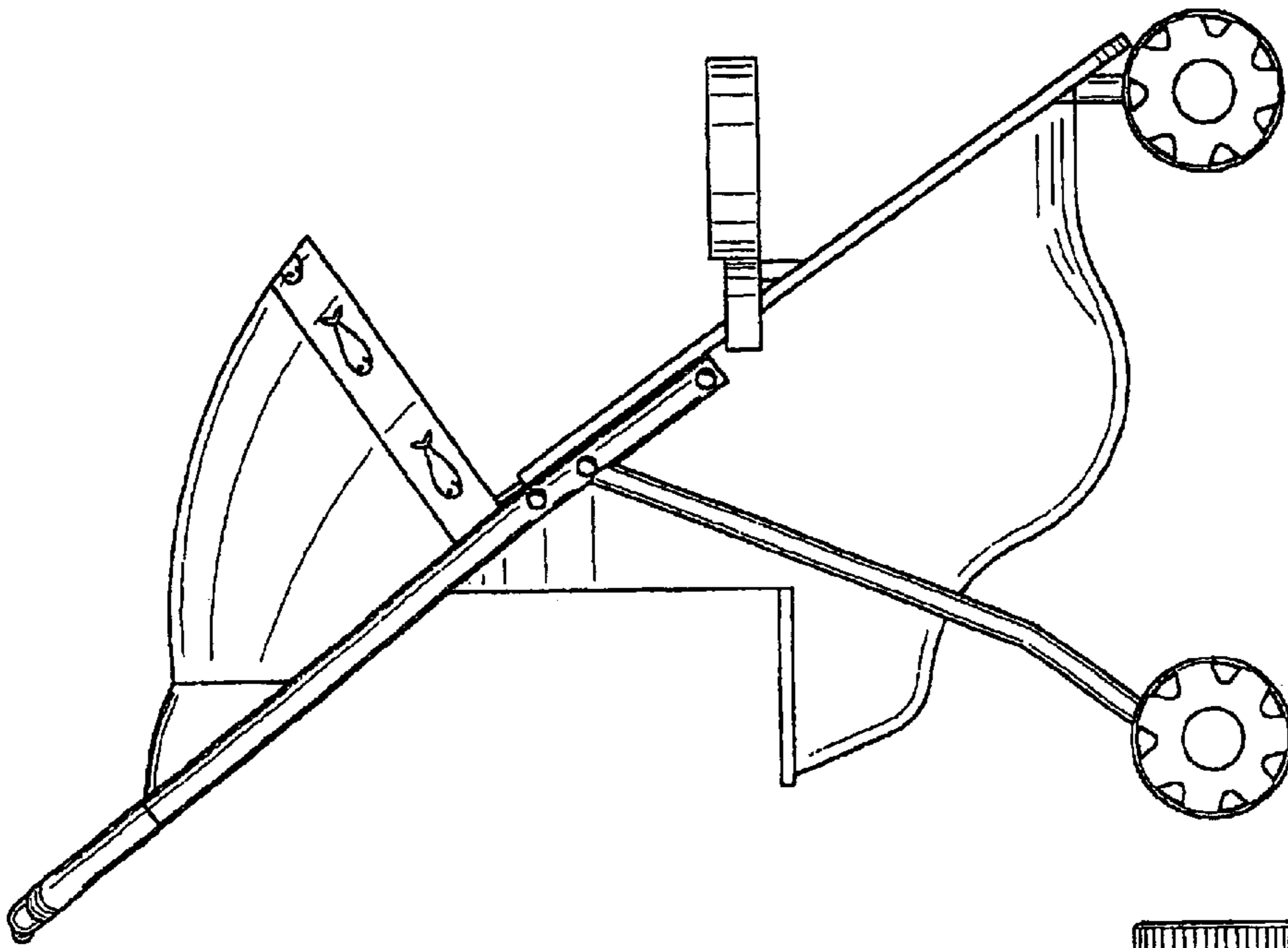


FIG. 3

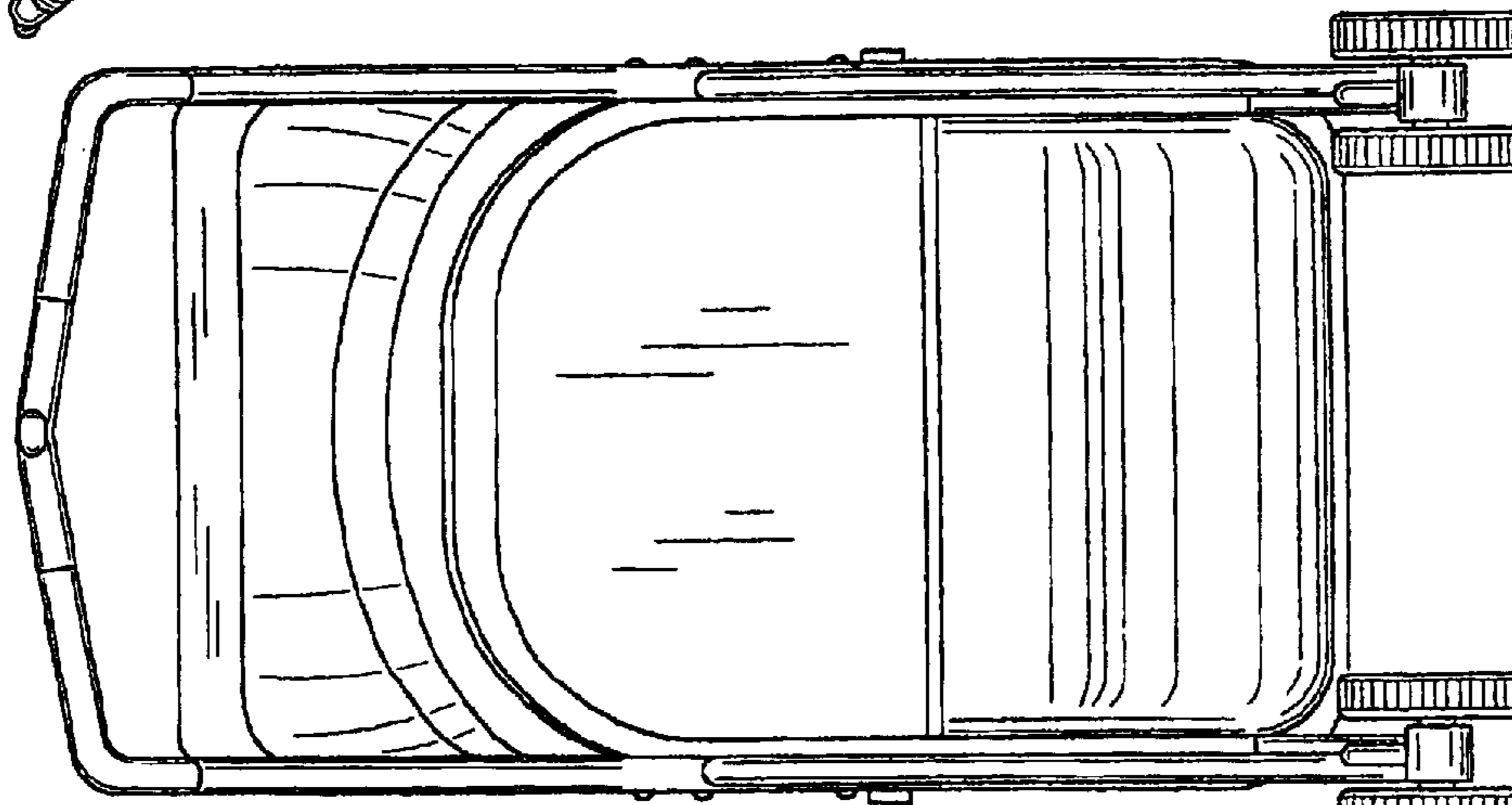


FIG. 2

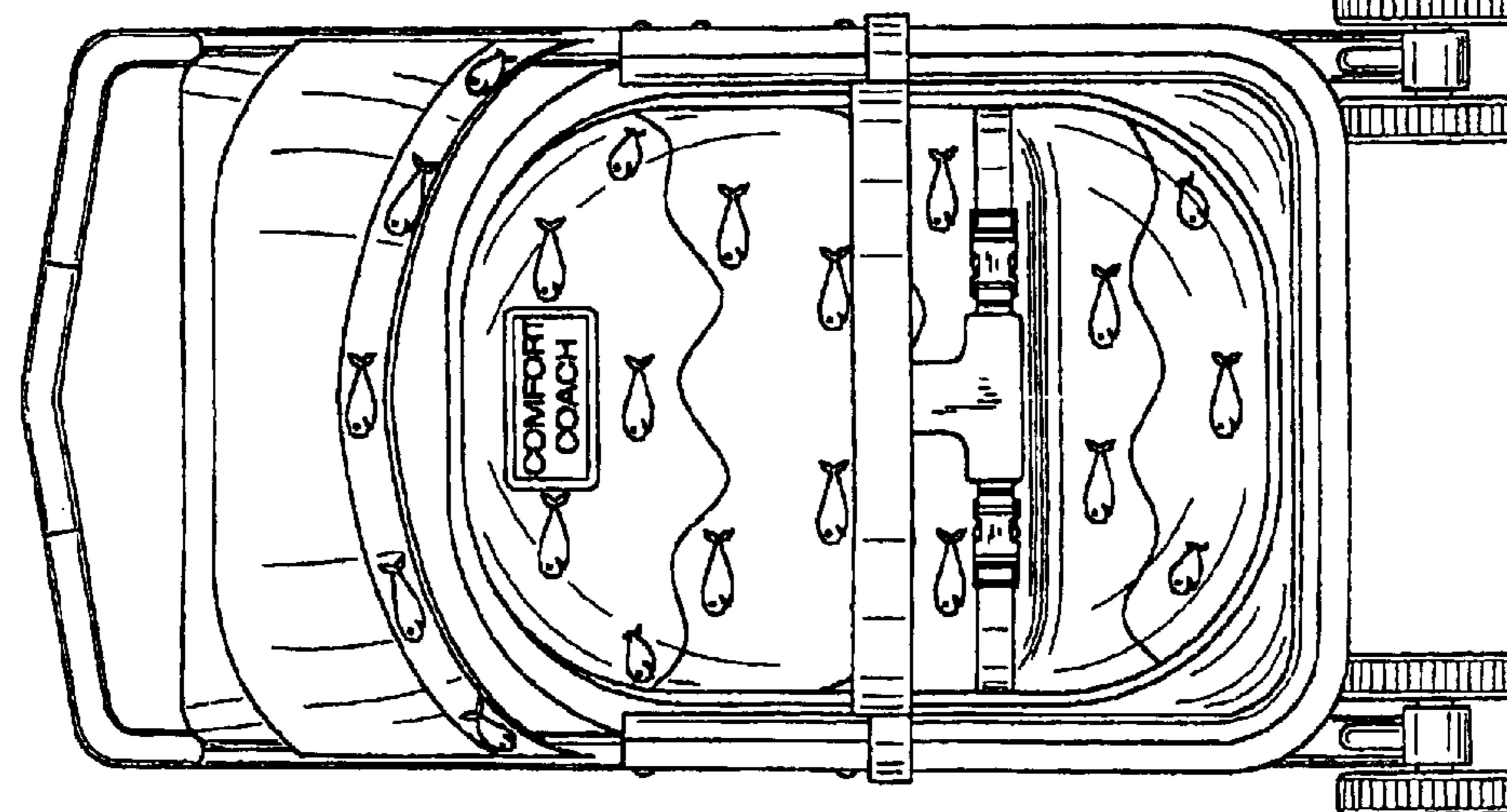


FIG. 1

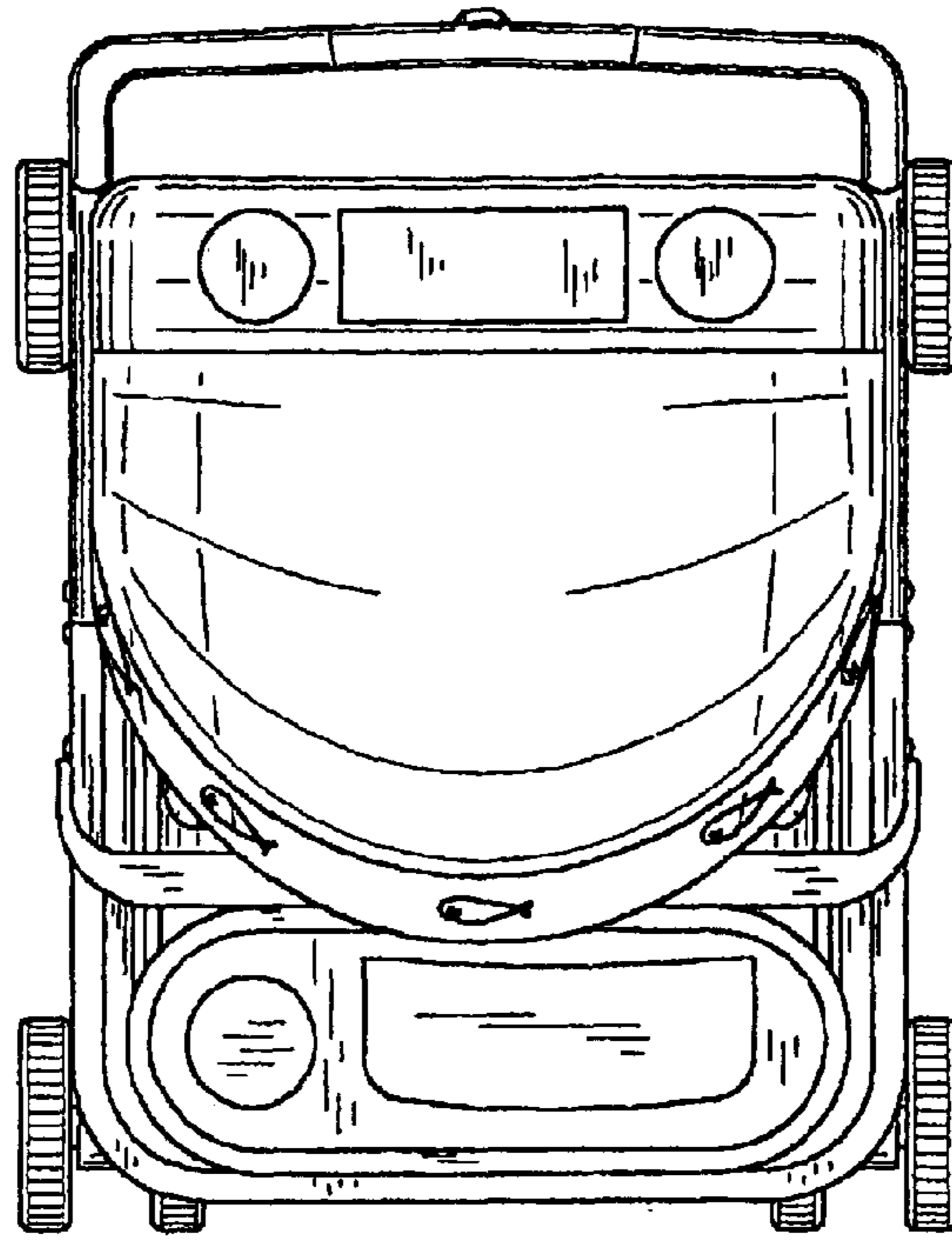


FIG. 4

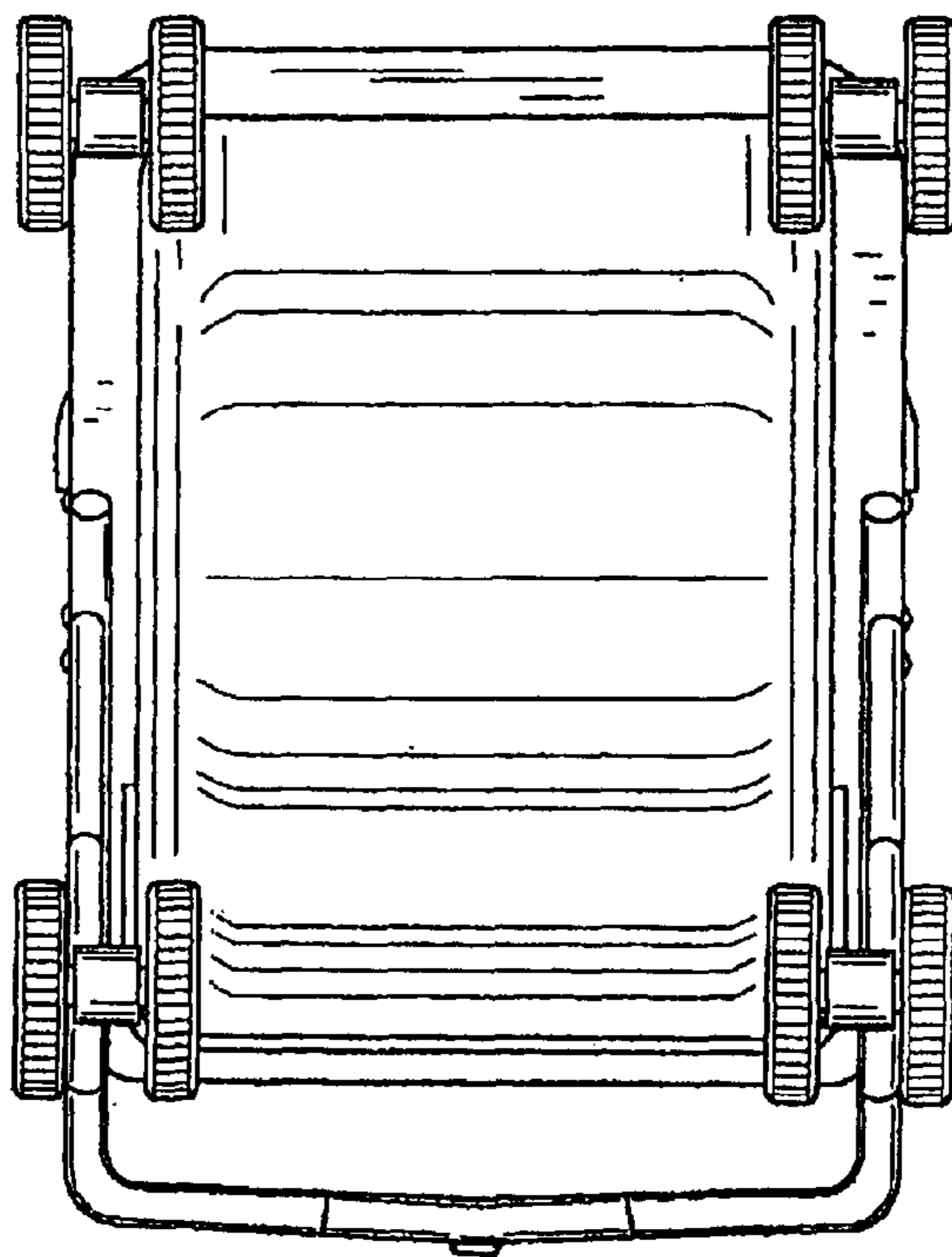


FIG. 5



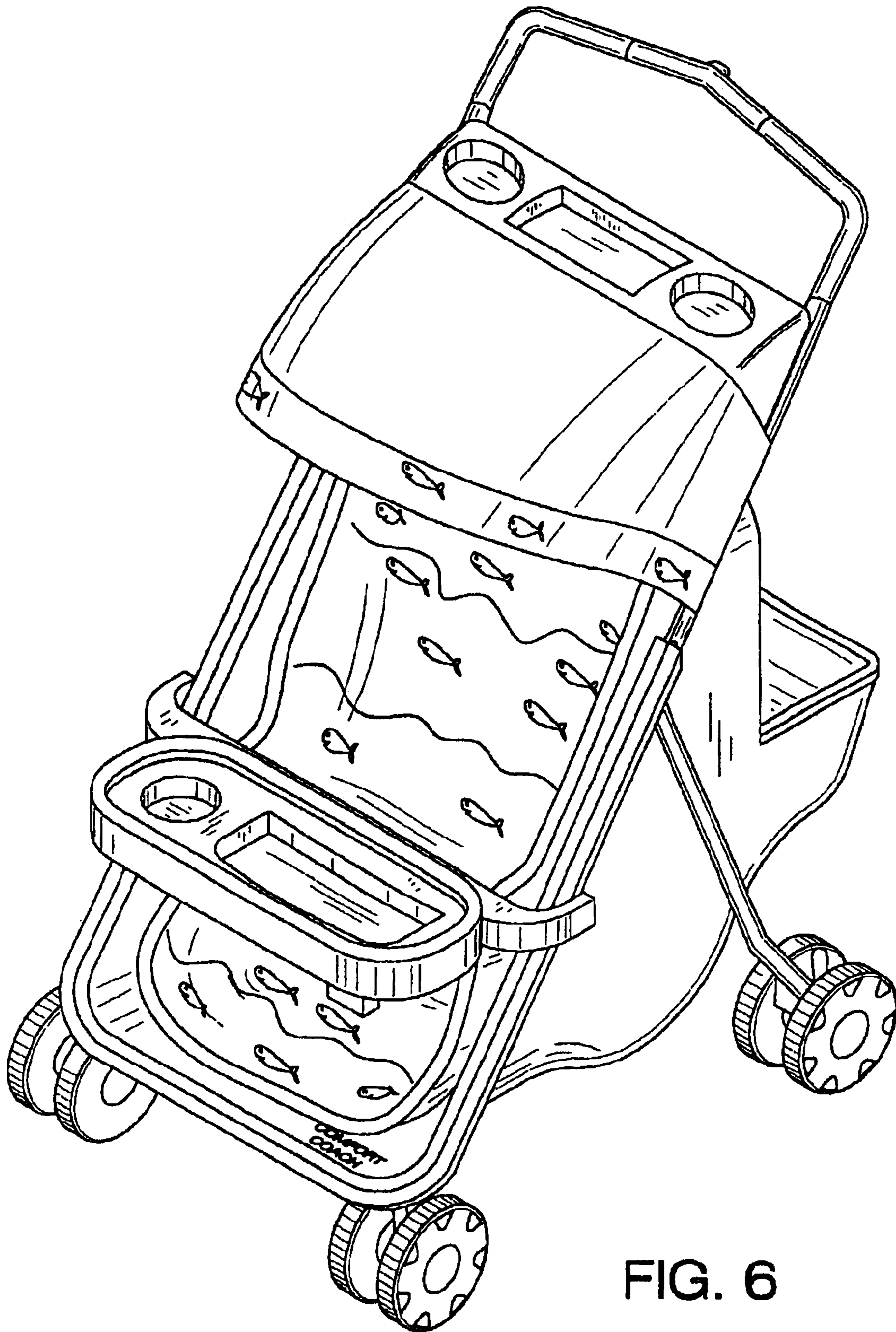


FIG. 6