

US00D495976S1

(12) **United States Design Patent**
Sugimoto

(10) **Patent No.:** **US D495,976 S**

(45) **Date of Patent:** **** Sep. 14, 2004**

(54) **PASSENGER CAR**

(75) **Inventor:** **Kiyoshi Sugimoto, Tokyo (JP)**

(73) **Assignee:** **Fuji Jukogyo Kabushiki Kaisha,
Tokyo (JP)**

(**) **Term:** **14 Years**

(21) **Appl. No.:** **29/192,293**

(22) **Filed:** **Oct. 23, 2003**

(30) **Foreign Application Priority Data**

Jun. 20, 2003 (JP) 2003-017578

(51) **LOC (7) Cl.** **12-08**

(52) **U.S. Cl.** **D12/92**

(58) **Field of Search** D12/90-92, 86,
D12/88; D21/424, 433; 296/185

(56) **References Cited**

U.S. PATENT DOCUMENTS

D412,299 S * 7/1999 Shikado D12/92
D455,984 S * 4/2002 Boulay et al. D12/92
D467,524 S * 12/2002 Desmond D12/92

D469,387 S * 1/2003 Ramaciotti D12/92
D470,435 S * 2/2003 Donckerwolke D12/92
D478,843 S * 8/2003 Pardo D12/92
D484,440 S * 12/2003 Okonkwo D12/92
D485,211 S * 1/2004 Pfeiffer et al. D12/92

* cited by examiner

Primary Examiner—Melody N. Brown

(74) *Attorney, Agent, or Firm*—McGinn & Gibb, PLLC

(57) **CLAIM**

The ornamental design for a passenger car, as shown and described.

DESCRIPTION

FIG. 1 is a front perspective view of a passenger car showing our new design;

FIG. 2 is a back perspective view thereof;

FIG. 3 is a front view thereof;

FIG. 4 is a rear view thereof;

FIG. 5 is a left side view thereof;

FIG. 6 is a right side view thereof; and,

FIG. 7 is a top plan view thereof.

1 Claim, 4 Drawing Sheets

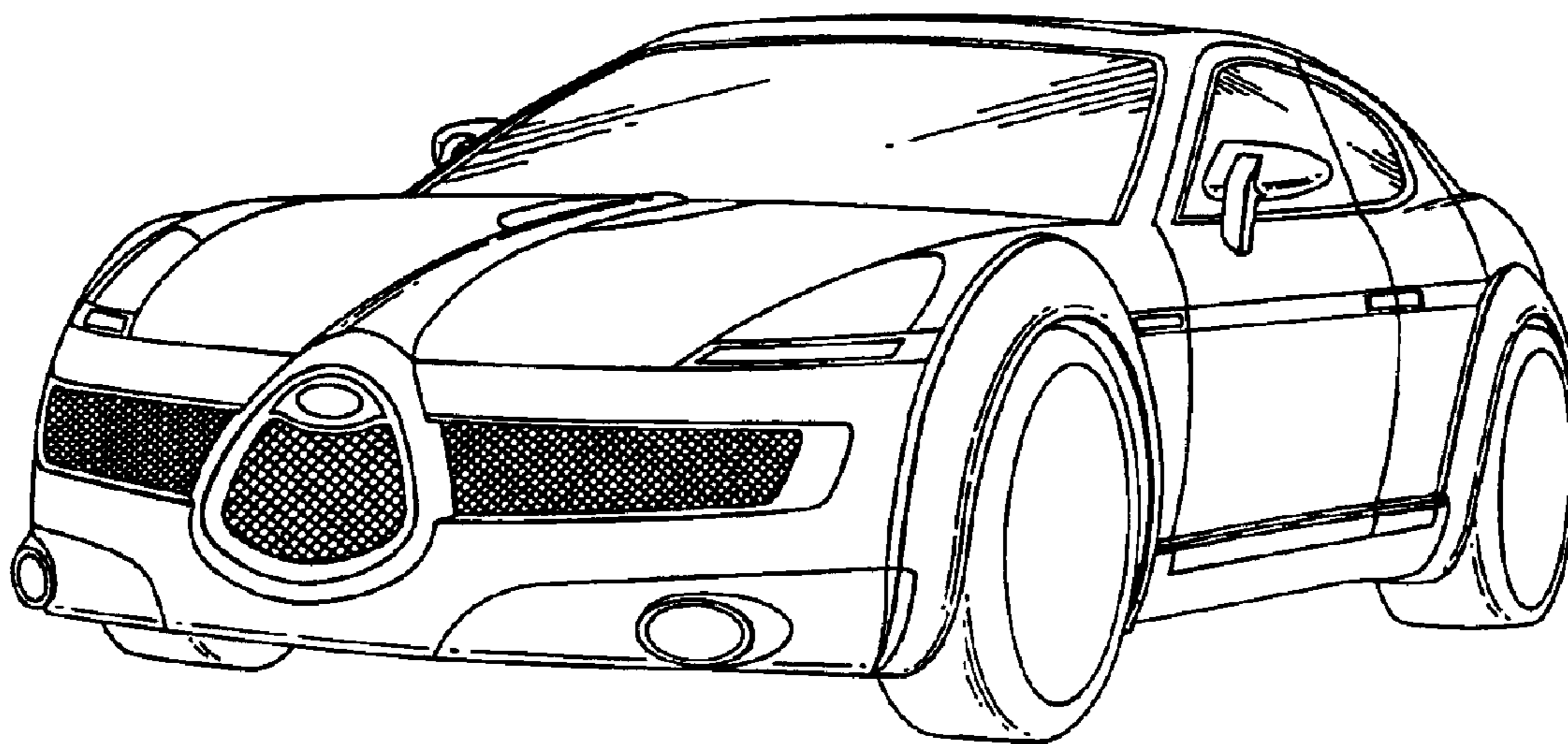


FIG. 1

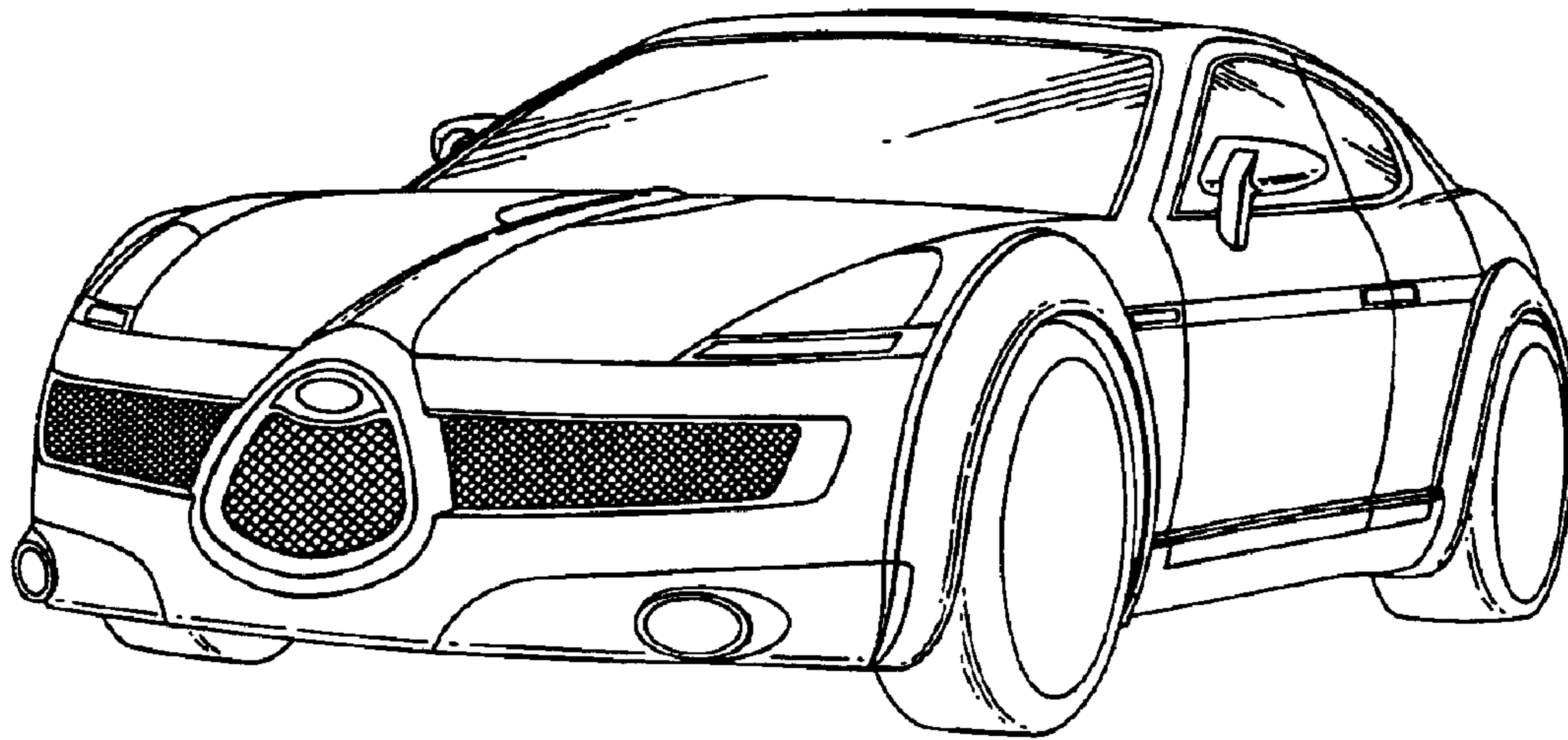


FIG. 2

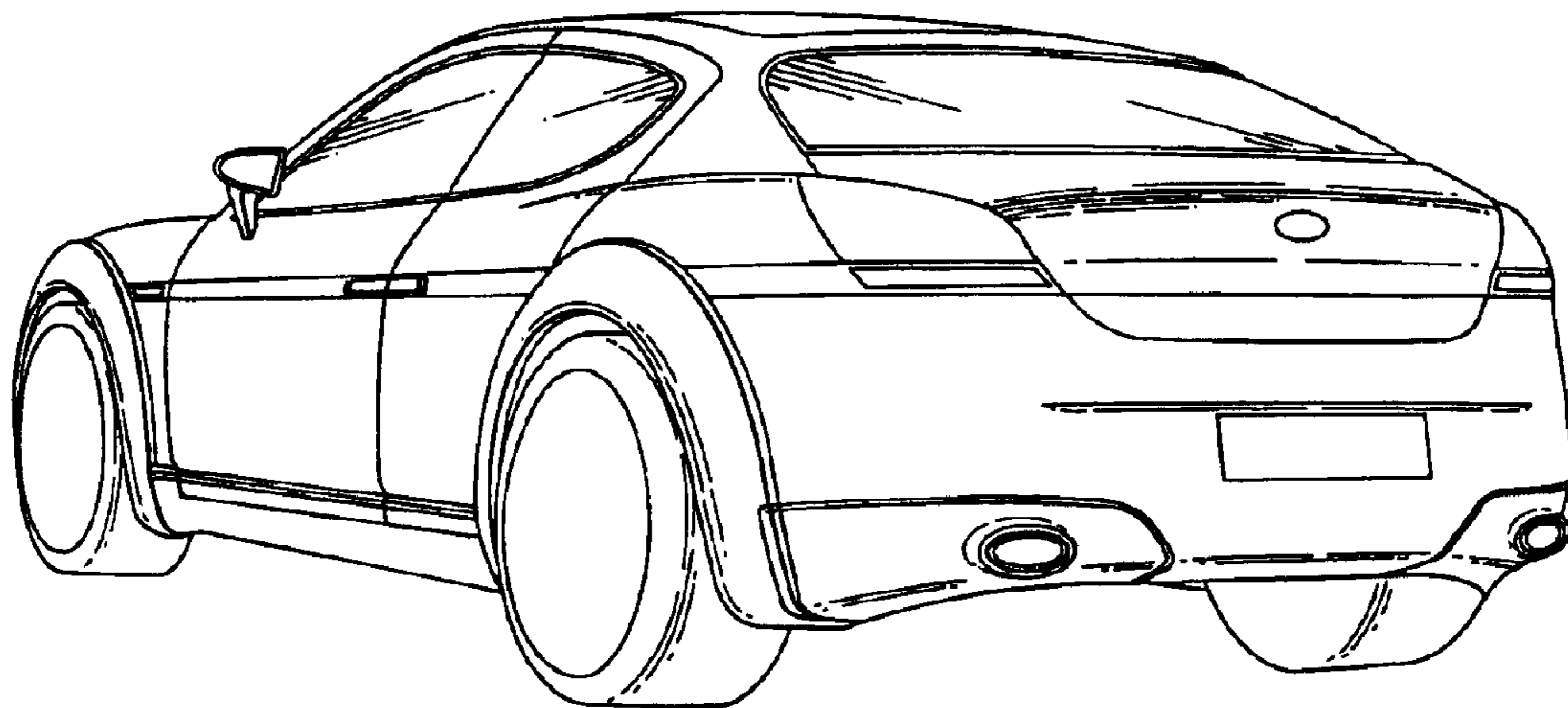


FIG. 3

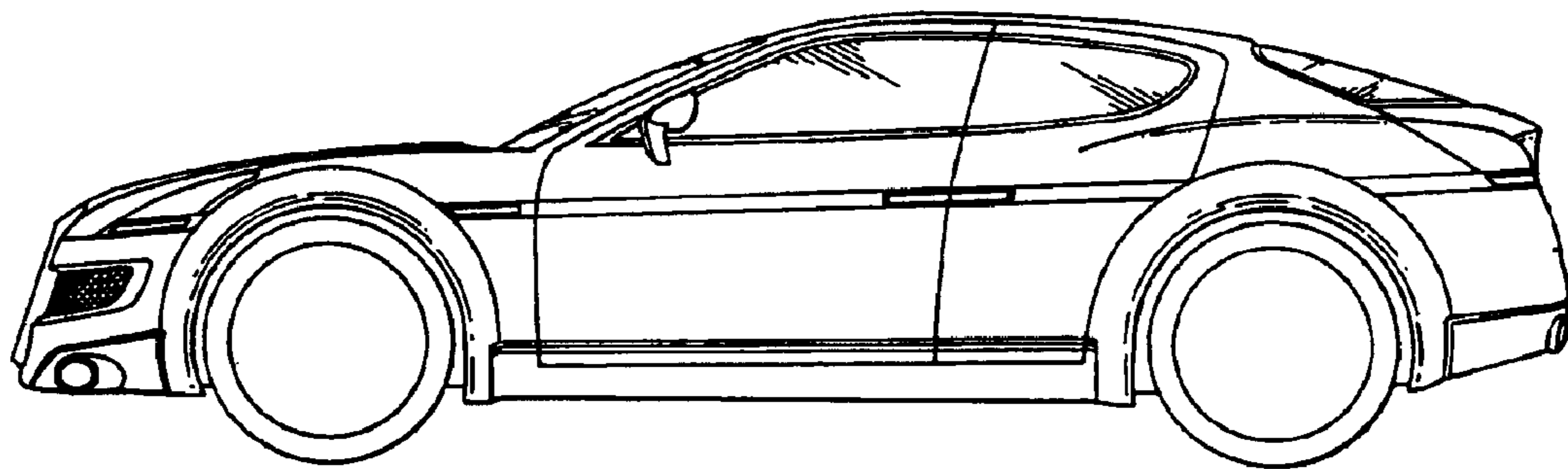


FIG. 4

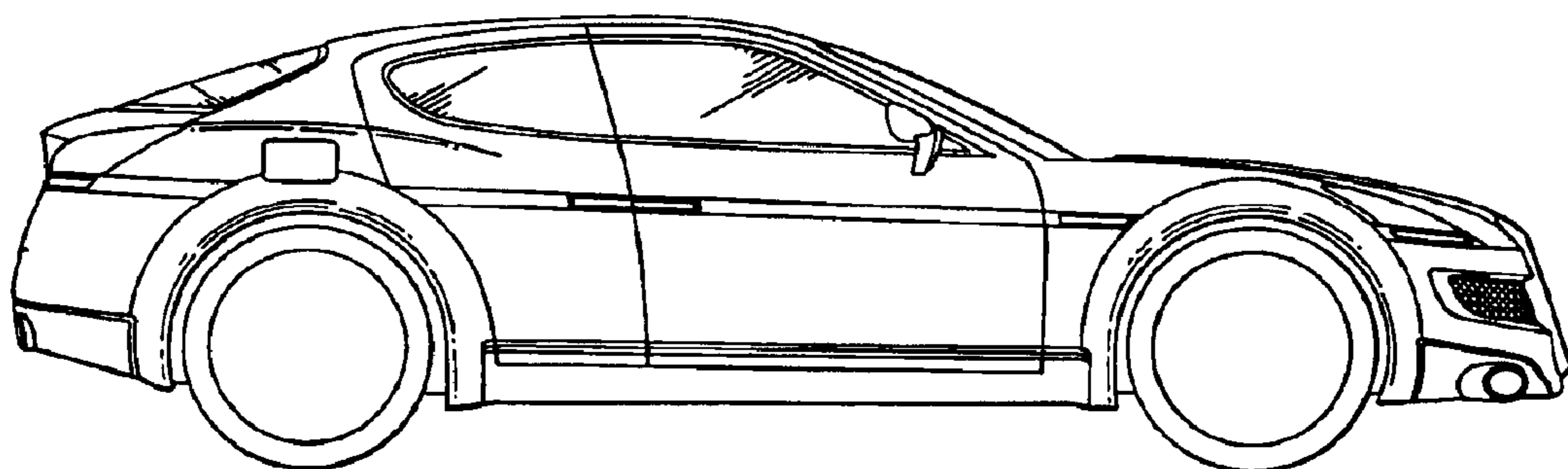


FIG. 5

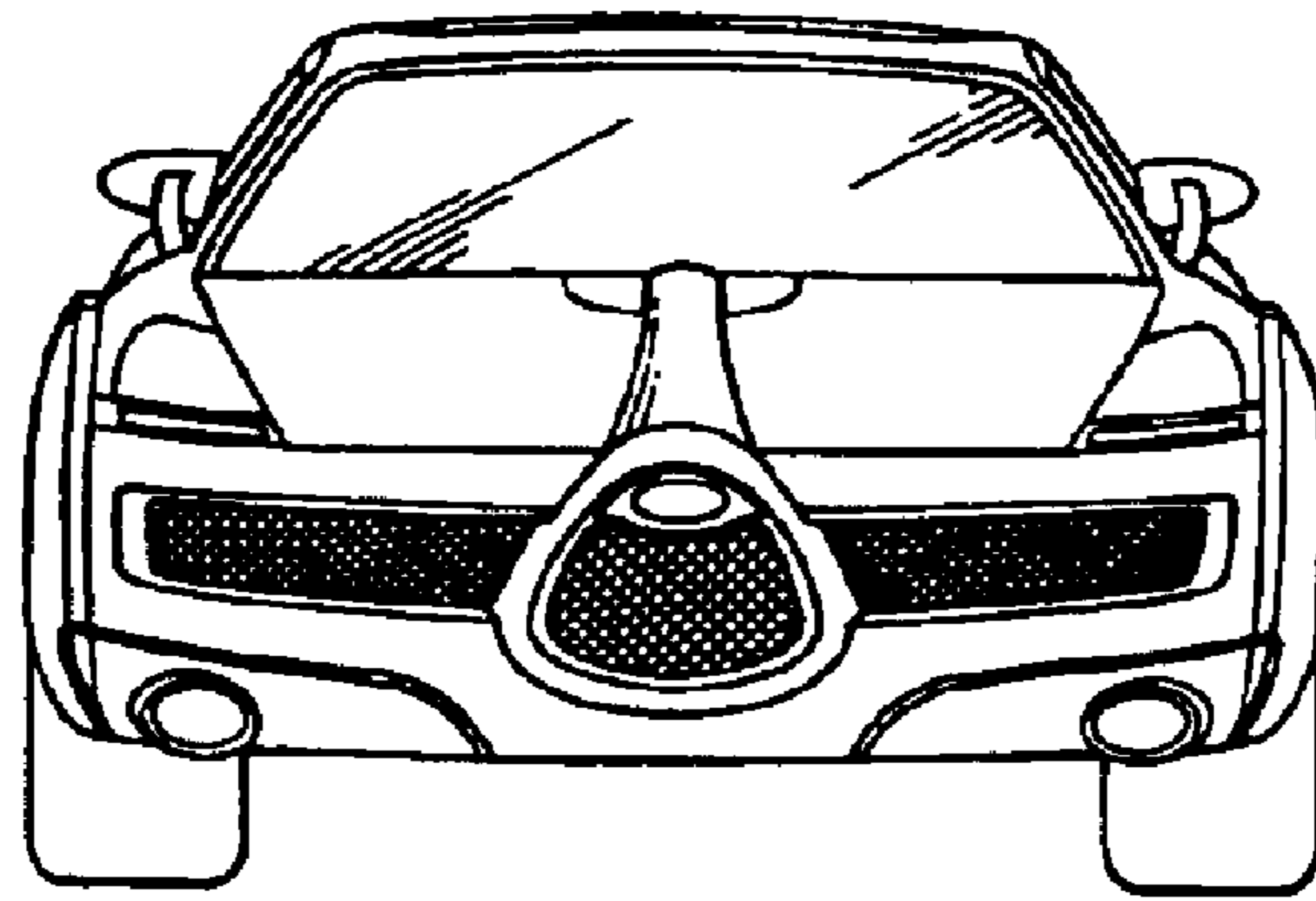


FIG. 6

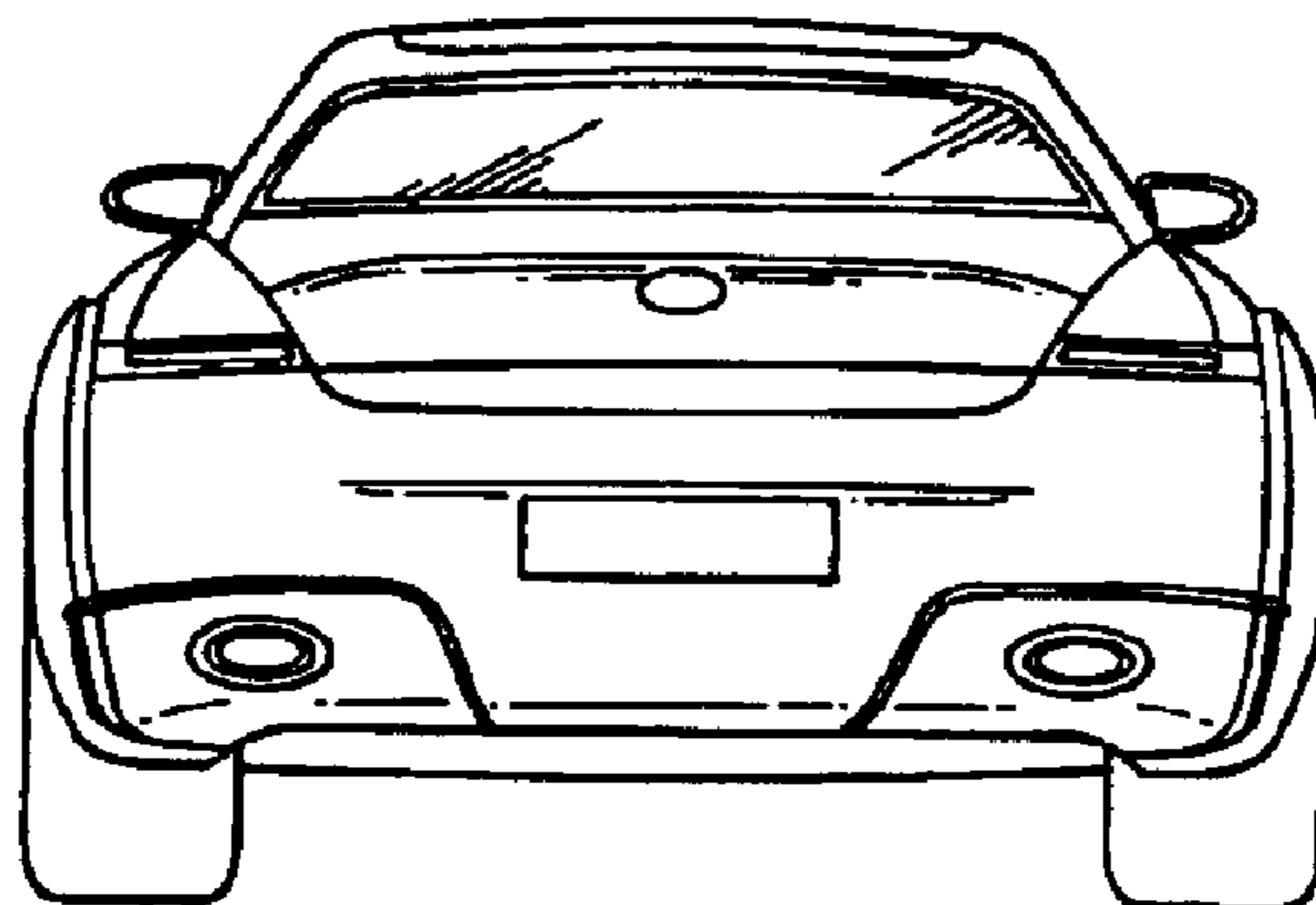


FIG. 7

