

US00D495962S1

(12) **United States Design Patent**
Oshita

(10) **Patent No.:** **US D495,962 S**

(45) **Date of Patent:** **** Sep. 14, 2004**

- (54) **WATCH CASE**
- (75) **Inventor:** **Shinichiro Oshita, Kokubunji (JP)**
- (73) **Assignee:** **Casio Keisanki Kabushiki Kaisha, Tokyo (JP)**
- (**) **Term:** **14 Years**
- (21) **Appl. No.:** **29/194,743**
- (22) **Filed:** **Nov. 24, 2003**
- (51) **LOC (7) Cl.** **10-02**
- (52) **U.S. Cl.** **D10/30**
- (58) **Field of Search** D10/1-40, 122-132;
368/280-282, 276-277, 28-30, 285, 239-242,
243-249, 82-84, 41-44

- D407,025 S * 3/1999 Hanagata D10/30
- D413,527 S * 9/1999 Hanagata D10/30
- D486,076 S * 2/2004 Shoubayashi D10/38
- D488,389 S * 4/2004 Moriai et al. D10/30

* cited by examiner

Primary Examiner—Nelson C. Holtje

(74) *Attorney, Agent, or Firm*—Frishauf, Holtz, Goodman & Chick, P.C.

(57) **CLAIM**

The ornamental design for watch case, as shown.

DESCRIPTION

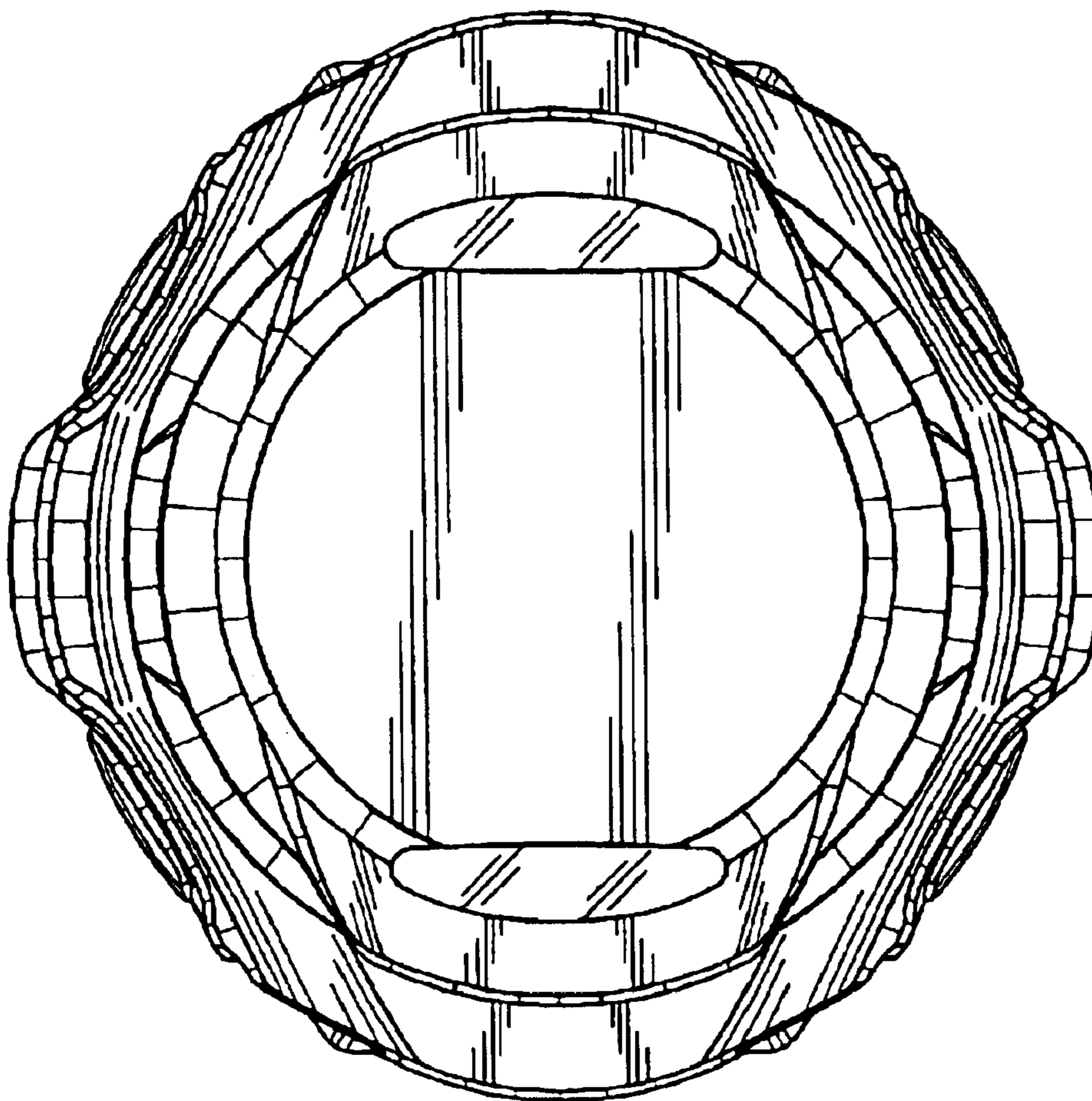
FIG. 1 is a front, right, bottom side perspective view of an watch case showing my new design; FIG. 2 is a front elevational view thereof; FIG. 3 is a rear elevational view thereof; FIG. 4 is a left side view thereof; FIG. 5 is a right side view thereof; FIG. 6 is a top plan view thereof; and, FIG. 7 is a bottom plan view thereof.

(56) **References Cited**

U.S. PATENT DOCUMENTS

- D394,403 S * 5/1998 Hanagata D10/38
- D395,011 S * 6/1998 Hanagata D10/30
- D402,900 S * 12/1998 Hanagata et al. D10/30

1 Claim, 6 Drawing Sheets



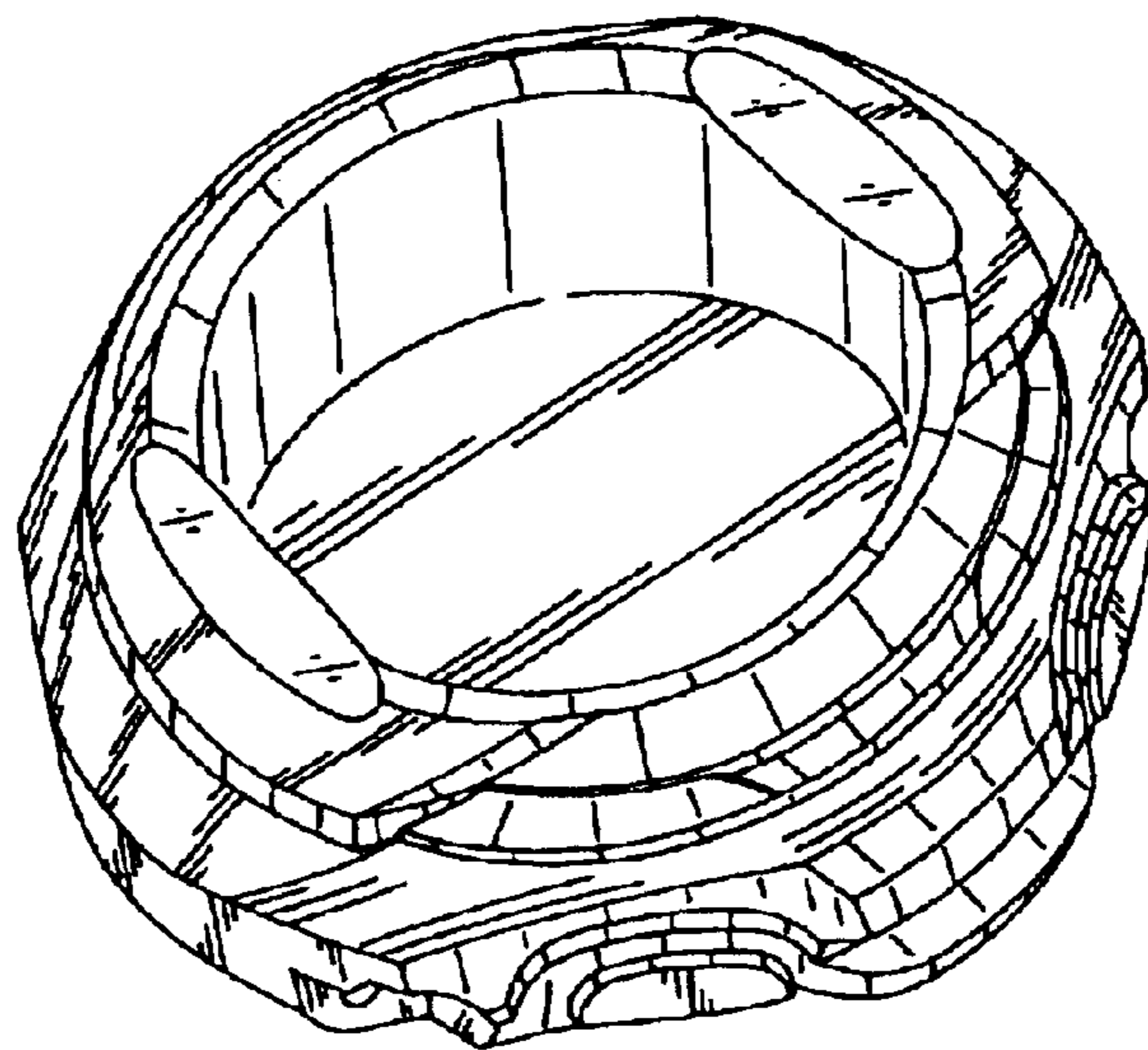


FIG. 1

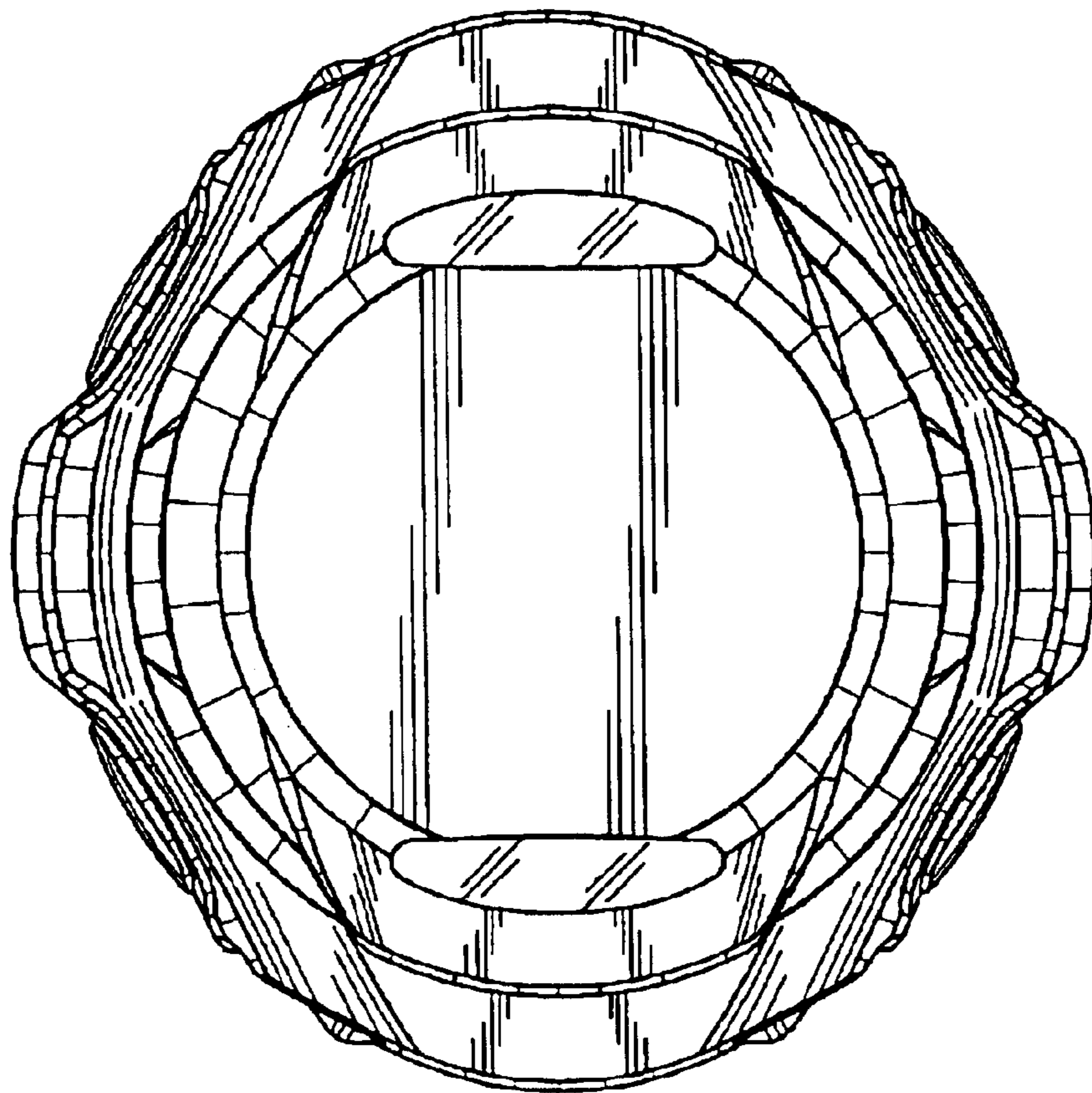


FIG. 2

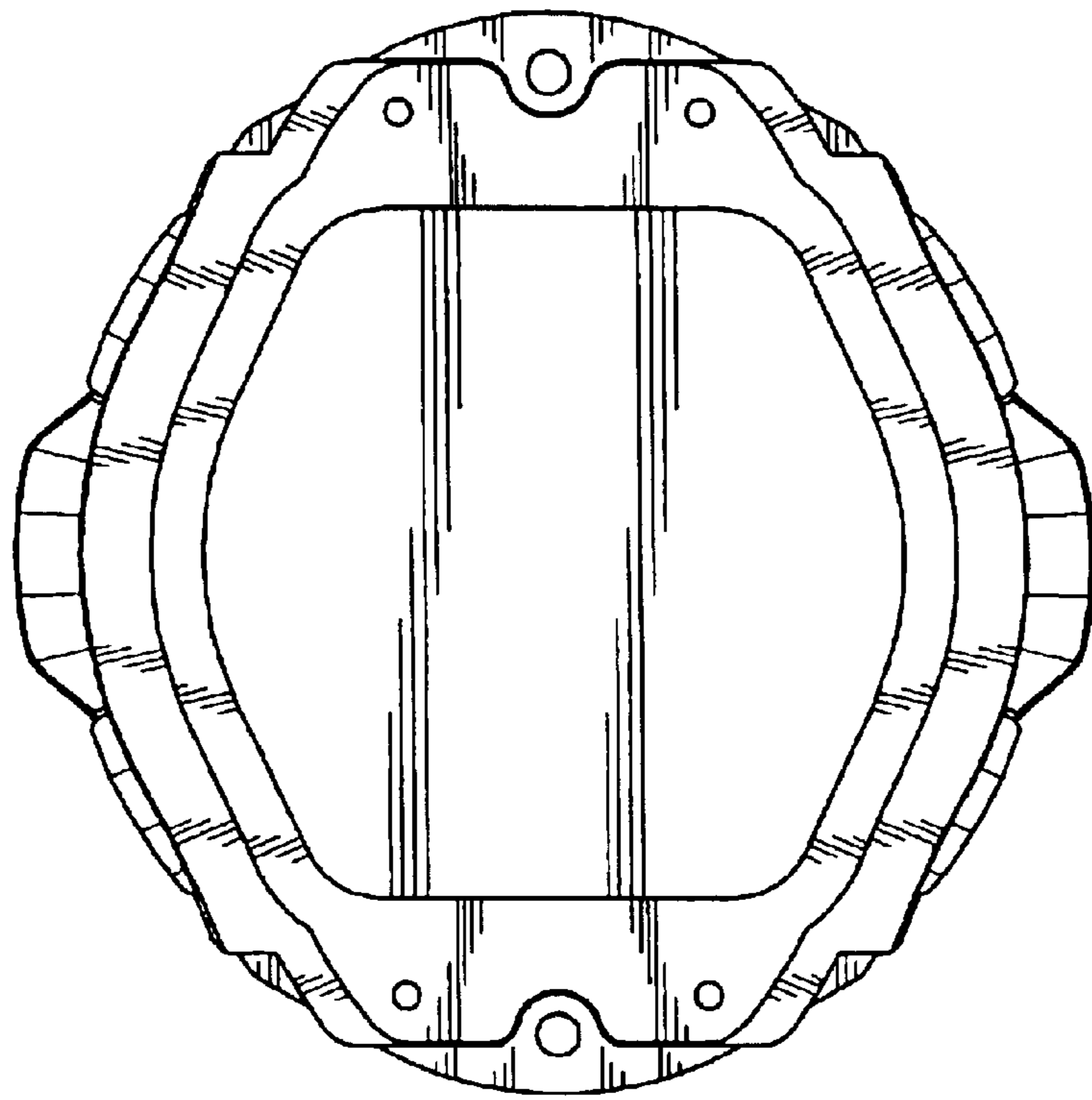


FIG. 3

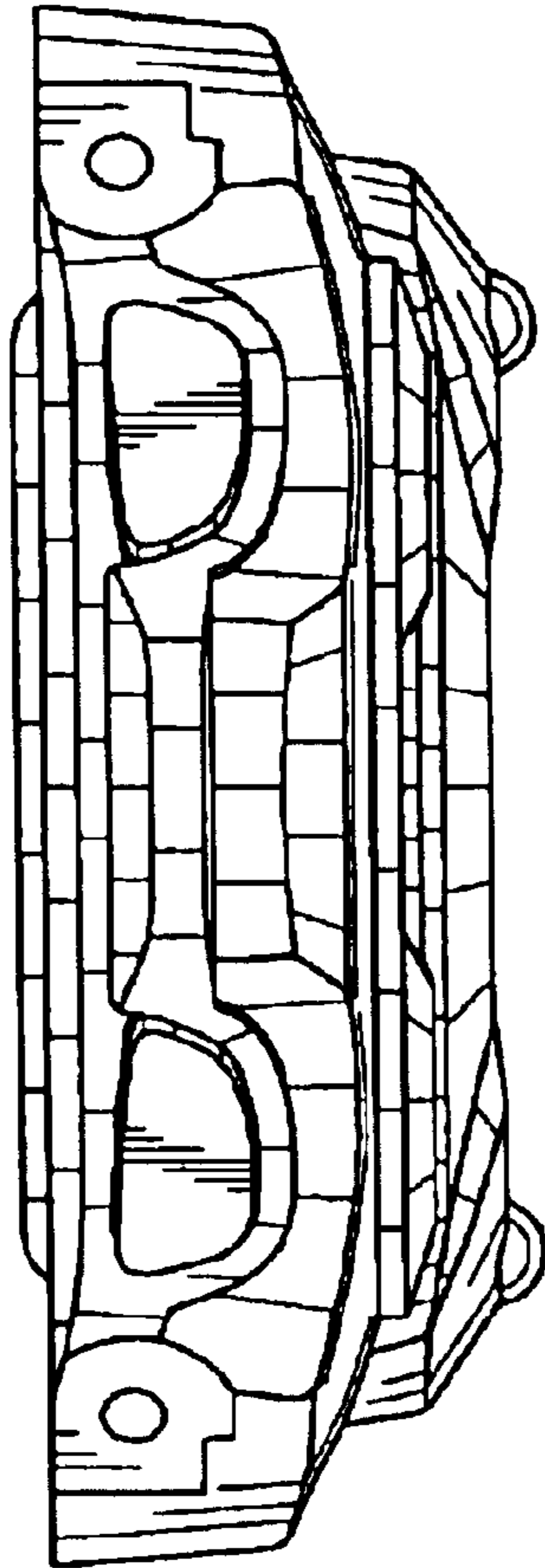


FIG. 4

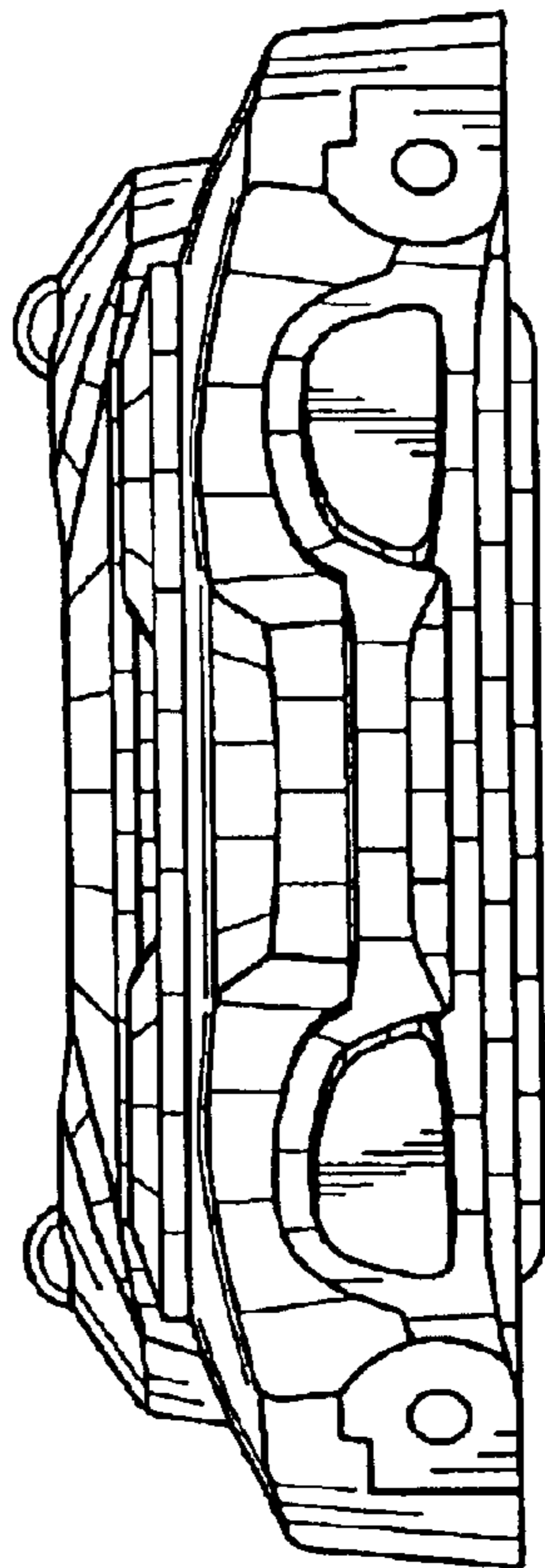


FIG. 5

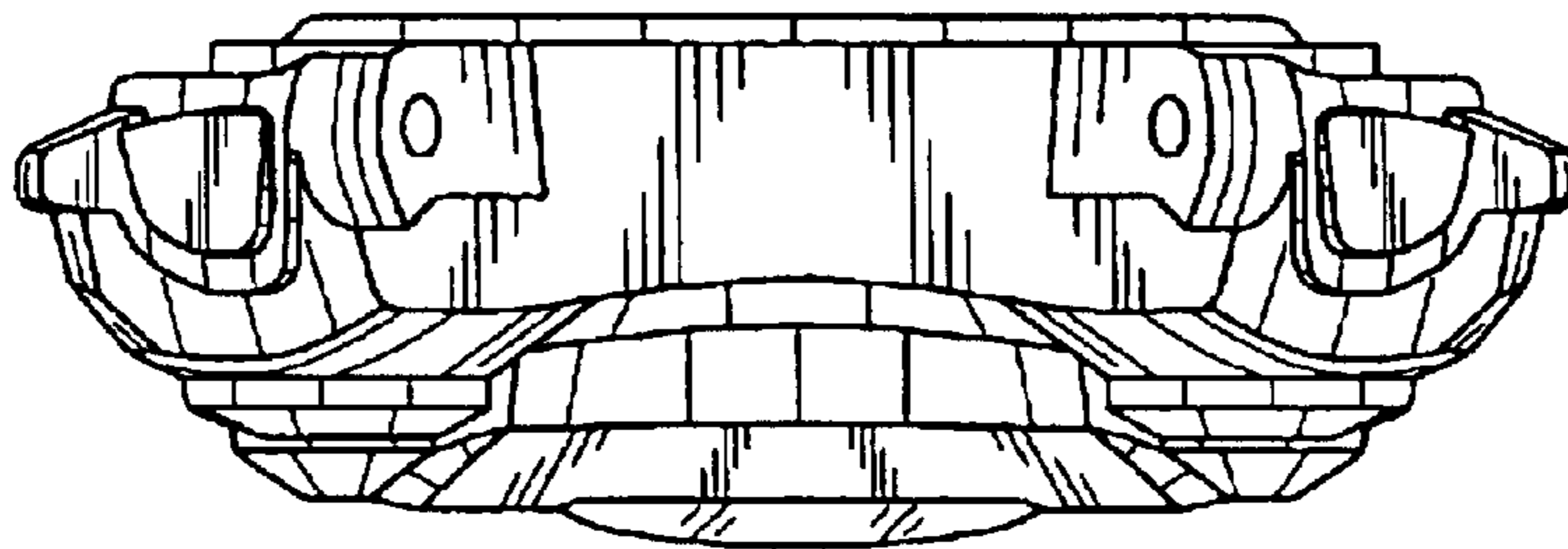


FIG. 6

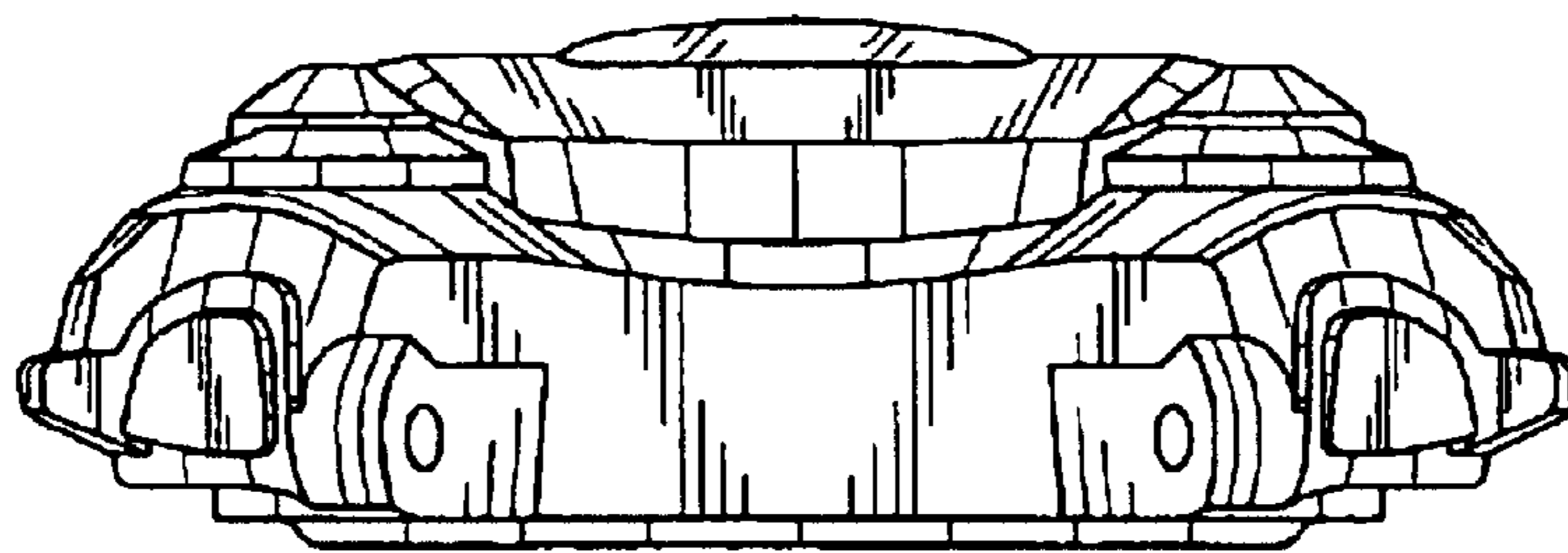


FIG. 7