

US00D495954S1

(12) **United States Design Patent**
Solomon

(10) **Patent No.: US D495,954 S**

(45) **Date of Patent: ** Sep. 14, 2004**

(54) **NASAL RINSE BOTTLE**

(76) **Inventor: Hana R. Solomon**, 4200 Watertown Pl.,
Columbia, MO (US) 65203

(**) **Term: 14 Years**

(21) **Appl. No.: 29/182,485**

(22) **Filed: May 28, 2003**

(51) **LOC (7) Cl. 09-01**

(52) **U.S. Cl. D9/526**

(58) **Field of Search** D9/516, 526, 544,
D9/545, 549, 575; D24/111, 115, 197; 215/382-384,
396, 398, 400, 11.1, 11.5

(56) **References Cited**

U.S. PATENT DOCUMENTS

357,439	A	*	2/1887	Wheelock	215/11.5
1,766,668	A		6/1930	Miller		
2,987,261	A		6/1961	McCuiston et al.		
D193,739	S		10/1962	Garrison		
3,081,481	A	*	3/1963	Egon et al.	401/138
3,199,510	A		8/1965	Sinai		
D250,601	S		12/1978	Pick et al.		
4,167,186	A		9/1979	Pick et al.		
D260,734	S		9/1981	Frumin et al.		
4,392,492	A		7/1983	Pick		
4,817,626	A		4/1989	Blaine		
D305,262	S		12/1989	Nichols		
D307,714	S		5/1990	Rosenberg		
D316,754	S	*	5/1991	Lau	D24/197
D325,520	S	*	4/1992	Biesecker	D9/526
D326,610	S	*	6/1992	Kritzler	D9/526

D328,421	S	*	8/1992	Weiler	D9/526
D392,568	S	*	3/1998	Goettner	D9/526
D394,113	S	*	5/1998	Walsh et al.	D24/197
D399,005	S	*	9/1998	Chan et al.	D24/197
D402,561	S	*	12/1998	Utrup et al.	D9/526
D410,847	S		6/1999	Bodker et al.		
D414,115	S	*	9/1999	Goettner et al.	D9/526
D426,300	S		6/2000	Conforti		
D428,496	S	*	7/2000	Thom et al.	D24/197
6,526,966	B1	*	3/2003	Peesay	215/11.1 X
D475,626	S	*	6/2003	Barruw	D9/526

* cited by examiner

Primary Examiner—Carol Rademaker

(74) *Attorney, Agent, or Firm*—Senniger, Powers, Leavitt & Roedel

(57) **CLAIM**

The ornamental design for a nasal rinse bottle, as shown and described.

DESCRIPTION

FIG. 1 is a perspective view of the nasal rinse bottle showing my new design;

FIG. 2 is a front elevational view thereof;

FIG. 3 is a left side elevational view thereof;

FIG. 4 is a right side elevational view thereof;

FIG. 5 is a rear elevational view thereof;

FIG. 6 is a top plan view thereof; and,

FIG. 7 is a bottom plan view thereof.

The broken lines shown in the drawings are for illustrative purposes only and form no part of the claimed design.

1 Claim, 6 Drawing Sheets

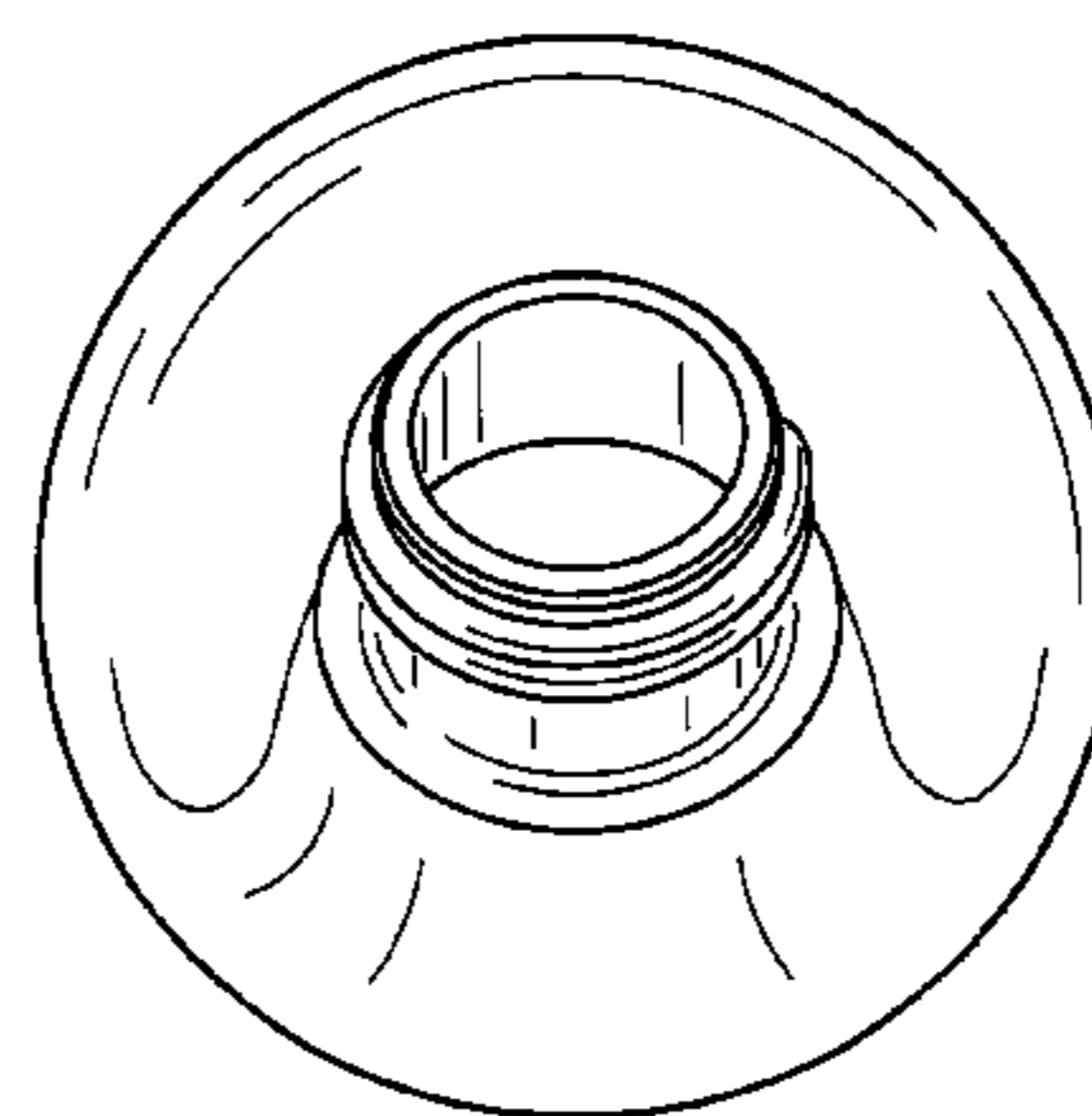
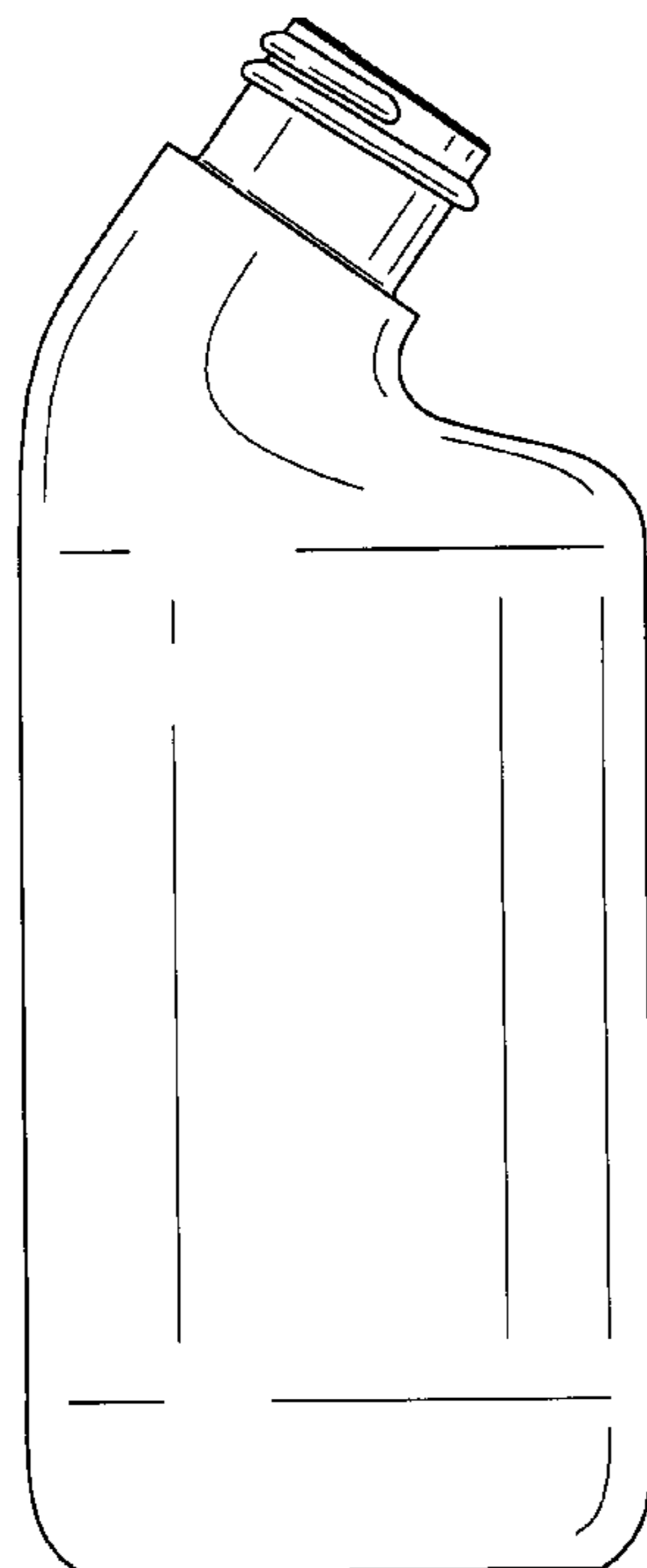


FIG. 1

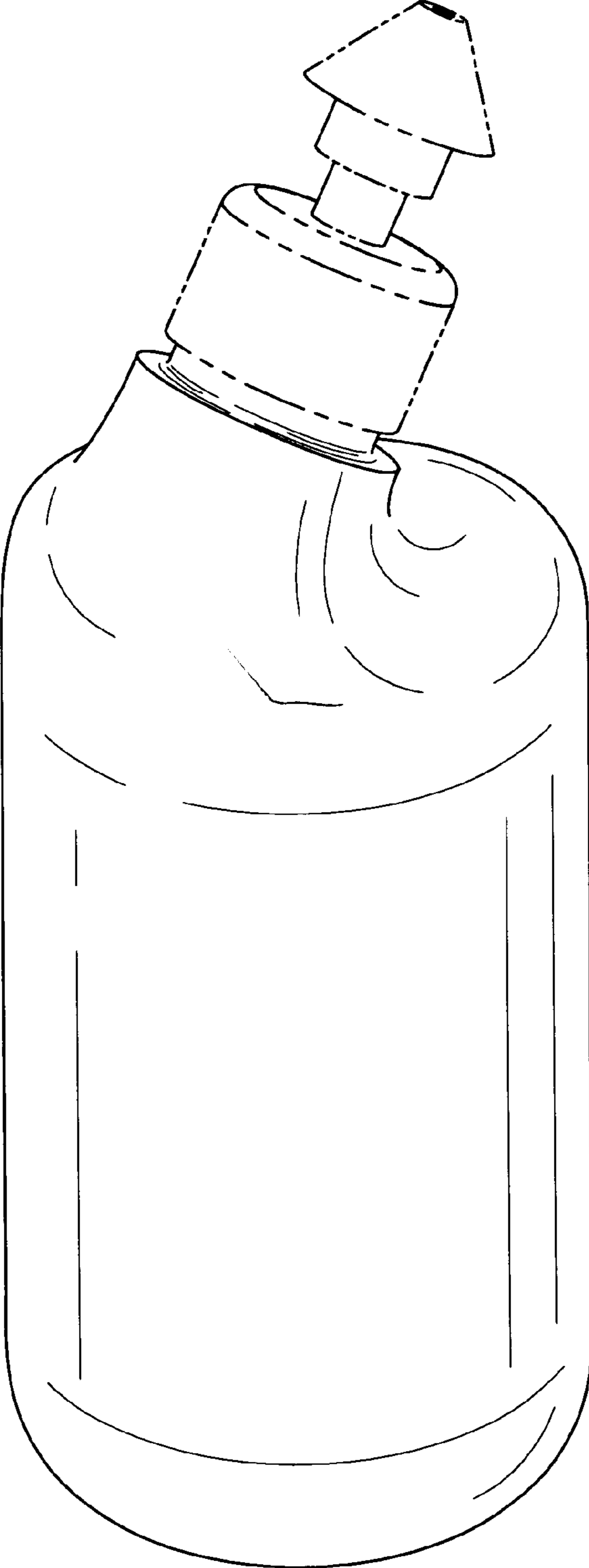


FIG. 2

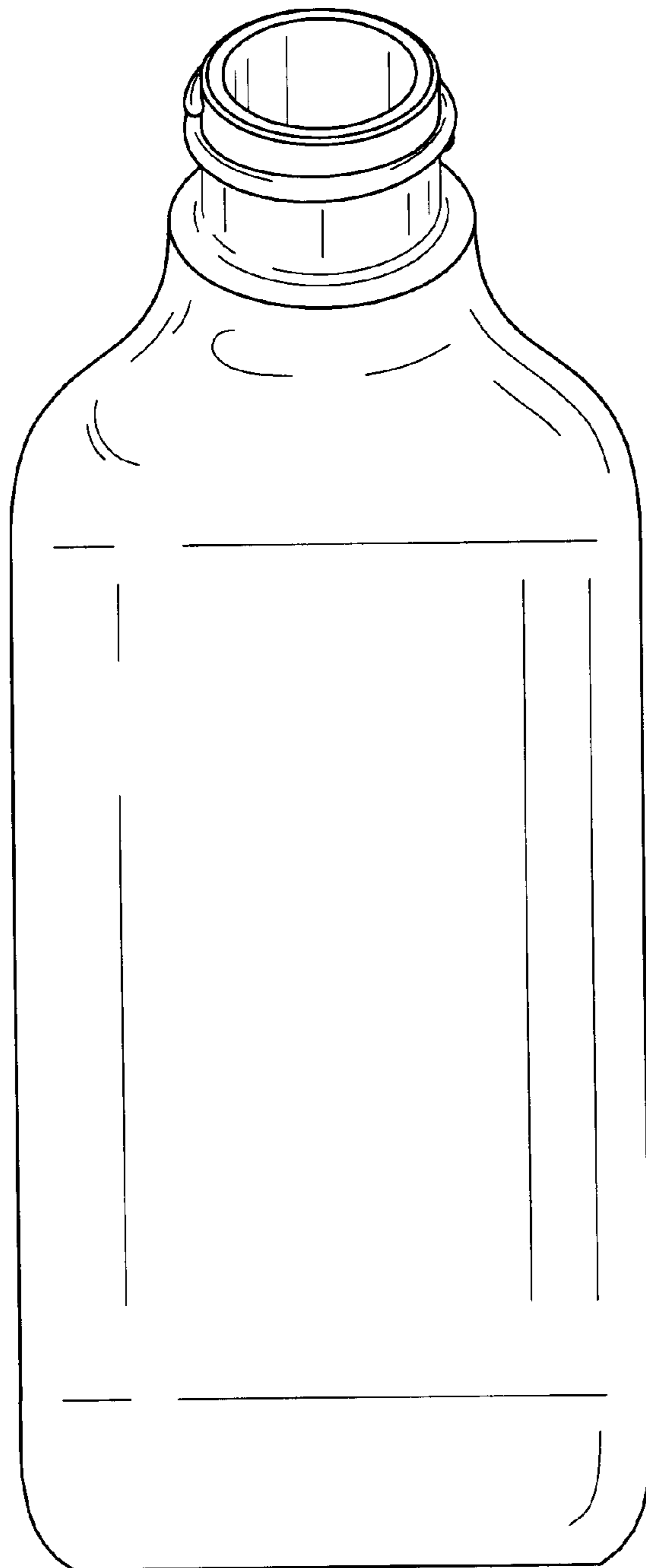


FIG. 3

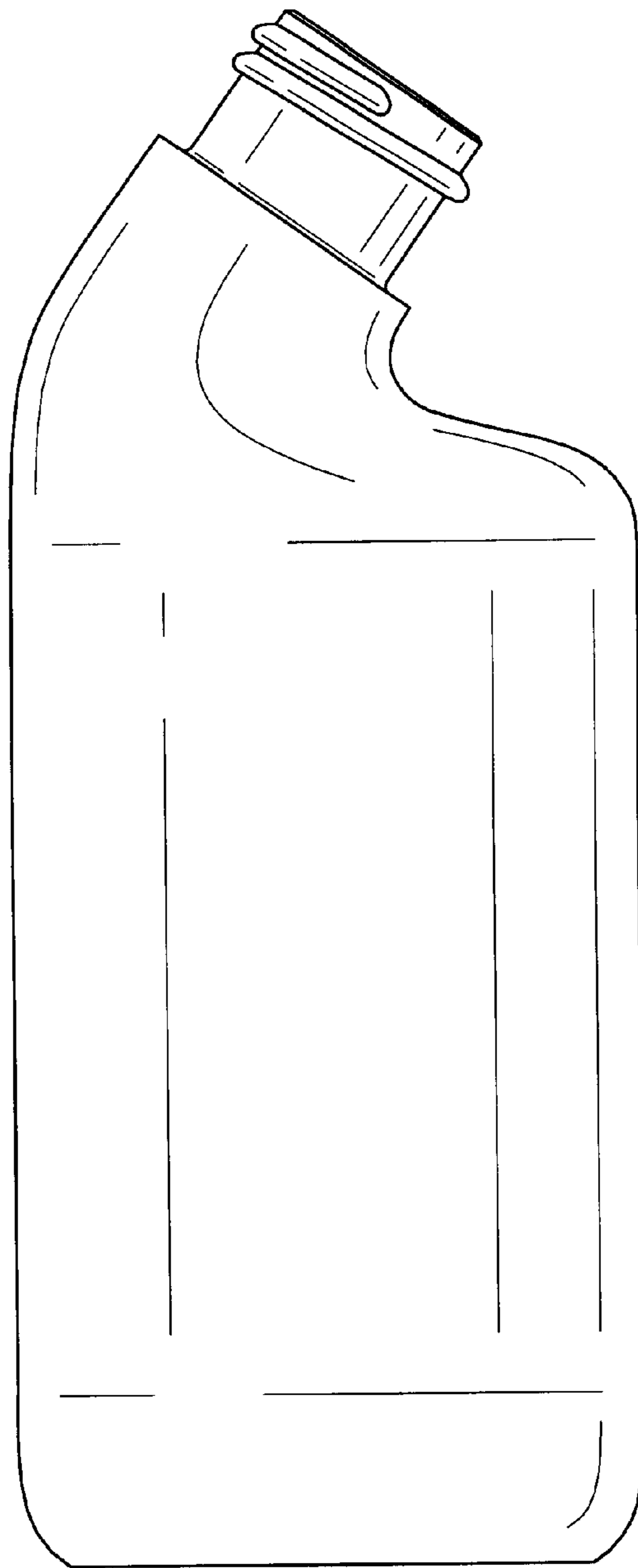


FIG. 4

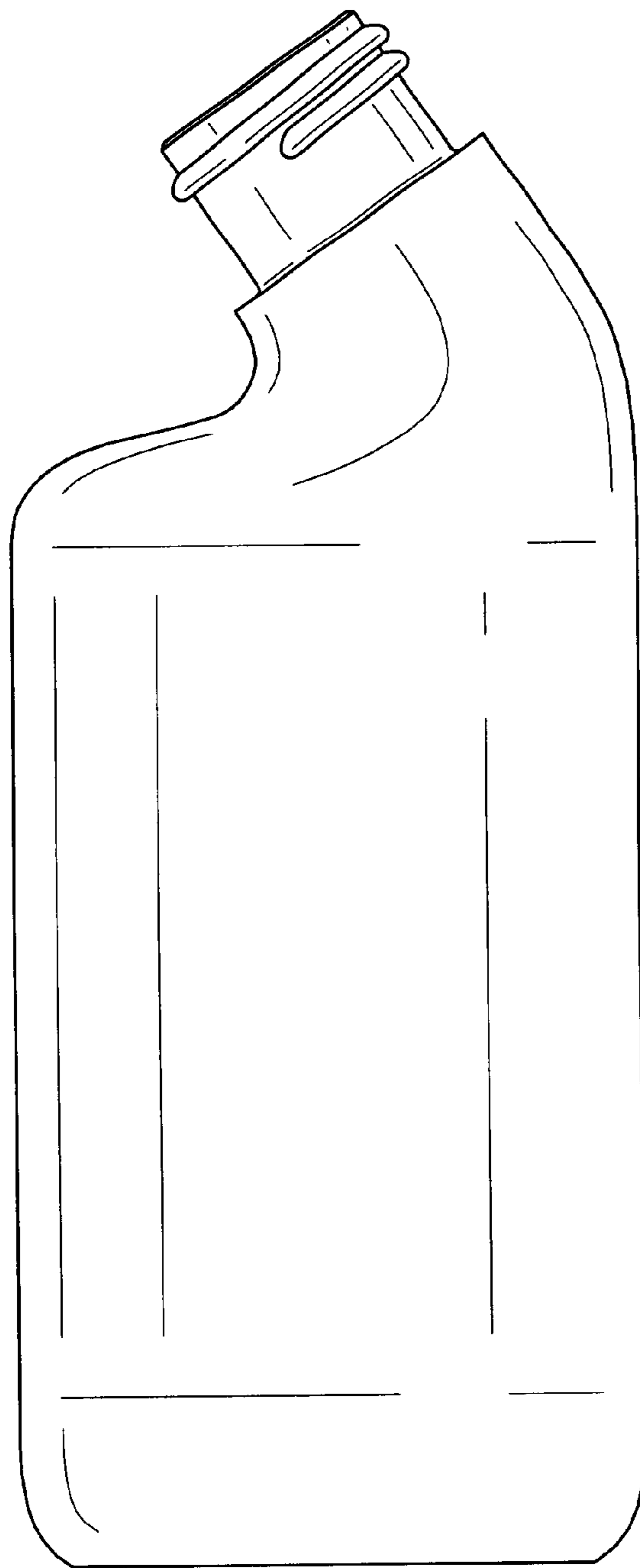


FIG. 5

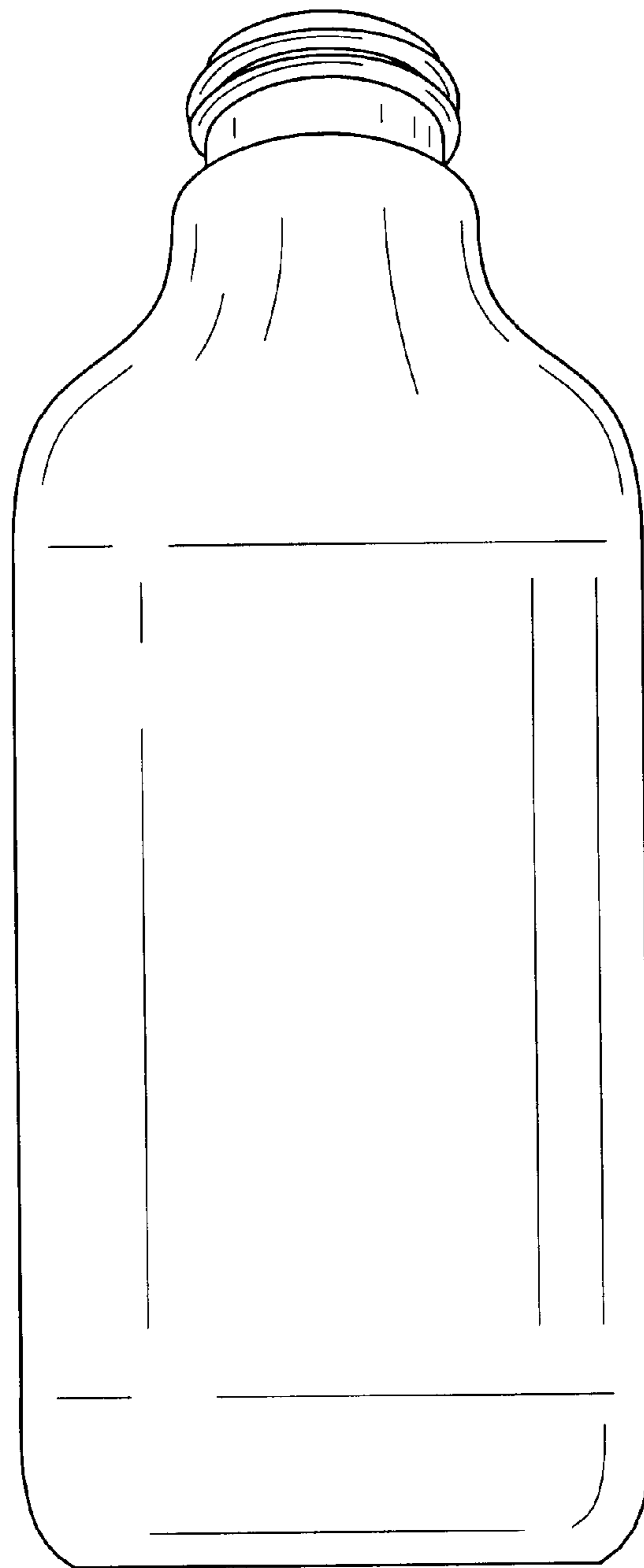


FIG. 6

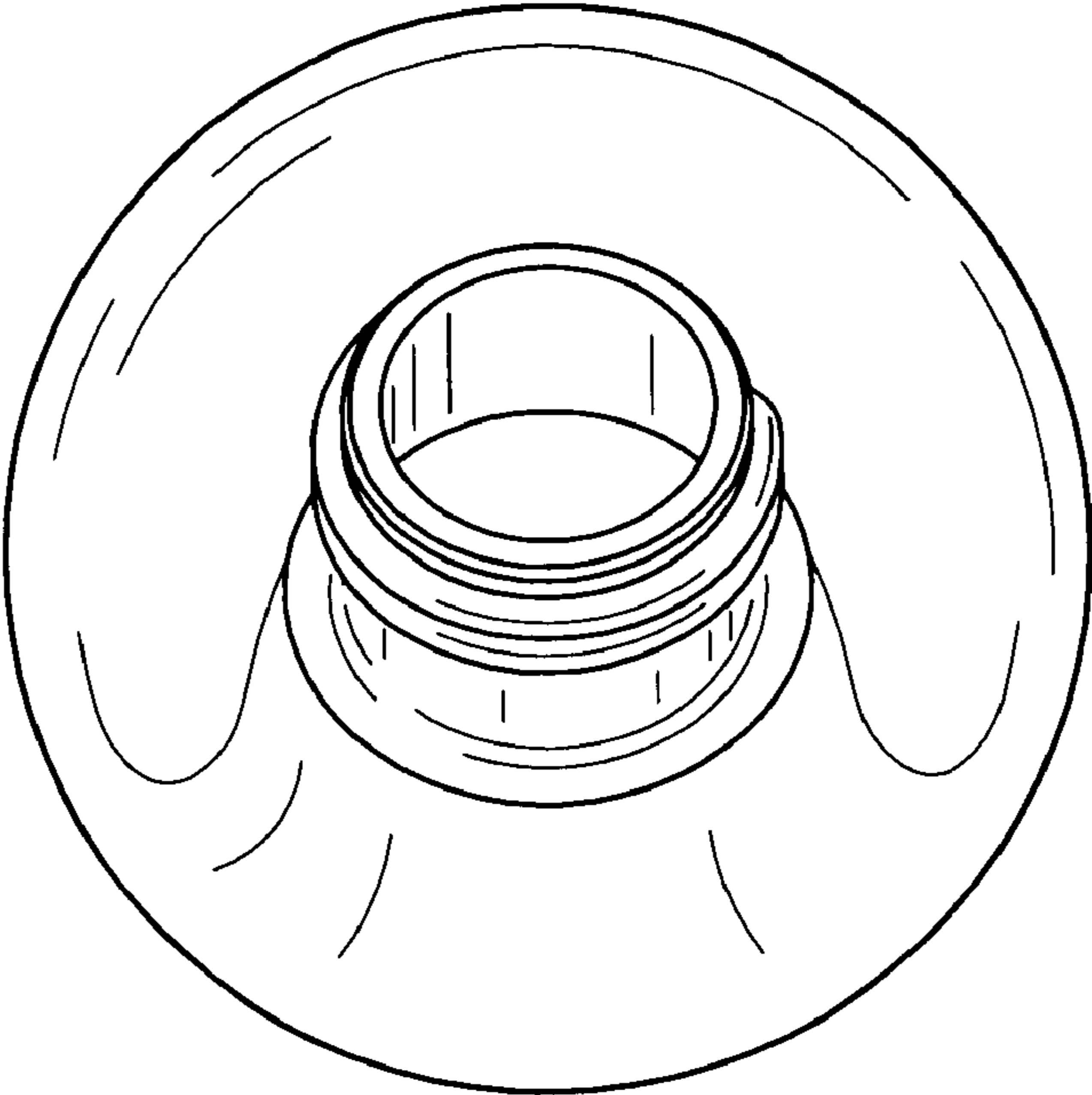


FIG. 7

