

US00D495950S1

(12) **United States Design Patent**
Cotert et al.

(10) **Patent No.:** **US D495,950 S**
(45) **Date of Patent:** **** Sep. 14, 2004**

(54) **HYGENIC ABSORBENT ARTICLE PACKAGE**

(75) Inventors: **Filiz Cotert**, Frankfurt am Main (DE);
Lutz Stelzig, Frankfurt am Main (DE)

(73) Assignee: **The Procter & Gamble Company**,
Cincinnati, OH (US)

(**) Term: **14 Years**

(21) Appl. No.: **29/193,642**

(22) Filed: **Nov. 12, 2003**

(30) **Foreign Application Priority Data**

May 14, 2003 (GB) 3012742

(51) **LOC (7) Cl.** **09-03**

(52) **U.S. Cl.** **D9/416; D9/432; D9/9;**
D9/423

(58) **Field of Search** D9/339, 414, 415,
D9/420, 432, 422, 423, 499; 206/204, 233,
438, 440, 449, 494, 527, 821; 220/507,
215.5, 810, 836, 890; 221/69, 134, 154,
303

(56) **References Cited**

U.S. PATENT DOCUMENTS

2,290,971 A * 7/1942 King 229/120.011

2,401,664 A * 6/1946 Irving 229/117.19
D273,941 S * 5/1984 Farber D9/420
5,472,136 A * 12/1995 Roccaforte 229/117.12
6,079,562 A * 6/2000 Bauer et al. 206/494
6,685,020 B2 * 2/2004 Briseboi et al. 206/440
2002/0117419 A1 * 8/2002 Tippey et al. 206/494

* cited by examiner

Primary Examiner—Prabhakar Deshmukh

Assistant Examiner—Daniel Bui

(74) *Attorney, Agent, or Firm*—Matthew P. Fitzpatrick; Ian
S. Robinson; Edward J. Milbrada

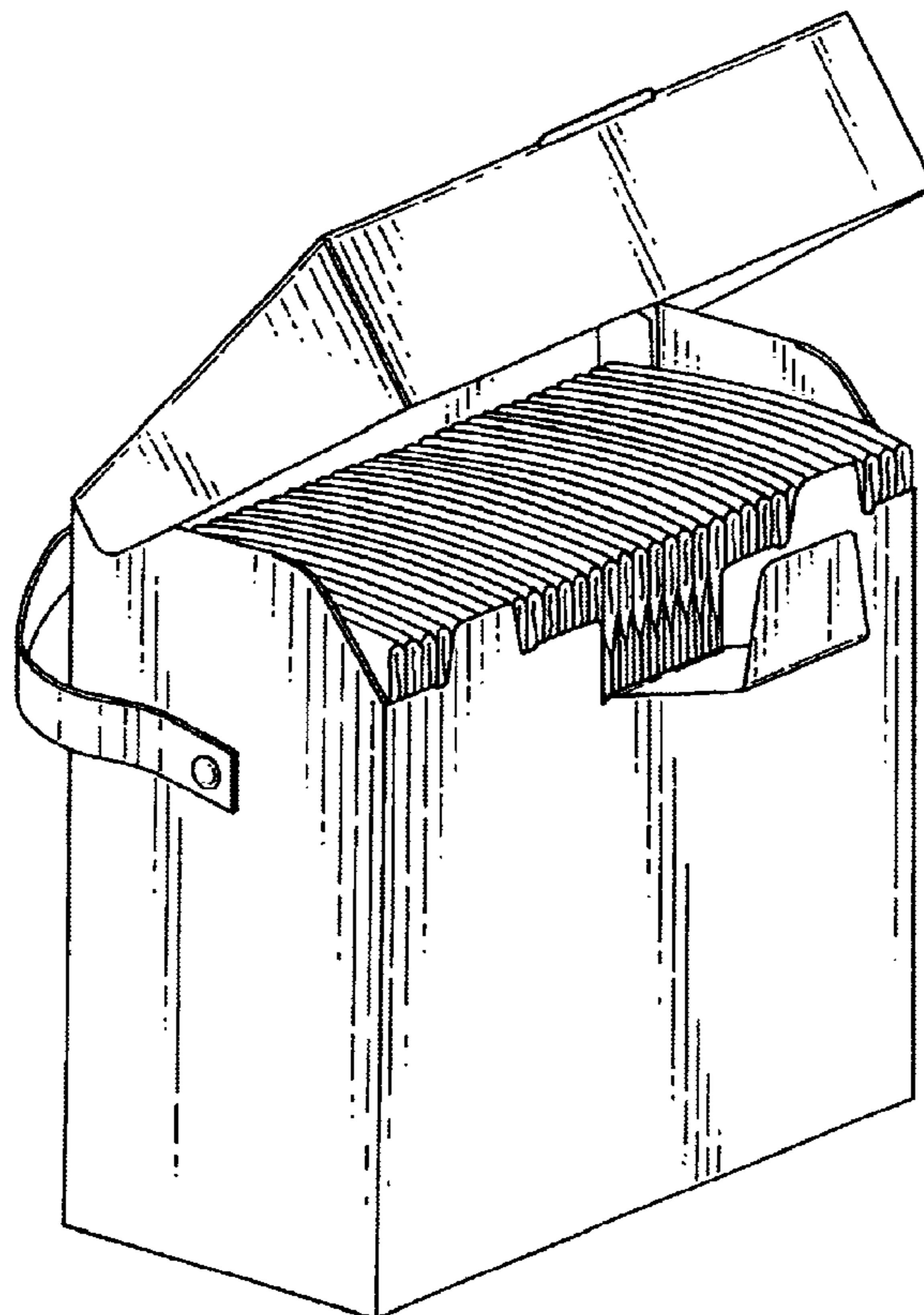
(57) **CLAIM**

The ornamental design for a hygenic absorbent article
package, as shown and described.

DESCRIPTION

FIG. 1 is a perspective view of a hygenic absorbent article
package, showing our new design;
FIG. 2 is a top plan view thereof;
FIG. 3 is a front elevation view thereof;
FIG. 4 is a left side elevation view thereof; and,
FIG. 5 is a perspective view thereof, in an open condition.

1 Claim, 4 Drawing Sheets



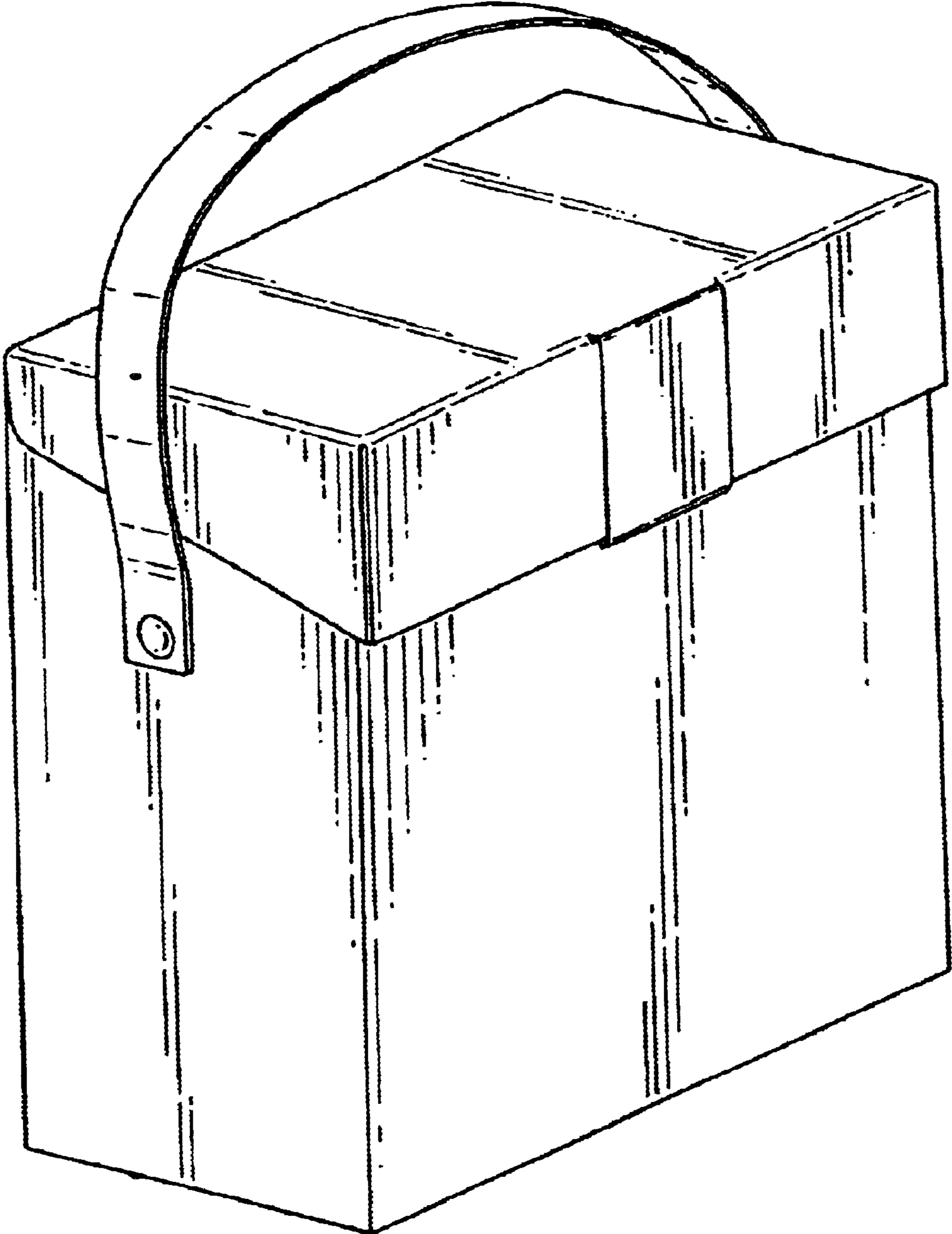


Fig. 1.

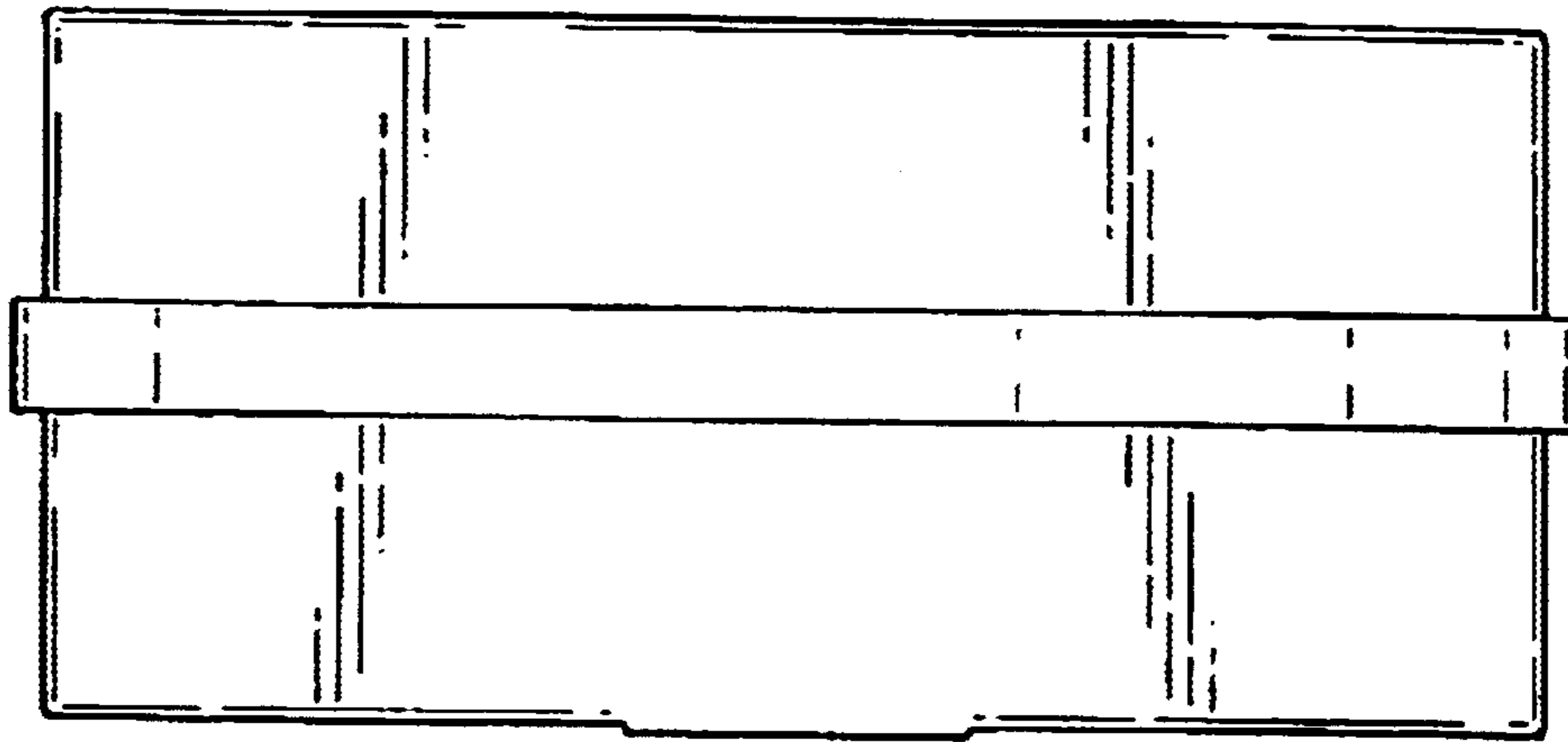


Fig.2.

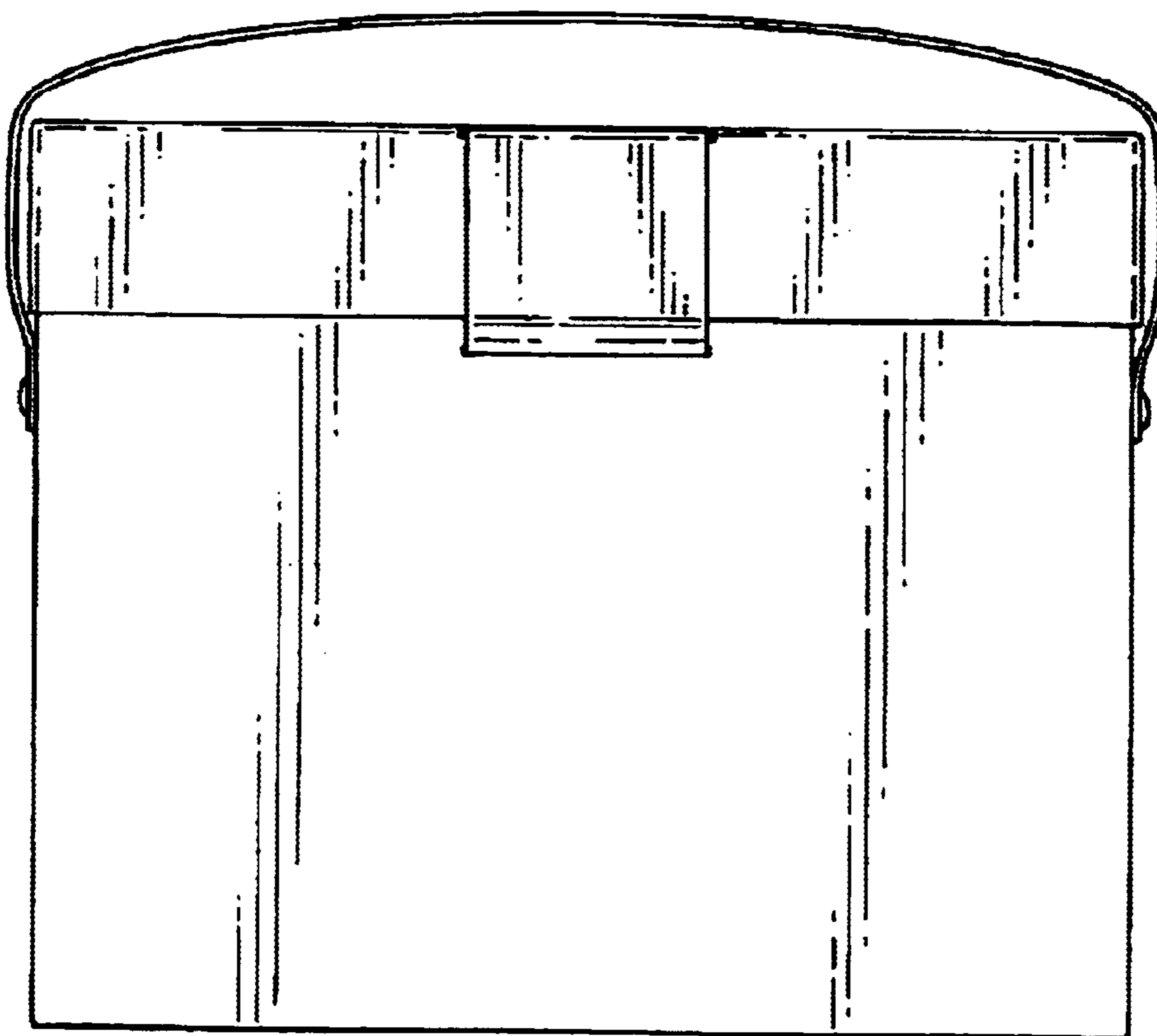


Fig.3.

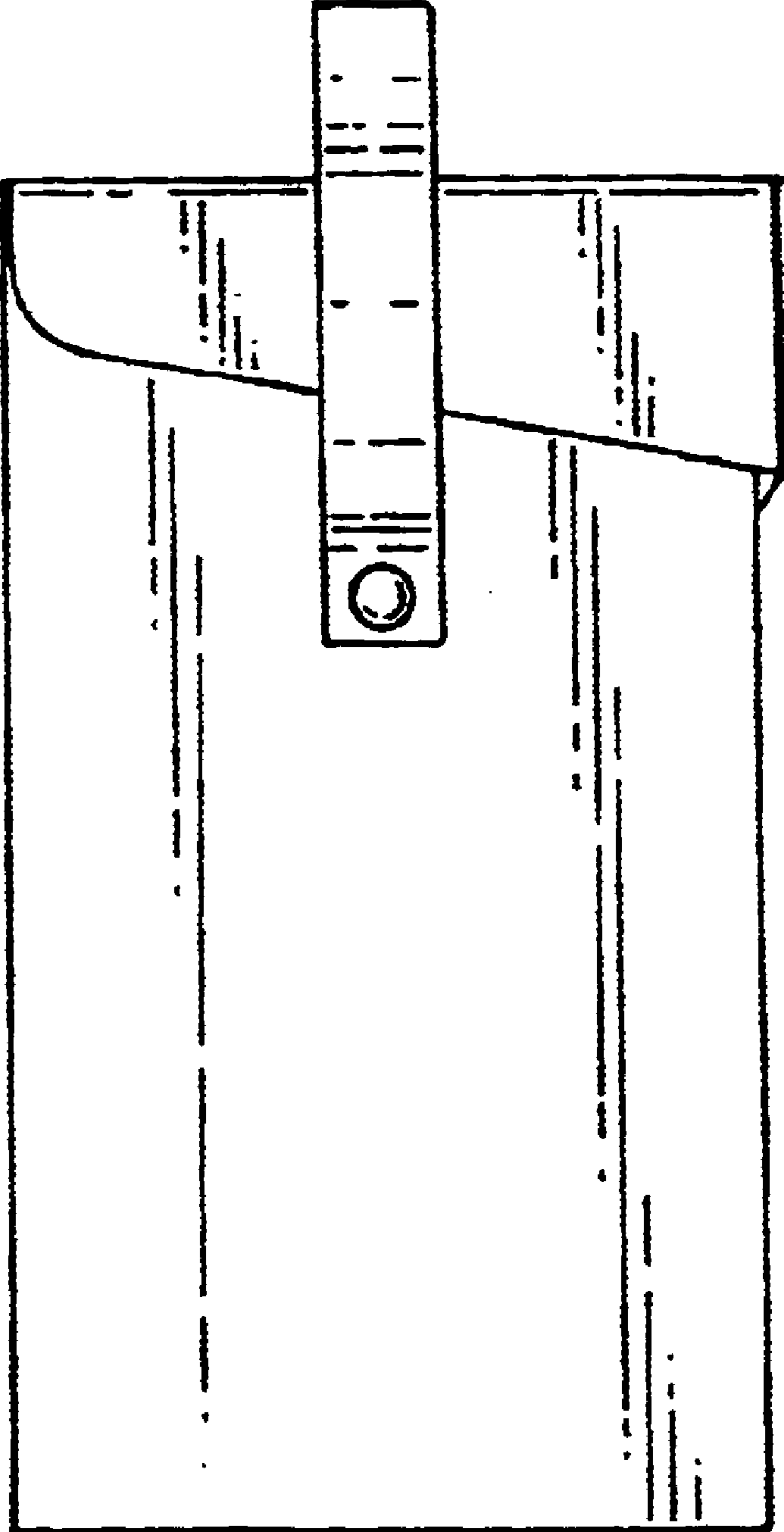


Fig.4.

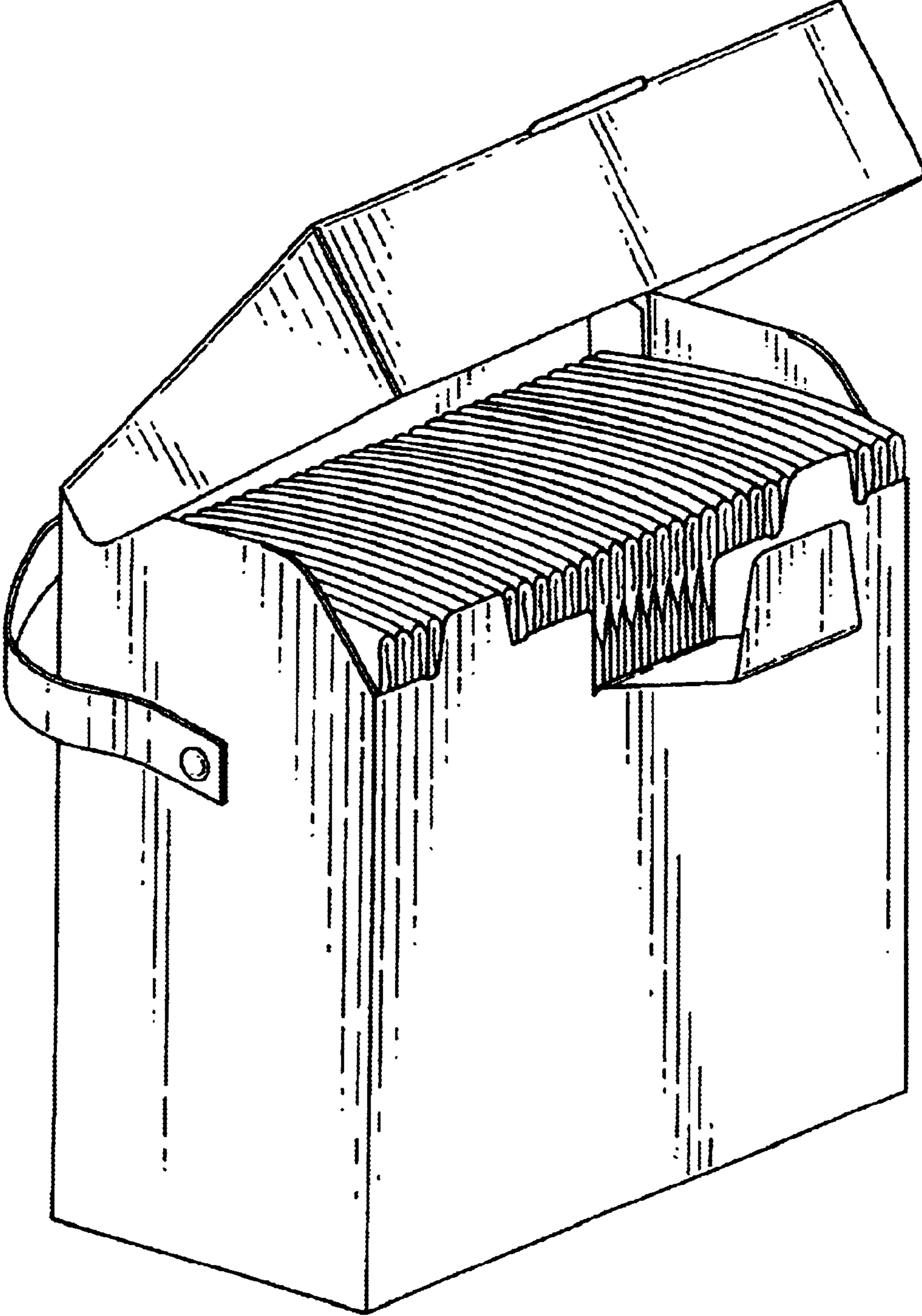


Fig.5.