

US00D495943S1

(12) **United States Design Patent**
Hentschel et al.

(10) **Patent No.:** **US D495,943 S**

(45) **Date of Patent:** **** Sep. 14, 2004**

(54) **ENTRY KEY PAD**

(75) **Inventors:** **Christopher Hentschel**, Kingston, MA
(US); **Brad Sampson**, Methuen, MA
(US)

(73) **Assignee:** **International Electronics, Inc.**,
Canton, MA (US)

(**) **Term:** **14 Years**

(21) **Appl. No.:** **29/191,043**

(22) **Filed:** **Sep. 30, 2003**

(51) **LOC (7) Cl.** **08-07**

(52) **U.S. Cl.** **D8/330; D8/343**

(58) **Field of Search** D8/330, 331, 343,
D8/347; 70/14, 20, 57, 277, 278.1, 278.4,
51, 52, 443, 278.7, 213, 214, 266, 286,
207, 209

(56) **References Cited**

U.S. PATENT DOCUMENTS

3,187,528 A	*	6/1965	Check	70/299
D353,530 S	*	12/1994	Gartner	D8/330
5,475,996 A	*	12/1995	Chen	70/279.1
D365,976 S	*	1/1996	Chiu	D8/330
D366,822 S	*	2/1996	Brooks et al.	D8/330

5,517,836 A	*	5/1996	Hong	70/30
5,841,361 A	*	11/1998	Hoffman	340/5.54
D438,447 S	*	3/2001	Gartner	D8/331
6,272,562 B1	*	8/2001	Scott et al.	710/16
D450,559 S	*	11/2001	Yu	D8/331
D452,807 S	*	1/2002	Gartner	D8/330
D461,111 S	*	8/2002	Gartner	D8/301
D479,682 S	*	9/2003	Frolov et al.	D8/331

* cited by examiner

Primary Examiner—Prabhakar Deshmukh

(57) **CLAIM**

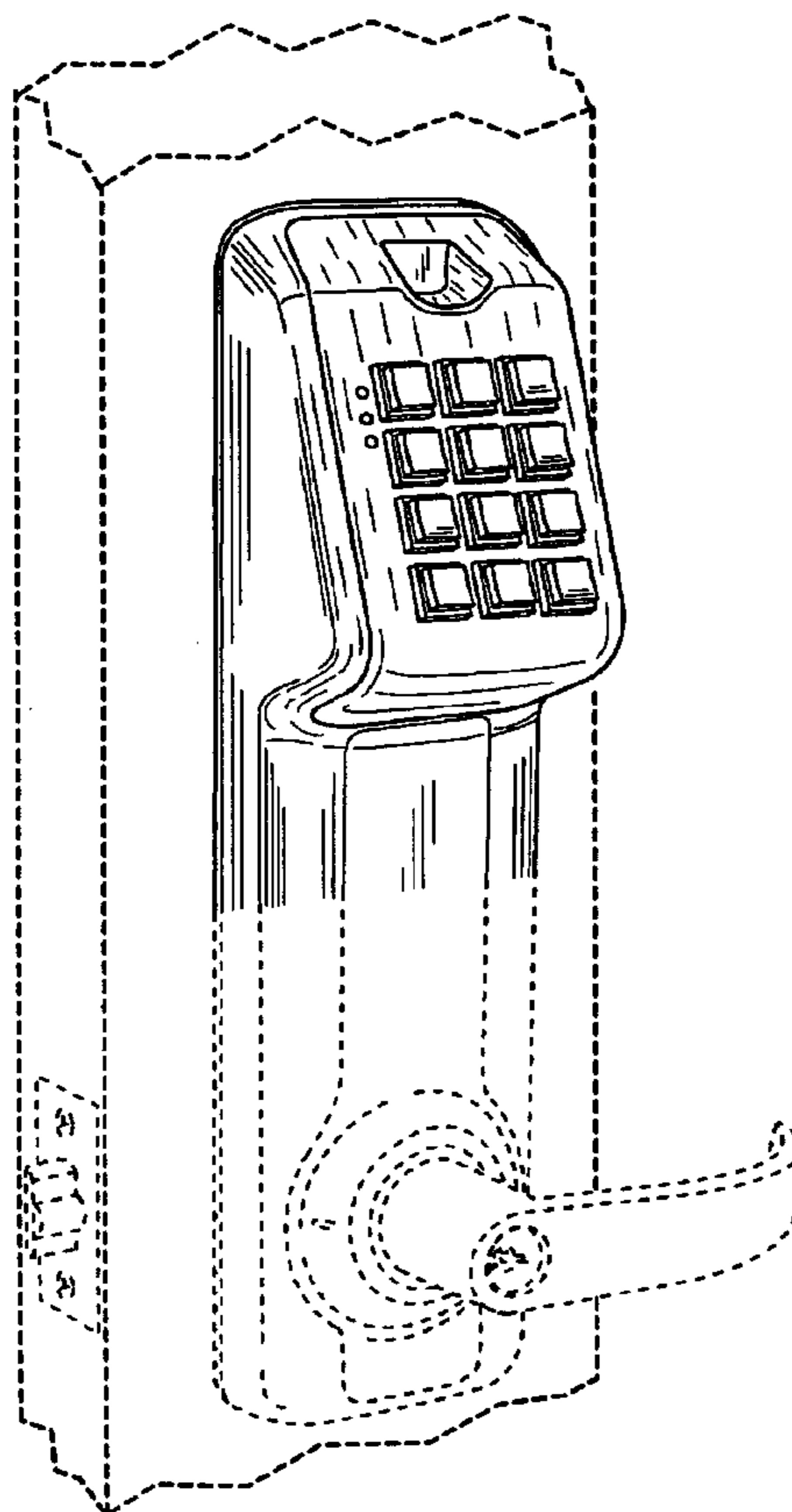
The ornamental design for an “entry key pad,” as shown and described.

DESCRIPTION

FIG. 1 is a perspective view of the present invention; FIG. 2 is a rear elevation view of the present invention; FIG. 3 is a side elevation view of the present invention; FIG. 4 is a front elevation view the present invention; FIG. 5 is a side elevation view of the present invention; FIG. 6 is a top plan view of the present invention; and, FIG. 7 is a bottom plan view of the present invention.

The broken lines are shown for environmental purposes only and do not form part of the claimed design. The shade lines define the boundary of the claimed design.

1 Claim, 4 Drawing Sheets



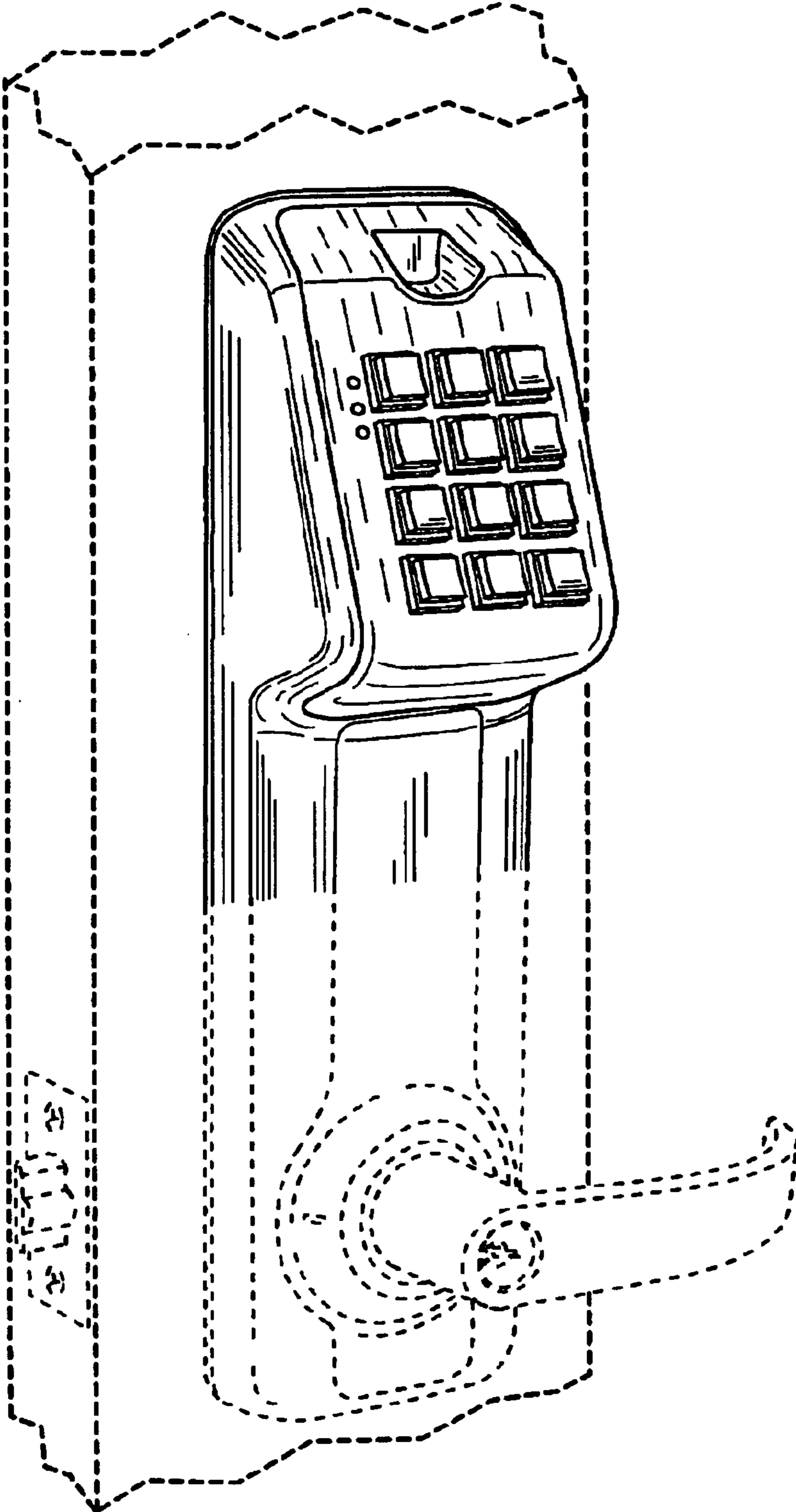


FIG. 1

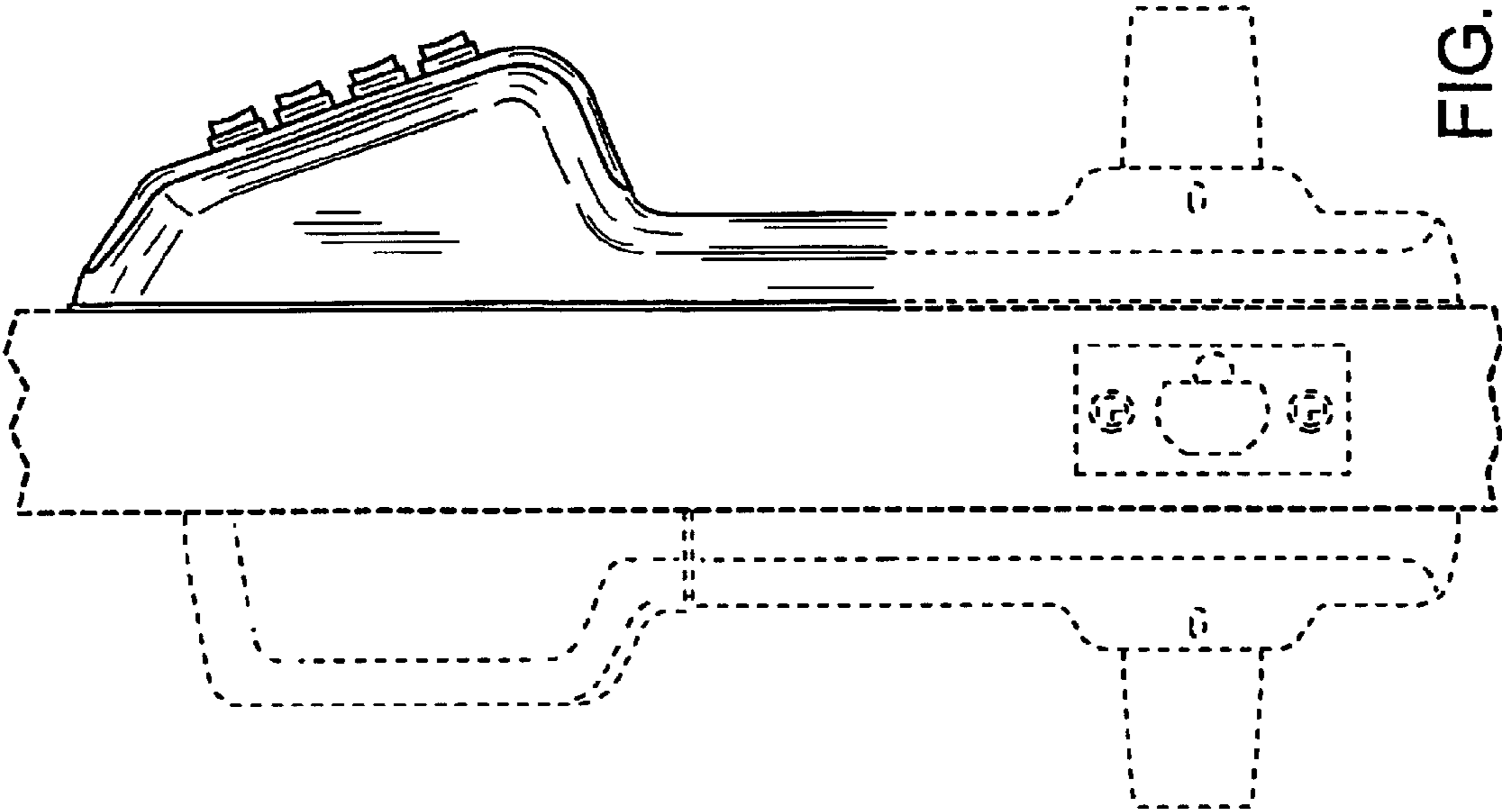


FIG. 3

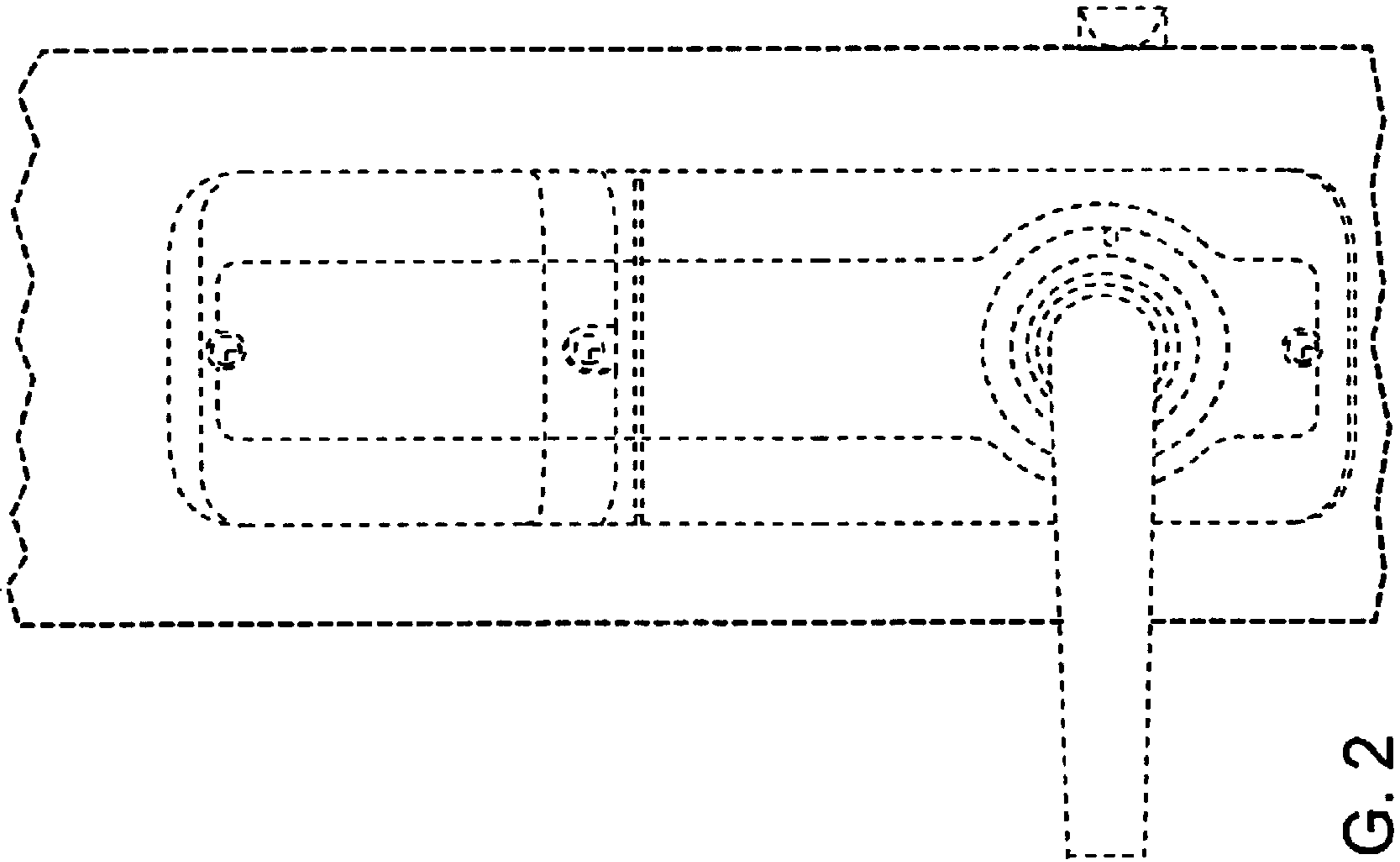


FIG. 2

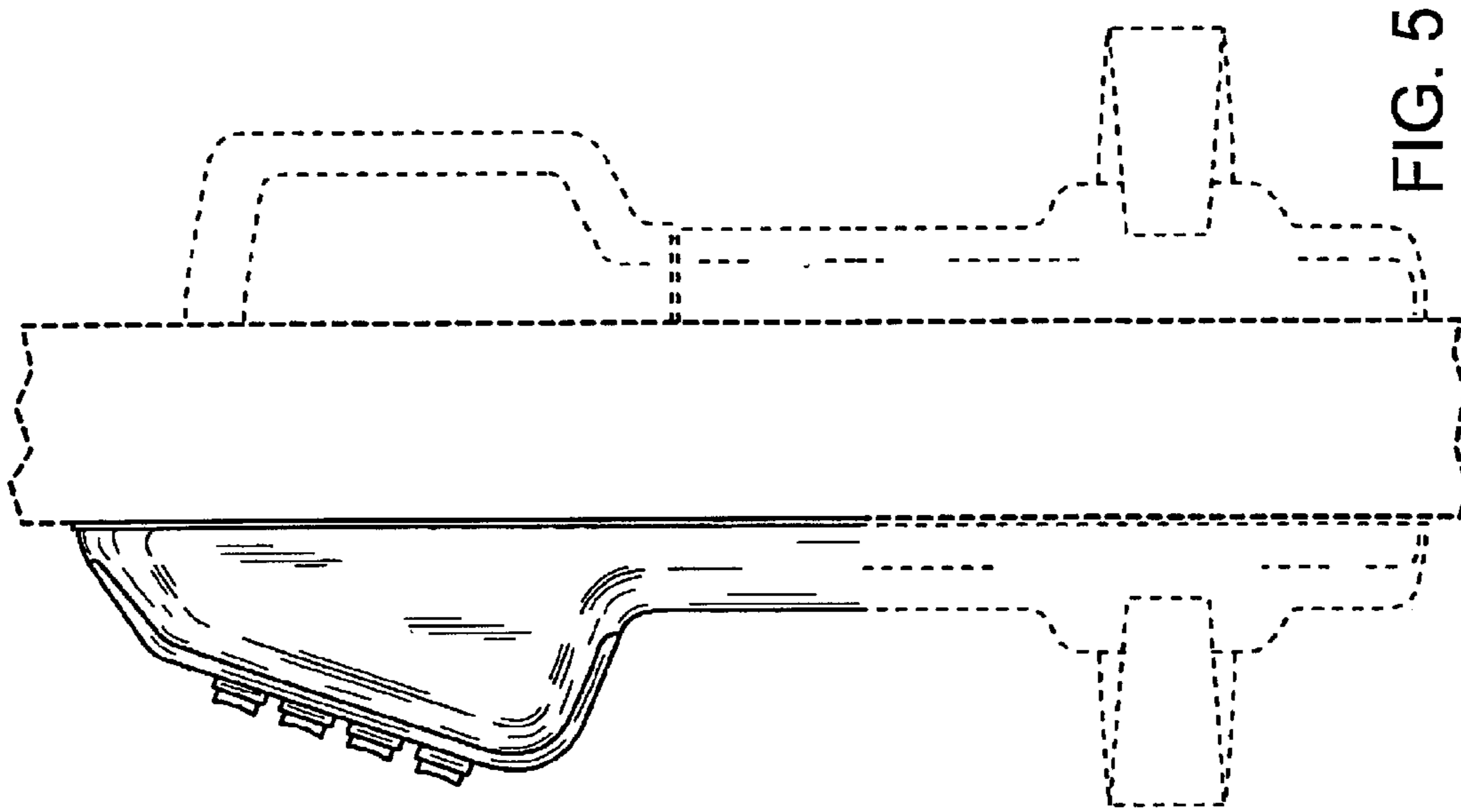


FIG. 5

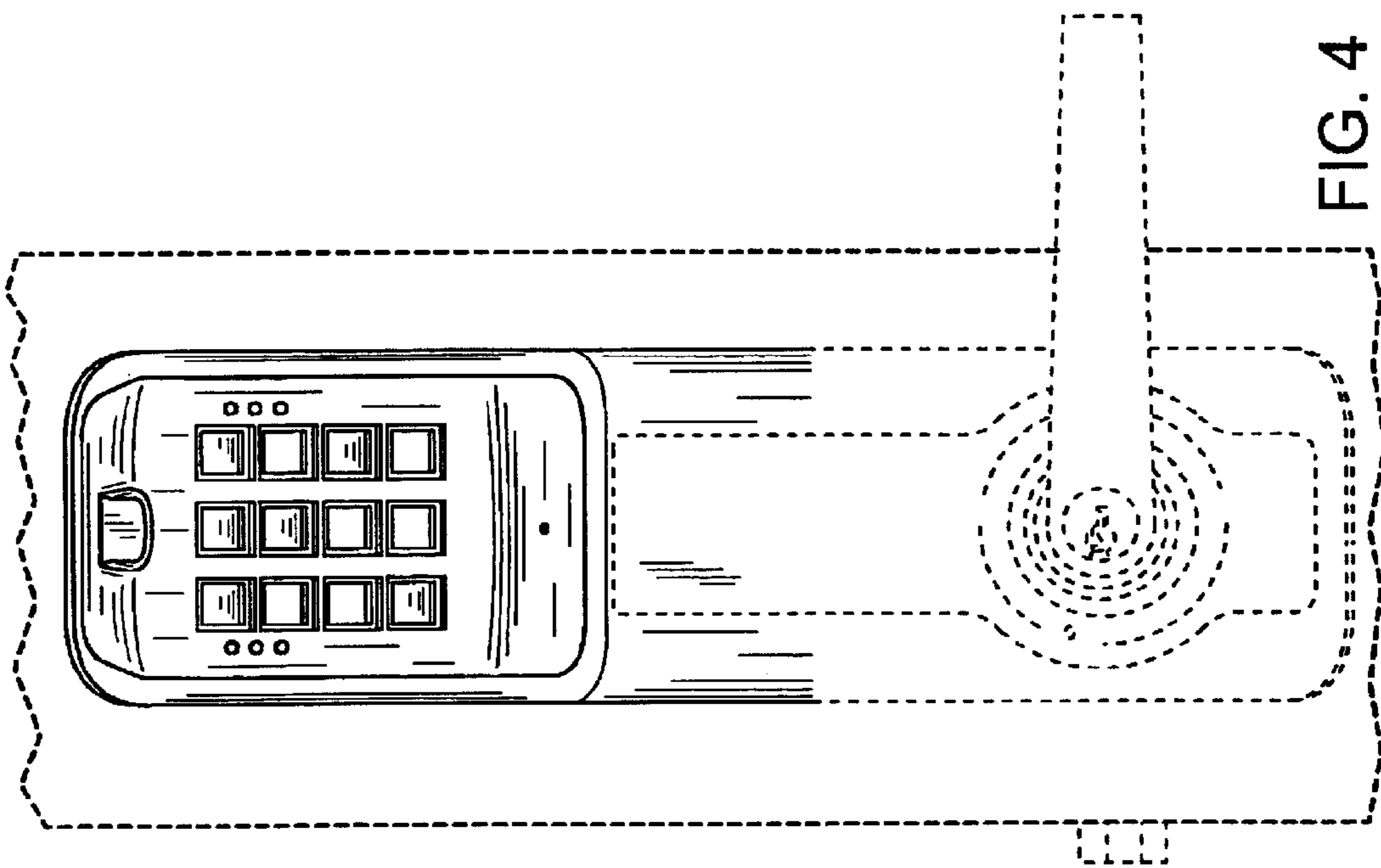


FIG. 4

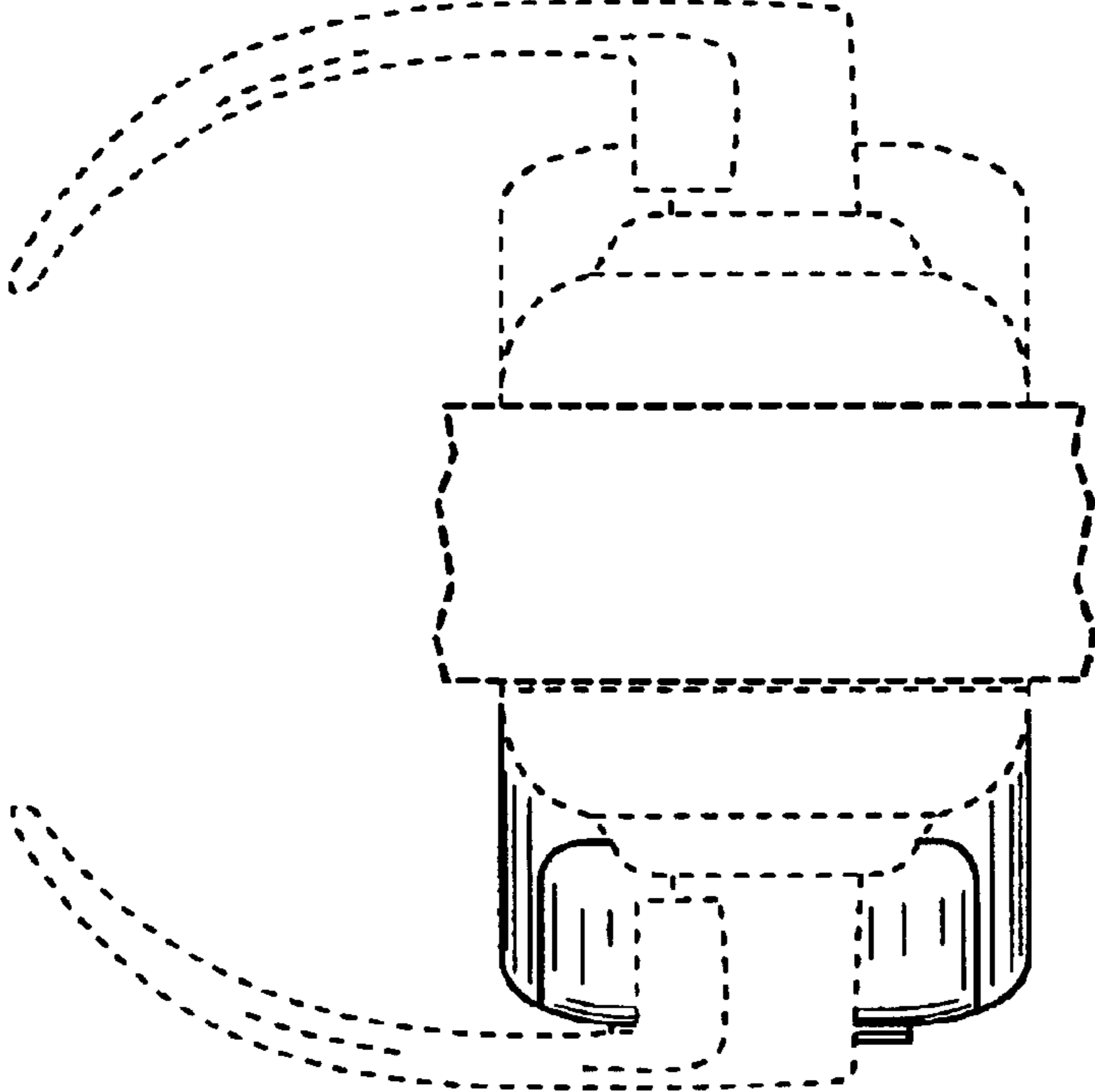


FIG. 7

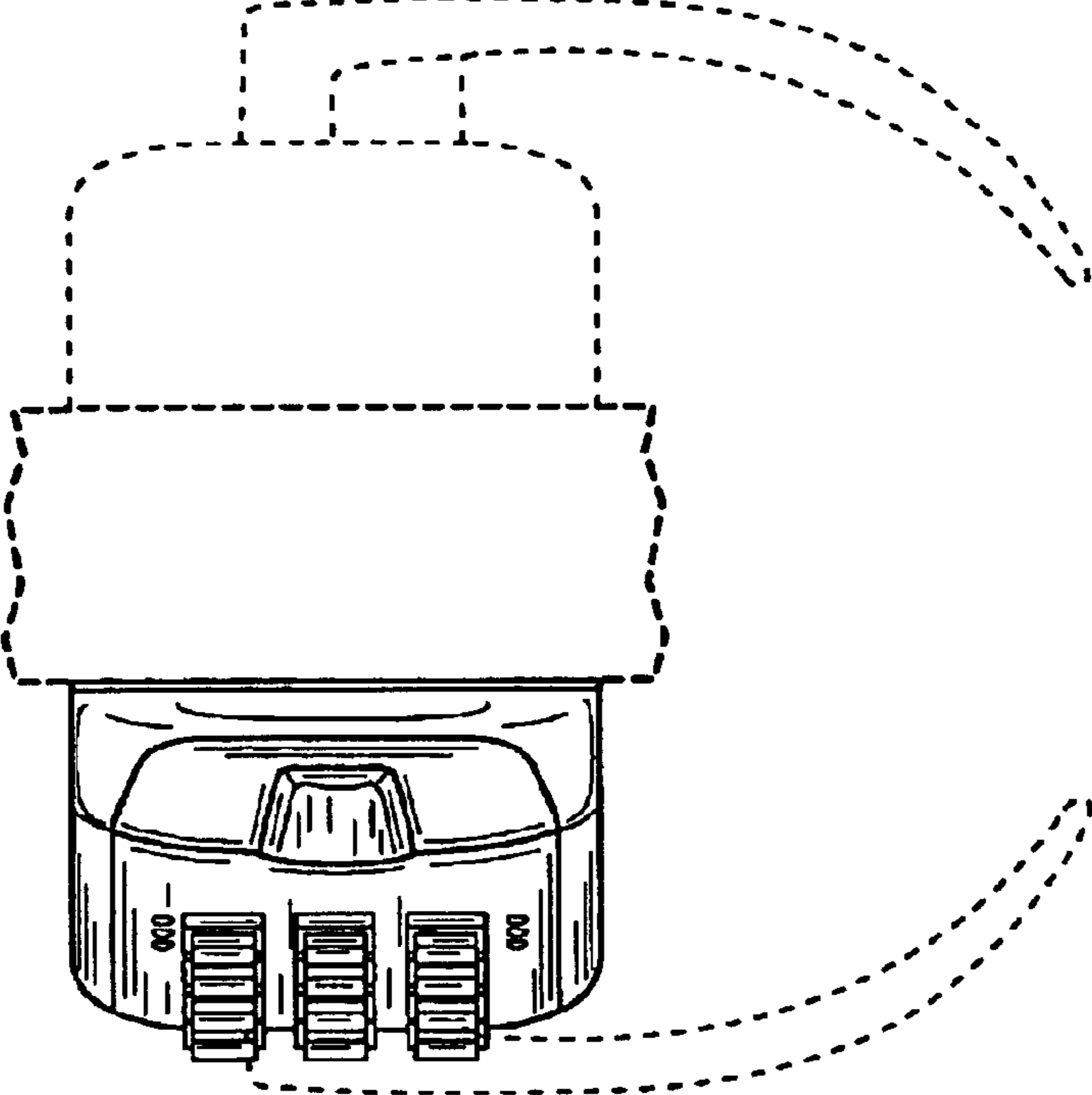


FIG. 6