

US00D495942S1

(12) **United States Design Patent**  
**Ramos et al.**

(10) **Patent No.:** **US D495,942 S**  
(45) **Date of Patent:** **\*\* Sep. 14, 2004**

(54) **DOOR HANDLE**

(75) Inventors: **João Marcos de Oliveira Ramos**, São Paulo (BR); **Ehab Kaoud**, Hutton (GB)

(73) Assignee: **Ford Global Technologies, LLC**, Dearborn, MI (US)

(\*\*) Term: **14 Years**

(21) Appl. No.: **29/162,742**

(22) Filed: **Jun. 20, 2002**

(30) **Foreign Application Priority Data**

Dec. 21, 2001 (BR) ..... DI 6103605

(51) **LOC (7) Cl.** ..... **08-06**

(52) **U.S. Cl.** ..... **D8/308**

(58) **Field of Search** ..... D8/300-302, 315-320;  
16/444, 438, DIG. 41; 292/347, 348, 336.3,  
DIG. 23, DIG. 37; 49/460; 70/423

(56) **References Cited**

**U.S. PATENT DOCUMENTS**

4,886,310 A \* 12/1989 Cyr et al. .... 292/336.3  
6,240,755 B1 \* 6/2001 Da Silva ..... 70/423

6,363,577 B1 \* 4/2002 Spitzley ..... 292/336.3  
6,401,302 B1 \* 6/2002 Josserand et al. .... 16/444  
D461,391 S \* 8/2002 Houdek et al. .... D8/320  
6,612,630 B1 \* 9/2003 Meinke ..... 292/348  
6,719,336 B2 \* 4/2004 Sato ..... 292/336.3

\* cited by examiner

*Primary Examiner*—Paula A. Greene

(74) *Attorney, Agent, or Firm*—David B. Kelley

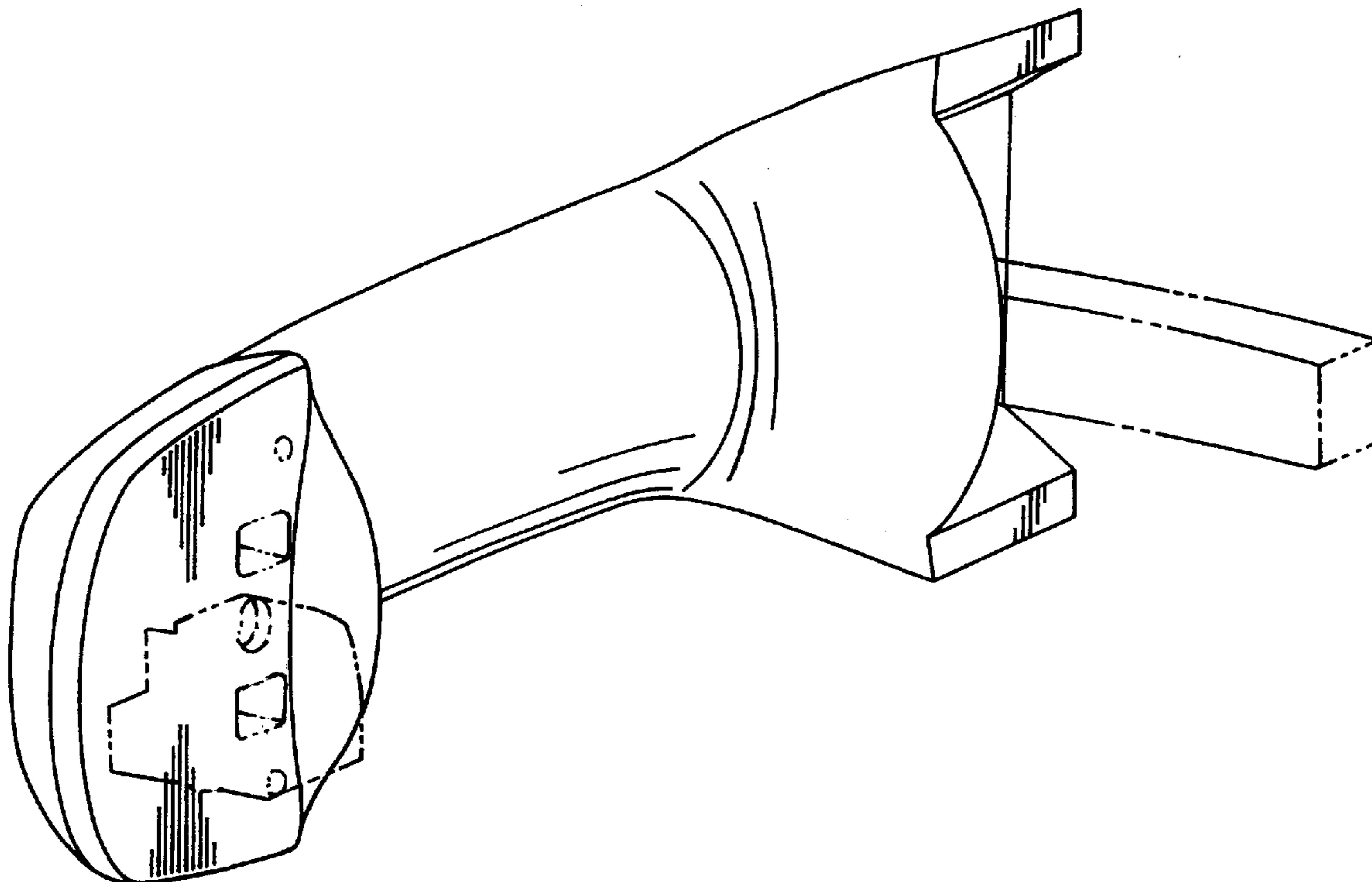
(57) **CLAIM**

The ornamental design for a door handle, as shown and described.

**DESCRIPTION**

FIG. 1 is a perspective view of a door handle;  
FIG. 2 is a bottom view of FIG. 1;  
FIG. 3 is a top view of FIG. 1;  
FIG. 4 is a rear view of FIG. 1;  
FIG. 5 is a front view of FIG. 1;  
FIG. 6 is a left side view of FIG. 1; and,  
FIG. 7 is a right side view of FIG. 1.  
The design is intended to be used in connection with a door handle for a vehicle. Exemplary attachment mechanisms are shown in hidden lines in the various Figures.

**1 Claim, 2 Drawing Sheets**



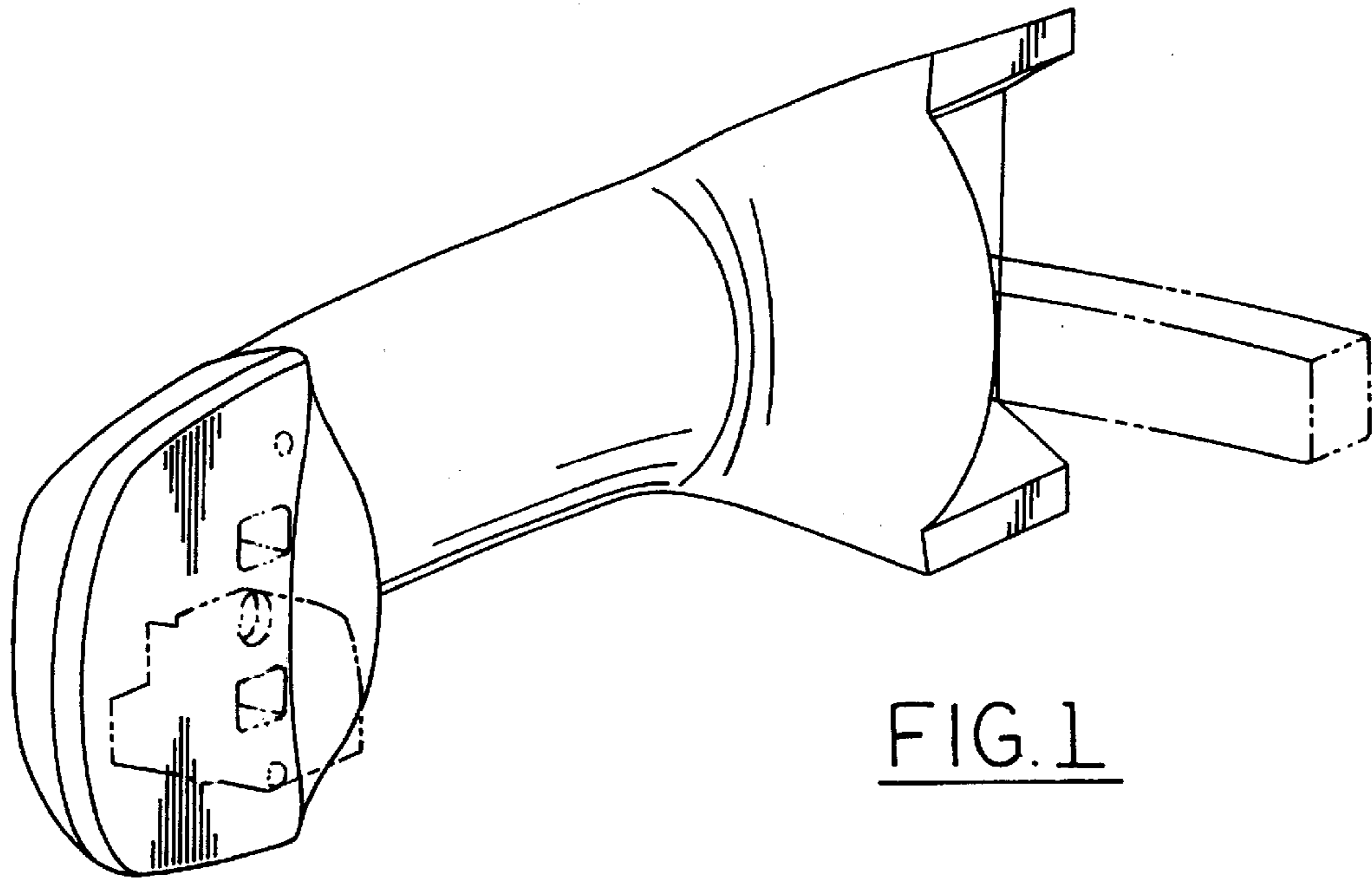


FIG. 1

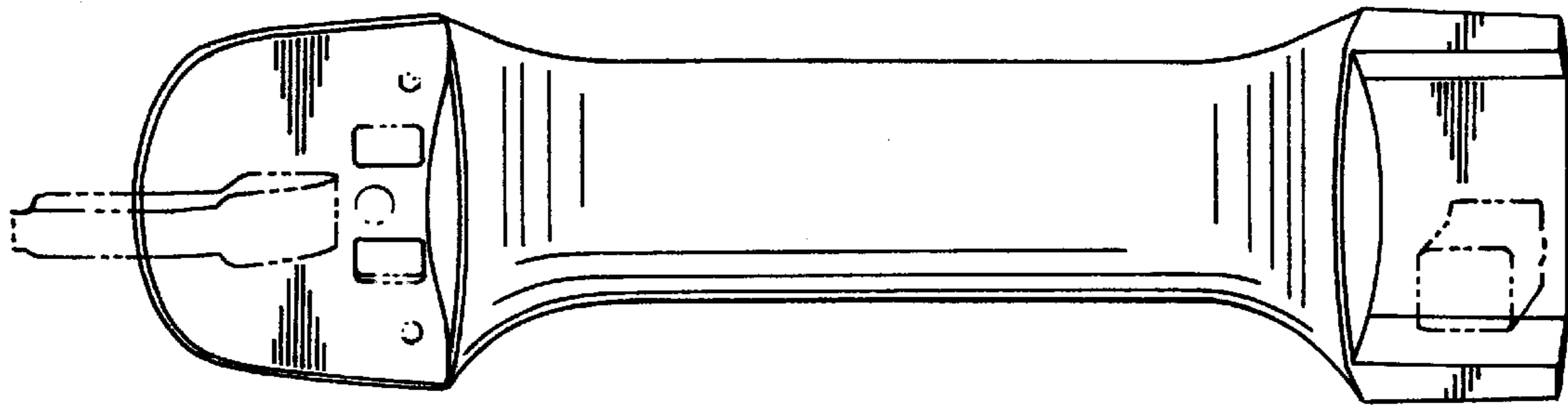


FIG. 2

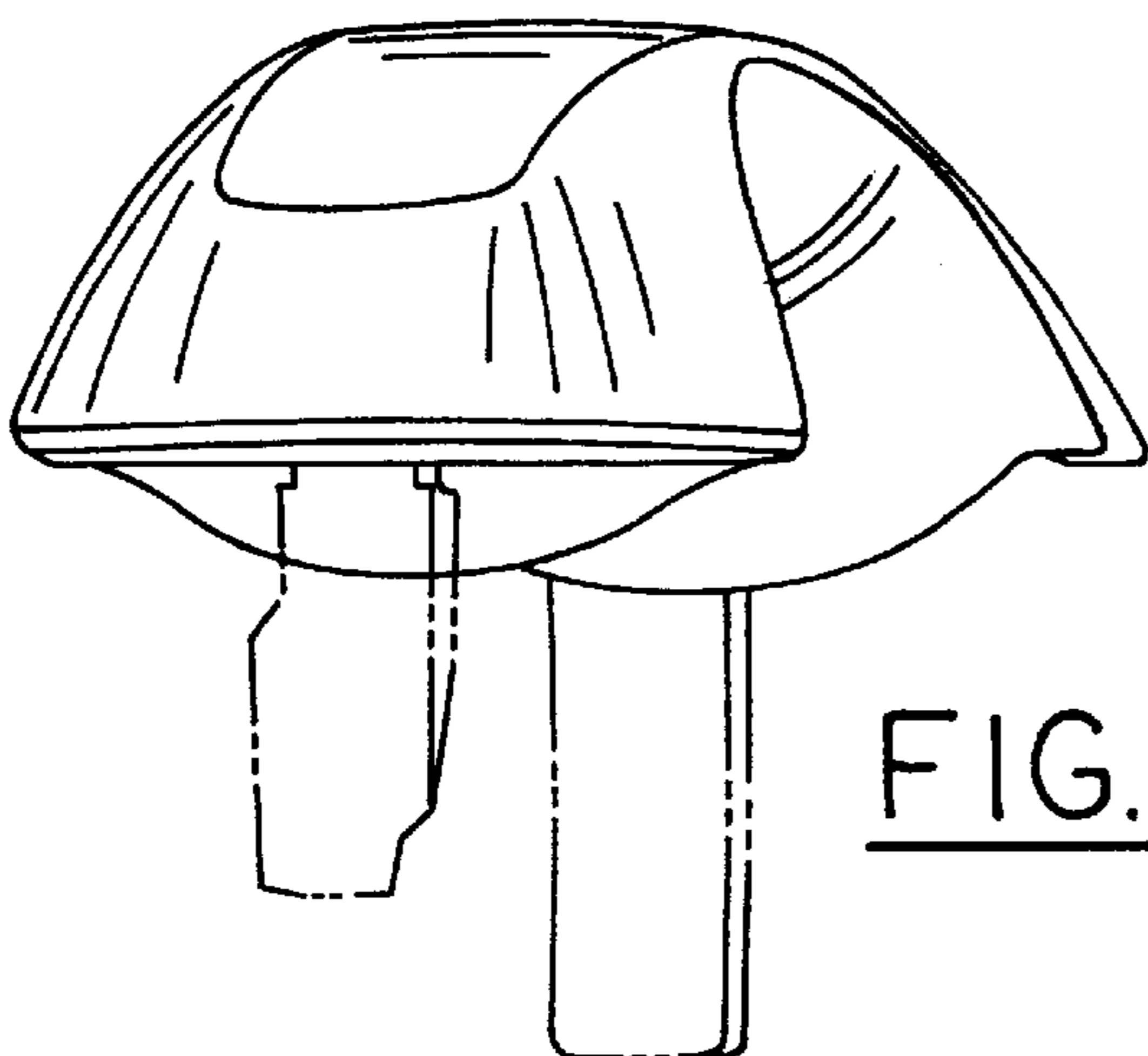


FIG. 6

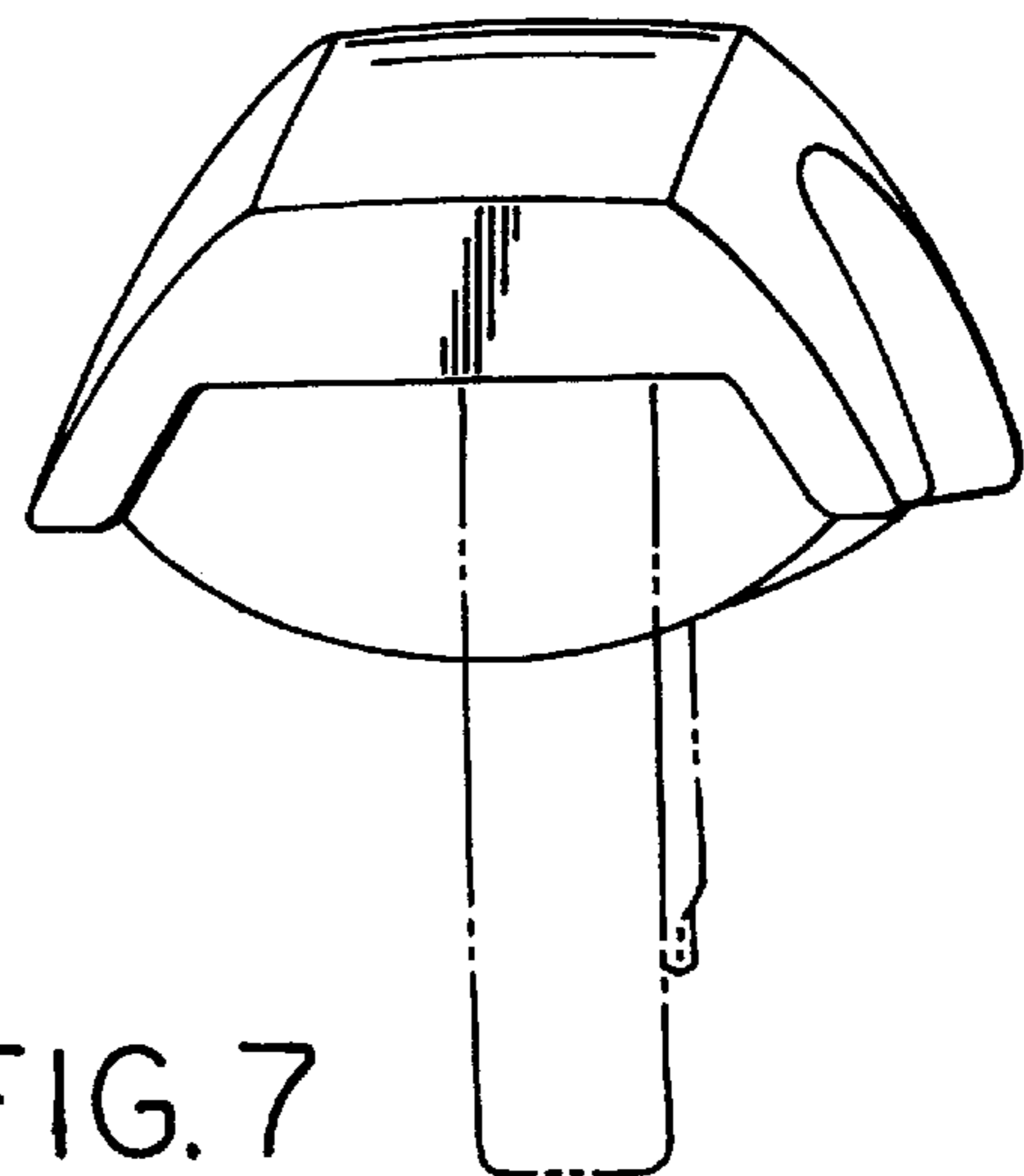


FIG. 7

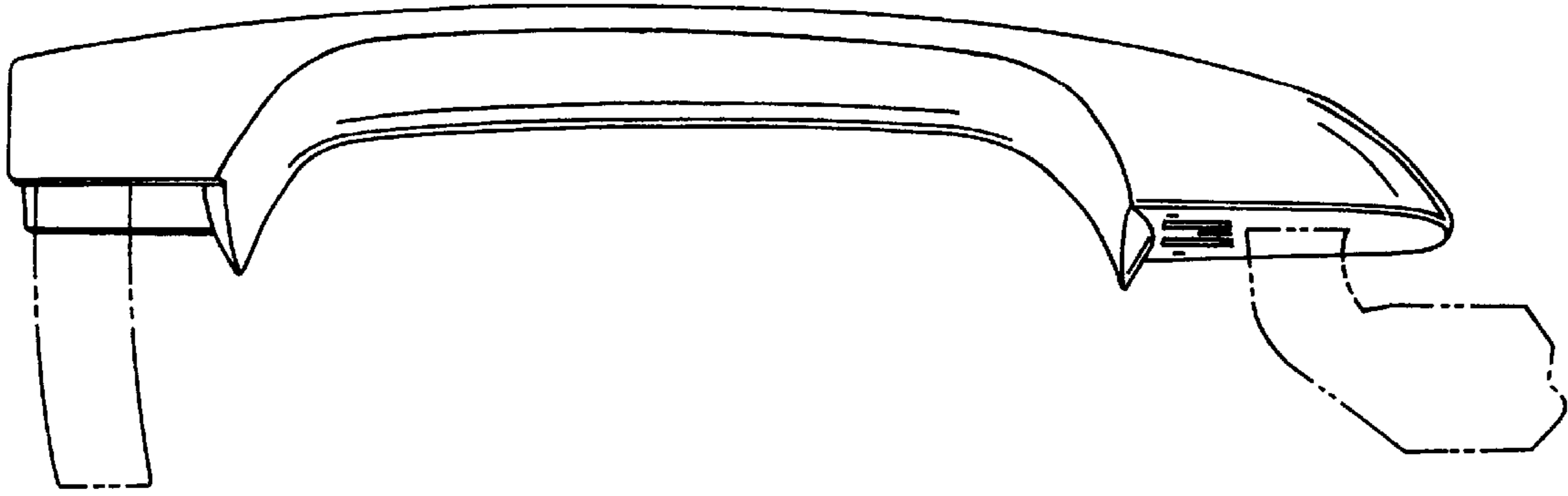


FIG. 4

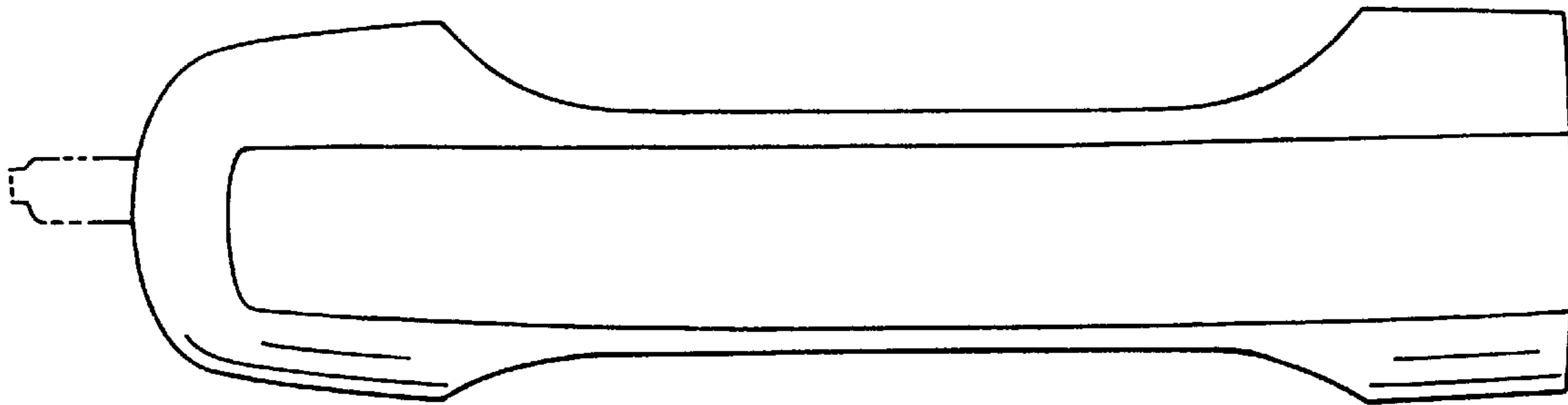


FIG. 3



FIG. 5