

US00D495937S1

(12) **United States Design Patent**
Kelleghan

(10) **Patent No.:** **US D495,937 S**

(45) **Date of Patent:** **** Sep. 14, 2004**

(54) **SURFBOARD SHAPED BOTTLE OPENER**

(75) **Inventor:** **Brian James Kelleghan**, Longmont,
CO (US)

(73) **Assignee:** **Bison Designs, L.L.C.**, Longmont, CO
(US)

(**) **Term:** **14 Years**

(21) **Appl. No.:** **29/191,035**

(22) **Filed:** **Sep. 30, 2003**

(51) **LOC (7) Cl.** **07-99**

(52) **U.S. Cl.** **D8/38; D3/211**

(58) **Field of Search** D8/16-19, 33-43,
D8/21, 26, 29; D11/157-162; 7/151-156,
118; 81/3.07-3.49, 52, 119-125.1, 177.1-177.6,
436, 437; D3/211

(56) **References Cited**

U.S. PATENT DOCUMENTS

D307,980 S 5/1990 Walters
D311,451 S 10/1990 Chan

D326,040 S 5/1992 Wysopal
D422,136 S 4/2000 Barrick
D447,675 S * 9/2001 Vaught D8/38
D454,037 S * 3/2002 Briscoe D8/38

* cited by examiner

Primary Examiner—Caron D. Veynar

(74) *Attorney, Agent, or Firm*—Margaret Polson; Patent
Law Offices of Rick Martin, P.C.

(57) **CLAIM**

The ornamental design for a surfboard shaped bottle opener,
as shown.

DESCRIPTION

FIG. 1 is a front side elevation of my new design for a
surfboard shaped bottle opener.

FIG. 2 is a back side elevation view of FIG. 1.

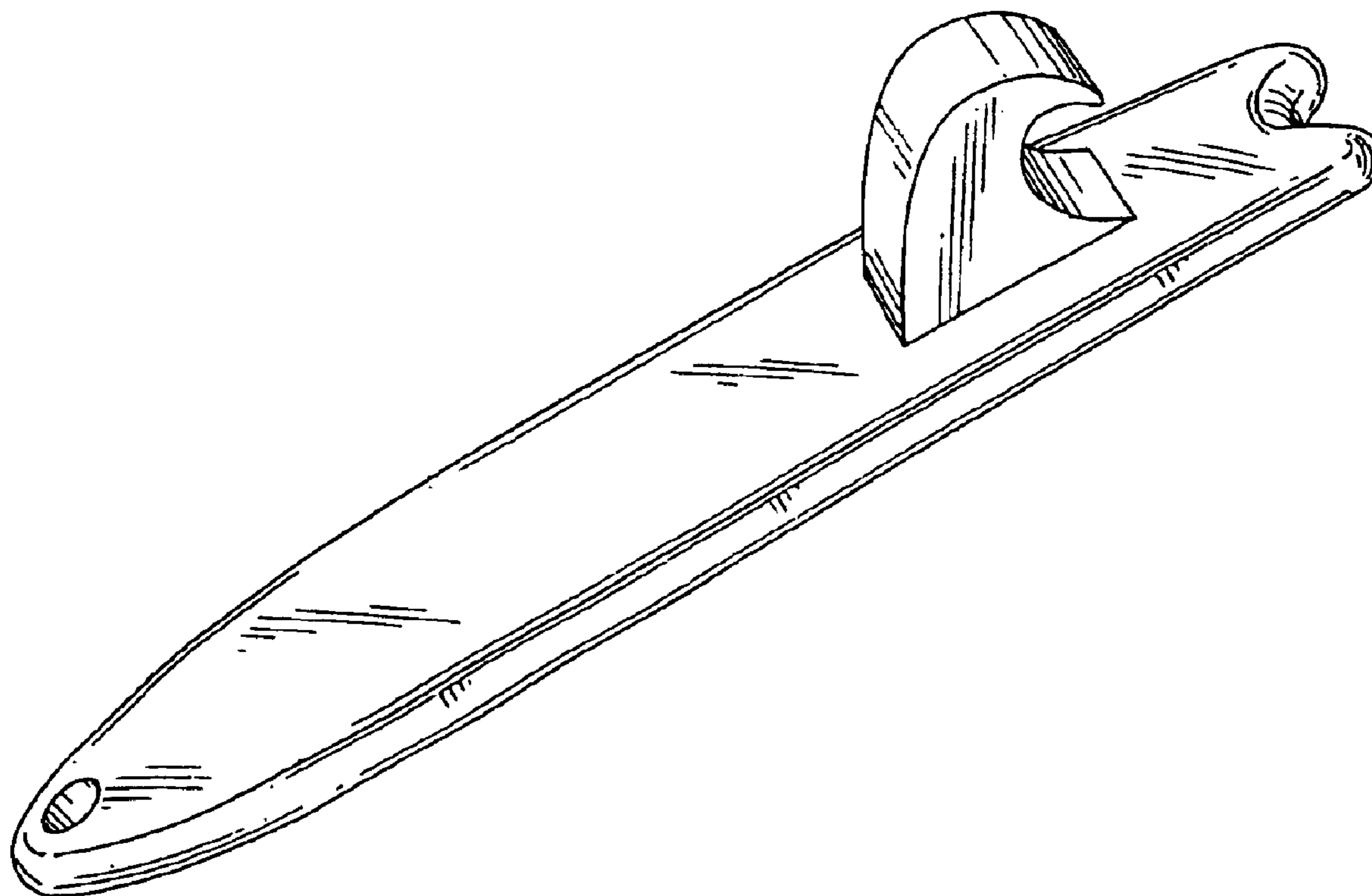
FIG. 3 is a bottom plan view of FIG. 1.

FIG. 4 is a top plan view of FIG. 1.

FIG. 5 is a side elevation view of the right and left sides,
which are mirror images, of FIG. 1; and,

FIG. 6 is a bottom perspective view of FIG. 1.

1 Claim, 1 Drawing Sheet



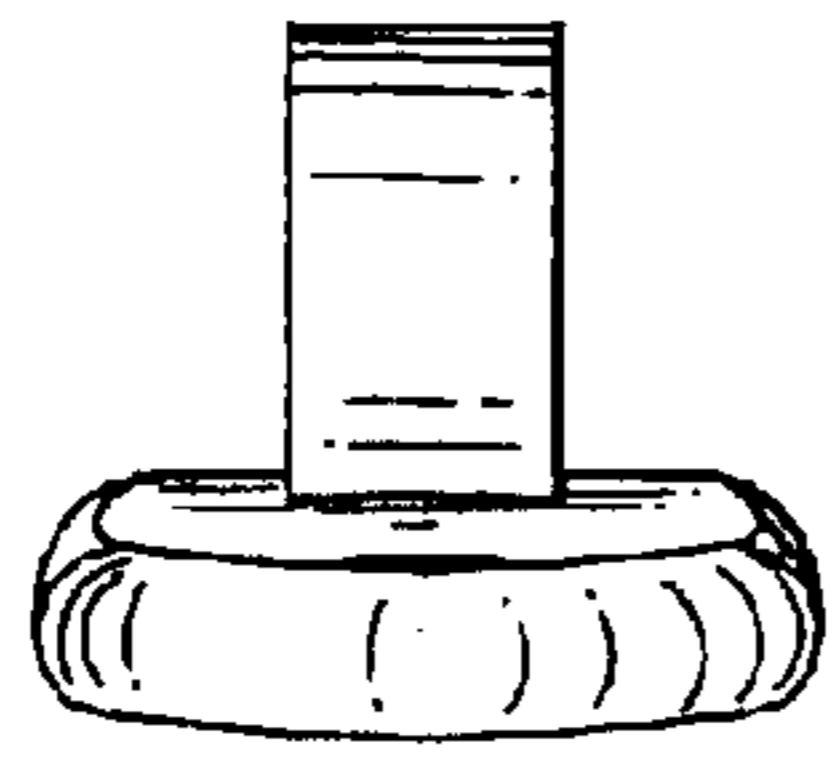


FIG. 1

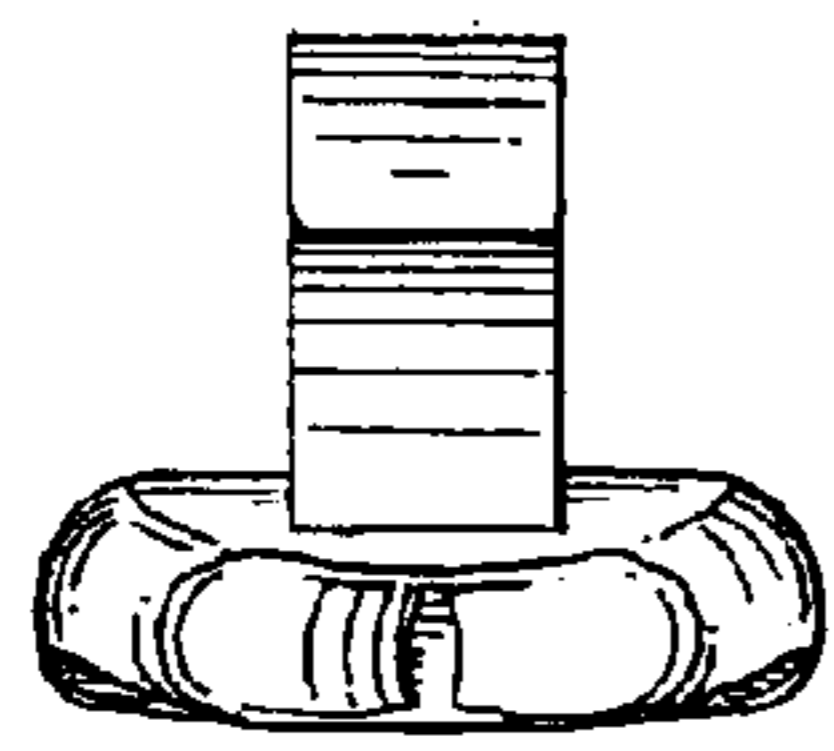


FIG. 2

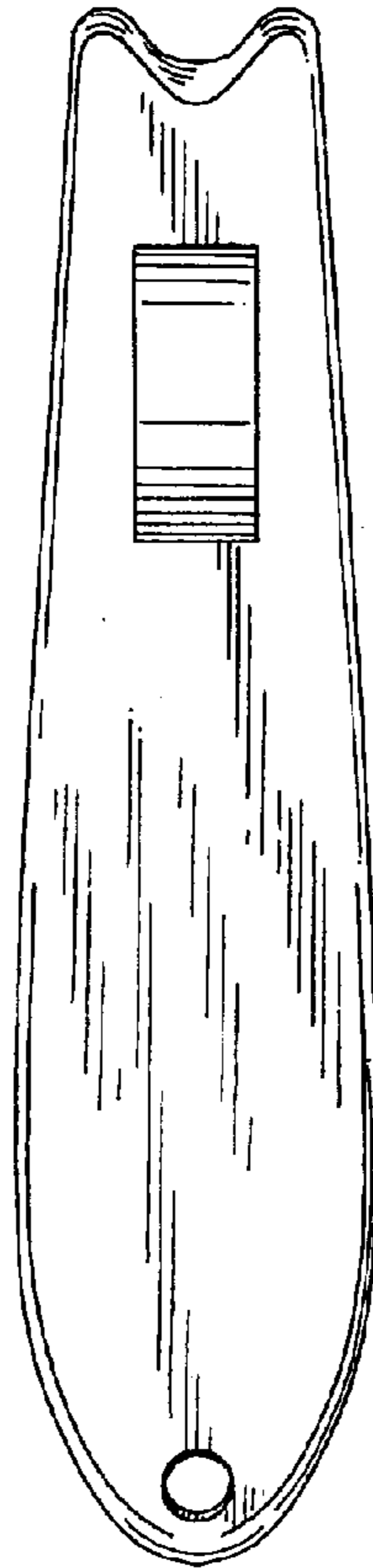


FIG. 3

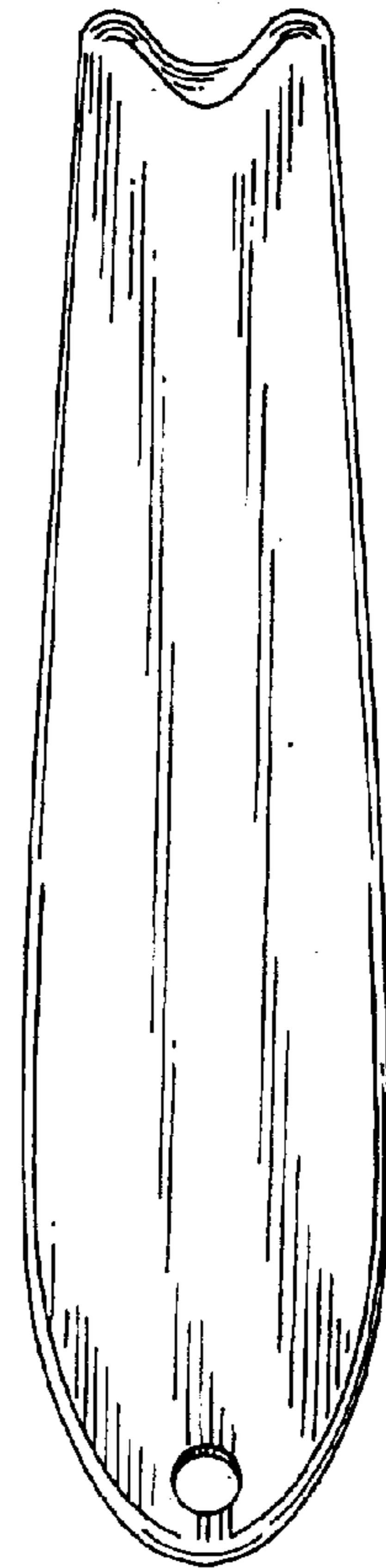


FIG. 4



FIG. 5

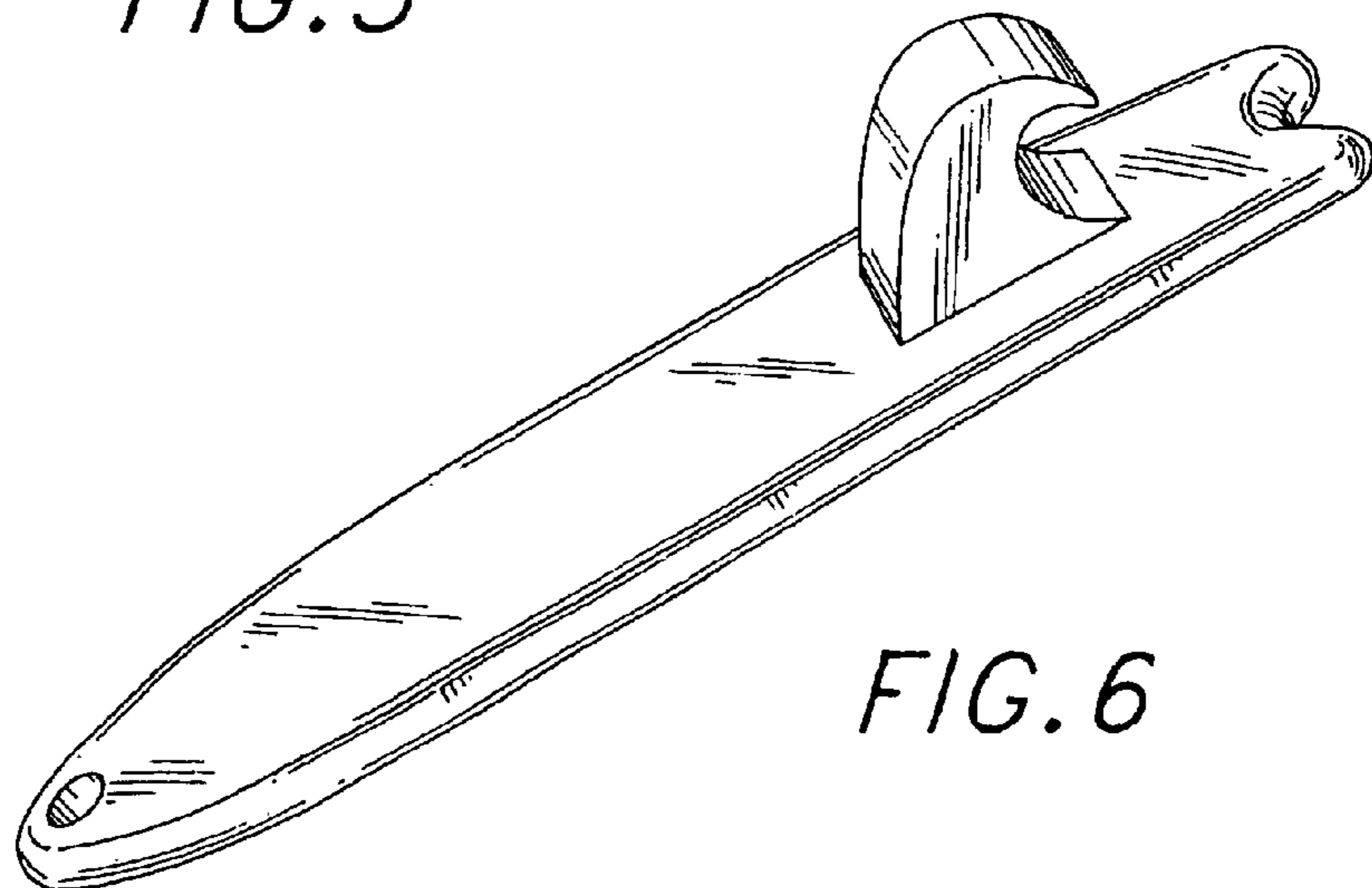


FIG. 6