

US00D495936S1

(12) **United States Design Patent**
Middleton

(10) **Patent No.:** **US D495,936 S**

(45) **Date of Patent:** **** Sep. 14, 2004**

(54) **SOCKET DRIVER**

D447,026 S * 8/2001 Barnes D8/29

(76) Inventor: **Brooks Middleton**, P.O. Box 423,
LaConner, WA (US) 98257

* cited by examiner

(**) Term: **14 Years**

Primary Examiner—Raphael Barkai
(74) *Attorney, Agent, or Firm*—Robert B. Hughes; Hughes
Law Firm, PLLC

(21) Appl. No.: **29/189,382**

(57) **CLAIM**

(22) Filed: **Sep. 3, 2003**

The ornamental design for a socket driver, as shown and
described.

(51) **LOC (7) Cl.** **08-05**

(52) **U.S. Cl.** **D8/29; D8/25**

(58) **Field of Search** D8/21–29; 81/177.85,
81/177.1, 489, 60–63.2

DESCRIPTION

(56) **References Cited**

U.S. PATENT DOCUMENTS

- 4,939,960 A * 7/1990 Kinzli 81/124.4
- D386,955 S * 12/1997 Jones et al. D8/25
- D433,894 S * 11/2000 Mathis D8/25
- D434,294 S * 11/2000 Bernel D8/29
- 6,240,809 B1 * 6/2001 Sasarak 81/60

FIG. 1 is a top plan view of the present invention;
FIG. 2 is a front elevational view thereof;
FIG. 3 is a side elevational view thereof;
FIG. 4 is a rear elevational view thereof;
FIG. 5 is a side elevational view of the present invention
taken from a side opposite of FIG. 3; and,
FIG. 6 is a bottom elevation view of the present invention.

1 Claim, 3 Drawing Sheets

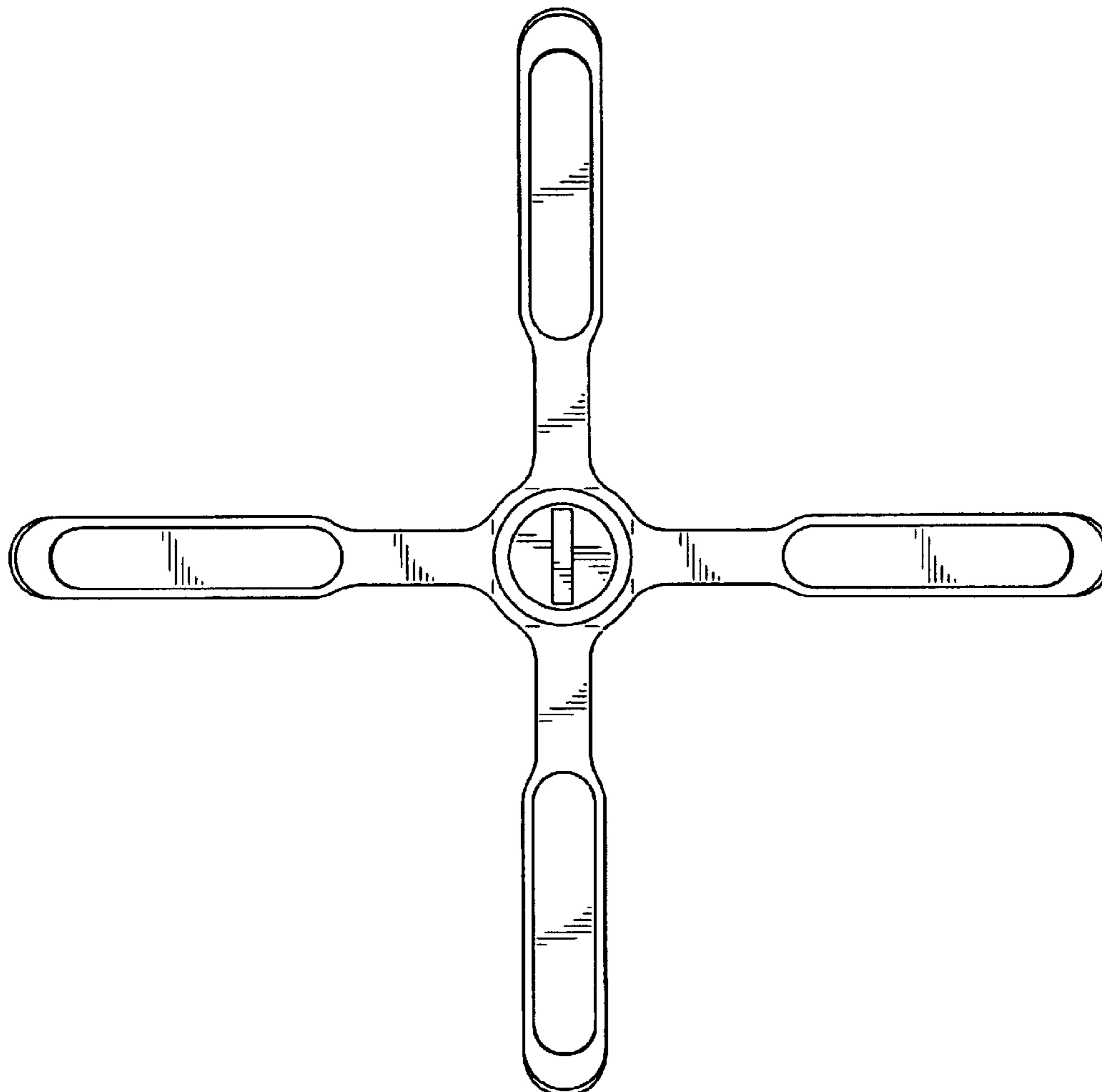


FIG. 1

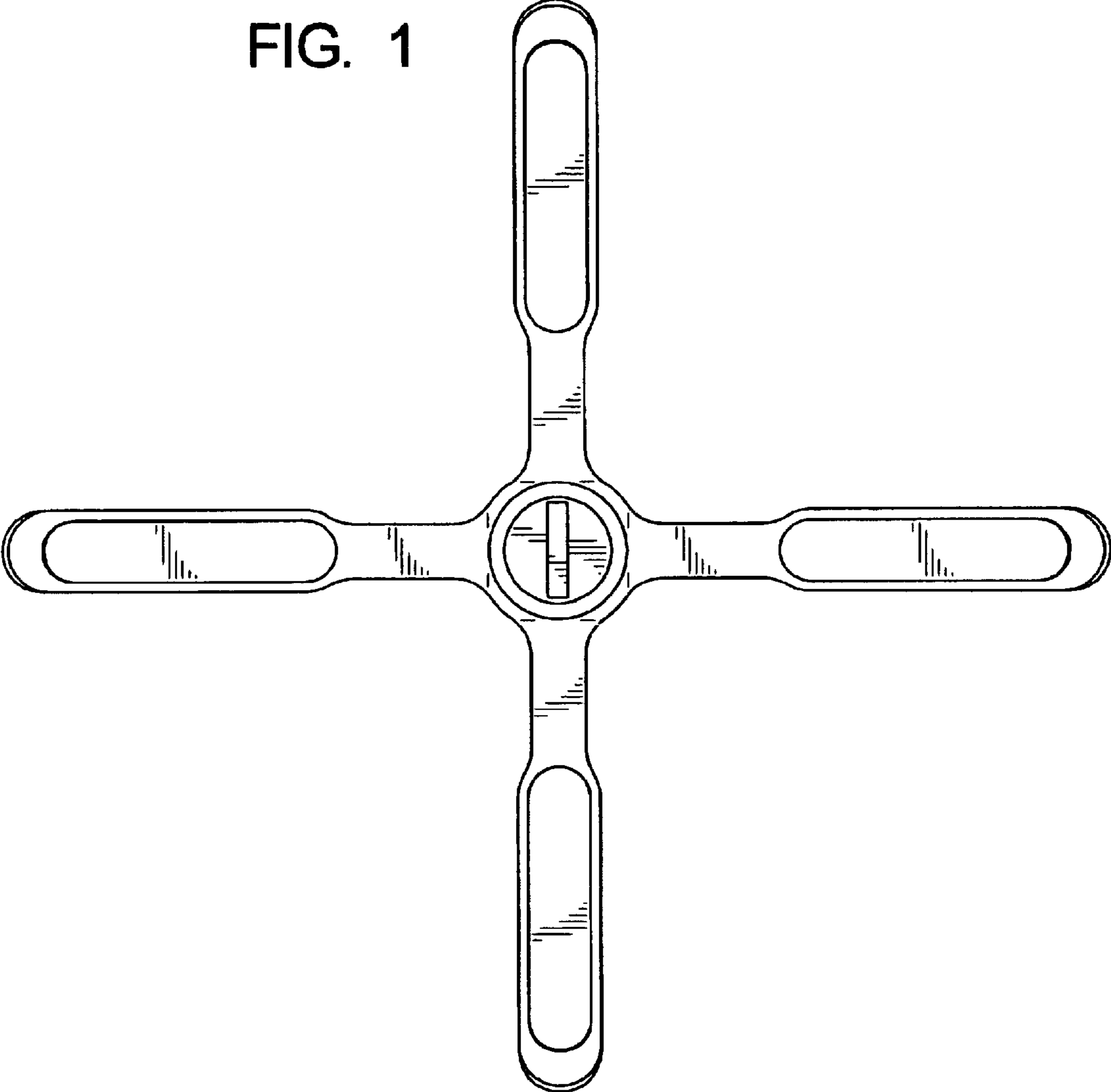


FIG. 2

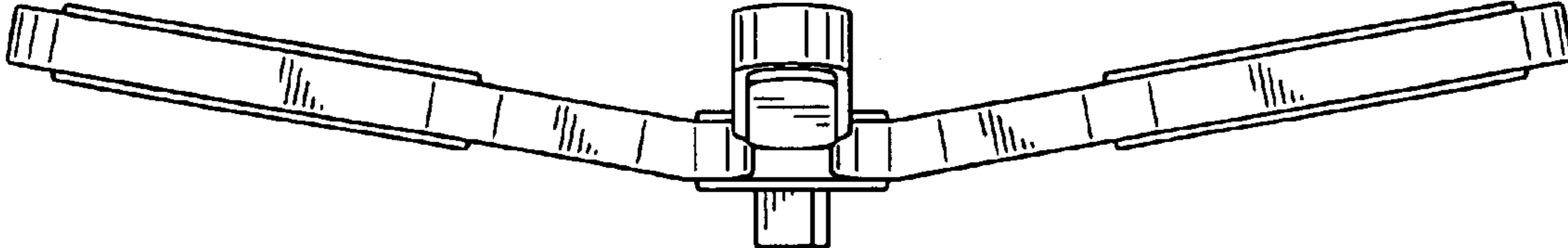


FIG. 3

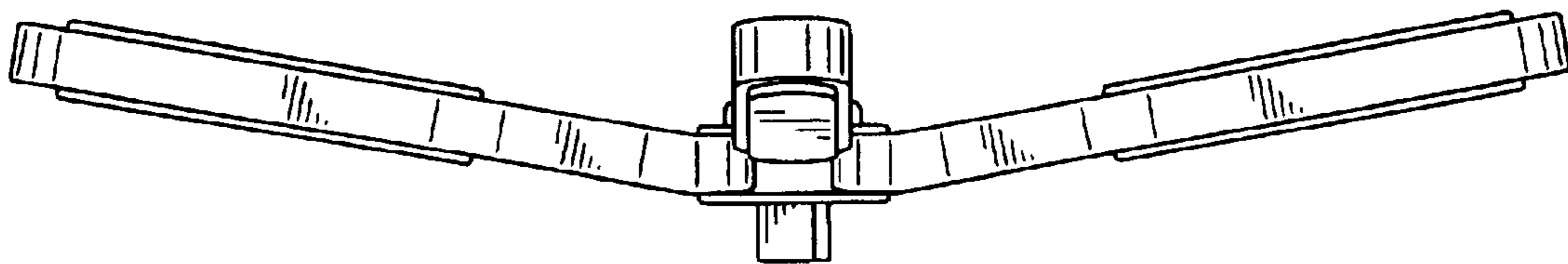


FIG. 4

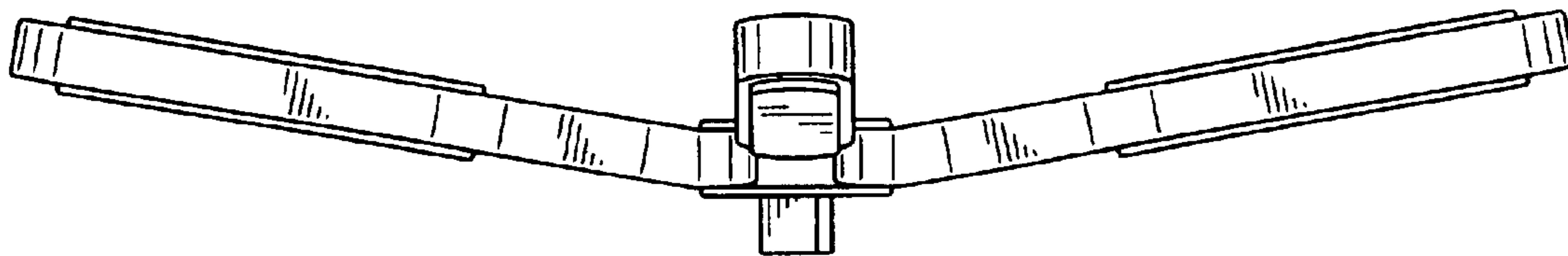


FIG. 5

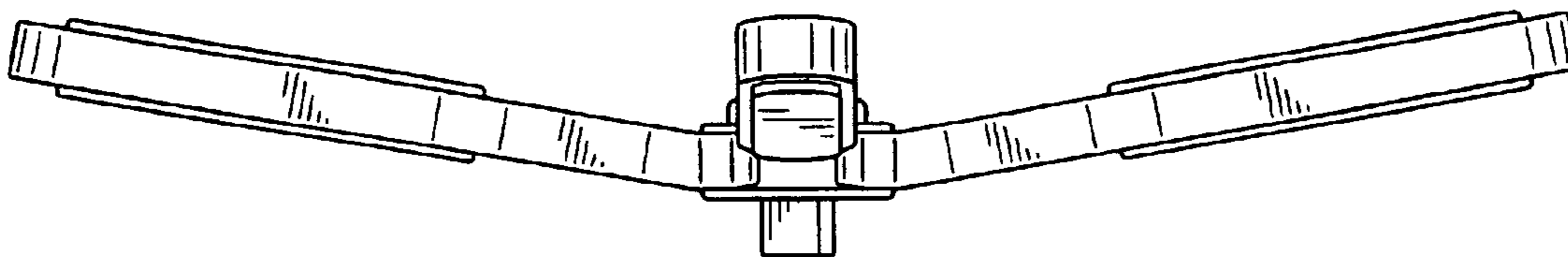


FIG. 6

