

US00D495933S1

(12) **United States Design Patent**  
**Eldar**

(10) **Patent No.:** **US D495,933 S**

(45) **Date of Patent:** **\*\* Sep. 14, 2004**

(54) **INSERTER COMPONENT FOR IRRIGATION TOOL**

(76) **Inventor:** **Mordechai Eldar**, Odem Street 12,  
60406 Or Yehuda (IL)

(\*\*) **Term:** **14 Years**

(21) **Appl. No.:** **29/192,484**

(22) **Filed:** **Oct. 24, 2003**

(51) **LOC (7) Cl.** ..... **08-01**

(52) **U.S. Cl.** ..... **D8/1**

(58) **Field of Search** ..... **D8/1; 285/5; 239/272**

(56) **References Cited**

**U.S. PATENT DOCUMENTS**

D325,238 S	*	4/1992	Pokkinen et al.	.....	D8/1
5,658,249 A	*	8/1997	Beland et al.	.....	604/33
2002/0096023 A1	*	7/2002	Sanford	.....	81/124.2

\* cited by examiner

*Primary Examiner*—Holly Baynham  
(74) *Attorney, Agent, or Firm*—Ostrolenk, Faber, Gerb & Soffen, LLP

(57) **CLAIM**

The ornamental design for a inserter component for irrigation tool, as shown and described.

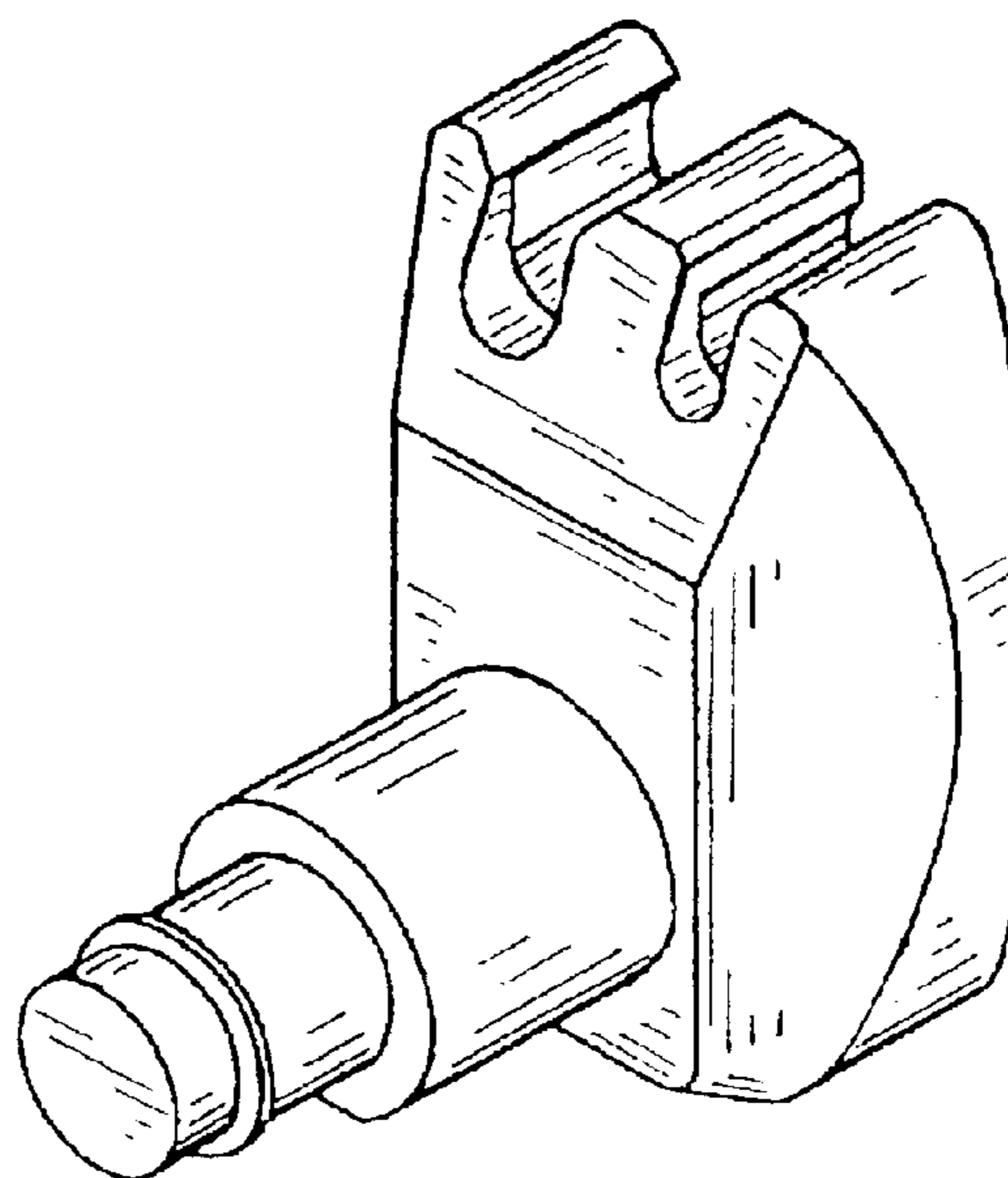
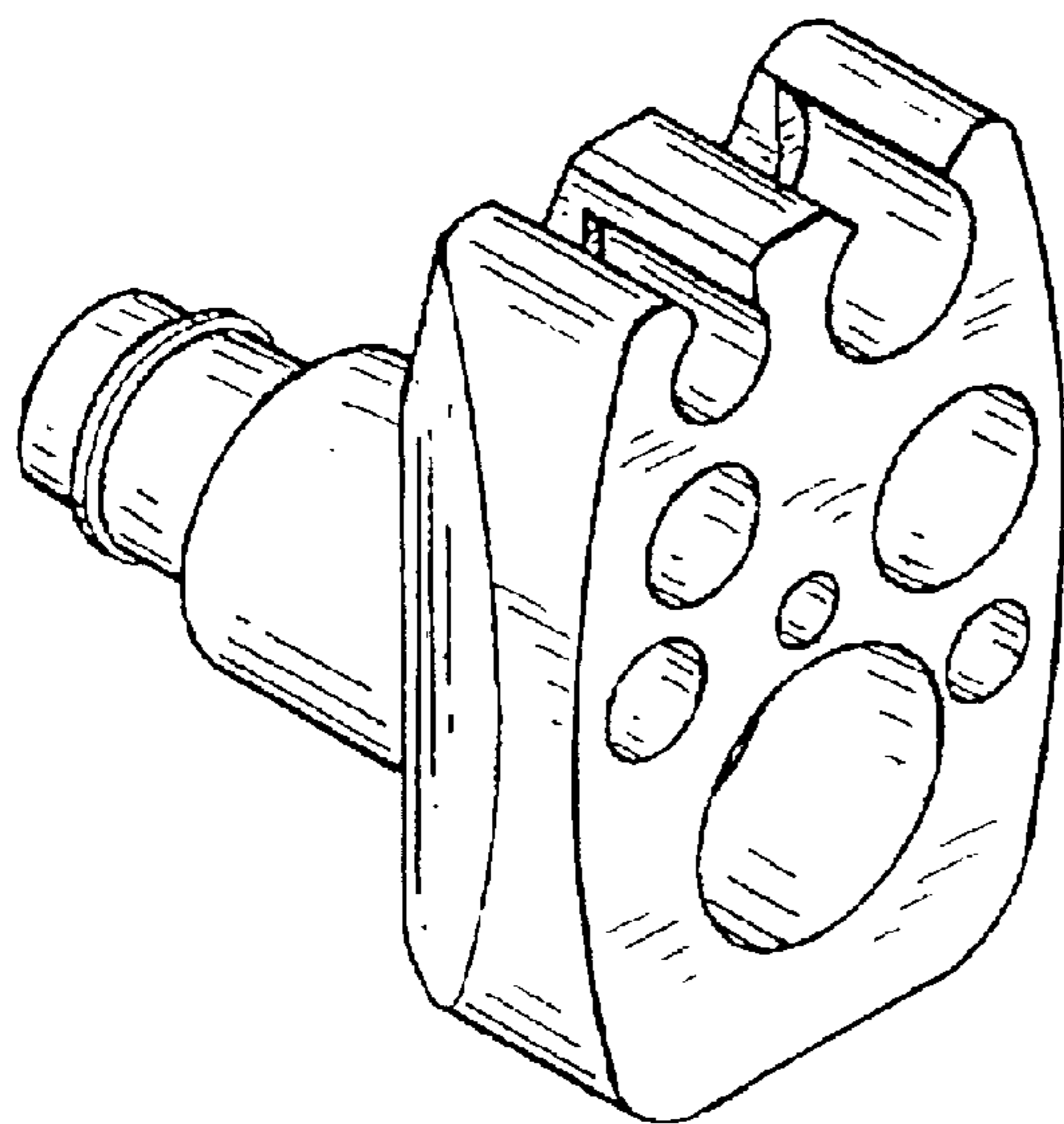
**DESCRIPTION**

FIG. 1 is a rear elevational view, partially in perspective, of the inserter component of the present invention.

FIG. 2 is a right side view, partially in perspective, of the inserter component of the present invention, the left hand side being symmetrical; and,

FIG. 3 is a front elevational view, partially in perspective, of the inserter component of the present invention.

**1 Claim, 1 Drawing Sheet**



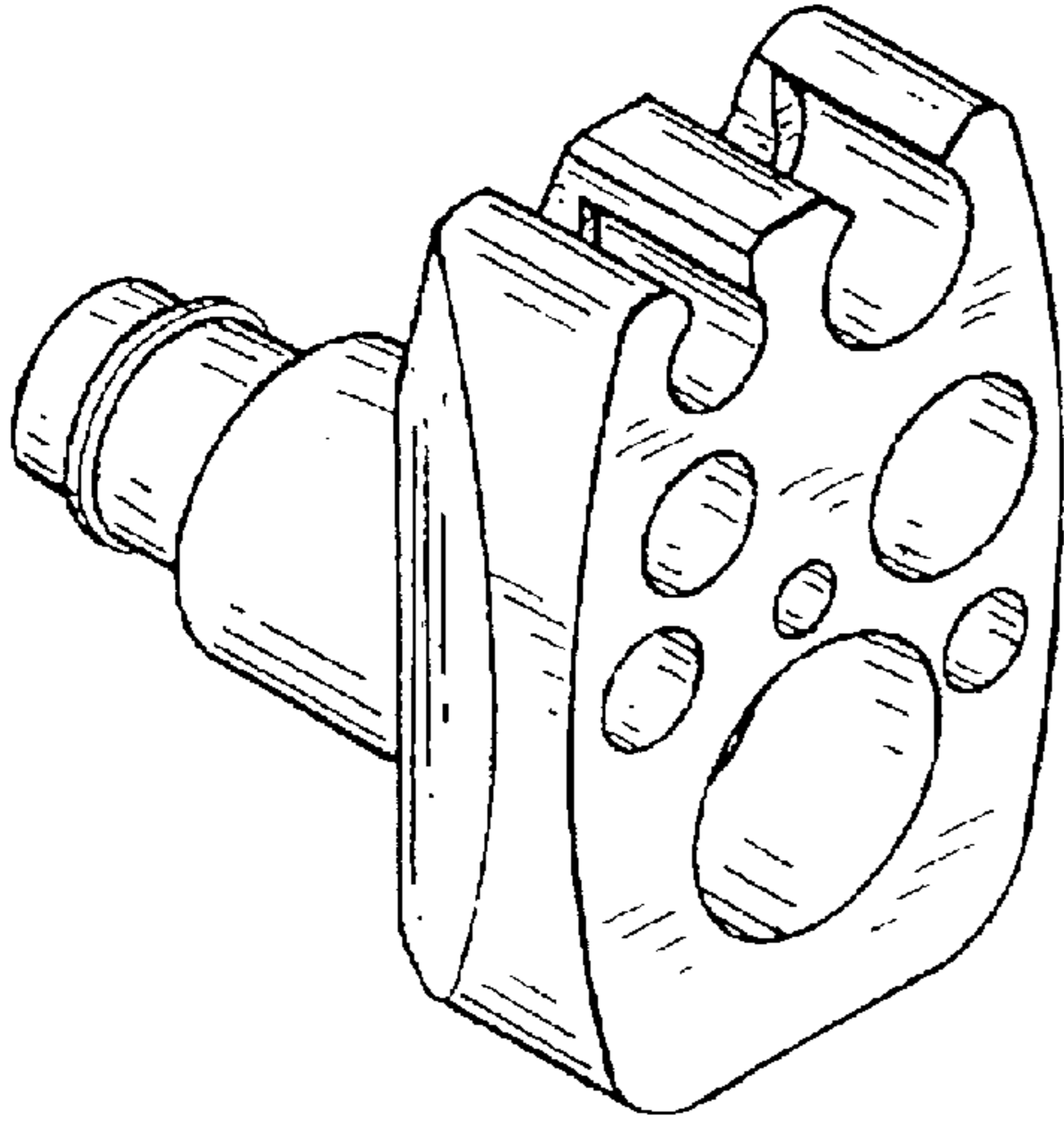


FIG. 1

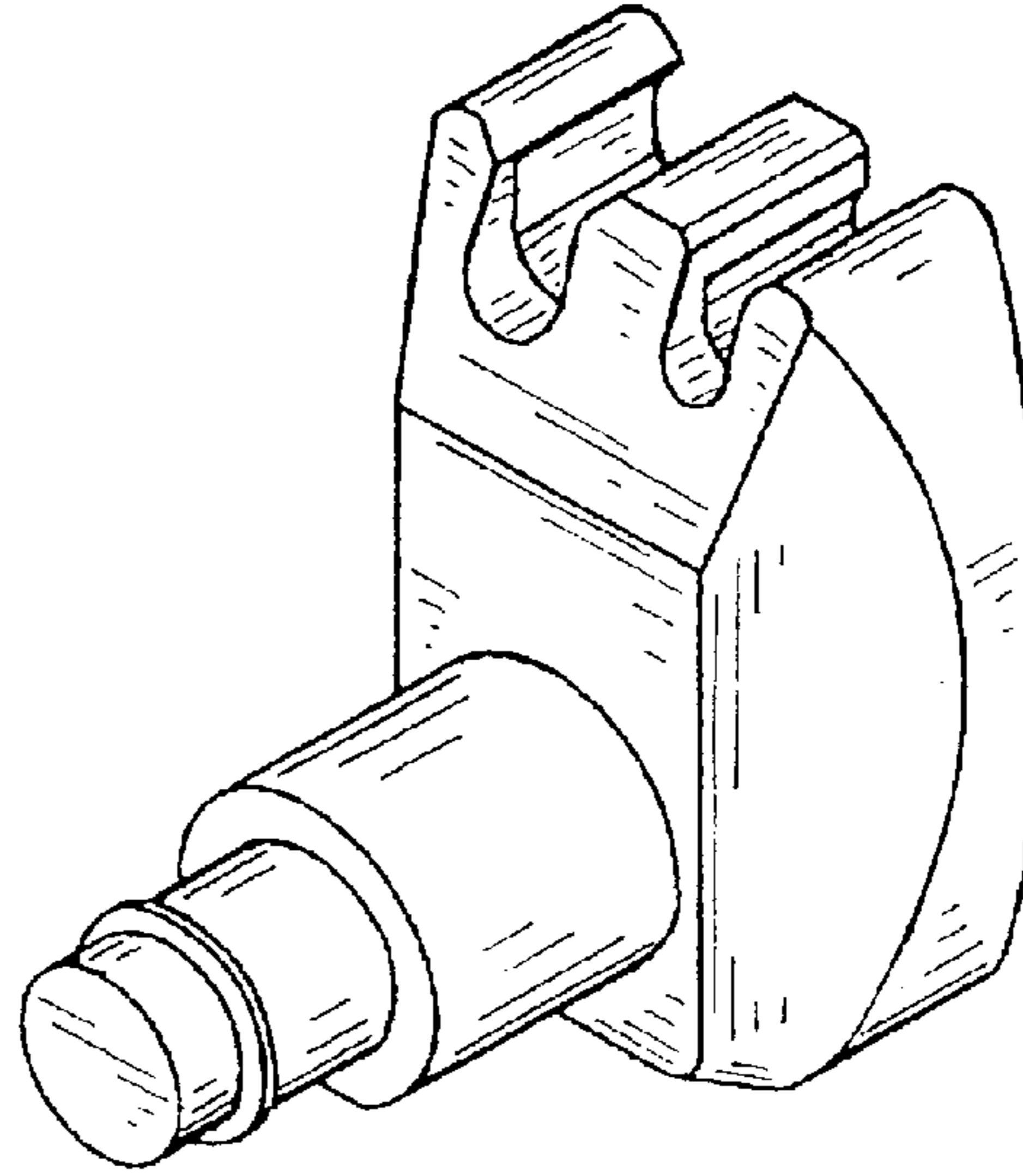


FIG. 2

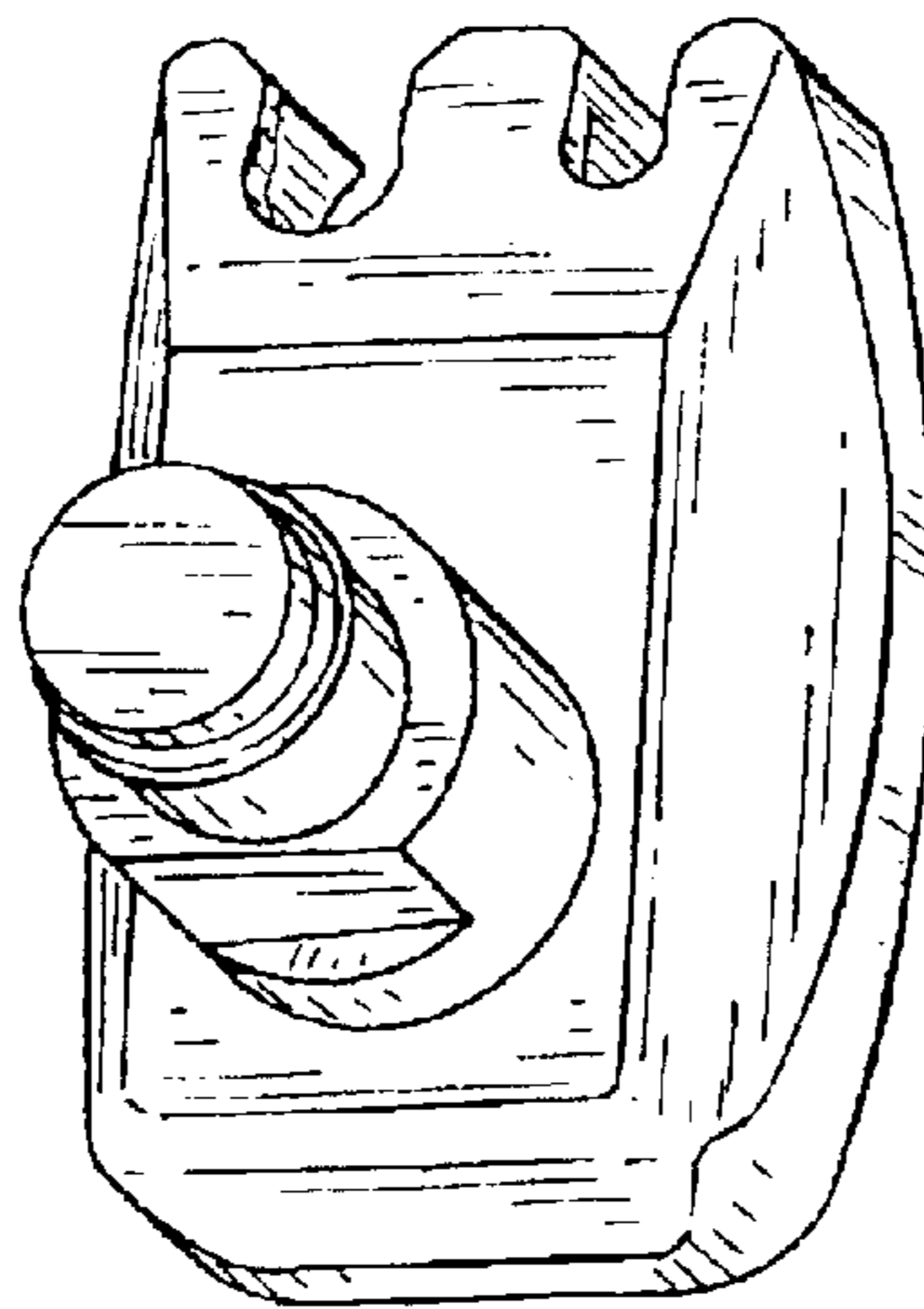


FIG. 3